

US00D696049S

(12) **United States Design Patent**
Hsu et al.

(10) **Patent No.:** **US D696,049 S**
(45) **Date of Patent:** **** Dec. 24, 2013**

- (54) **BASKET ORGANIZER**
- (71) Applicant: **Seville Classics, Inc.**, Torrance, CA (US)
- (72) Inventors: **Li-Han Hsu**, Torrance, CA (US);
Cynthia J. Luff, Redondo Beach, CA (US)
- (73) Assignee: **Seville Classics Inc.**, Torrance, CA (US)
- (**) Term: **14 Years**
- (21) Appl. No.: **29/456,381**
- (22) Filed: **May 30, 2013**
- (51) **LOC (9) Cl.** **06-06**
- (52) **U.S. Cl.**
USPC **D6/675.2**
- (58) **Field of Classification Search**
USPC D3/304-315, 320, 201-202,
D3/203.1-203.3, 205-206, 273, 276;
D6/449-451, 458, 462-465, 475-476,
D6/525, 672, 675, 675.2-675.3; D19/75,
D19/77, 86, 90, 92, 100; 206/203, 214-215,
206/822, 307.1; 229/100, 915, 406
See application file for complete search history.

D433,711 S	11/2000	Andujar	
D433,712 S	11/2000	Walsh	
D434,074 S	11/2000	Hardy	
D446,409 S	* 8/2001	Walters-Dowding et al.	. D6/465
D449,074 S	10/2001	Andujar	
D450,453 S	11/2001	Andujar	
D450,481 S	* 11/2001	Post D6/465
D451,675 S	12/2001	Hardy et al.	
D452,394 S	* 12/2001	Walters-Dowding et al.	. D6/464
D453,027 S	1/2002	Andujar	
D455,292 S	4/2002	Hardy et al.	
D458,799 S	6/2002	Andujar	
D471,033 S	* 3/2003	Yamaguchi D6/465
D471,381 S	* 3/2003	Yamaguchi D6/465
D473,592 S	4/2003	Hardy et al.	
D473,732 S	4/2003	Hardy et al.	
D474,870 S	5/2003	Post et al.	
D475,411 S	6/2003	Hardy et al.	
D476,155 S	6/2003	Post et al.	
D479,272 S	9/2003	Hardy et al.	
D481,233 S	10/2003	Post et al.	

(Continued)

Primary Examiner — Kelley Donnelly
(74) *Attorney, Agent, or Firm* — Raymond Sun

(57) **CLAIM**
The ornamental design for a basket organizer, as shown and described.

DESCRIPTION

FIG. 1 is a perspective view of a basket organizer showing my new design.
FIG. 2 is a front plan view thereof;
FIG. 3 is a rear plan view thereof;
FIG. 4 is a right plan view thereof;
FIG. 5 is a left plan view thereof;
FIG. 6 is a top plan view thereof;
FIG. 7 is a bottom plan view thereof; and,
FIG. 8 is a perspective view with baskets partially removed from the frame.

1 Claim, 8 Drawing Sheets

- (56) **References Cited**
U.S. PATENT DOCUMENTS
- 921,694 A * 5/1909 Hall 211/126.11
- D330,987 S * 11/1992 Rosenthal D6/566
- D348,760 S * 7/1994 Linder D3/306
- D364,288 S * 11/1995 Kramer et al. D6/465
- D373,039 S * 8/1996 Cohen et al. D6/566
- 5,996,812 A * 12/1999 Sokol, Jr. 211/11
- D419,302 S 1/2000 Hardy et al.
- D431,907 S 10/2000 Andujar et al.
- D432,752 S 10/2000 Andujar et al.
- D433,709 S * 11/2000 Hardy D19/75
- D433,710 S 11/2000 Andujar



(56)

References Cited

U.S. PATENT DOCUMENTS

D486,981 S	2/2004	Post et al.	D530,517 S	10/2006	Hardy et al.	
D488,334 S	4/2004	Post et al.	D544,250 S *	6/2007	Daugherty et al.	D6/463
D488,511 S	4/2004	Hardy	D544,251 S *	6/2007	Daugherty et al.	D6/463
D488,659 S	4/2004	Post et al.	D545,060 S	6/2007	Cheng	
D488,660 S	4/2004	Post et al.	D551,454 S	9/2007	Cheng	
6,718,635 B2	4/2004	Cheng et al.	7,270,245 B2	9/2007	Cheng et al.	
D489,906 S	5/2004	Hardy et al.	D554,896 S	11/2007	Post	
D492,112 S	6/2004	Hardy	D565,334 S	4/2008	Post et al.	
D492,360 S	6/2004	Hardy	D567,553 S	4/2008	Post	
D496,514 S	9/2004	Post et al.	D573,654 S	7/2008	Hardy et al.	
D498,375 S	11/2004	Post et al.	7,428,976 B2	9/2008	Cheng et al.	
D501,105 S	1/2005	Post et al.	D579,691 S *	11/2008	Snider	D6/463
D502,584 S	3/2005	Post et al.	D582,161 S	12/2008	Hardy et al.	
D503,059 S	3/2005	Post et al.	D584,055 S	1/2009	Hardy et al.	
D513,874 S	1/2006	Hardy et al.	D588,840 S *	3/2009	Dretzka	D6/462
D514,318 S	2/2006	Post et al.	D603,188 S *	11/2009	Wang	D6/462
7,004,347 B1	2/2006	Walsh	7,617,941 B2 *	11/2009	Colin et al.	211/59.2
D516,347 S	3/2006	Post et al.	D610,769 S	2/2010	Post	
D516,814 S	3/2006	Post et al.	D624,753 S *	10/2010	Post et al.	D3/306
D517,769 S	3/2006	Post et al.	D632,080 S	2/2011	Hardy et al.	
7,021,927 B1	4/2006	Gryzlak	D636,998 S	5/2011	Post et al.	
7,028,620 B1	4/2006	Lyndon	D639,561 S	6/2011	Post et al.	
D520,750 S	5/2006	Post et al.	D643,686 S *	8/2011	Tiemann	D7/600.4
D521,238 S	5/2006	Everett et al.	D644,069 S *	8/2011	Tiemann	D7/600.4
D523,245 S	6/2006	Post	8,006,858 B2	8/2011	Hardy et al.	
D524,154 S	7/2006	Post	D653,063 S *	1/2012	Post et al.	D6/510
D524,542 S	7/2006	Hardy	D657,563 S	4/2012	Hardy et al.	
D526,192 S	8/2006	Post	D658,881 S	5/2012	Hardy et al.	
D526,754 S	8/2006	Hardy et al.	D660,652 S *	5/2012	Tiemann	D7/600.1
D527,767 S	9/2006	Hardy	D670,943 S *	11/2012	Hertaus	D6/510
D528,300 S	9/2006	Hardy et al.	D673,369 S	1/2013	Hardy et al.	
D528,303 S	9/2006	Hillerich	D675,849 S *	2/2013	Tawil	D6/705
			D677,056 S *	3/2013	Hu	D3/306
			D683,567 S *	6/2013	Hsu et al.	D6/675.2

* cited by examiner

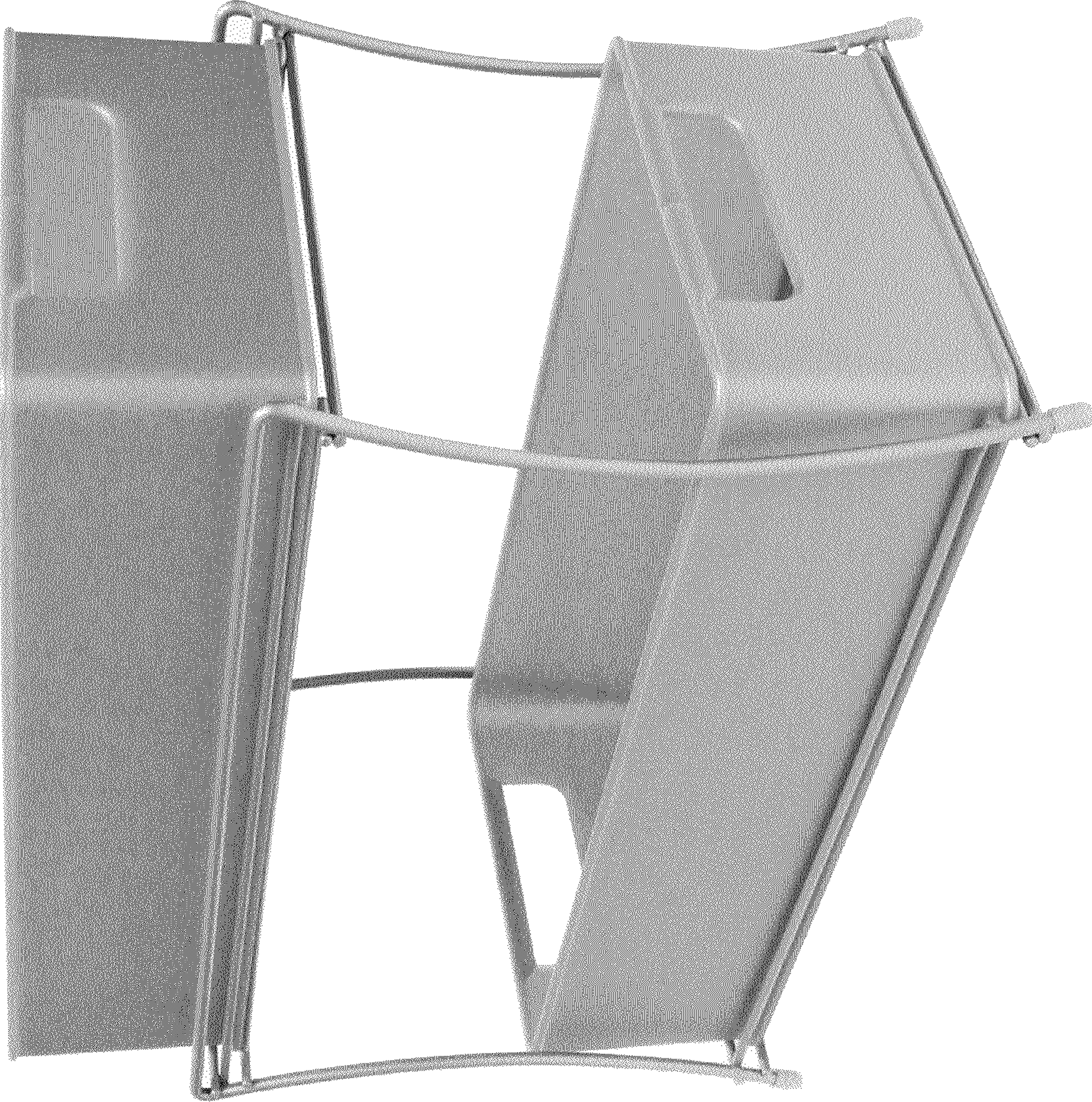


FIG. 1

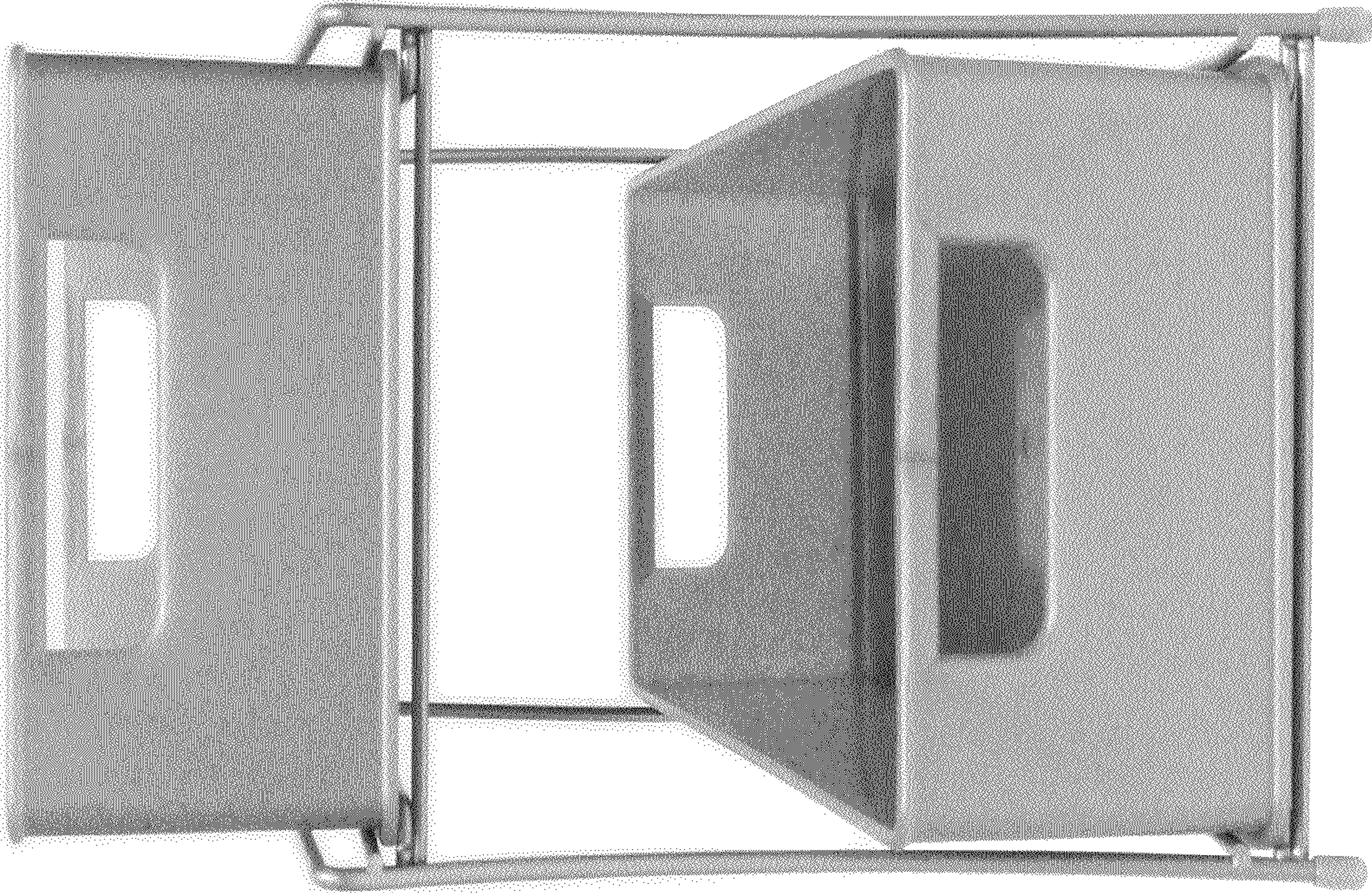


FIG. 2

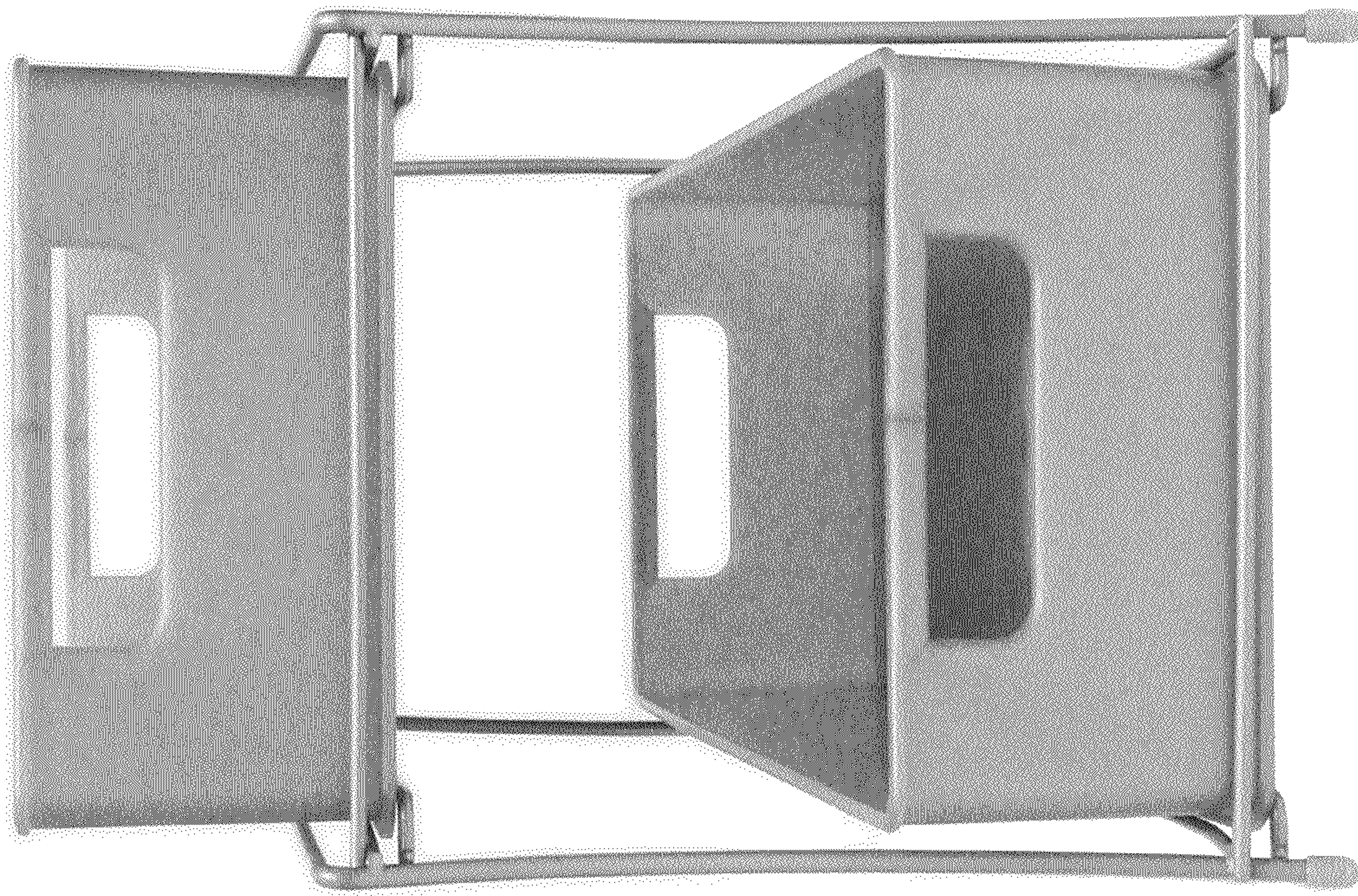


FIG. 3

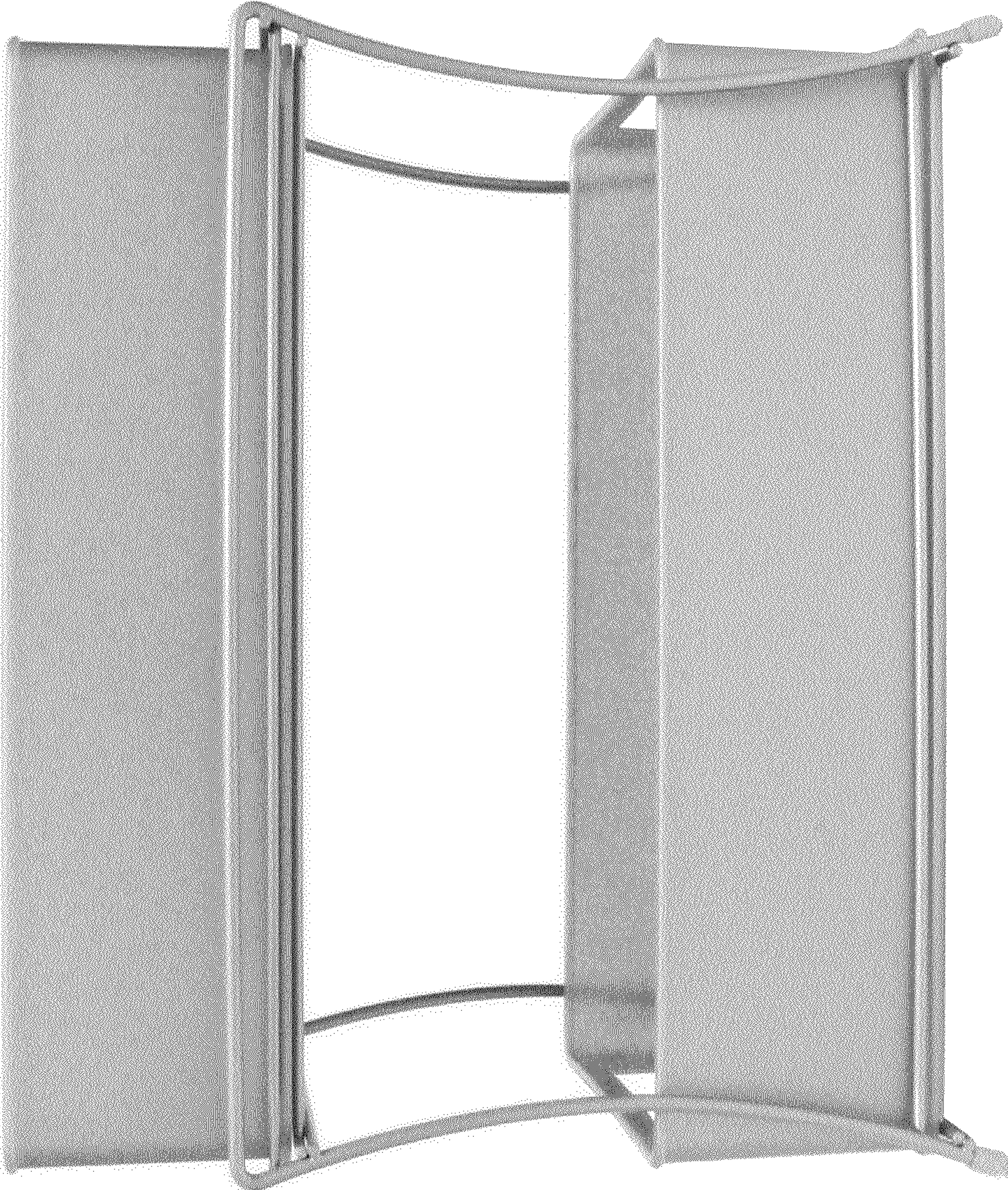


FIG. 4

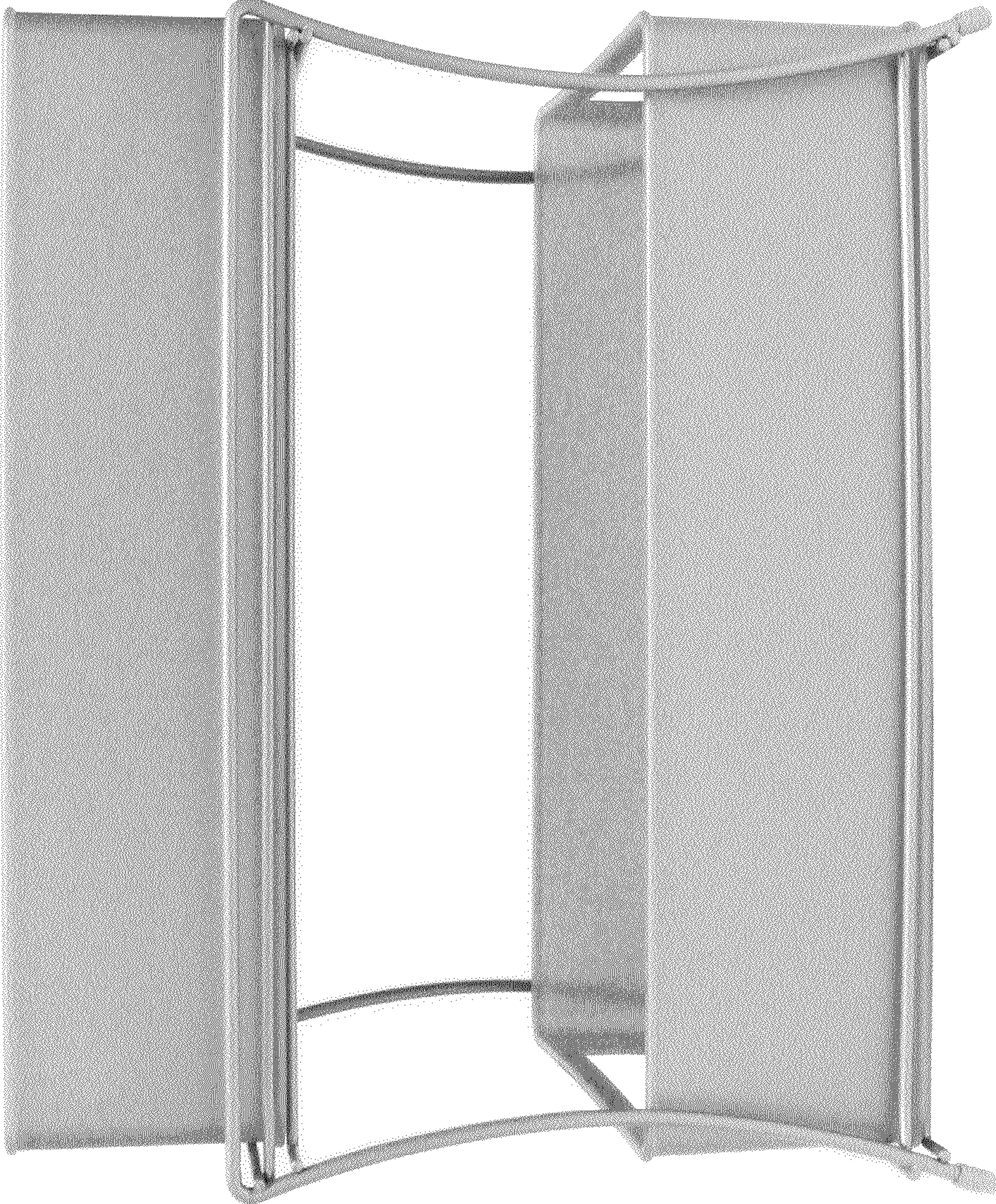


FIG. 5



FIG. 6



FIG. 7

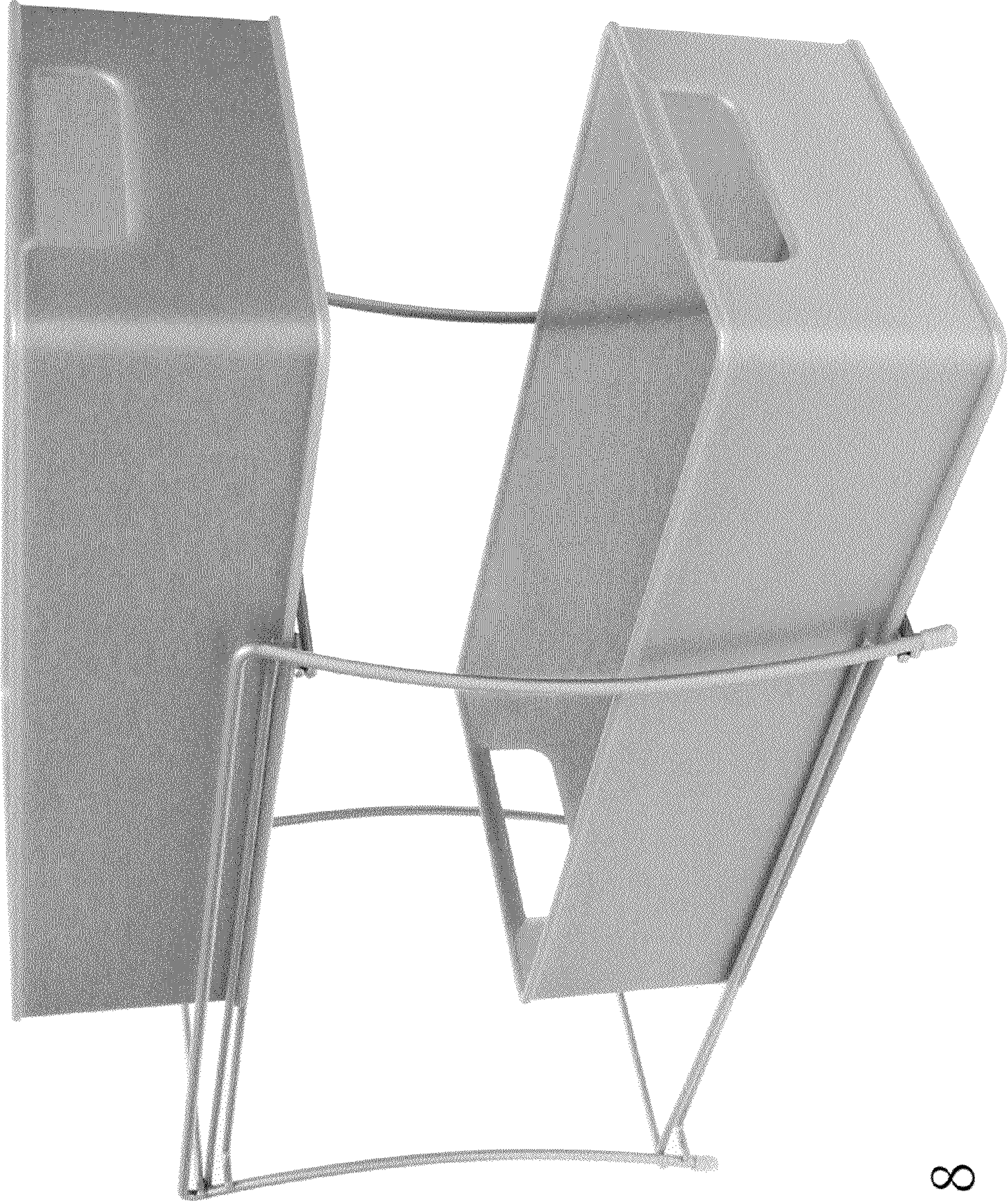


FIG. 8