



US00D696042S

(12) **United States Design Patent**
Starck

(10) **Patent No.:** **US D696,042 S**
(45) **Date of Patent:** **** Dec. 24, 2013**

(54) **TOILET PAPER HOLDER**

(75) Inventor: **Philippe Starck**, Paris (FR)

(73) Assignee: **Hansgrohe SE**, Schiltach (DE)

(**) Term: **14 Years**

(21) Appl. No.: **29/431,610**

(22) Filed: **Sep. 10, 2012**

(30) **Foreign Application Priority Data**

Mar. 16, 2012 (EP) 001318273-0018

(51) **LOC (9) Cl.** **20-02**

(52) **U.S. Cl.**
USPC **D6/520; D6/523**

(58) **Field of Classification Search**
USPC D6/518-524, 546-550; 108/28-29;
211/13.1, 16, 60.1, 86.01, 87.01,
211/88.01, 88.04, 100, 105.1, 105.2, 123,
211/181.1, 182; 248/175, 176.1, 251, 302;
16/110.1, 415; 242/570, 590, 595-598;
D8/300, 303, 315-321
See application file for complete search history.

(56) **References Cited**

U.S. PATENT DOCUMENTS

D166,534 S * 4/1952 Grady D6/520
D180,811 S * 8/1957 Schoenfeld D6/520

D230,228 S * 2/1974 Dupre D6/520
D486,332 S * 2/2004 Hoernig D6/520
D541,089 S 4/2007 Massaud

OTHER PUBLICATIONS

Brochure—Dornbracht the Spirit of Water, 3 pgs., Aloys F. Dornbracht GmbH & Co. KG, Iserlohn, Germany, at least as early as Mar. 11, 2006.

Brochure—Yatin Bath Art Catalogue 2008, 3 pgs., Zhejiang Yatin Sanitary Ware Co., Ltd., Zhejiang, China, at least as early as Mar. 10, 2009.

* cited by examiner

Primary Examiner — Brian N Vinson

(74) *Attorney, Agent, or Firm* — Nirav D. Parikh

(57) **CLAIM**

The ornamental design for a toilet paper holder, as shown and described.

DESCRIPTION

FIG. 1 is a perspective view of a toilet paper holder showing my design;

FIG. 2 is a front elevational view thereof;

FIG. 3 is a rear elevational view thereof;

FIG. 4 is a left side elevational view thereof;

FIG. 5 is a right side elevational view thereof;

FIG. 6 is a top plan view thereof; and,

FIG. 7 is a bottom plan view thereof.

1 Claim, 7 Drawing Sheets

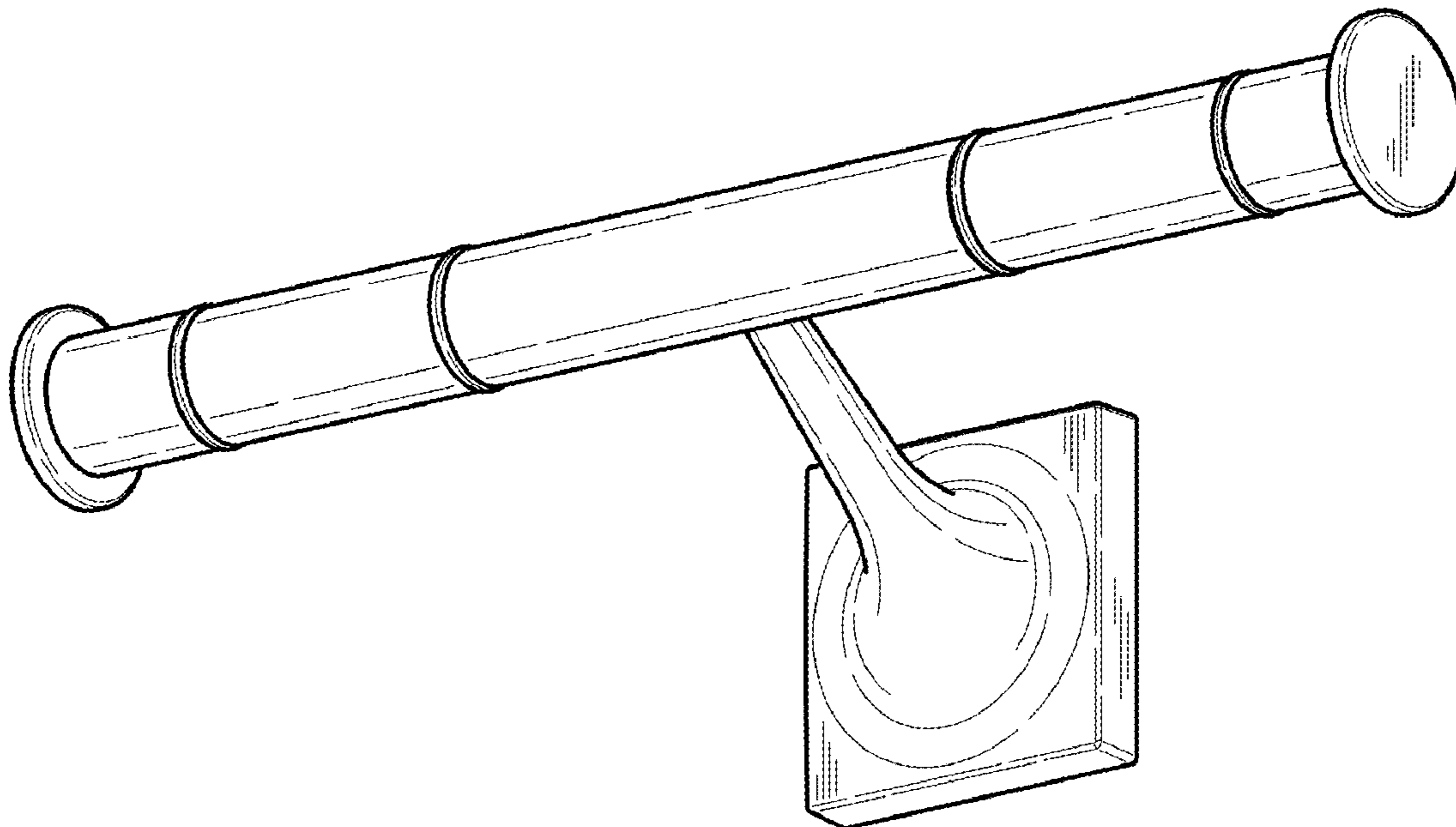


FIG. 1

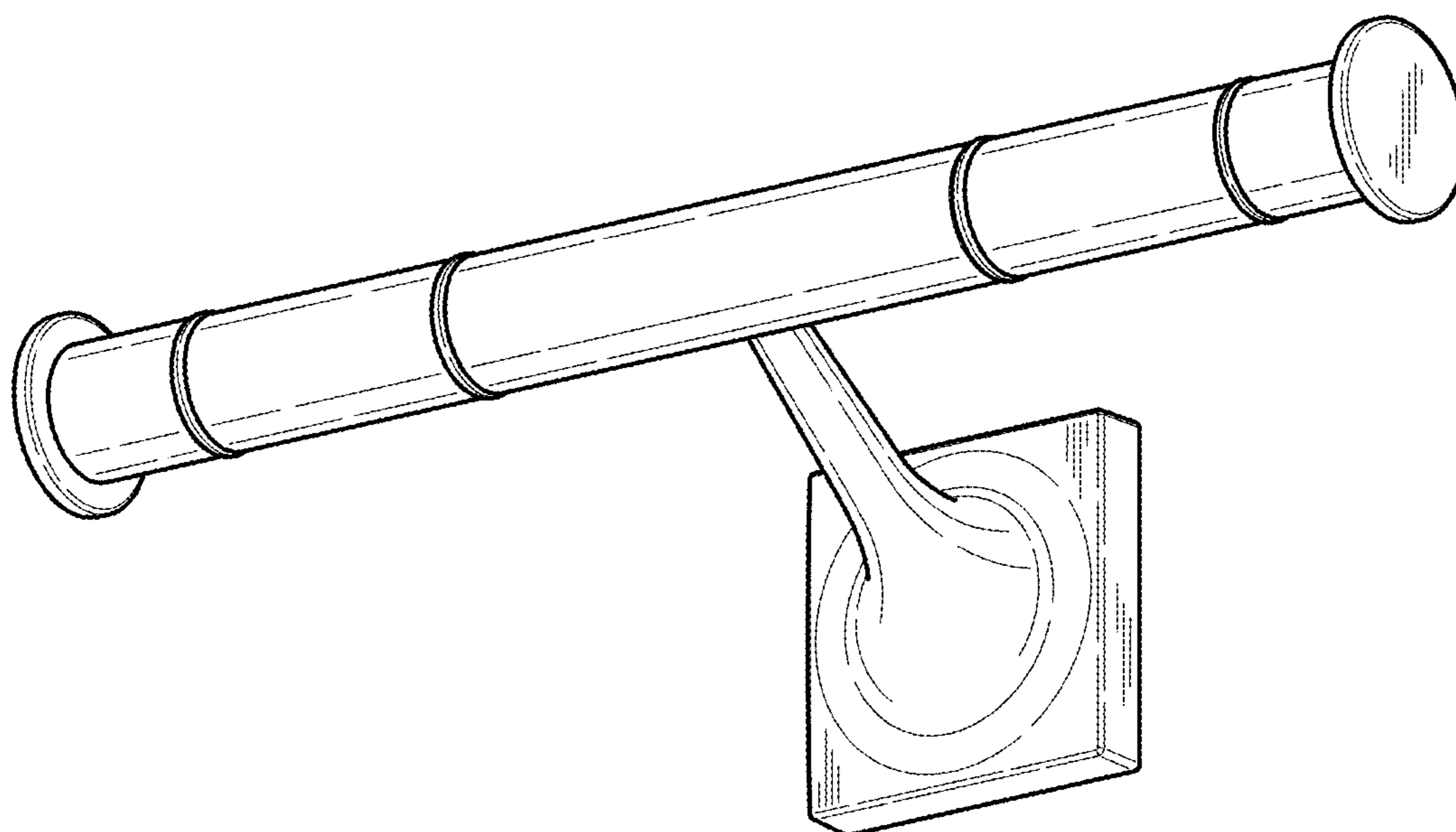


FIG. 2

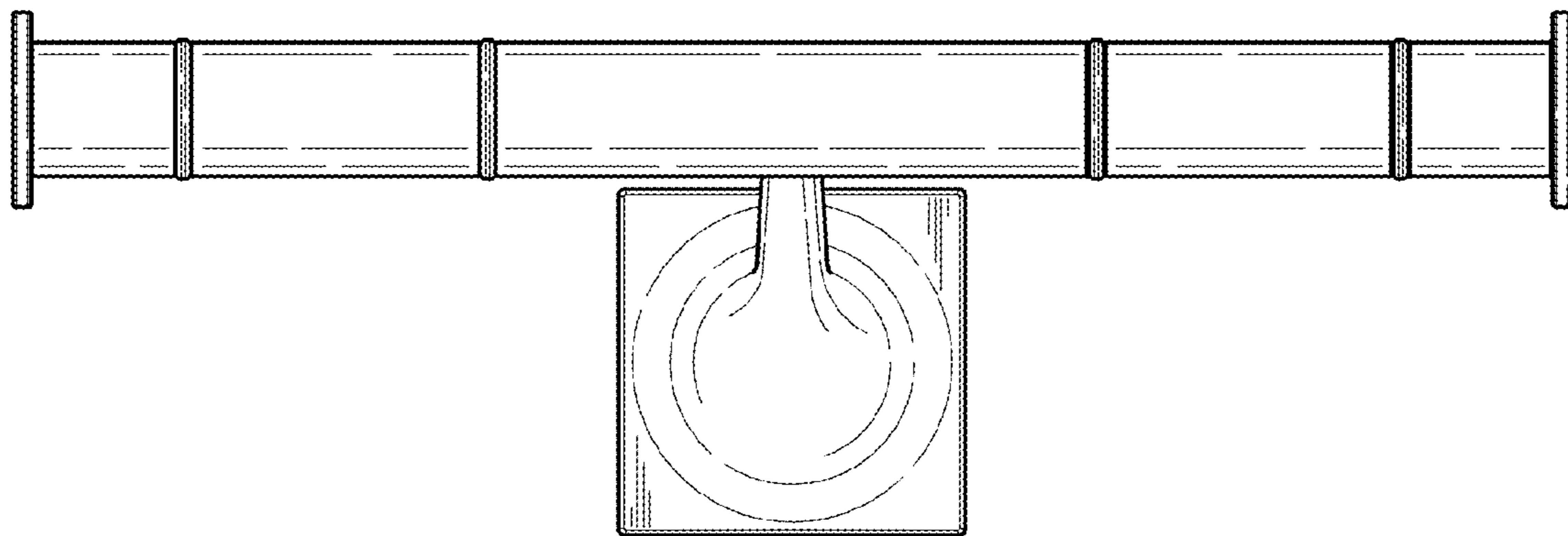


FIG. 3

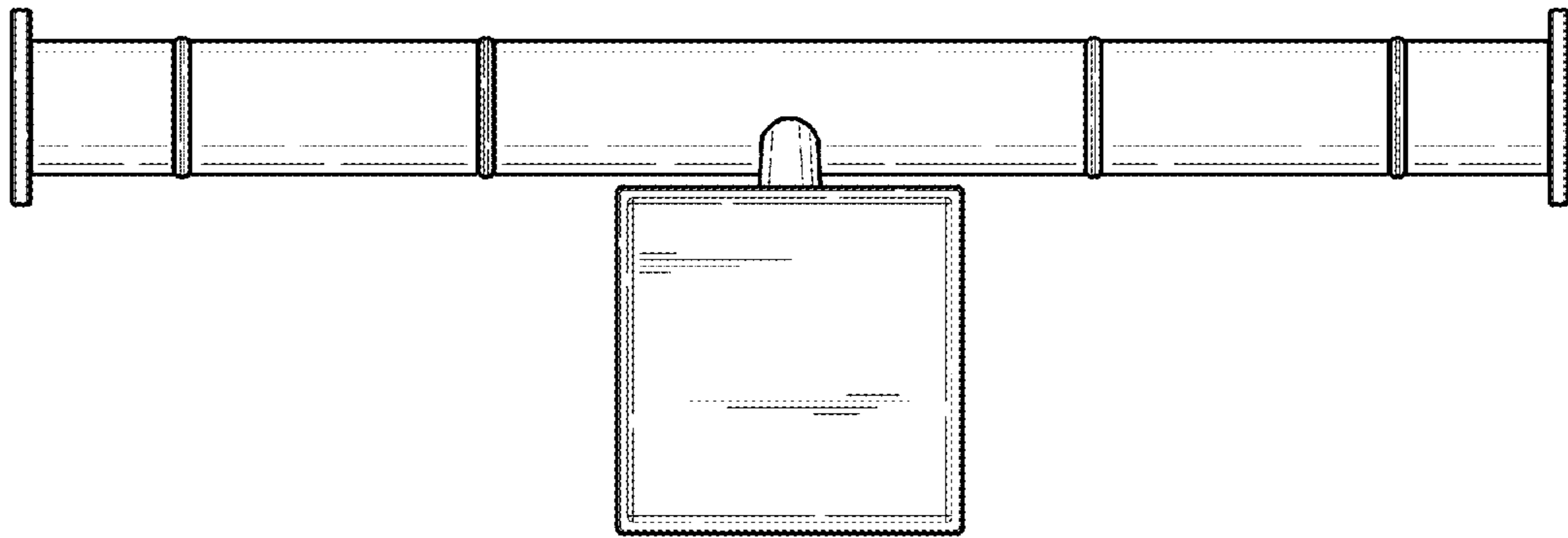


FIG. 4

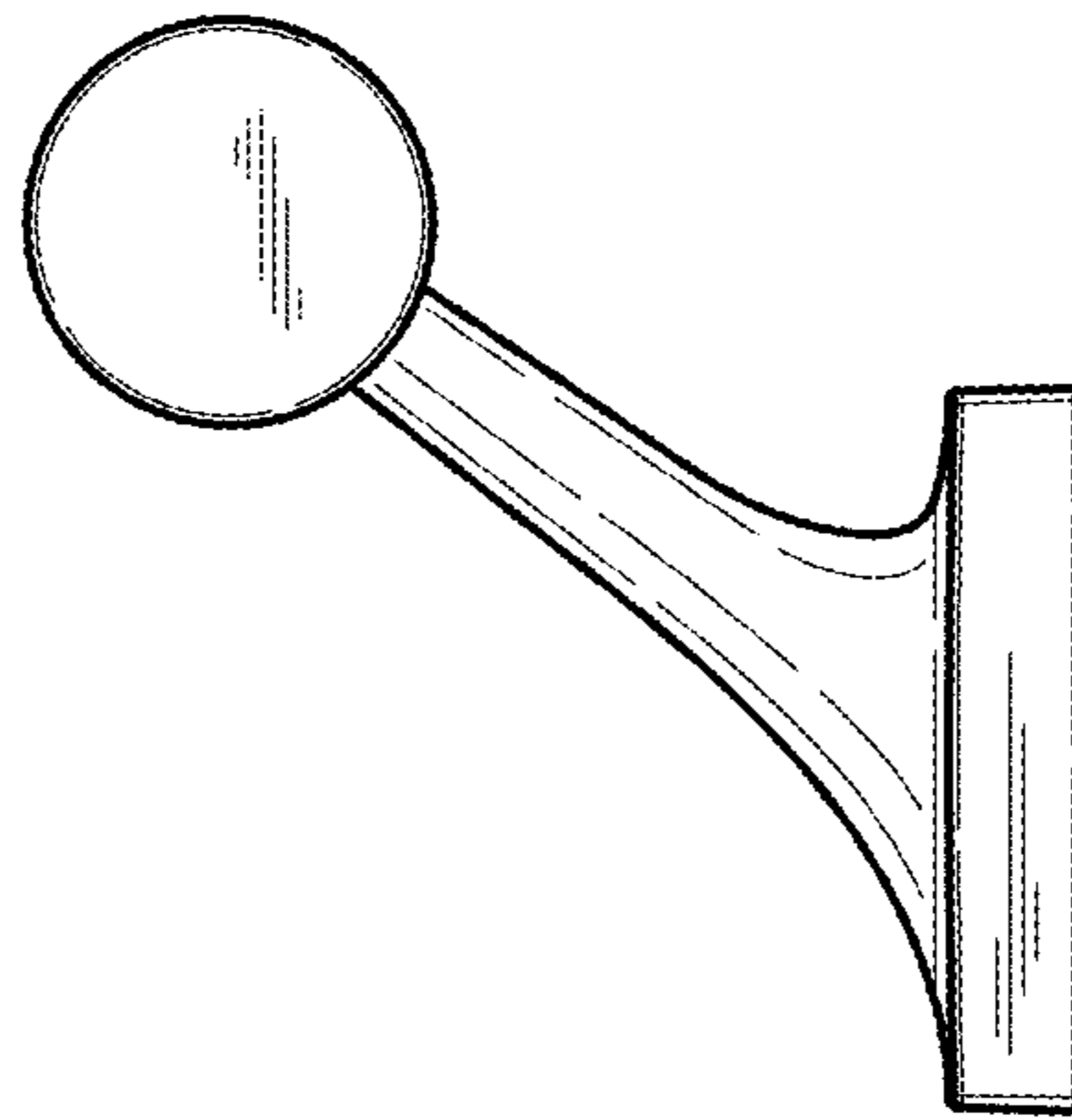


FIG. 5

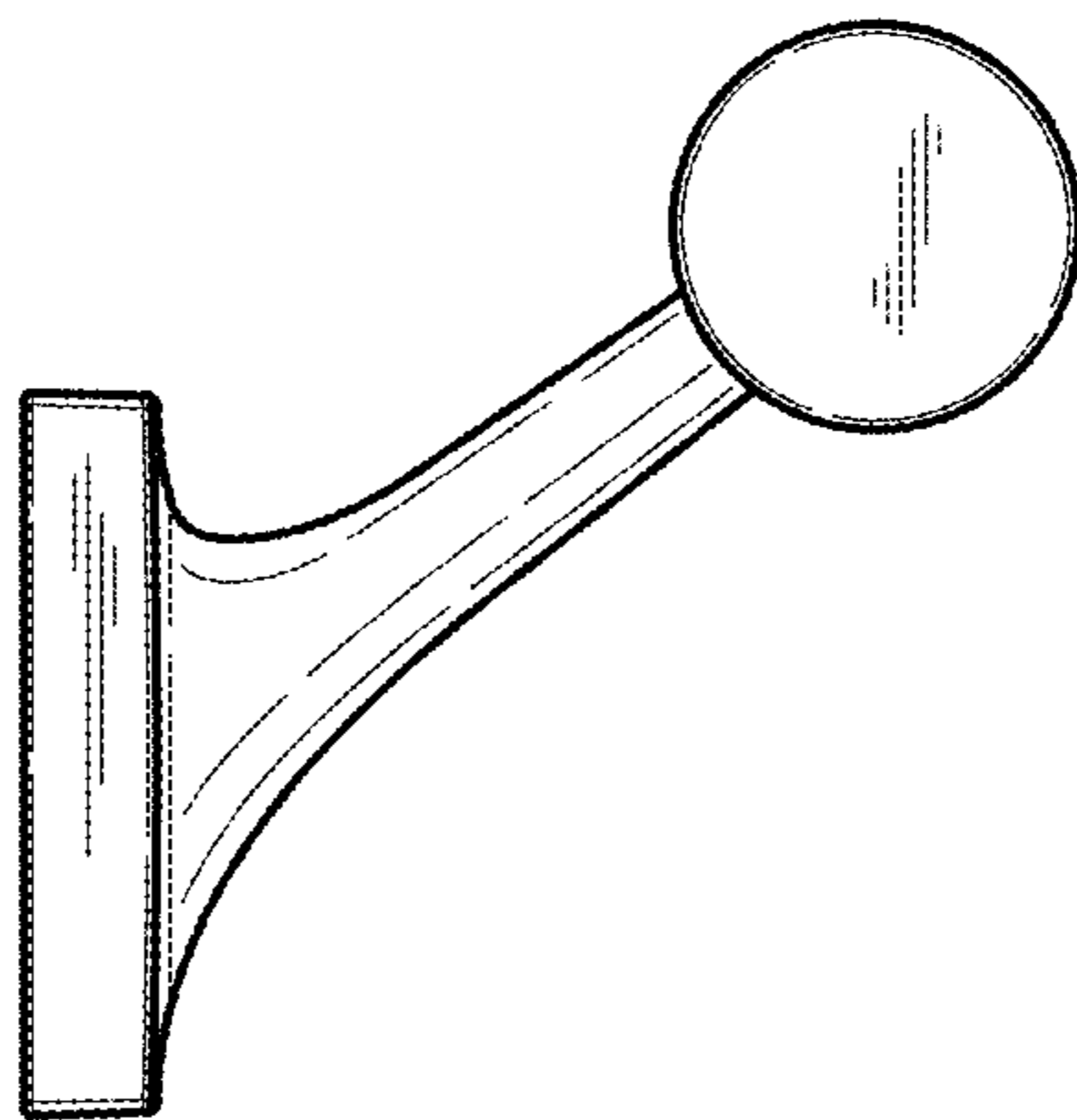


FIG. 6

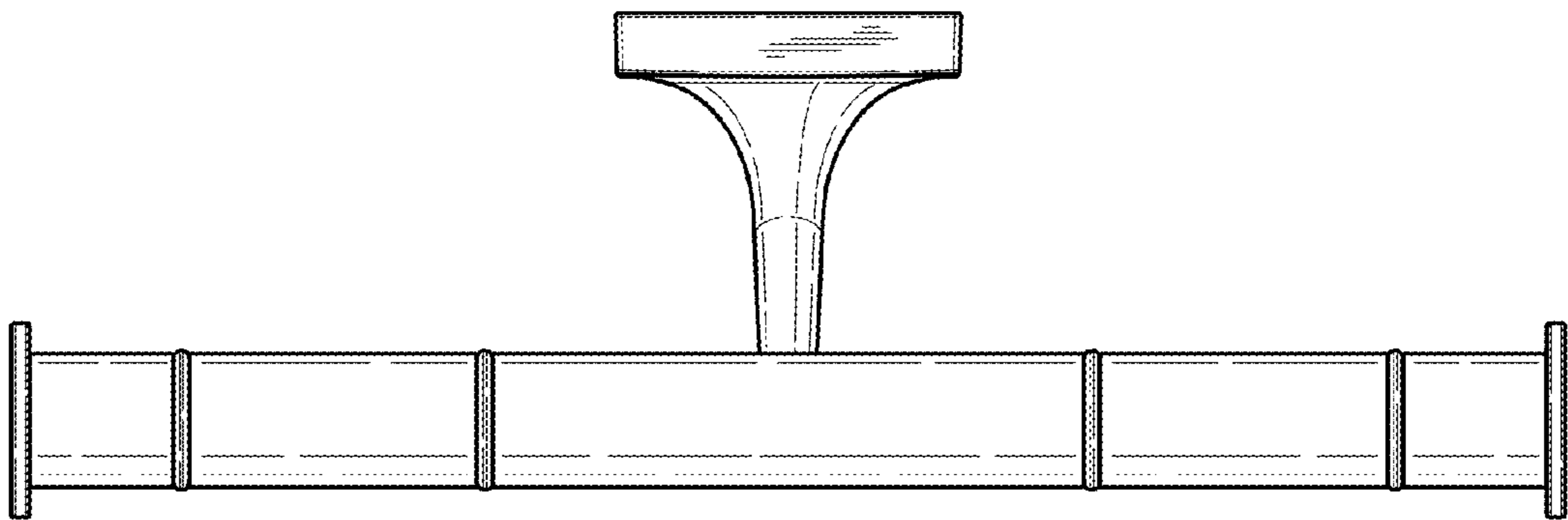


FIG. 7

