



US00D696033S

(12) **United States Design Patent**  
**Ersan et al.**

(10) **Patent No.:** **US D696,033 S**  
(45) **Date of Patent:** **\*\* Dec. 24, 2013**

(54) **SEATING**

(75) Inventors: **Ali Ersan**, London (GB); **Richard Nicholas**, London (GB); **John McKeever**, London (GB)

(73) Assignee: **Zodiac Seats UK Limited** (GB)

(\*\*) Term: **14 Years**

(21) Appl. No.: **29/421,737**

(22) Filed: **Sep. 12, 2012**

(30) **Foreign Application Priority Data**

Mar. 16, 2012 (EM) ..... 002010017

(51) **LOC (9) Cl.** ..... **06-01**

(52) **U.S. Cl.**  
USPC ..... **D6/356**

(58) **Field of Classification Search**  
USPC ..... D6/334–336, 356, 360, 361, 367, 368,  
D6/381, 716, 716.1, 716.2, 716.3, 716.4;  
297/232, 233, 244, 248, 342, 354.1,  
297/354.11, 361.1; 244/118.5, 118.6, 122 R  
See application file for complete search history.

(56) **References Cited**

**U.S. PATENT DOCUMENTS**

D405,275 S \* 2/1999 Dryburgh et al. .... D6/356  
D409,010 S \* 5/1999 Papaioannou et al. .... D6/356  
D592,412 S \* 5/2009 Suge et al. .... D6/356  
D598,665 S \* 8/2009 Cloet et al. .... D6/356  
D598,666 S \* 8/2009 Cloet et al. .... D6/356

7,578,470 B2 \* 8/2009 Plant ..... 244/118.6  
D611,260 S \* 3/2010 Plant ..... D6/356  
D649,793 S \* 12/2011 Porter et al. .... D6/356  
D652,643 S \* 1/2012 Porter et al. .... D6/356  
D652,644 S \* 1/2012 Porter et al. .... D6/356  
D656,750 S \* 4/2012 Porter et al. .... D6/356  
D660,027 S \* 5/2012 Porter et al. .... D6/356  
8,313,059 B2 \* 11/2012 Ferry et al. .... 244/118.6  
2010/0116936 A1 \* 5/2010 Plant ..... 244/118.6  
2010/0163674 A1 \* 7/2010 Bock ..... 244/118.6  
2010/0252680 A1 \* 10/2010 Porter ..... 244/118.6  
2012/0292957 A1 \* 11/2012 Vergnaud et al. .... 297/188.08  
2013/0043345 A1 \* 2/2013 Ferry et al. .... 244/118.6  
2013/0105627 A1 \* 5/2013 Orson et al. .... 244/118.5

\* cited by examiner

*Primary Examiner* — Mimoso De

(74) *Attorney, Agent, or Firm* — Dean W. Russell; Michael A. Bertelson; Kilpatrick Townsend & Stockton LLP

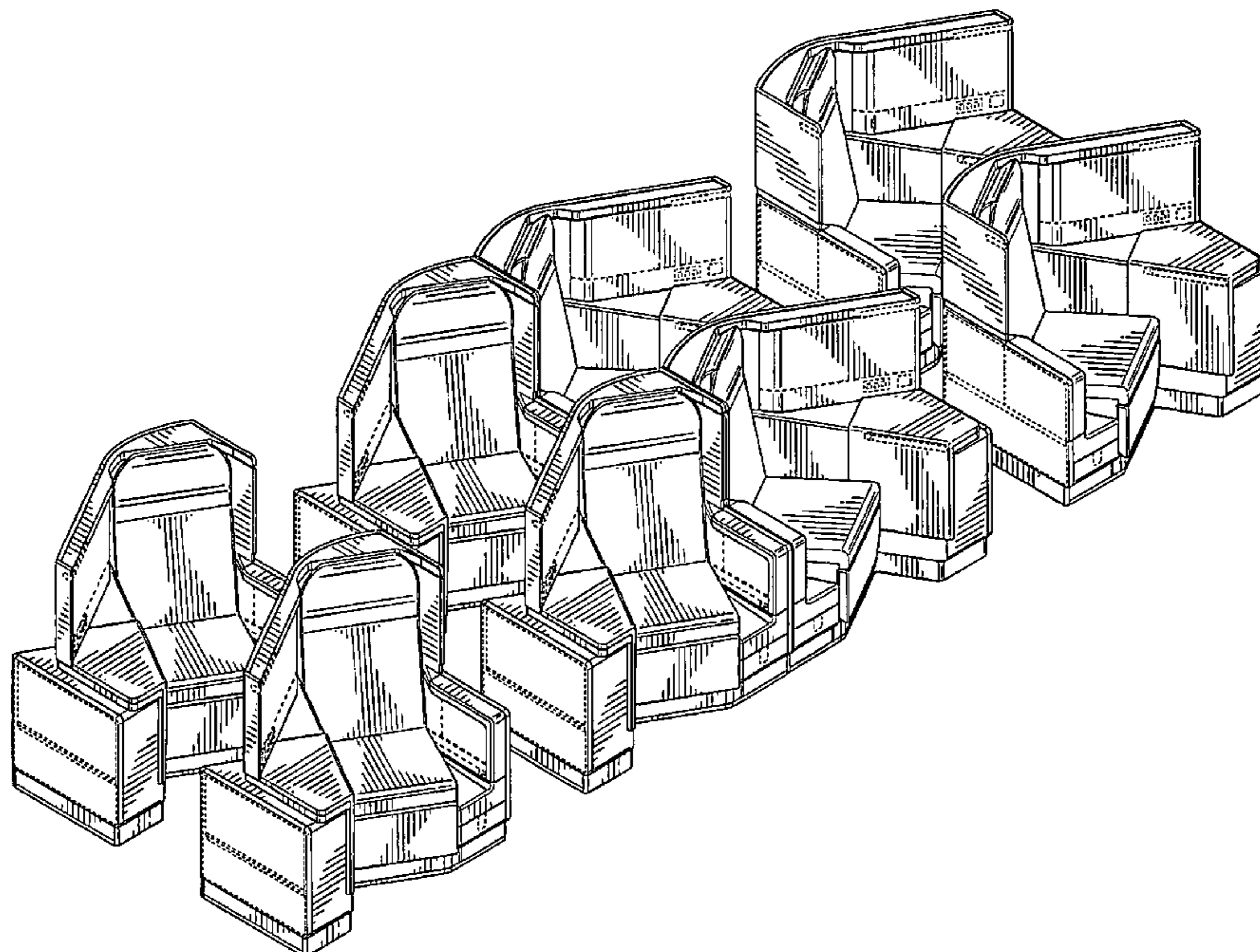
(57) **CLAIM**

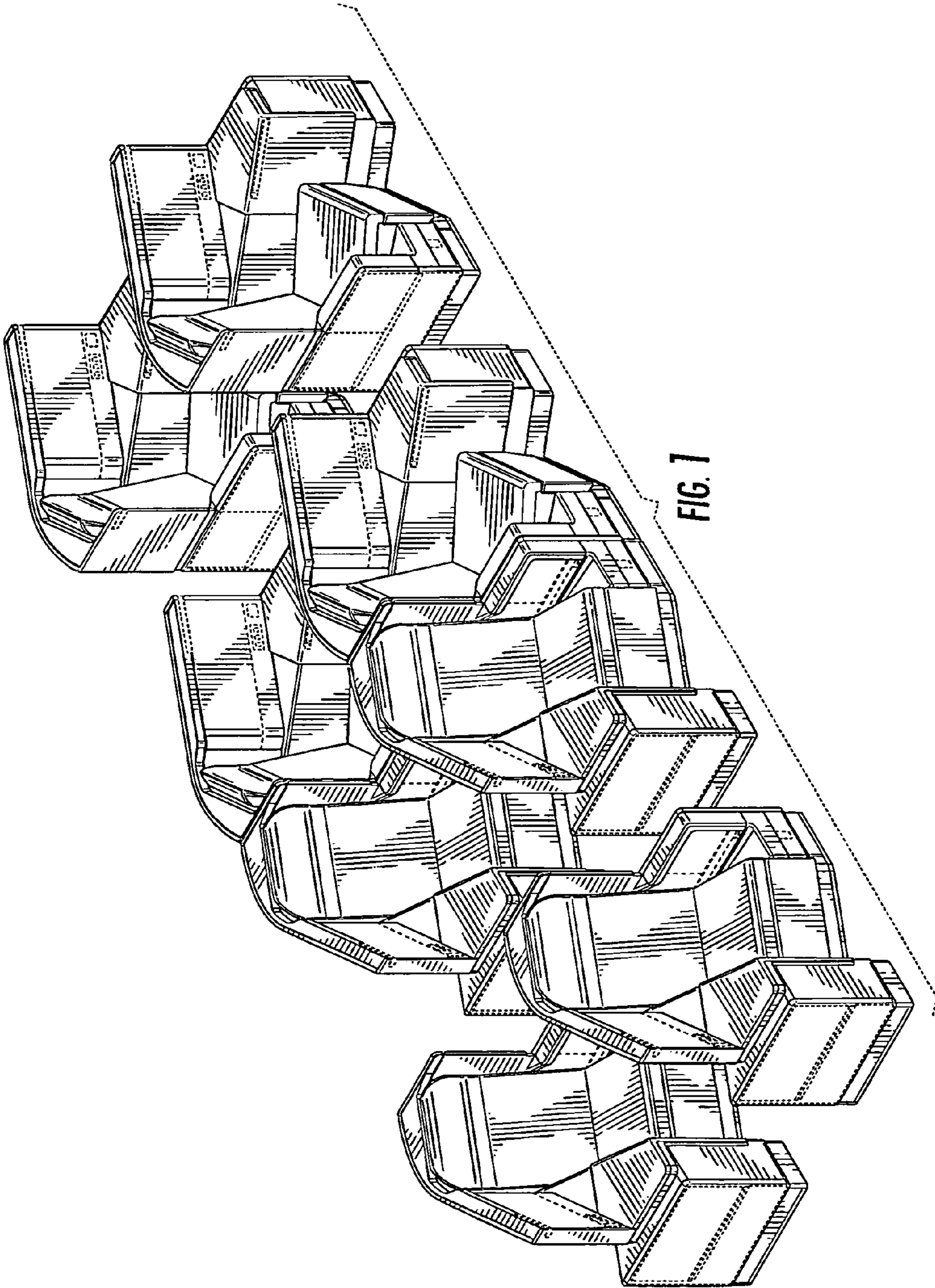
The ornamental design for seating, as shown and described.

**DESCRIPTION**

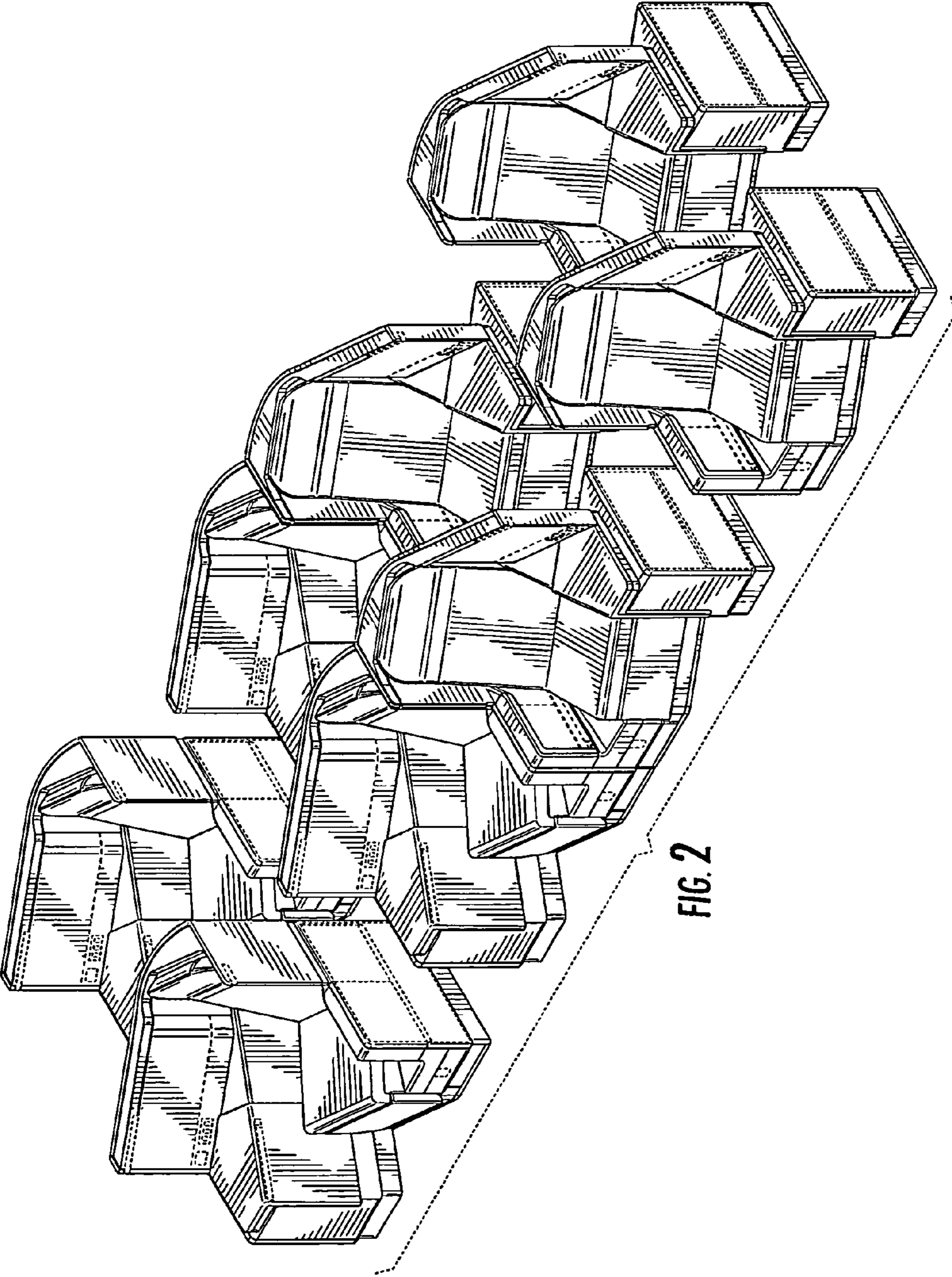
FIG. 1 is a perspective view of seating.  
FIG. 2 is another perspective view of the seating of FIG. 1.  
FIG. 3 is another perspective view of the seating of FIG. 1.  
FIG. 4 is another perspective view of the seating of FIG. 1.  
FIG. 5 is a top view of the seating of FIG. 1.  
FIG. 6 is a front view of the seating of FIG. 1; and,  
FIG. 7 is a rear view of the seating of FIG. 1.  
The broken lines illustrate environment and boundaries of the claimed design, and form no part of the claimed design.

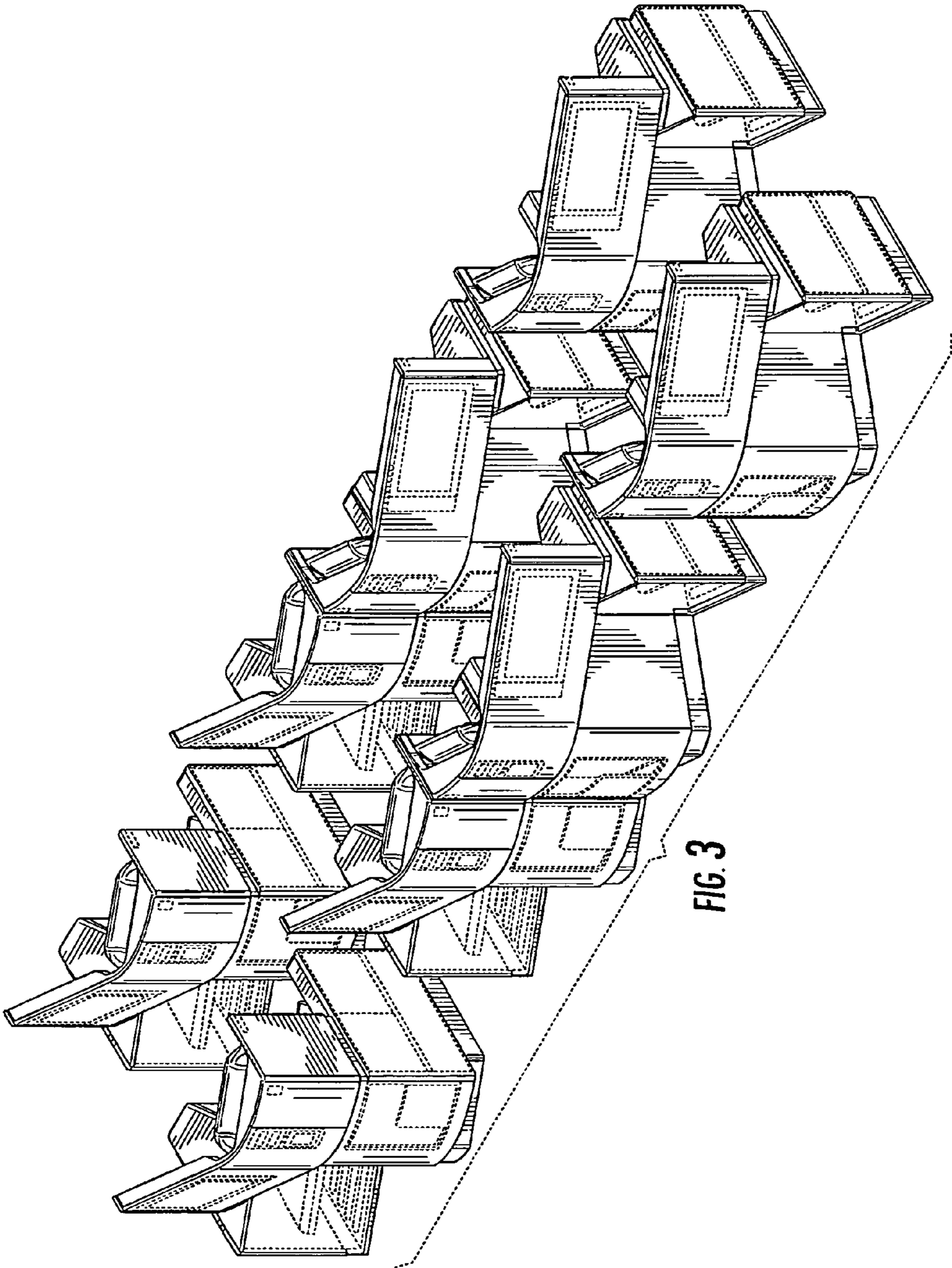
**1 Claim, 7 Drawing Sheets**











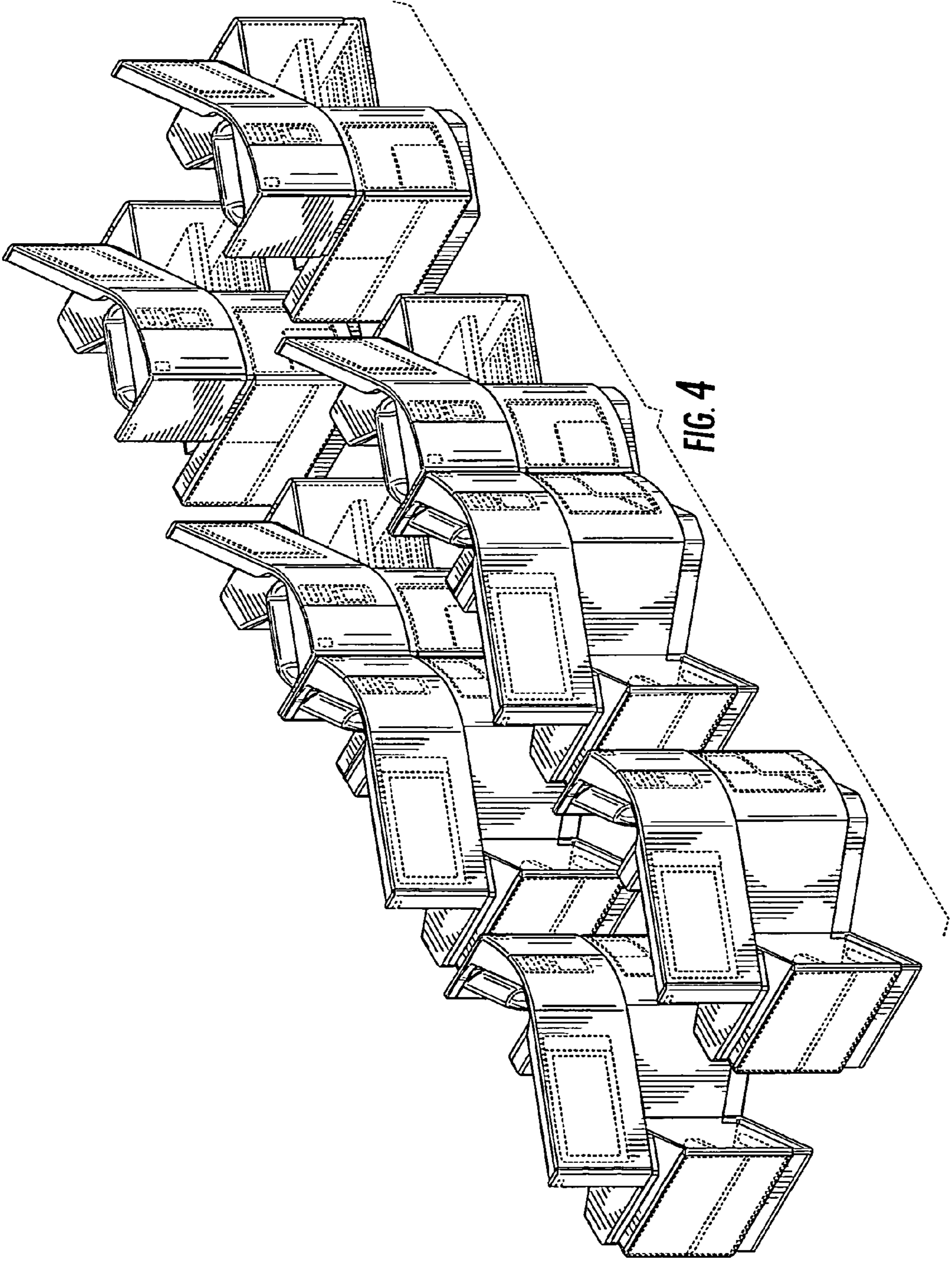


FIG. 4



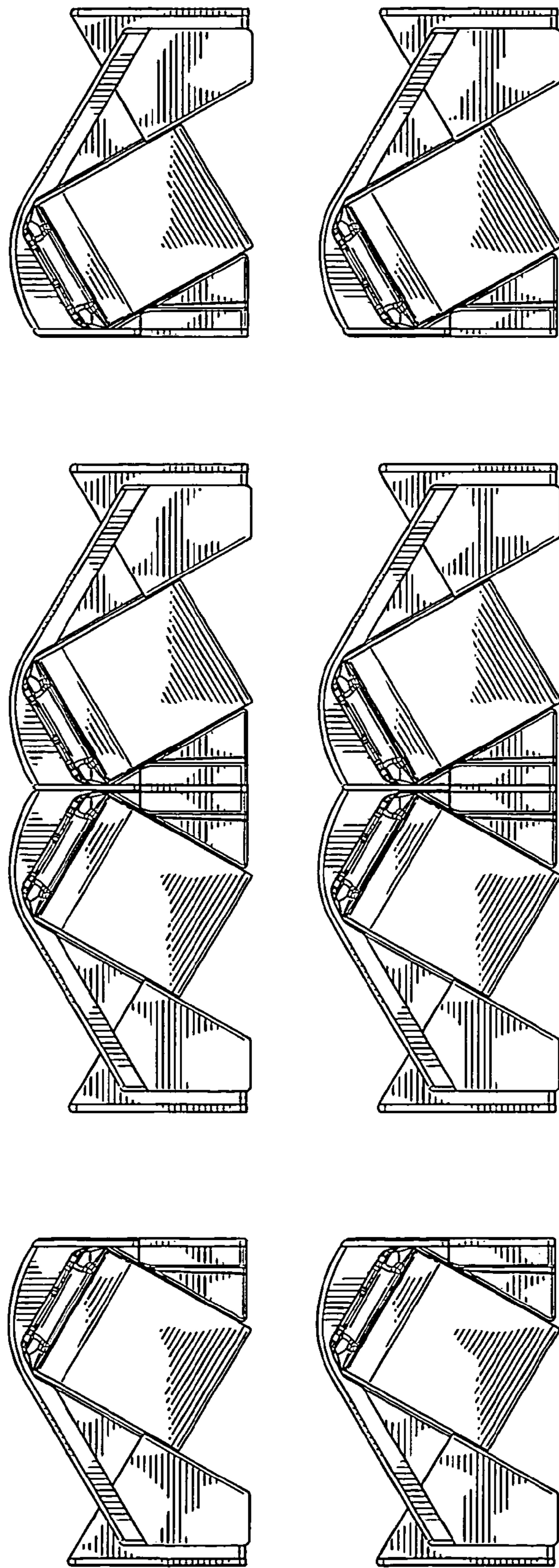


FIG. 5

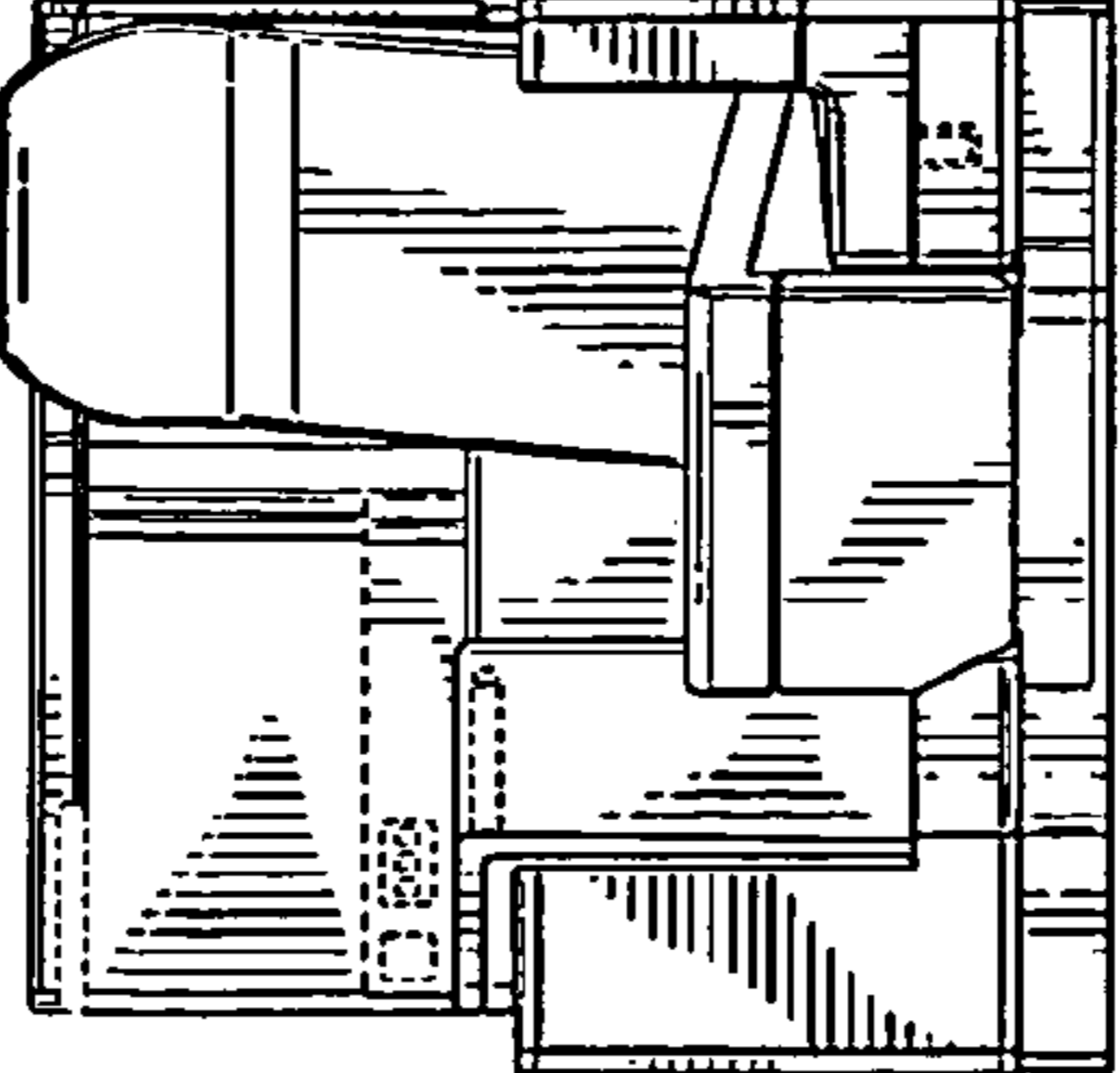
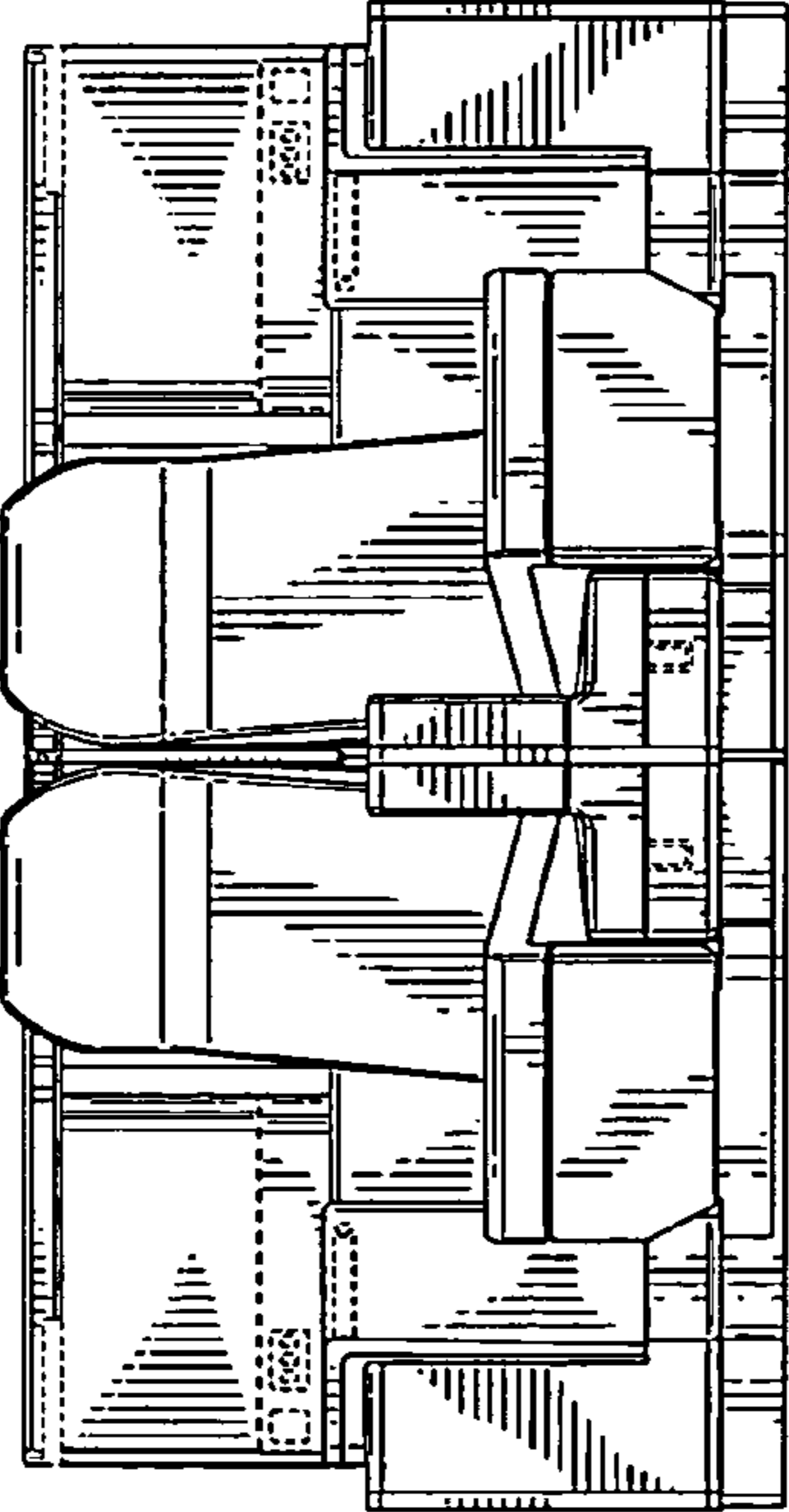
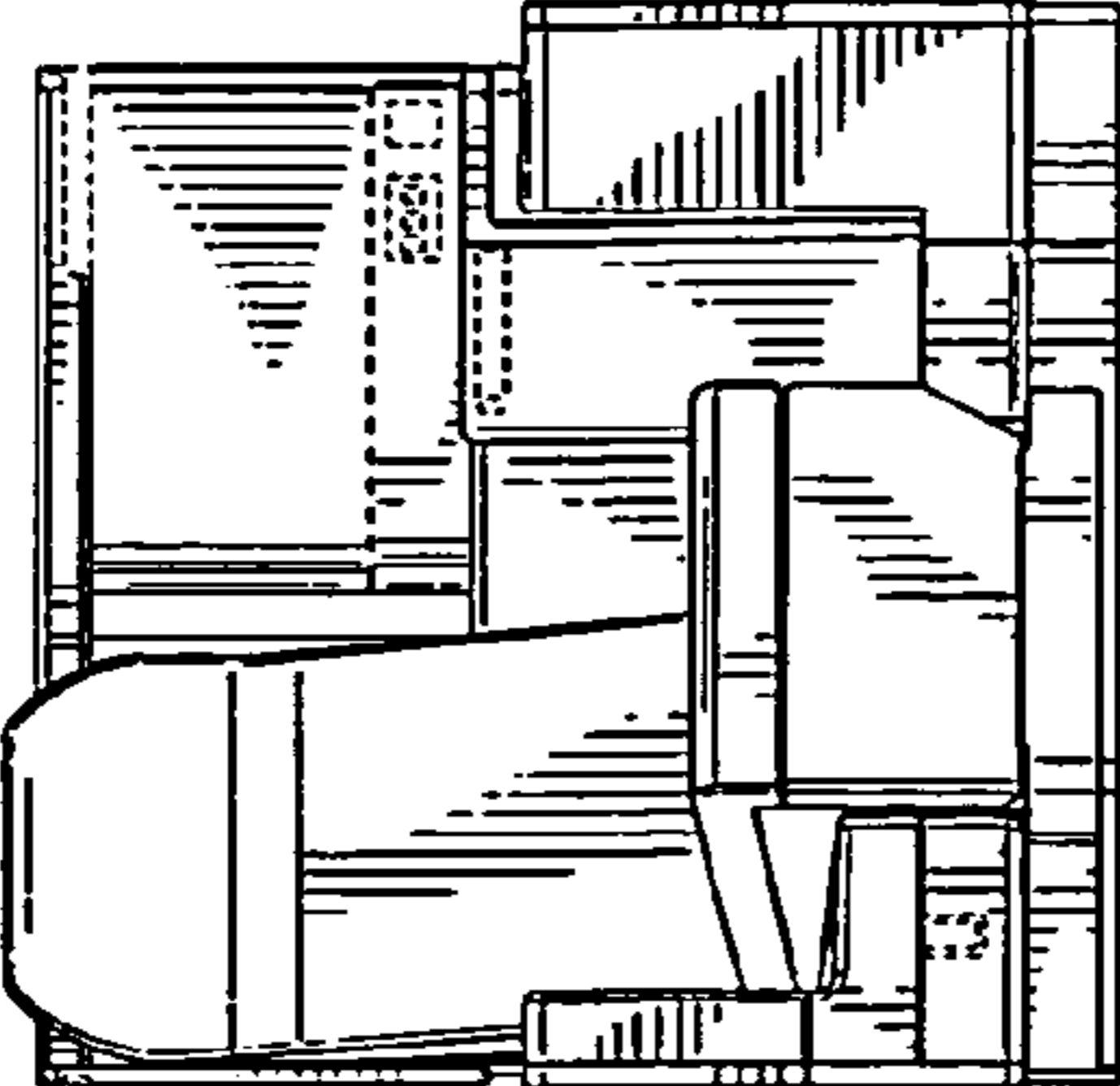


FIG. 6

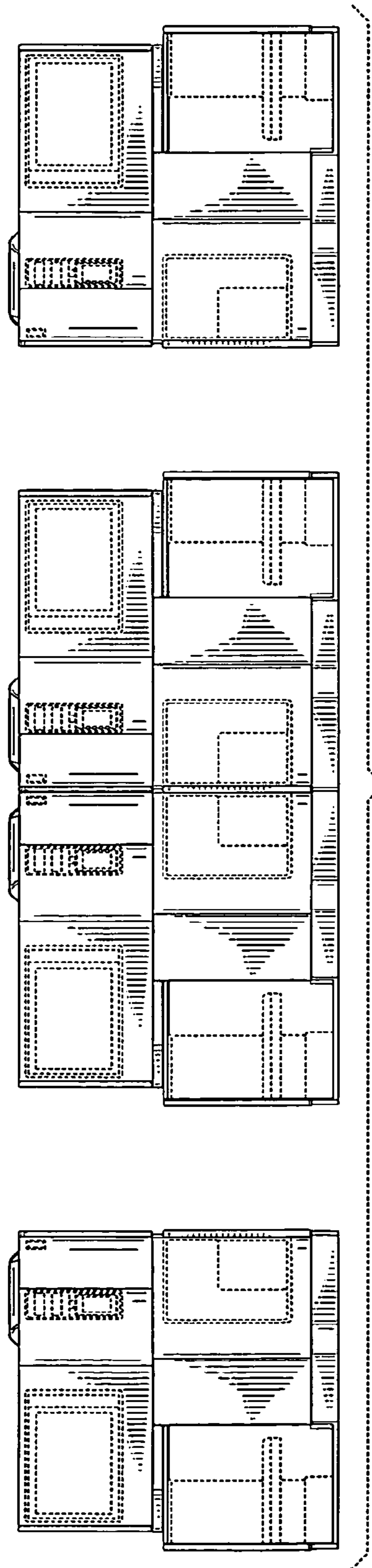


FIG. 7