



US00D696032S

(12) **United States Design Patent**
Baccolini

(10) **Patent No.:** **US D696,032 S**

(45) **Date of Patent:** **** Dec. 24, 2013**

(54) **SEAT**
(75) Inventor: **Giovanni Baccolini**, Osteria Grande (IT)
(73) Assignee: **Ares Line S.R.L.**, Carre (VI) (IT)
(**) Term: **14 Years**

D555,372 S * 11/2007 Lin D6/336
D592,876 S * 5/2009 Smith et al. D6/380
D594,669 S * 6/2009 Asano D6/376
D605,421 S * 12/2009 Baldanzi D6/368
D626,767 S * 11/2010 Lucci et al. D6/495
D643,653 S * 8/2011 Piretti D6/500
D650,616 S * 12/2011 Piretti D6/500
D676,689 S * 2/2013 Matsushita et al. D6/691

(21) Appl. No.: **29/402,899**
(22) Filed: **Sep. 29, 2011**

* cited by examiner

(30) **Foreign Application Priority Data**
Apr. 7, 2011 (EM) 001847187-0003

Primary Examiner — Susan Bennett Hattan
Assistant Examiner — Vy Koenig
(74) *Attorney, Agent, or Firm* — Fattibene and Fattibene LLC; Paul A. Fattibene

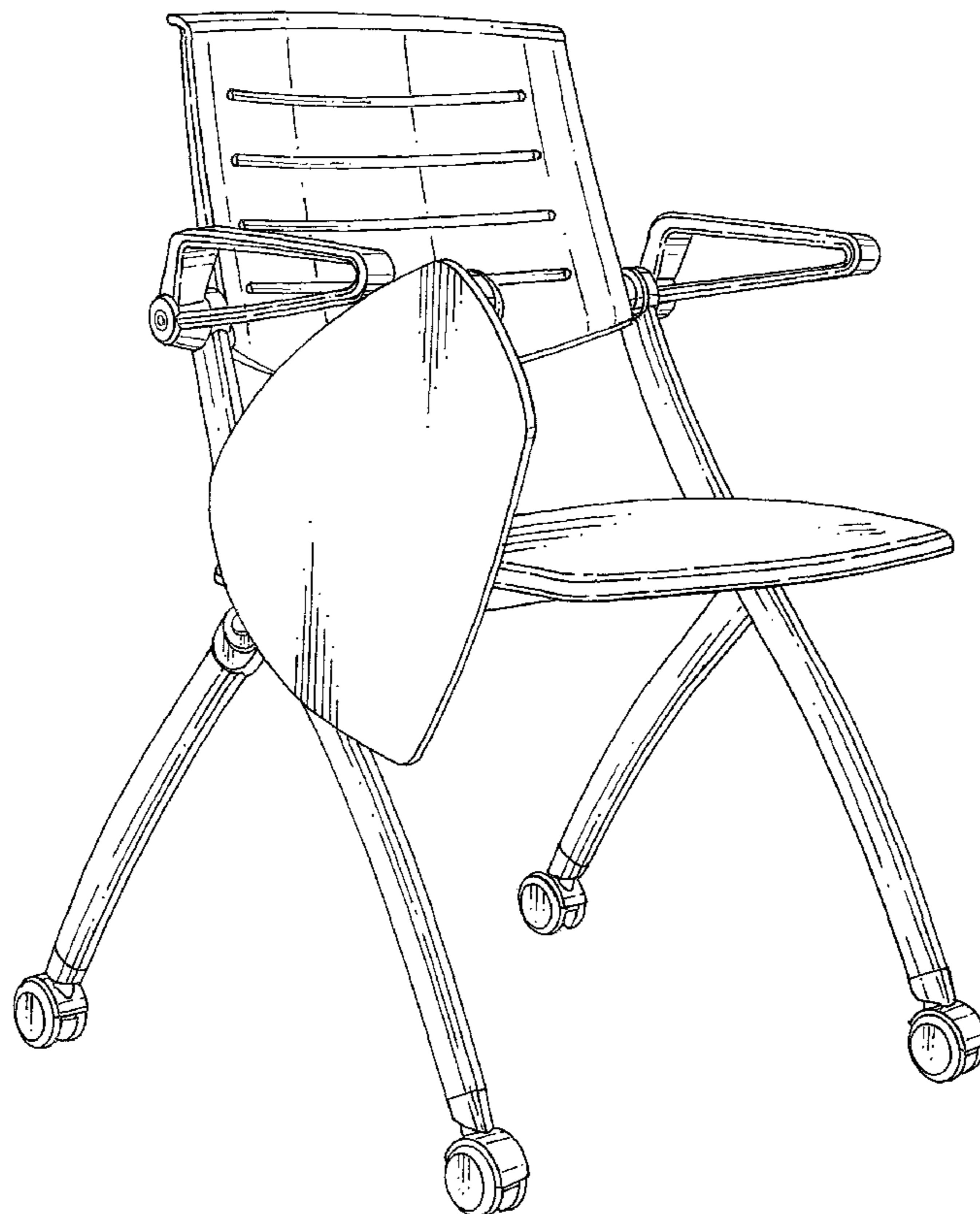
(51) **LOC (9) Cl.** **06-01**
(52) **U.S. Cl.**
USPC **D6/341**
(58) **Field of Classification Search**
USPC D6/334–336, 338, 340–355, 360,
D6/363–365, 367–373, 716.1–716.6, 717,
D6/717.2; 297/461, 462, 115, 116, 135,
297/160–162
See application file for complete search history.

(57) **CLAIM**
The ornamental design for a seat, as shown.

(56) **References Cited**
U.S. PATENT DOCUMENTS
3,111,344 A * 11/1963 Hoven et al. 297/452.65
D197,283 S * 1/1964 Williams D6/338
D406,195 S * 3/1999 Gamberini D6/341

DESCRIPTION
FIG. 1 is a front perspective view of a seat showing the new design;
FIG. 2 is a rear perspective view thereof;
FIG. 3 is a front elevation view thereof;
FIG. 4 is a rear elevation view thereof;
FIG. 5 is a left side elevation view thereof;
FIG. 6 is a right side elevation view thereof;
FIG. 7 is a top plan view thereof; and,
FIG. 8 is a bottom plan view thereof.

1 Claim, 8 Drawing Sheets



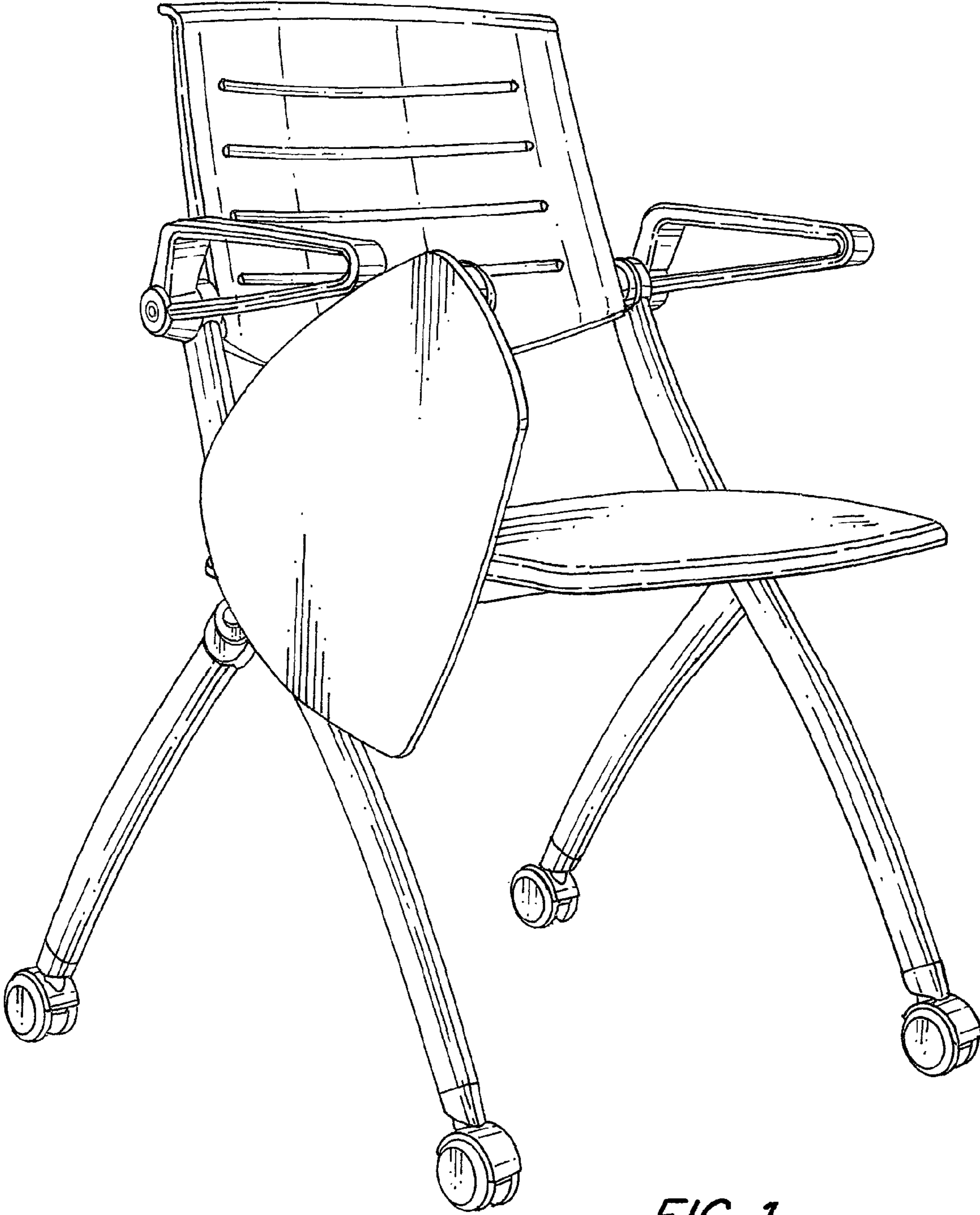


FIG. 1

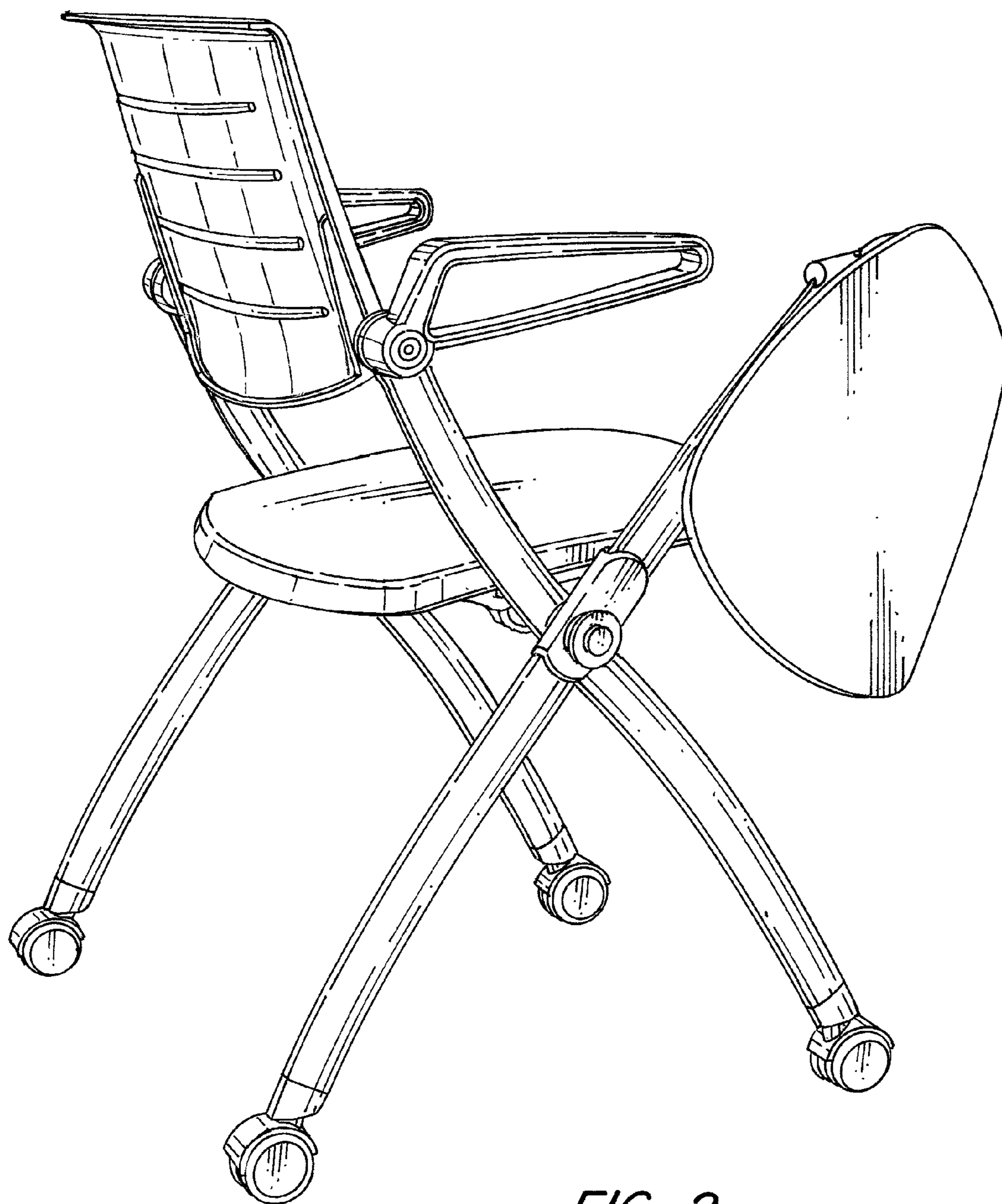


FIG. 2

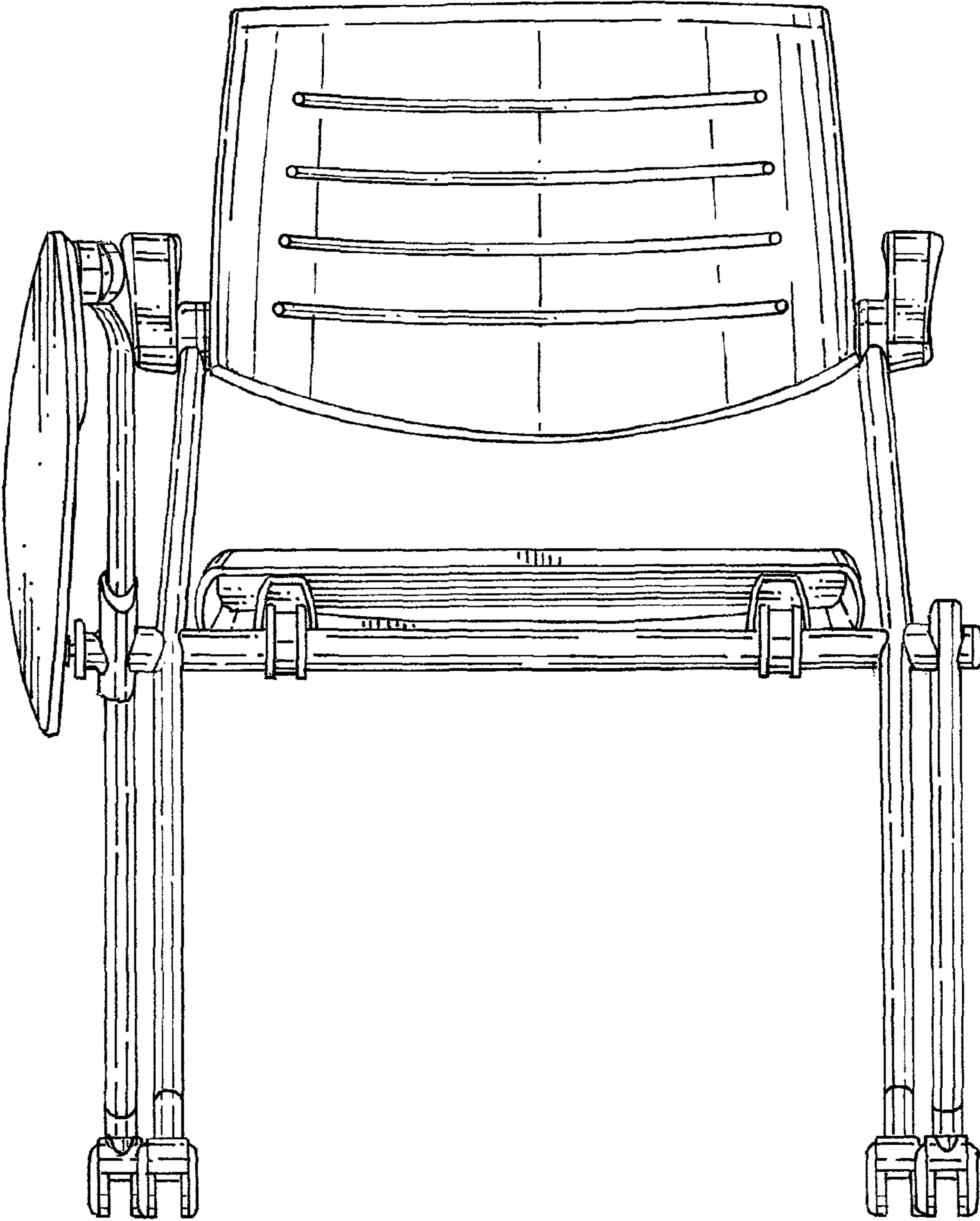


FIG. 3

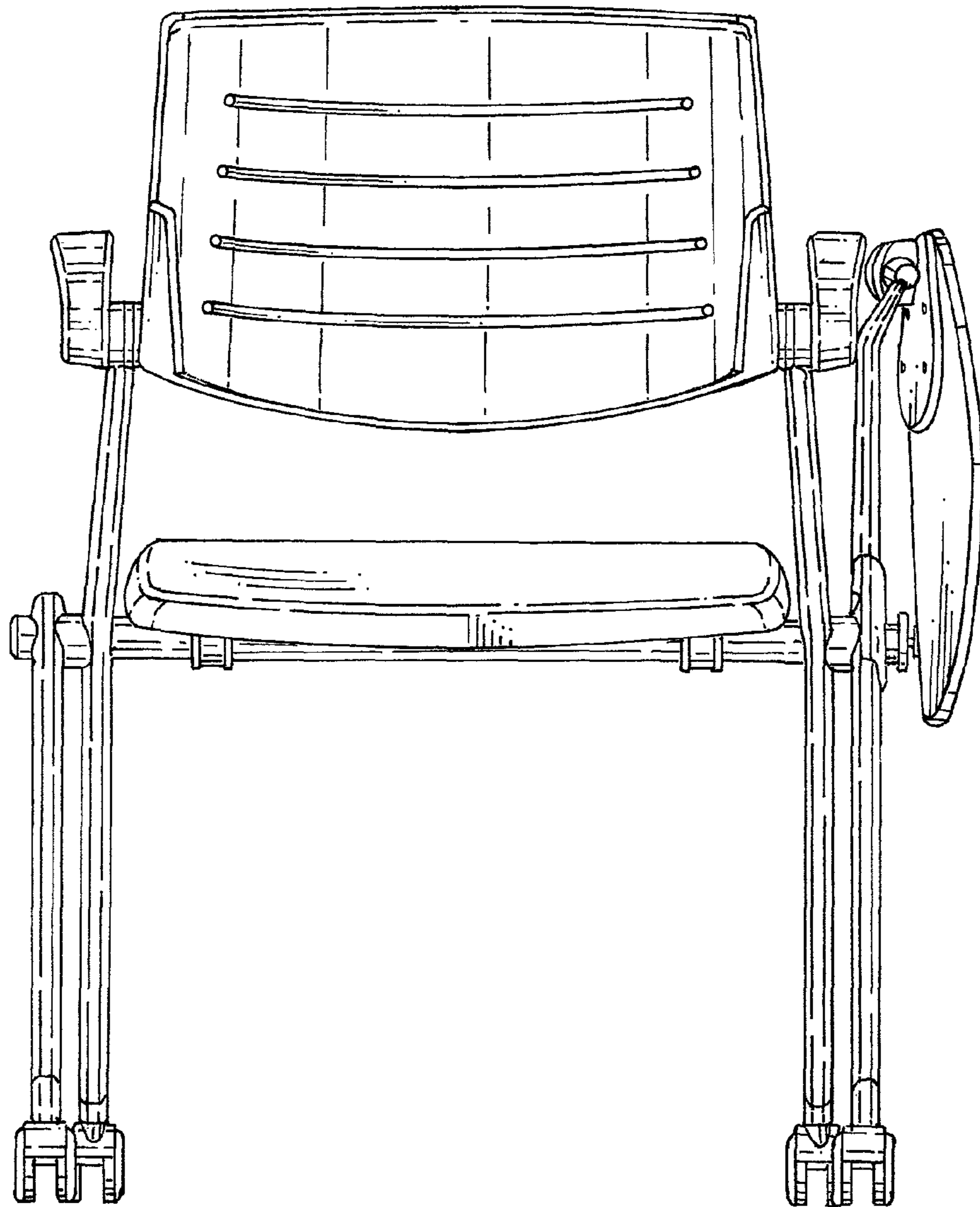


FIG. 4

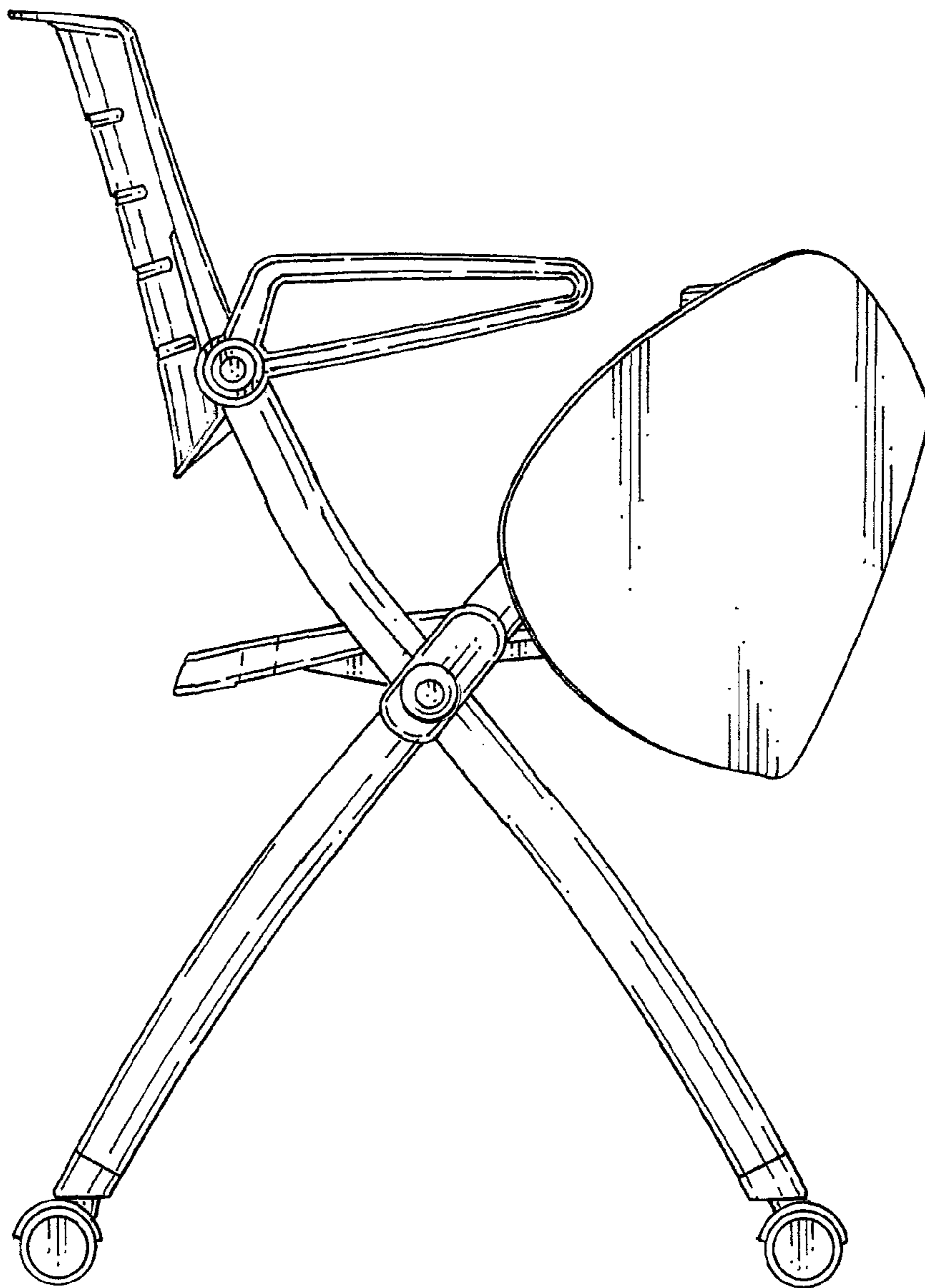


FIG. 5

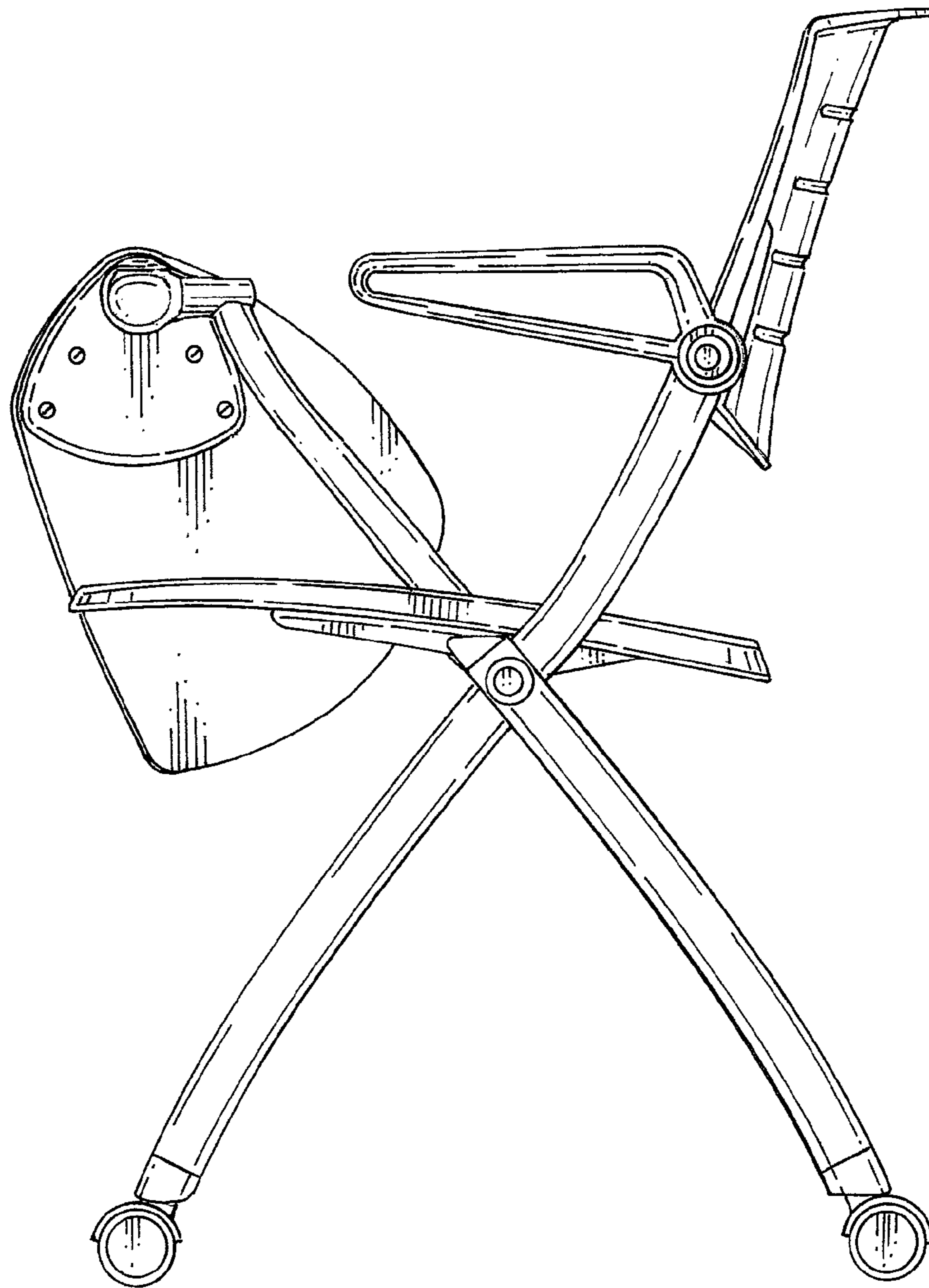


FIG. 6

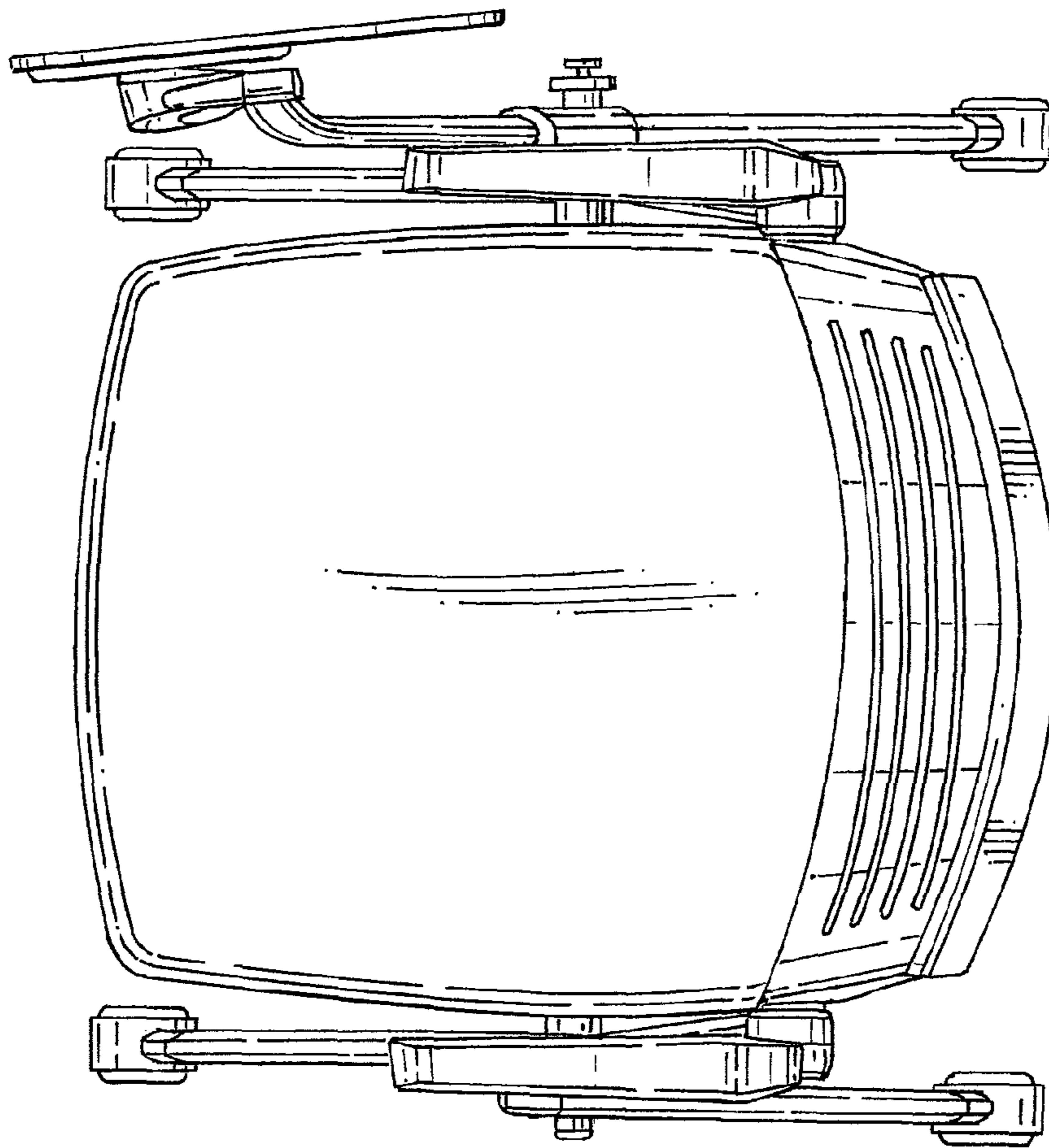


FIG. 7

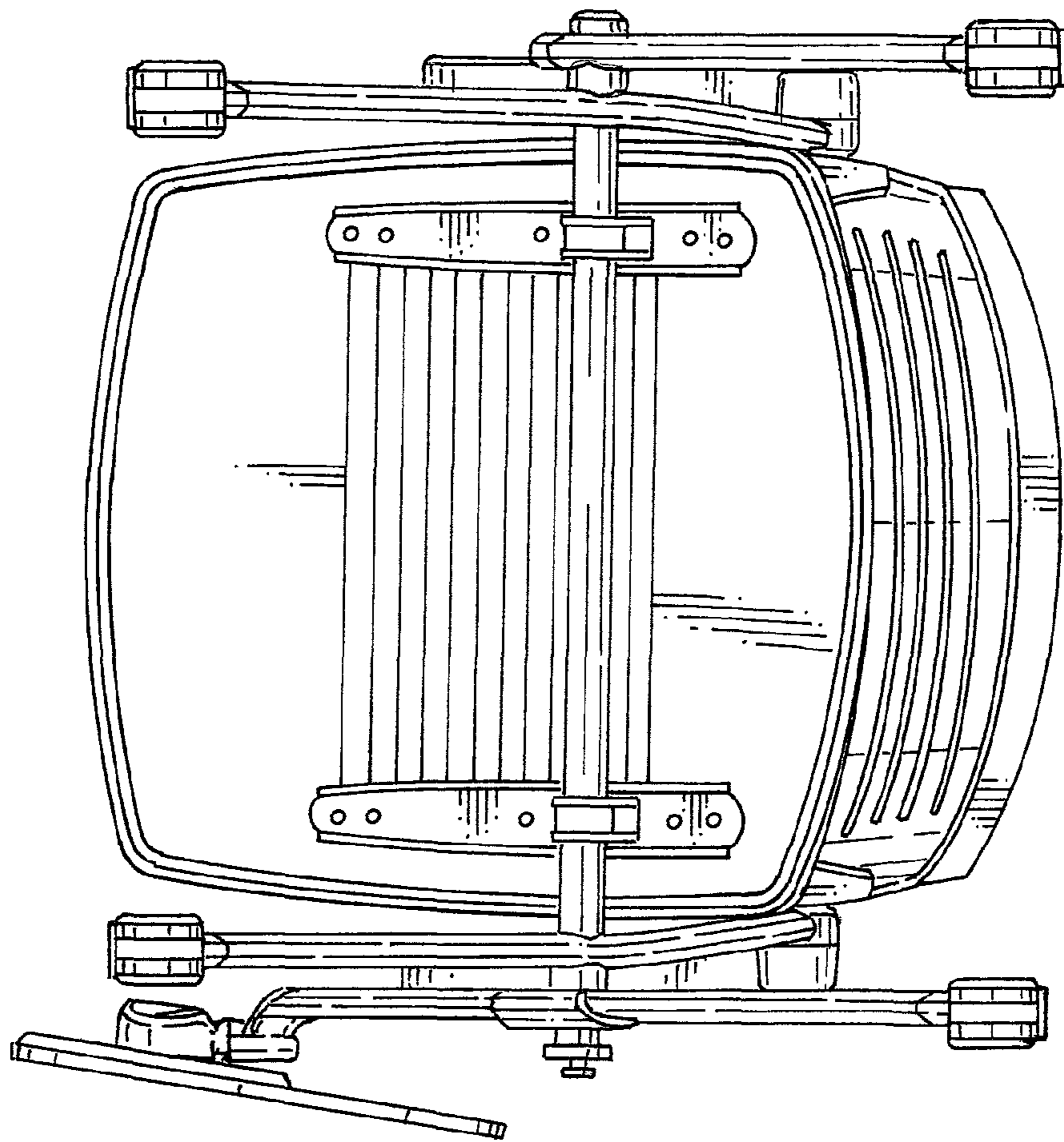


FIG. 8