



US00D696021S

(12) **United States Design Patent**
Hegemann

(10) **Patent No.:** **US D696,021 S**

(45) **Date of Patent:** **** Dec. 24, 2013**

(54) **ORAL BRUSH HEAD**

(75) Inventor: **Kenneth J. Hegemann**, Escondido, CA (US)

(73) Assignee: **CRA Labs, Inc.**, Escondido, CA (US)

(**) Term: **14 Years**

(21) Appl. No.: **29/375,117**

(22) Filed: **Sep. 17, 2010**

(51) **LOC (9) Cl.** **04-02**

(52) **U.S. Cl.**
USPC **D4/101; D4/106**

(58) **Field of Classification Search**
USPC D4/101, 104-112; 15/106, 167.1, 15/167.2; 132/308-311; 601/139-142
See application file for complete search history.

(56) **References Cited**

U.S. PATENT DOCUMENTS

D48,666 S	3/1916	Boccia
D53,715 S	8/1919	Samson
1,679,946 A	8/1928	Ruff
1,830,995 A	11/1931	Genn
1,908,509 A	5/1933	Davis
2,093,383 A	9/1937	Rudof et al.
2,528,992 A	11/1950	Barr
2,682,066 A	6/1954	Keely
2,771,624 A	11/1956	Ripper
2,807,820 A	10/1957	Dinhofer
3,178,754 A	4/1965	Cleverdon
3,227,158 A	1/1966	Mattingly
3,241,239 A	3/1966	Ellis
3,284,829 A	11/1966	Allen
3,393,673 A	7/1968	Mattingly
3,401,690 A	9/1968	Martin
3,425,410 A	2/1969	Cammack
3,452,746 A	7/1969	Shanhouse
3,453,969 A	7/1969	Mattingly
3,465,751 A	9/1969	Powers

3,467,083 A	9/1969	Mattingly
3,623,175 A	11/1971	Emerson
3,732,589 A	5/1973	Burki
3,742,942 A	7/1973	Westline
3,753,435 A	8/1973	Blasnik

(Continued)

FOREIGN PATENT DOCUMENTS

CH	1794403 A1	9/1935
DE	2735427 A1	2/1979

(Continued)

OTHER PUBLICATIONS

Office Action for U.S. Appl. No. 10/357,564, U.S. Patent and Trademark Office, mailed on Oct. 29, 2004.

(Continued)

Primary Examiner — Melanie H Tung

Assistant Examiner — Lavone D Tabor

(74) *Attorney, Agent, or Firm* — Peter B. Scull; Hamilton DeSanctis & Cha, LLP

(57) **CLAIM**

The ornamental design for an oral brush head, as shown and described.

DESCRIPTION

FIG. 1 is an isometric view of an oral brush head showing the design hereof;

FIG. 2 is a front view hereof;

FIG. 3 is a rear view hereof;

FIG. 4 is an inverted left side view hereof;

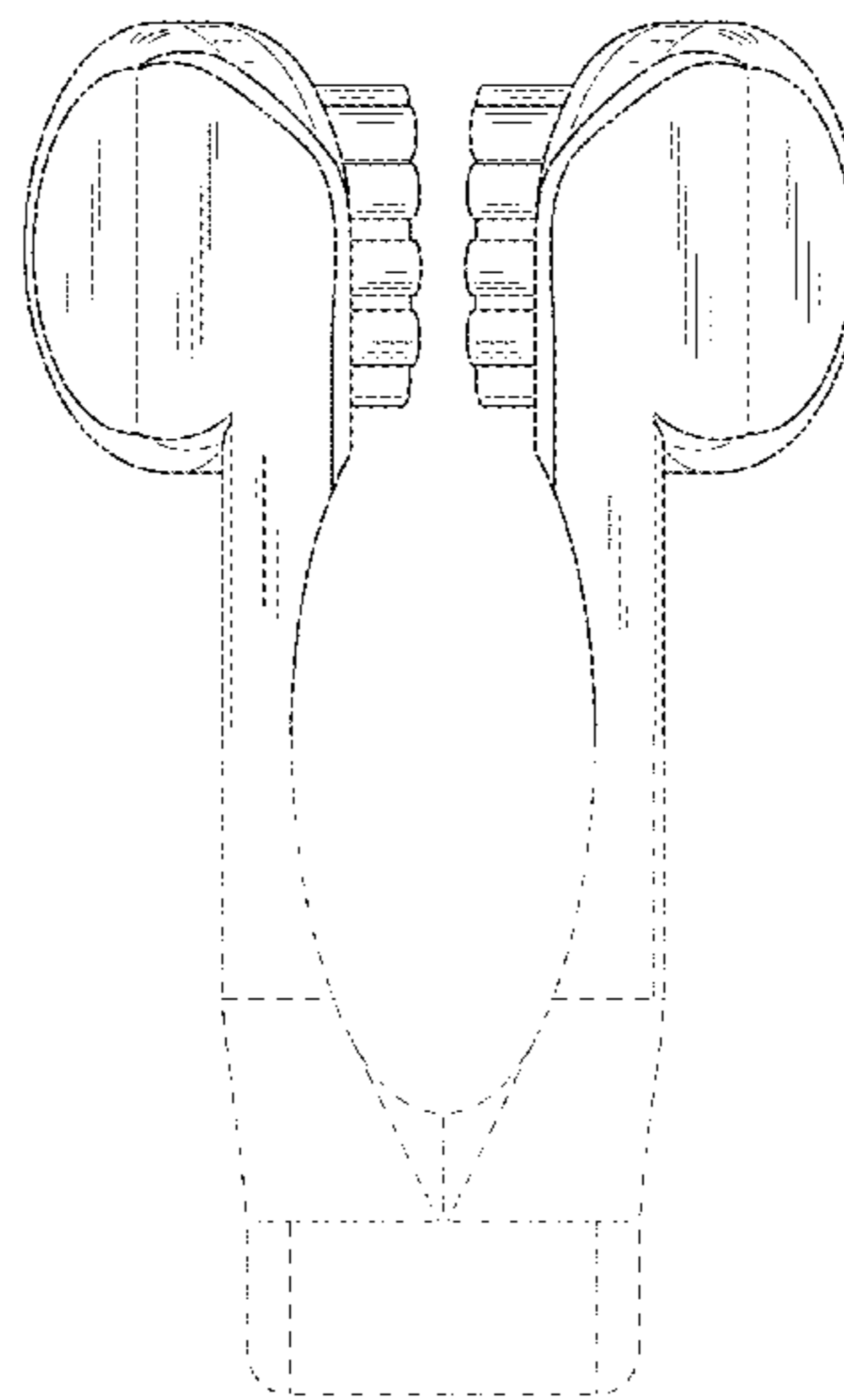
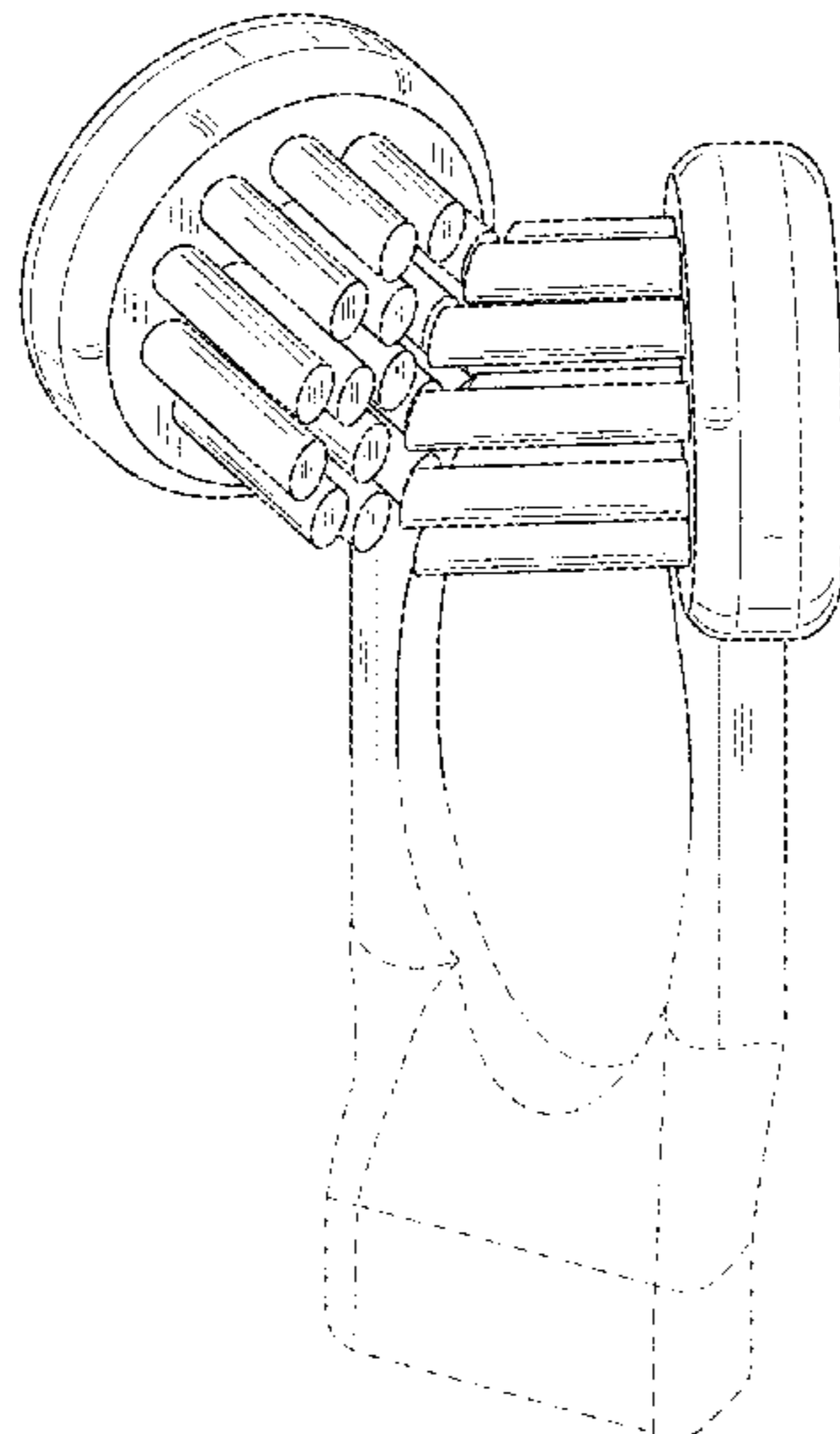
FIG. 5 is a right side view hereof;

FIG. 6 is a top plan view hereof; and,

FIG. 7 is a bottom plan view hereof.

The portions of the oral brush head shown in broken lines form no part of the claimed design.

1 Claim, 5 Drawing Sheets



(56)

References Cited

U.S. PATENT DOCUMENTS

3,878,577 A 4/1975 Jousson
 3,925,841 A 12/1975 Caliendo
 3,935,971 A 2/1976 Papoff
 3,937,582 A 2/1976 Del Bon
 3,953,907 A 5/1976 Froidevaux
 3,984,890 A 10/1976 Collis
 4,048,690 A 9/1977 Wolfson
 4,060,870 A 12/1977 Cannarella
 4,071,956 A 2/1978 Andress
 4,108,167 A 8/1978 Hickman et al.
 4,141,352 A 2/1979 Ebner et al.
 4,146,020 A 3/1979 Moret et al.
 4,223,417 A 9/1980 Solow
 4,225,994 A 10/1980 Stoltz
 4,302,186 A 11/1981 Cammack et al.
 4,346,492 A 8/1982 Solow
 4,498,209 A 2/1985 Weiss
 4,498,269 A 2/1985 Andreasen
 4,534,340 A 8/1985 Kerr et al.
 4,603,448 A 8/1986 Middleton et al.
 4,630,326 A 12/1986 Stevens
 4,766,630 A 8/1988 Hegemann
 4,795,347 A 1/1989 Maurer
 4,989,590 A 2/1991 Baum et al.
 D315,450 S 3/1991 Wagner
 5,000,684 A 3/1991 Odrich
 5,033,150 A 7/1991 Gross et al.
 5,036,562 A 8/1991 Reynolds
 5,062,413 A * 11/1991 Bullard 601/162
 5,068,939 A 12/1991 Holland
 5,094,256 A 3/1992 Barth
 5,148,567 A 9/1992 Daub
 5,177,826 A * 1/1993 Vrignaud et al. 15/22.1
 5,199,604 A 4/1993 Palmer et al.
 5,208,933 A 5/1993 Lustig et al.
 5,208,988 A 5/1993 Edelman
 D339,692 S 9/1993 Schneider
 5,253,382 A 10/1993 Beny
 5,259,083 A 11/1993 Stansbury, Jr.
 5,273,428 A 12/1993 Fischer
 5,305,491 A 4/1994 Hegemann
 5,316,027 A 5/1994 Klinkhammer
 5,327,607 A 7/1994 Wagner
 5,342,196 A 8/1994 Van Hale
 5,406,664 A 4/1995 Hukuba
 5,407,254 A 4/1995 Hegemann
 5,443,386 A 8/1995 Viskup
 5,458,563 A 10/1995 Stewart
 5,497,526 A 3/1996 Klinkhammer
 D372,586 S 8/1996 Quintanilla
 D374,351 S 10/1996 van Kempen
 5,570,709 A 11/1996 Haddad et al.
 5,593,304 A 1/1997 Ram
 5,669,097 A 9/1997 Klinkhammer
 5,673,454 A 10/1997 Quintanilla et al.
 D385,702 S 11/1997 Okada
 D386,315 S 11/1997 Vrignaud
 5,718,014 A 2/1998 deBlois et al.
 5,733,117 A 3/1998 Coss et al.
 5,758,380 A 6/1998 Vrignaud
 5,800,367 A 9/1998 Saxer et al.
 RE35,941 E 11/1998 Stansbury, Jr.
 D401,414 S 11/1998 Vrignaud
 D401,415 S 11/1998 Vrignaud
 D401,416 S 11/1998 Vrignaud
 D401,417 S 11/1998 Vrignaud
 D401,418 S 11/1998 Vrignaud
 5,842,244 A * 12/1998 Hilfinger et al. 15/22.1
 5,853,290 A 12/1998 Winston
 5,934,762 A 8/1999 Vrignaud
 5,947,729 A 9/1999 Bell
 6,019,905 A 2/2000 Waggoner
 6,138,310 A 10/2000 Porper et al.
 6,152,733 A 11/2000 Hegemann et al.
 6,203,320 B1 3/2001 Williams et al.

6,233,773 B1 5/2001 Karge et al.
 6,381,794 B1 5/2002 Porper et al.
 6,401,288 B1 6/2002 Porper et al.
 6,920,660 B2 7/2005 Lam
 7,059,853 B2 * 6/2006 Hegemann 433/80
 D585,648 S * 2/2009 Hegemann et al. D4/101
 2003/0013063 A1 1/2003 Goldman
 2007/0204413 A1 * 9/2007 Kuznetsov et al. 15/22.2
 2008/0216257 A1 * 9/2008 Ahadpour et al. 15/22.1

FOREIGN PATENT DOCUMENTS

DE 4115943 A1 11/1991
 EP 611533 A1 8/1994
 EP 865770 A1 9/1998
 FR 588348 A1 5/1925
 FR 855253 A1 5/1940
 FR 881678 A1 5/1943
 FR 911243 A1 7/1946
 FR 2618651 A1 2/1989
 FR 2641680 A1 7/1990
 GB 2192784 A1 1/1988
 WO W08000909 A1 5/1980
 WO W08901303 A1 2/1989

OTHER PUBLICATIONS

Response to Office Action for U.S. Appl. No. 10/357,564, submitted to the U.S. Patent and Trademark Office on Nov. 29, 2004.
 Office Action for U.S. Appl. No. 10/357,564, U.S. Patent and Trademark Office, mailed on Feb. 17, 2005.
 Response to Office Action for U.S. Appl. No. 10/357,564, submitted to the U.S. Patent and Trademark Office on May 17, 2005.
 Office Action for U.S. Appl. No. 10/357,564, U.S. Patent and Trademark Office, mailed on Aug. 23, 2005.
 Response to Office Action for U.S. Appl. No. 10/357,564, submitted to the U.S. Patent and Trademark Office on Nov. 22, 2005.
 Notice of Allowance for U.S. Appl. No. 10/357,564, U.S. Patent and Trademark Office, mailed on Feb. 23, 2006.
 Peristaltic Pump, http://wikipedia.org/wiki/Peristaltic_pump, Sep. 2008.
 Office Action for U.S. Appl. No. 11/453,307, U.S. Patent and Trademark Office, mailed on Jan. 7, 2008.
 Response to Office Action for U.S. Appl. No. 11/453,307, submitted to the U.S. Patent and Trademark Office on Apr. 7, 2008.
 Office Action for U.S. Appl. No. 11/453,307, U.S. Patent and Trademark office, mailed on Sep. 30, 2008.
 Response to Office Action for U.S. Appl. No. 11/453,307, submitted to the U.S. Patent and Trademark Office on Dec. 1, 2008.
 Office Action for U.S. Appl. No. 11/453,307, U.S. Patent and Trademark office, mailed on Dec. 15, 2008.
 Response to Office Action for U.S. Appl. No. 11/453,307, submitted to the U.S. Patent and Trademark Office on Dec. 29, 2008.
 Office Action for U.S. Appl. No. 11/453.307, U.S. Patent and Trademark office, mailed on Mar. 30, 2009.
 Response to Office Action for U.S. Appl. No. 11/453,307, submitted to the U.S. Patent and Trademark Office on Jun. 30, 2009.
 Office Action for U.S. Appl. No. 11/453,307, U.S. Patent and Trademark office, mailed on Oct. 19, 2009.
 Office Action for U.S. Appl. No. 11/864,478, U.S. Patent and Trademark office, mailed on Oct. 21, 2009.
 Office Action for U.S. Appl. No. 12/168,774, U.S. Patent and Trademark office, mailed on Apr. 22, 2009.
 Response to Office Action for U.S. Appl. No. 12/168,774, submitted to the U.S. Patent and Trademark Office on Jul. 22, 2009.
 Office Action for U.S. Appl. No. 12/168,774, U.S. Patent and Trademark office, mailed on Oct. 20, 2009.
 Office Action for U.S. Appl. No. 12/170,611, U.S. Patent and Trademark office, mailed on Apr. 24, 2009.
 Response to Office Action for U.S. Appl. No. 12/170,611, submitted to the U.S. Patent and Trademark Office on Jul. 24, 2009.
 Office Action for U.S. Appl. No. 29/280,205, U.S. Patent and Trademark office, mailed on Jul. 16, 2008.

(56)

References Cited

OTHER PUBLICATIONS

Response to Office Action for U.S. Appl. No. 29/280,205, submitted to the U.S. Patent and Trademark Office on Sep. 8, 2008.

Acrylonitrile butadiene styrene. Granta Material Intelligence. www.grantadesign.com/solutions/education/ABS.htm.

* cited by examiner

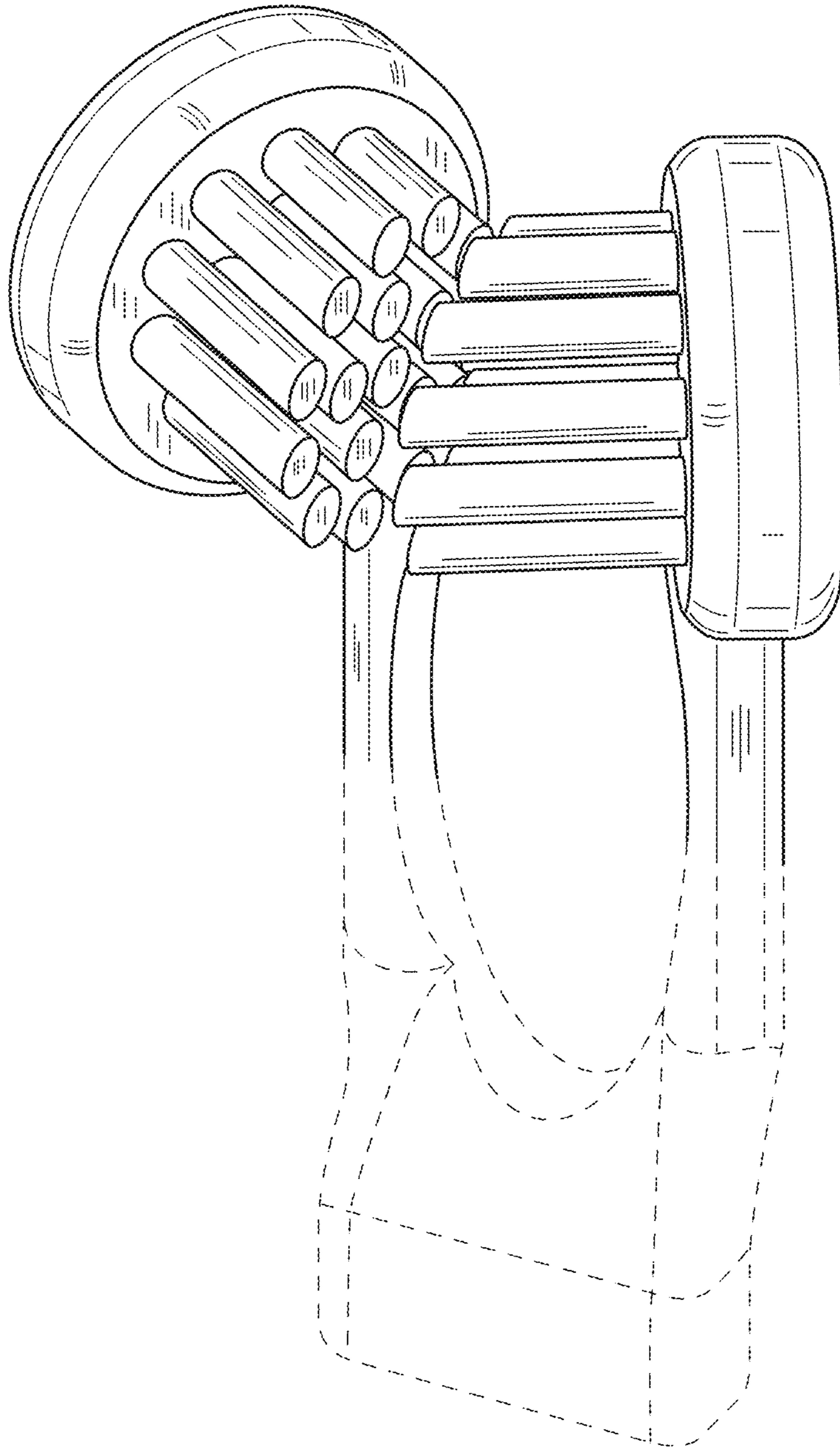


FIG.1

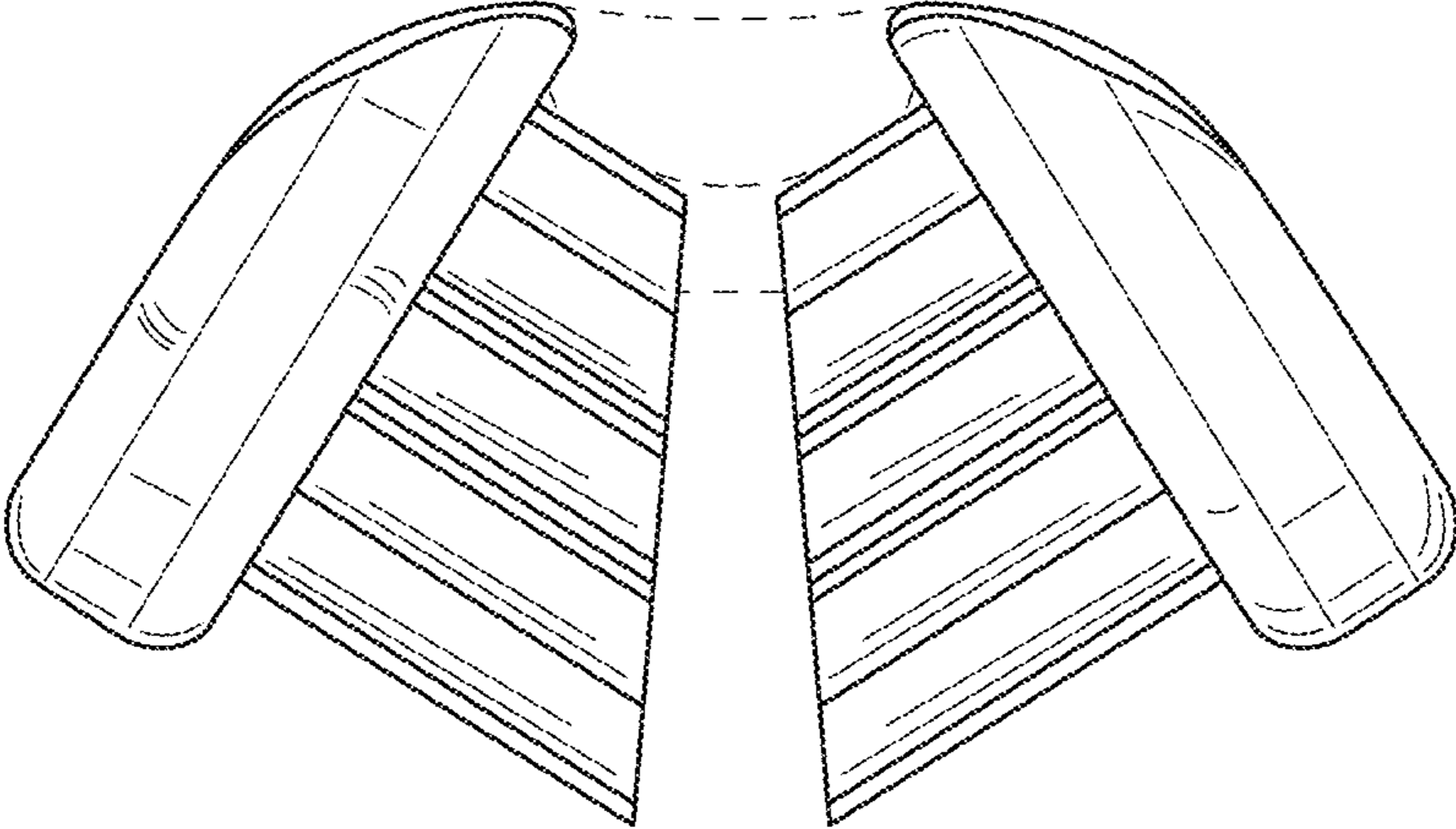


FIG. 2

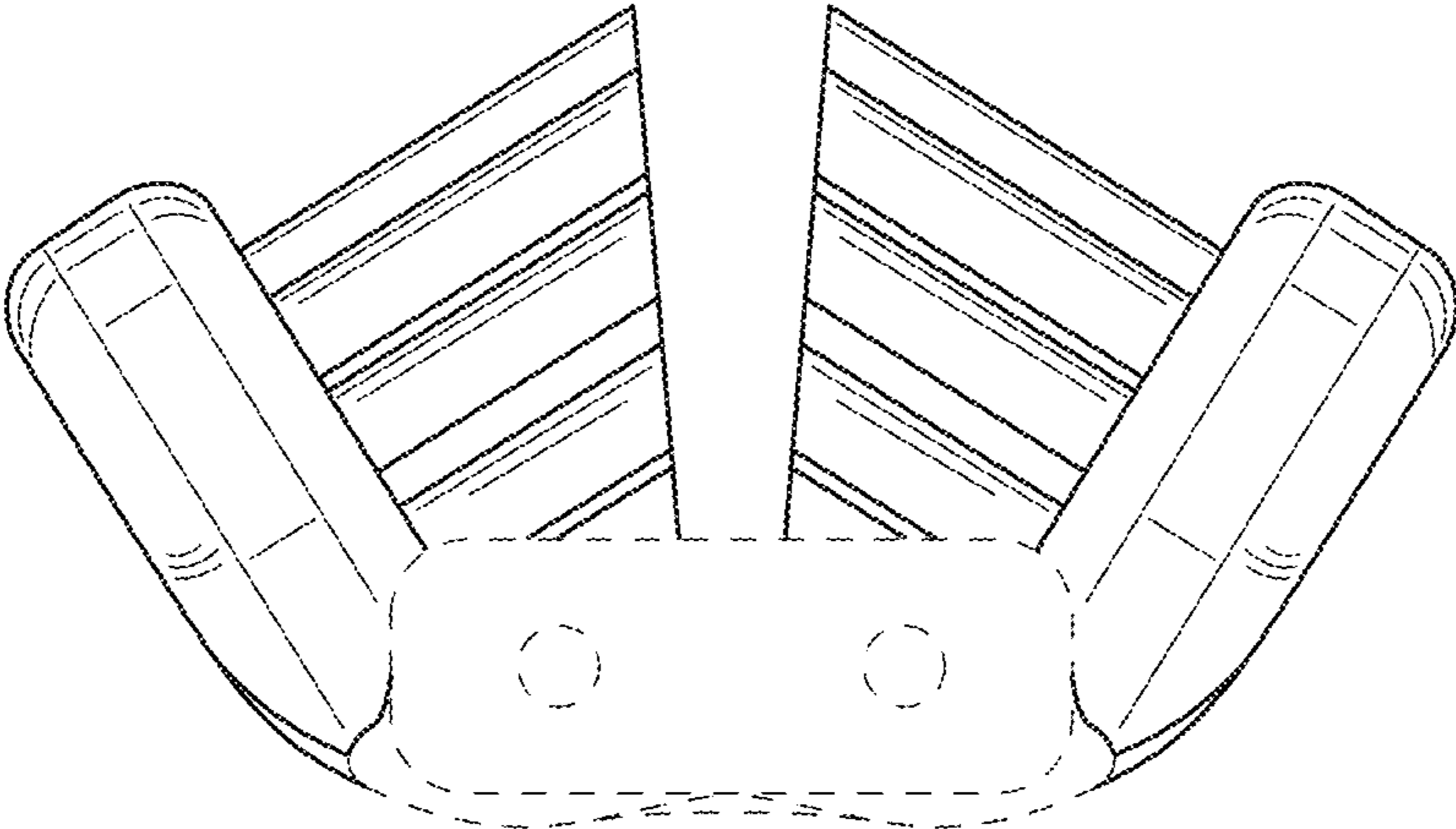


FIG. 3

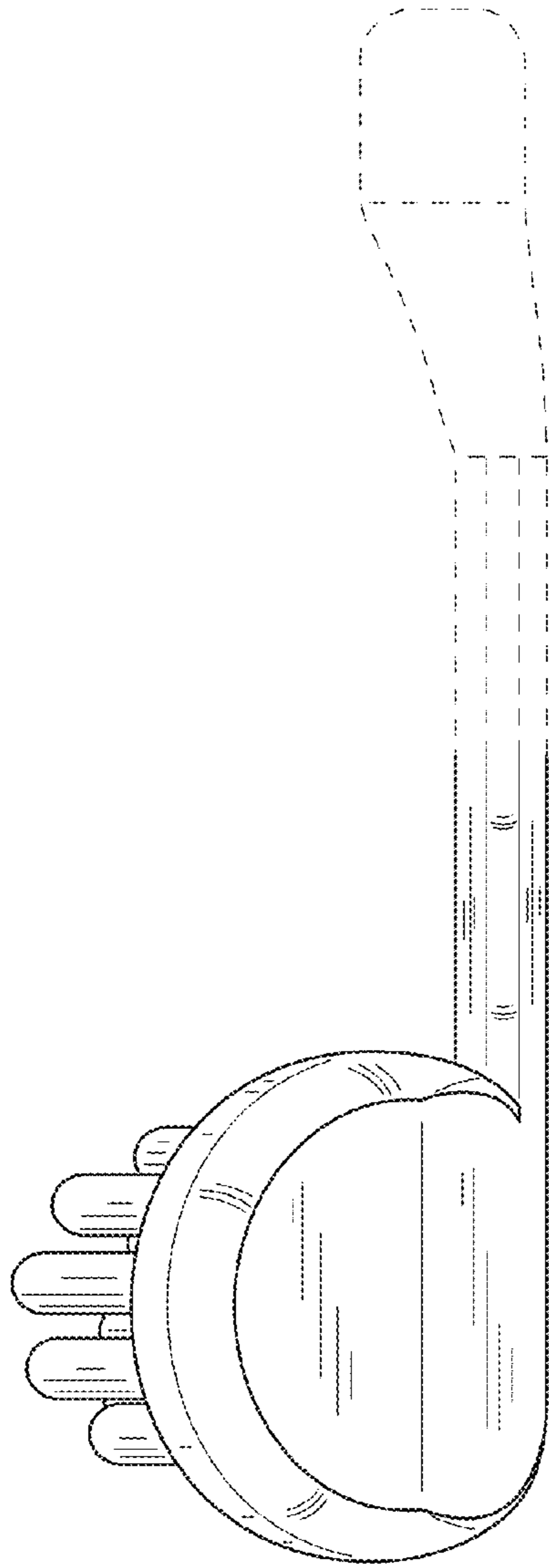


FIG.4

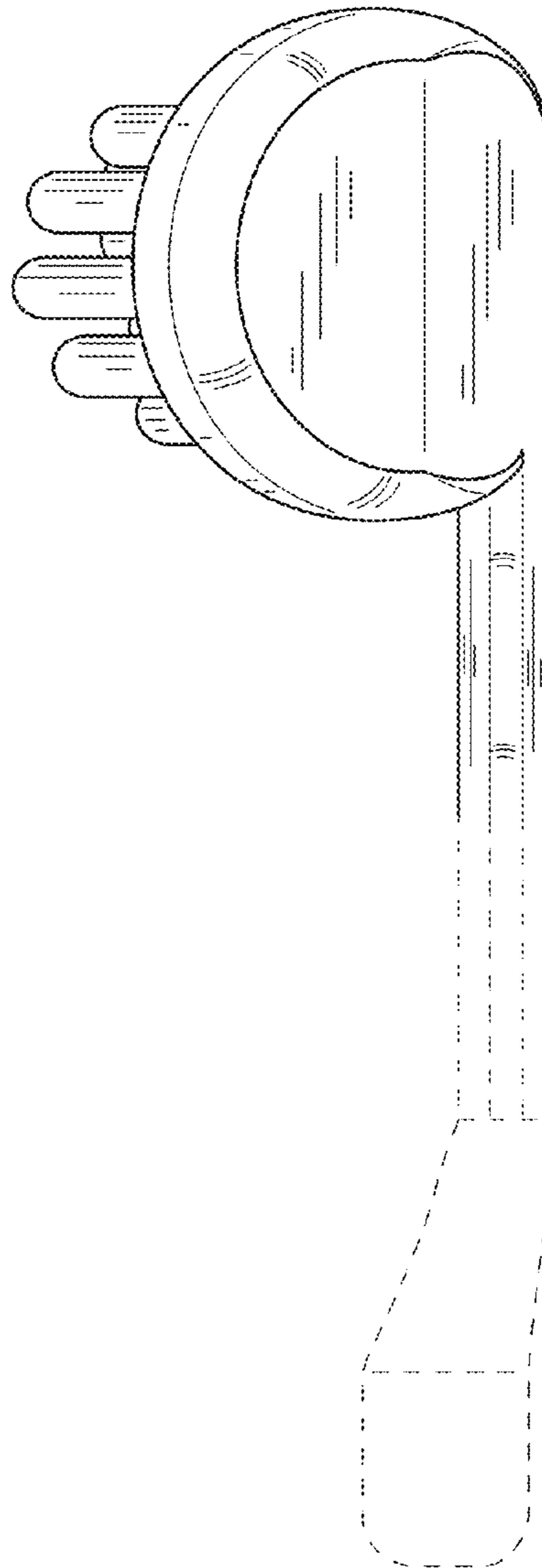


FIG.5

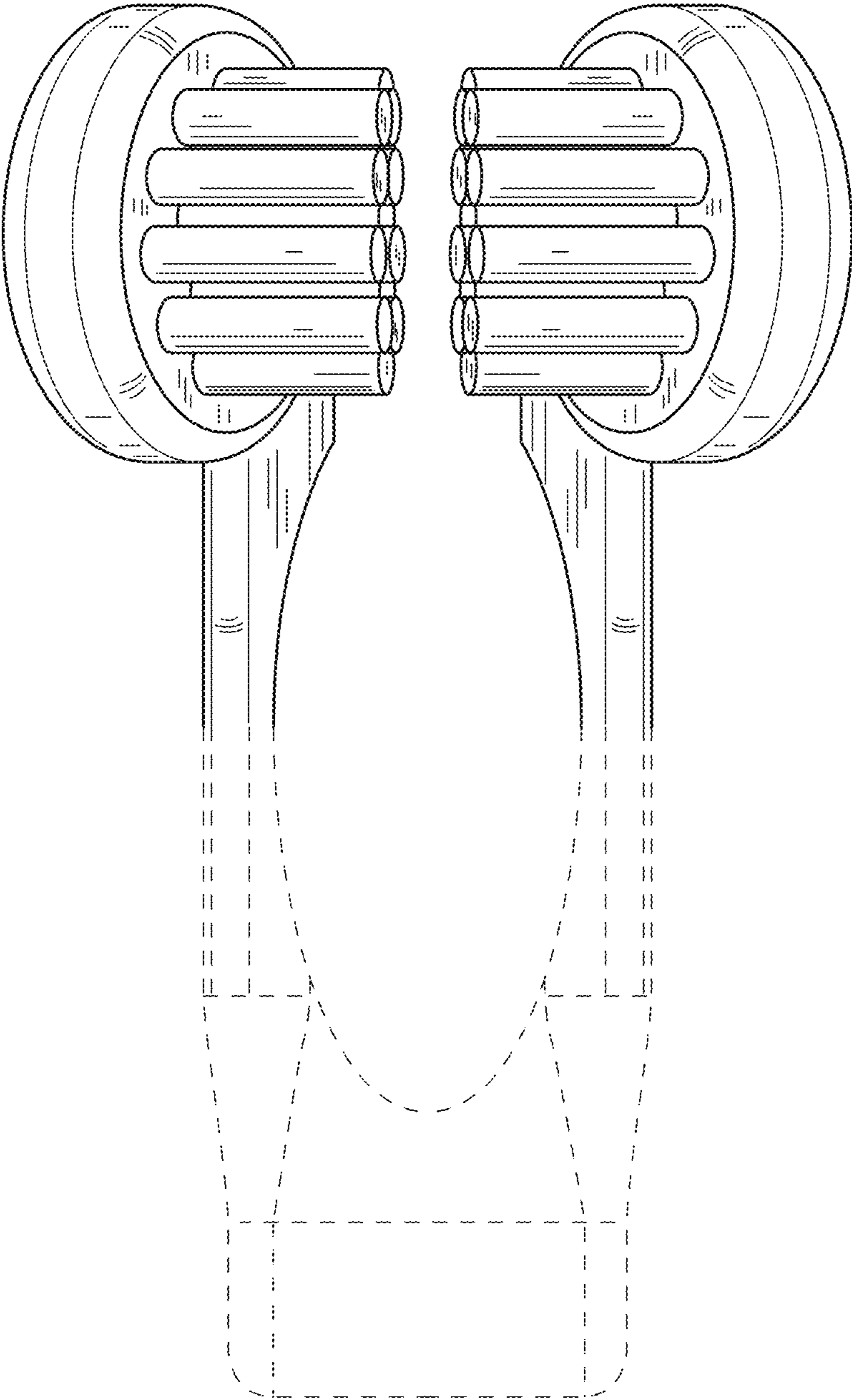


FIG.6

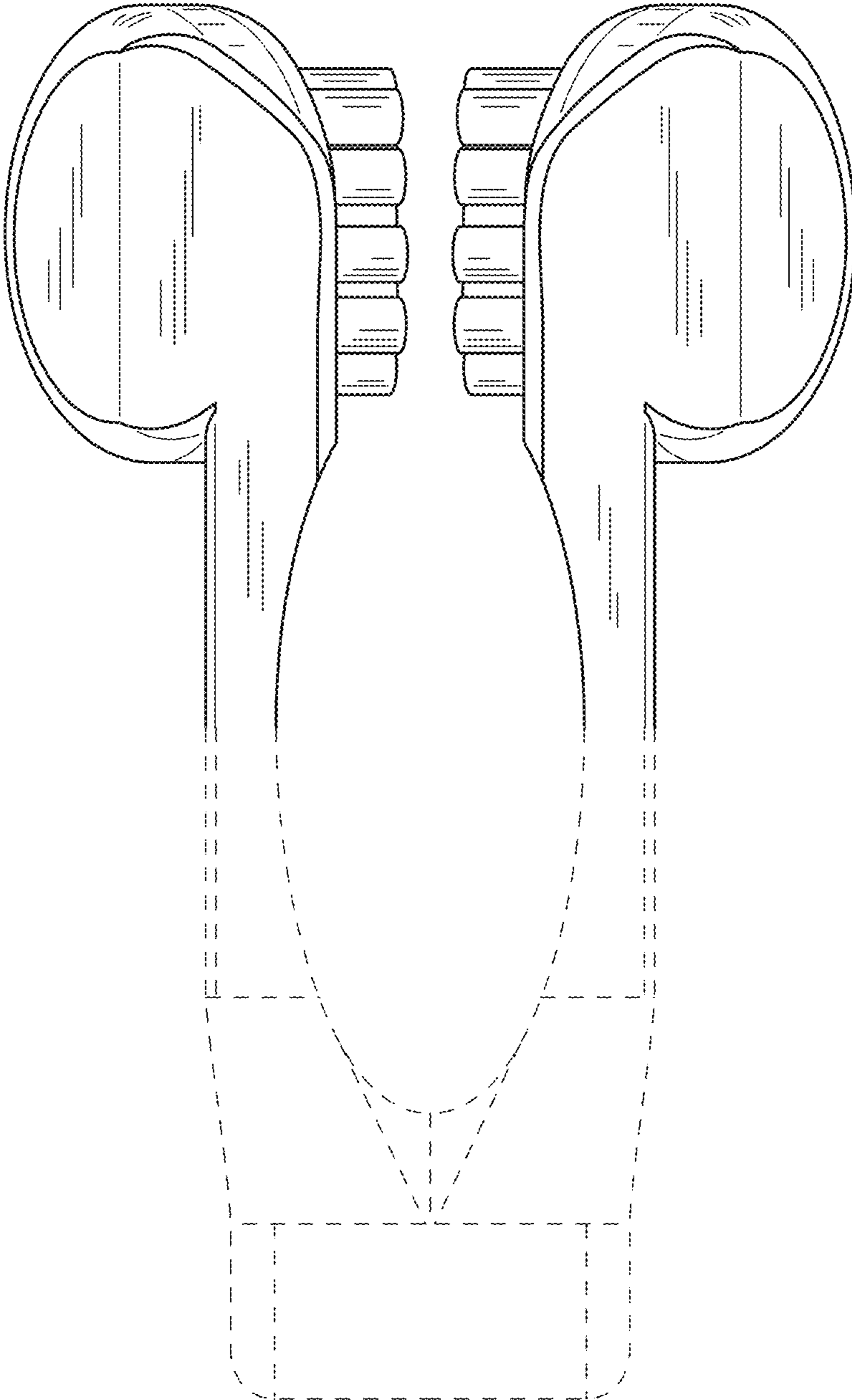


FIG.7