



US00D696019S

(12) **United States Design Patent**
Sener et al.

(10) **Patent No.:** **US D696,019 S**
(45) **Date of Patent:** **** Dec. 24, 2013**

(54) **HANDLE FOR LUGGAGE**

FOREIGN PATENT DOCUMENTS

(71) Applicant: **Travelpro International Inc.**, Boca Raton, FL (US)

CN 2440362 Y 8/2001
CN 1622773 A 6/2005

(Continued)

(72) Inventors: **James T. Sener**, Glastonbury, CT (US); **Christopher D. Hageman**, South Glastonbury, CT (US); **David L. Mathieu**, Colchester, CT (US); **Scott Smith**, Hartford, CT (US)

OTHER PUBLICATIONS

Comfort Grip Luggage Handle Extender, <http://www.flightattendantshop.com/product/detail.cfm/nid/6/pid/267>, Oct. 14, 2010, 1 page.

(Continued)

(73) Assignee: **Travelpro International Inc.**, Boca Raton, FL (US)

Primary Examiner — Holly Baynham

(**) Term: **14 Years**

(74) *Attorney, Agent, or Firm* — Reising Ethington P.C.

(21) Appl. No.: **29/453,238**

(22) Filed: **Apr. 26, 2013**

(57) **CLAIM**

What is claimed is the ornamental design for a handle for luggage, as shown and described.

Related U.S. Application Data

(63) Continuation of application No. PCT/US2011/057207, filed on Oct. 21, 2011.

DESCRIPTION

(51) **LOC (9) Cl.** **03-01**

(52) **U.S. Cl.**
USPC **D3/318**

(58) **Field of Classification Search**
USPC D3/272, 284, 318; 190/18 A, 110–115
See application file for complete search history.

FIG. 1 is a perspective view of a handle, according to an embodiment of the present design;
FIG. 2 is another perspective view of the handle of FIG. 1;
FIG. 3 is a front elevation view of the handle of FIG. 1;
FIG. 4 is a rear elevation view of the handle of FIG. 1;
FIG. 5 is a top plan view of the handle of FIG. 1;
FIG. 6 is a bottom plan view of the handle of FIG. 1;
FIG. 7 is a first side elevation view of the handle of FIG. 1;
and,
FIG. 8 is a second side elevation view of the handle of FIG. 1.
The broken lines showing a portion of the handle and grip detail are for the purposes of illustrating environment and form no part of the claimed design.

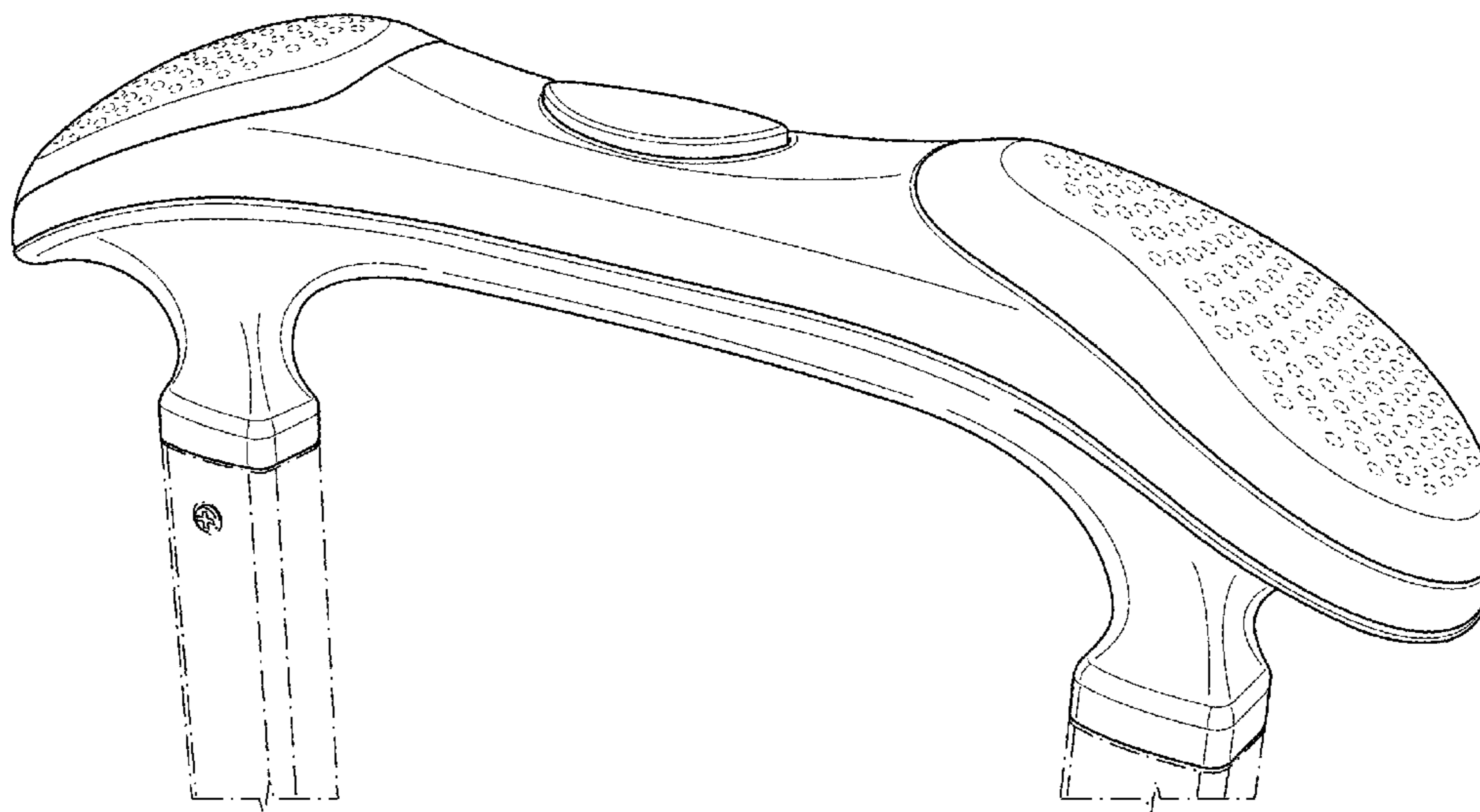
(56) **References Cited**

U.S. PATENT DOCUMENTS

3,813,729 A 6/1974 Szabo et al.
4,989,511 A 2/1991 Clarke, Jr.
5,377,795 A 1/1995 Berman
5,452,778 A 9/1995 Wang

(Continued)

1 Claim, 6 Drawing Sheets



(56)

References Cited

U.S. PATENT DOCUMENTS

5,630,250	A	5/1997	Chou	
5,669,103	A	9/1997	Hui	
5,762,168	A	6/1998	Miyoshi	
5,782,325	A	7/1998	O'Shea et al.	
5,914,425	A	6/1999	Meisel et al.	
5,964,451	A	10/1999	Sudheimer	
6,193,033	B1	2/2001	Sadow et al.	
6,301,746	B1	10/2001	Myers et al.	
6,434,790	B1	8/2002	Chen	
7,438,308	B2	10/2008	Kim et al.	
7,461,730	B2	12/2008	Costa et al.	
7,467,696	B2	12/2008	Wu	
D591,511	S *	5/2009	Wu	D3/318
D637,398	S *	5/2011	Jiang	D3/318
D648,132	S *	11/2011	Wu	D3/318
D651,803	S *	1/2012	Wu	D3/318
2002/0014382	A1	2/2002	Kuo	
2002/0024189	A1	2/2002	Chen	
2003/0079950	A1	5/2003	Lin et al.	
2006/0031994	A1	2/2006	Willat et al.	

2007/0158159	A1	7/2007	Burgess
2007/0266527	A1	11/2007	Chen
2008/0308370	A1	12/2008	Chung et al.

FOREIGN PATENT DOCUMENTS

CN	2825016	Y	10/2006
CN	2894387	Y	5/2007
CN	201451800	U	5/2010
WO	WO 03/063637	A2	8/2003

OTHER PUBLICATIONS

Thumb Pad on a Cup, <http://www.promotional-gifts-inc.com/custom-wholesale/Drinkware-Mugs/Spruzzo-15oz-Plastic-Mug-with-Steel-Interior-Handle-6253.htm>, Oct. 14, 2010, 1 page.

Werks Traveler 20" Deluxe Wheeled Travel Bag, <http://www.wellpromo.com/upload/upimg60/Werks-Traveler-20-Deluxe-Whee-151660.jpg>, Oct. 14, 2010, 1 page.

Evaluation Report of Utility Model Patent, State Intellectual Property Office of the People's Republic of China, Mailing Date May 30, 2013, 7 pages.

* cited by examiner

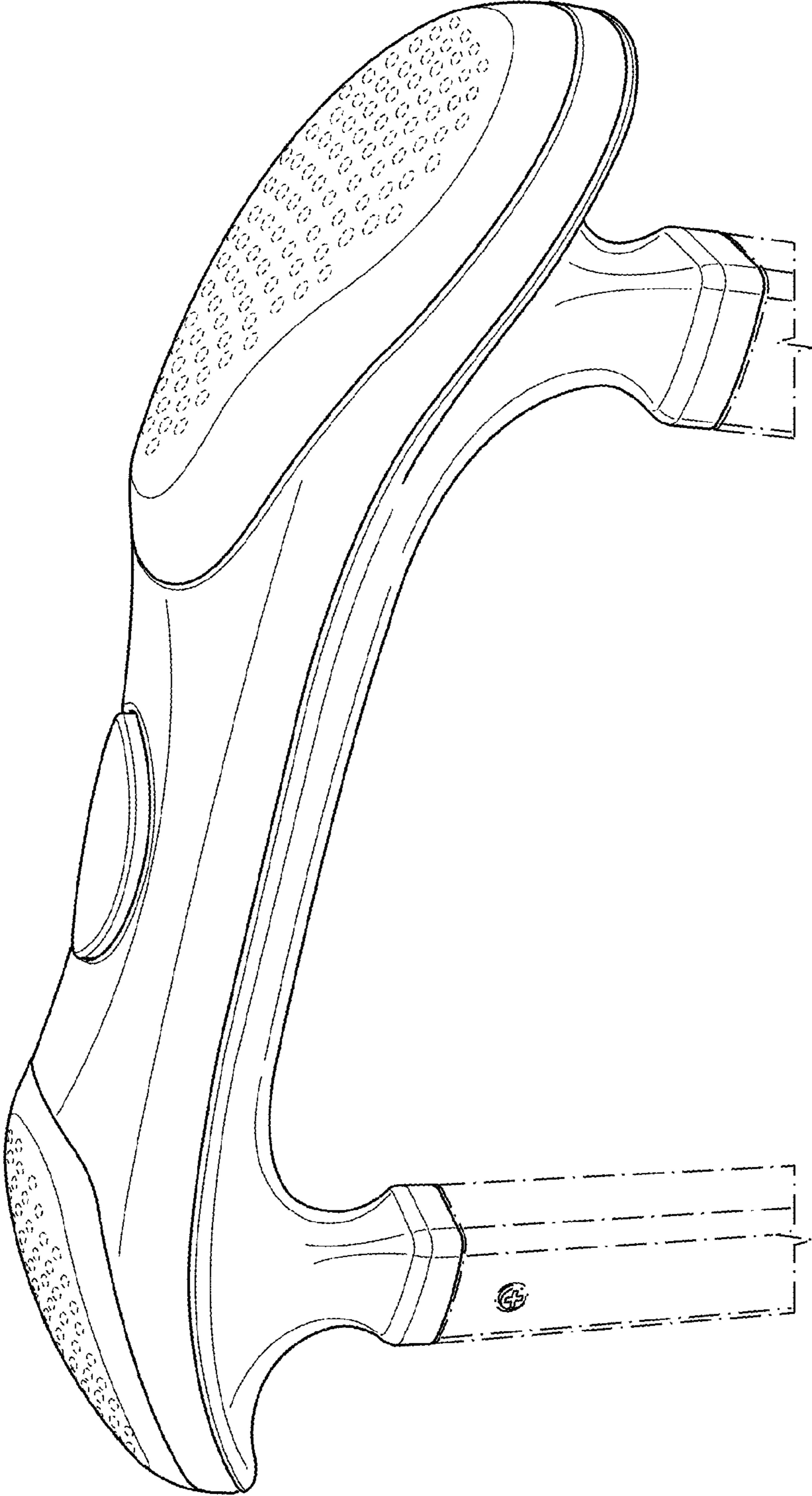


FIG. 1

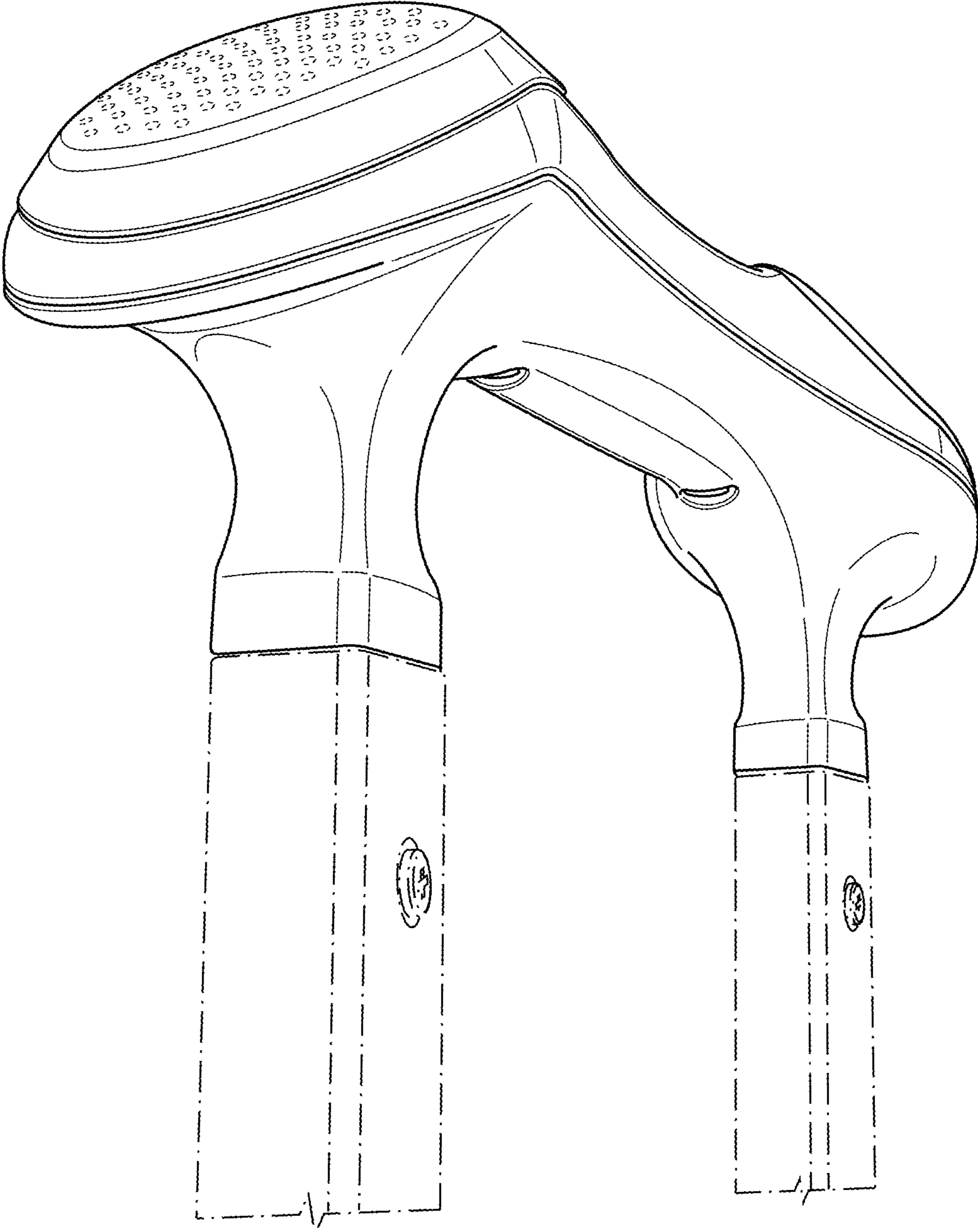


FIG. 2

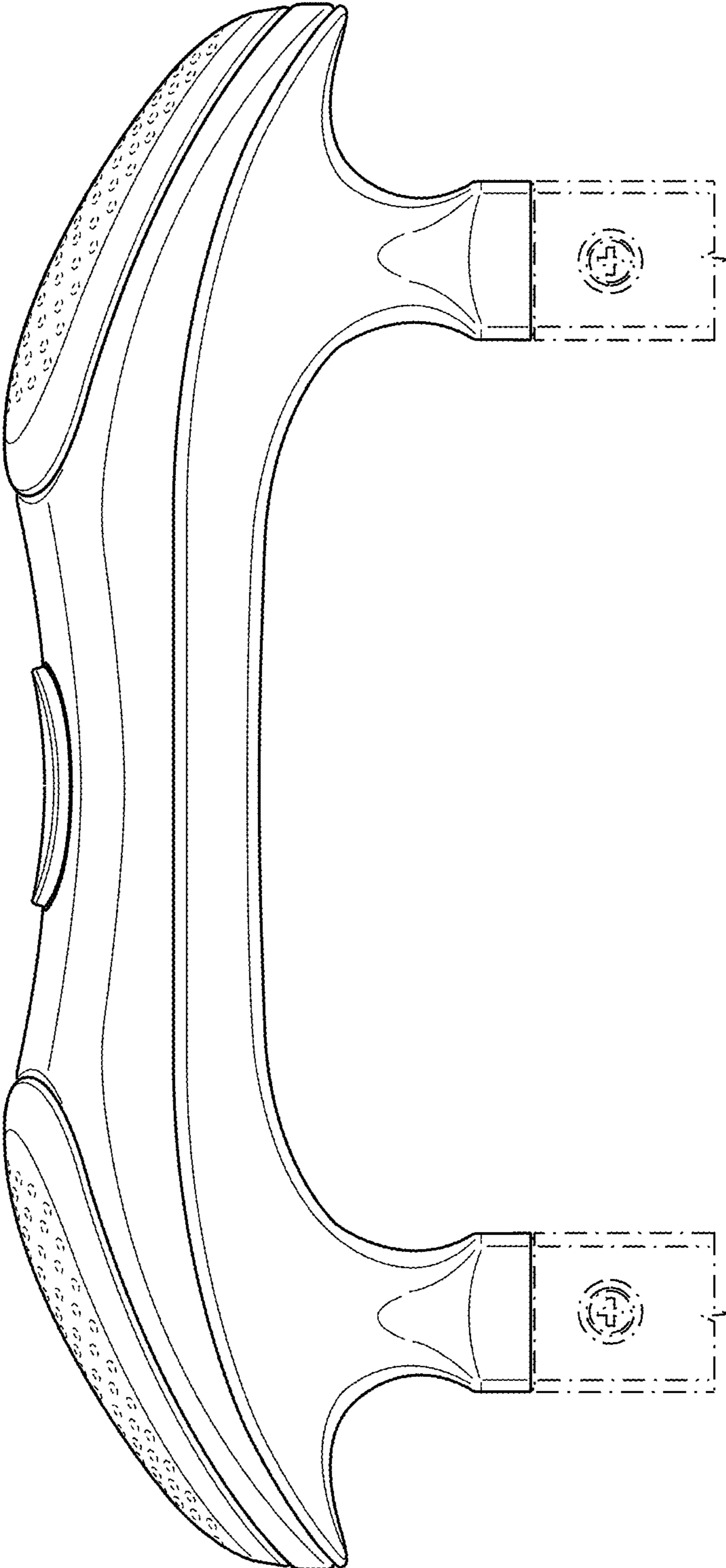


FIG. 3

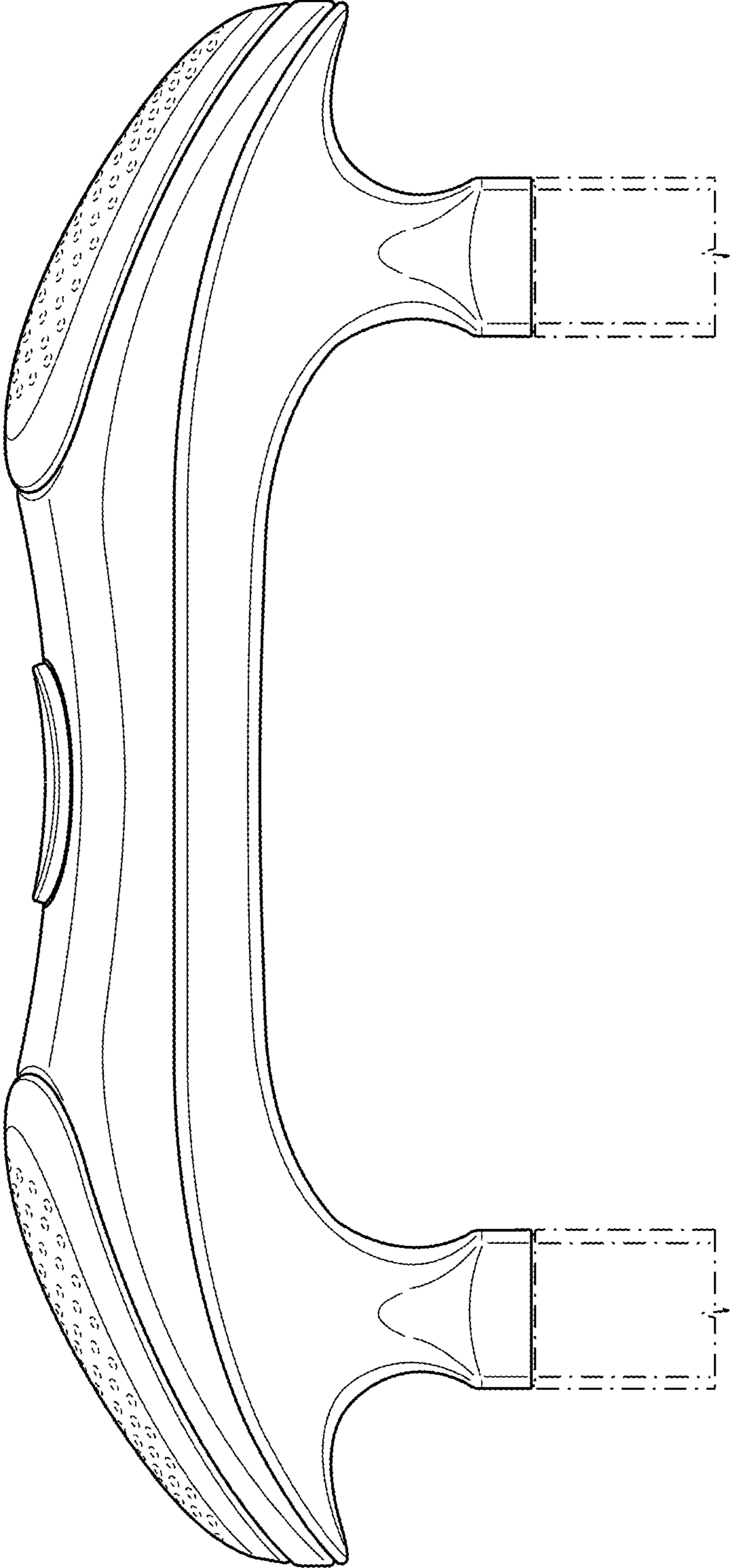


FIG. 4

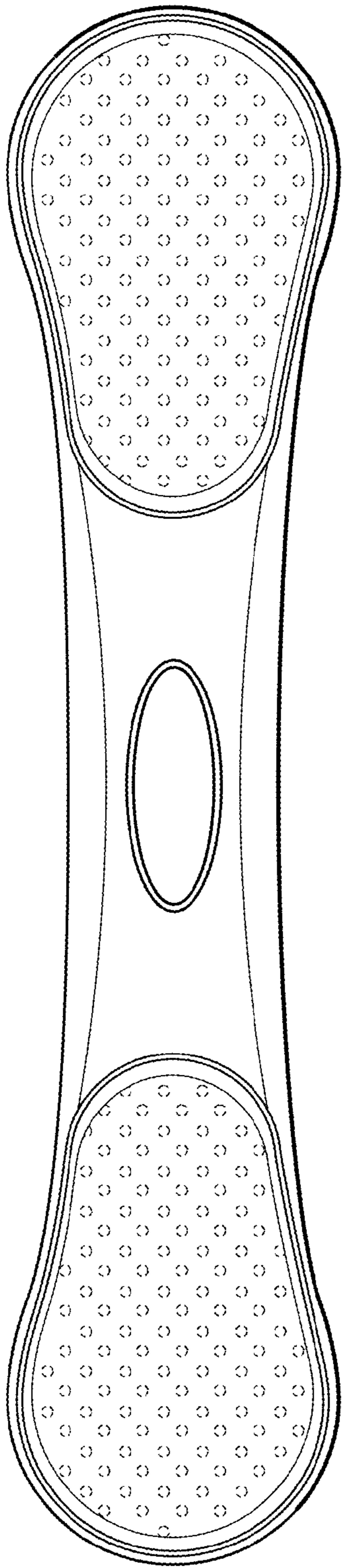


FIG. 5

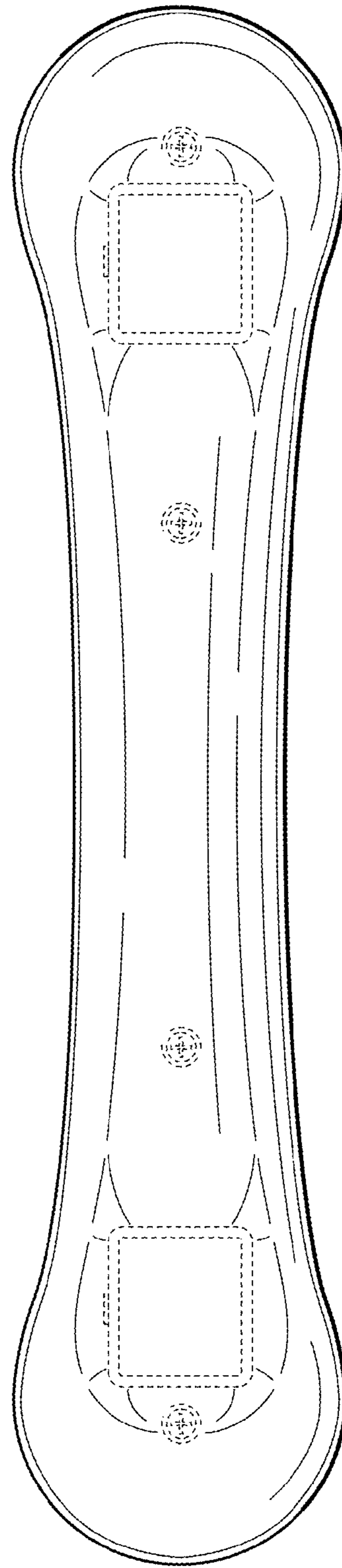


FIG. 6

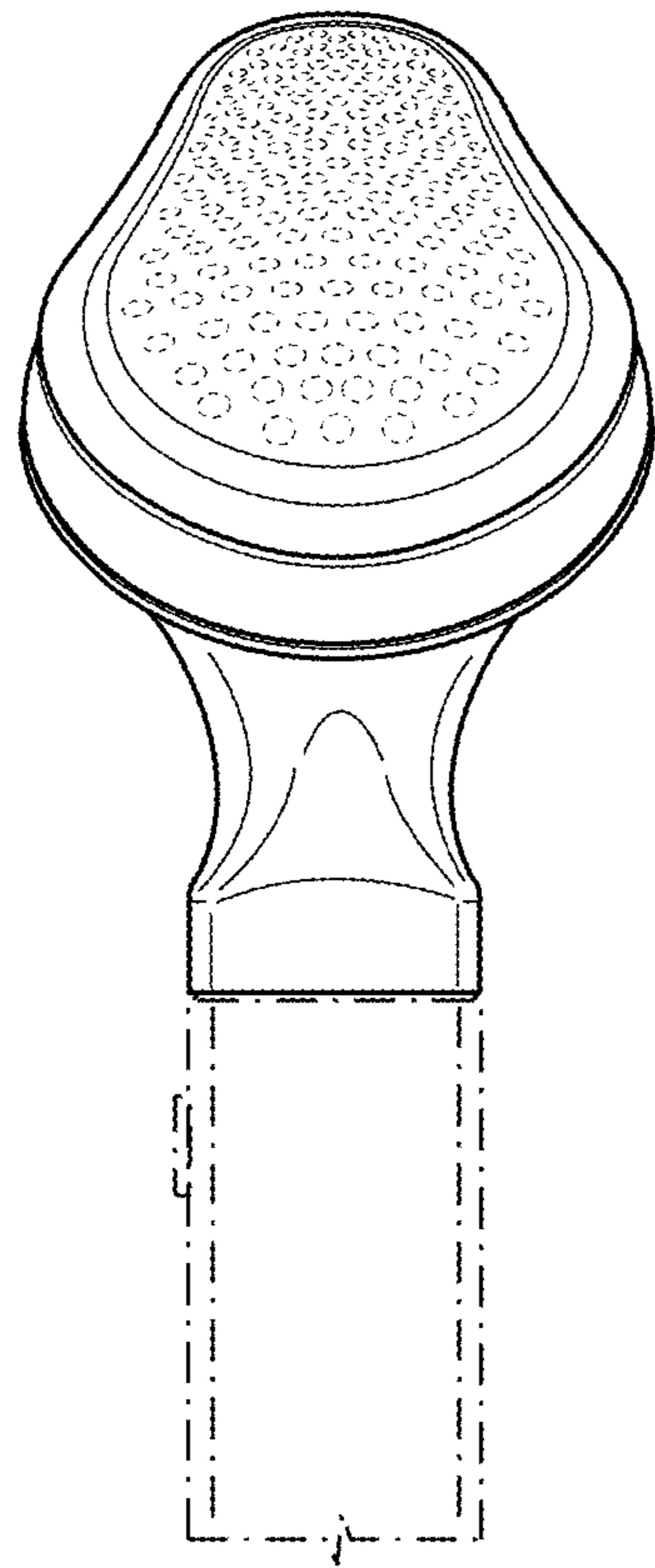


FIG. 7

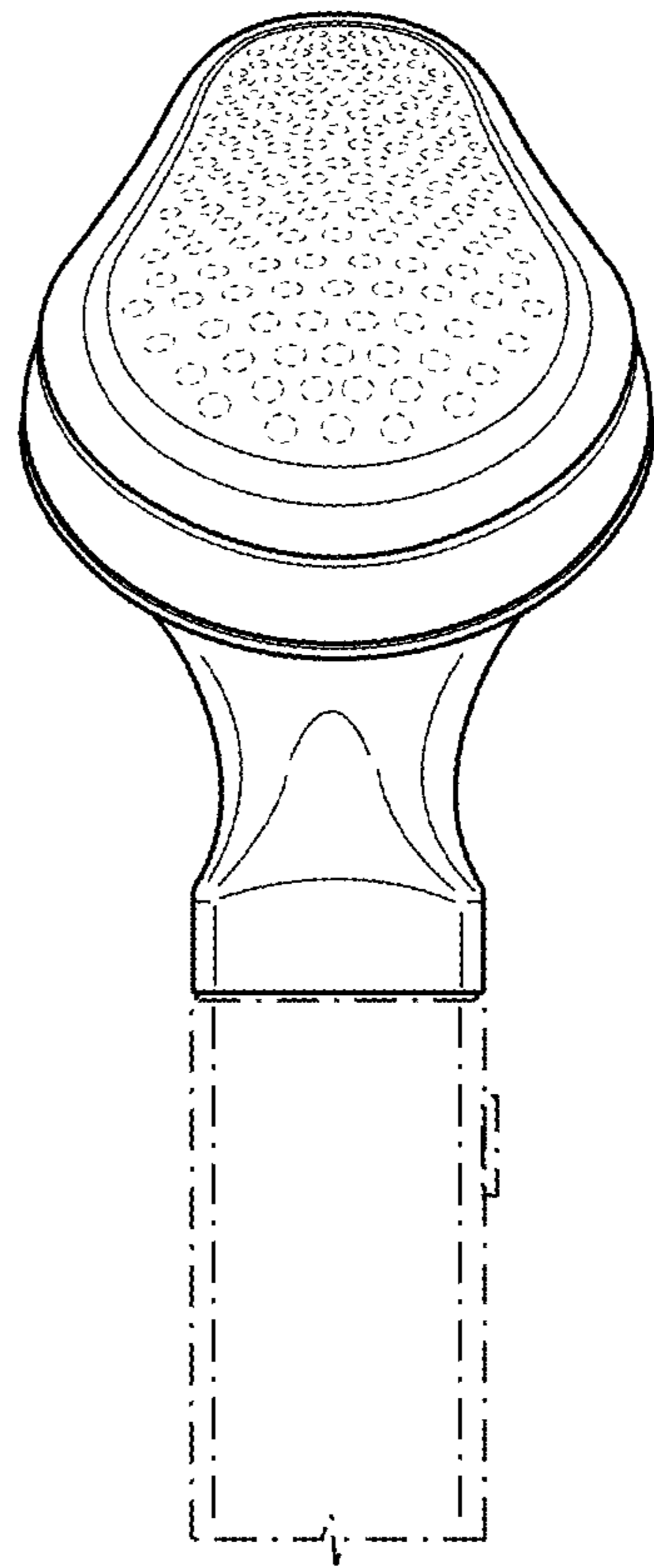


FIG. 8