



US00D696017S

(12) **United States Design Patent**
Lagerfeld

(10) **Patent No.:** **US D696,017 S**

(45) **Date of Patent:** **** Dec. 24, 2013**

(54) **CLASP**

(75) Inventor: **Karl Lagerfeld**, Paris (FR)

(73) Assignee: **Chanel, Inc.**, New York, NY (US)

(**) Term: **14 Years**

(21) Appl. No.: **29/415,004**

(22) Filed: **Mar. 6, 2012**

(30) **Foreign Application Priority Data**

Sep. 8, 2011 (JP) 2011-020455

(51) **LOC (9) Cl.** **03-01**

(52) **U.S. Cl.**
USPC **D3/318**

(58) **Field of Classification Search**
USPC D3/232-233, 240-246, 318
See application file for complete search history.

(56) **References Cited**

U.S. PATENT DOCUMENTS

D510,660 S * 10/2005 Suppangig D3/246

D596,850 S * 7/2009 Smith D3/232

* cited by examiner

Primary Examiner — Holly Baynham

(74) *Attorney, Agent, or Firm* — Fross Zelnick Lehrman & Zissu, P.C.; Charles T. J. Weigell, Esq.

(57) **CLAIM**

The ornamental design for clasp, as shown and described.

DESCRIPTION

FIG. 1 is a front perspective view of a clasp, showing my new design;

FIG. 2 is a front elevational view of FIG. 1;

FIG. 3 is a rear elevational view of FIG. 1;

FIG. 4 is a right-side elevational view of FIG. 1;

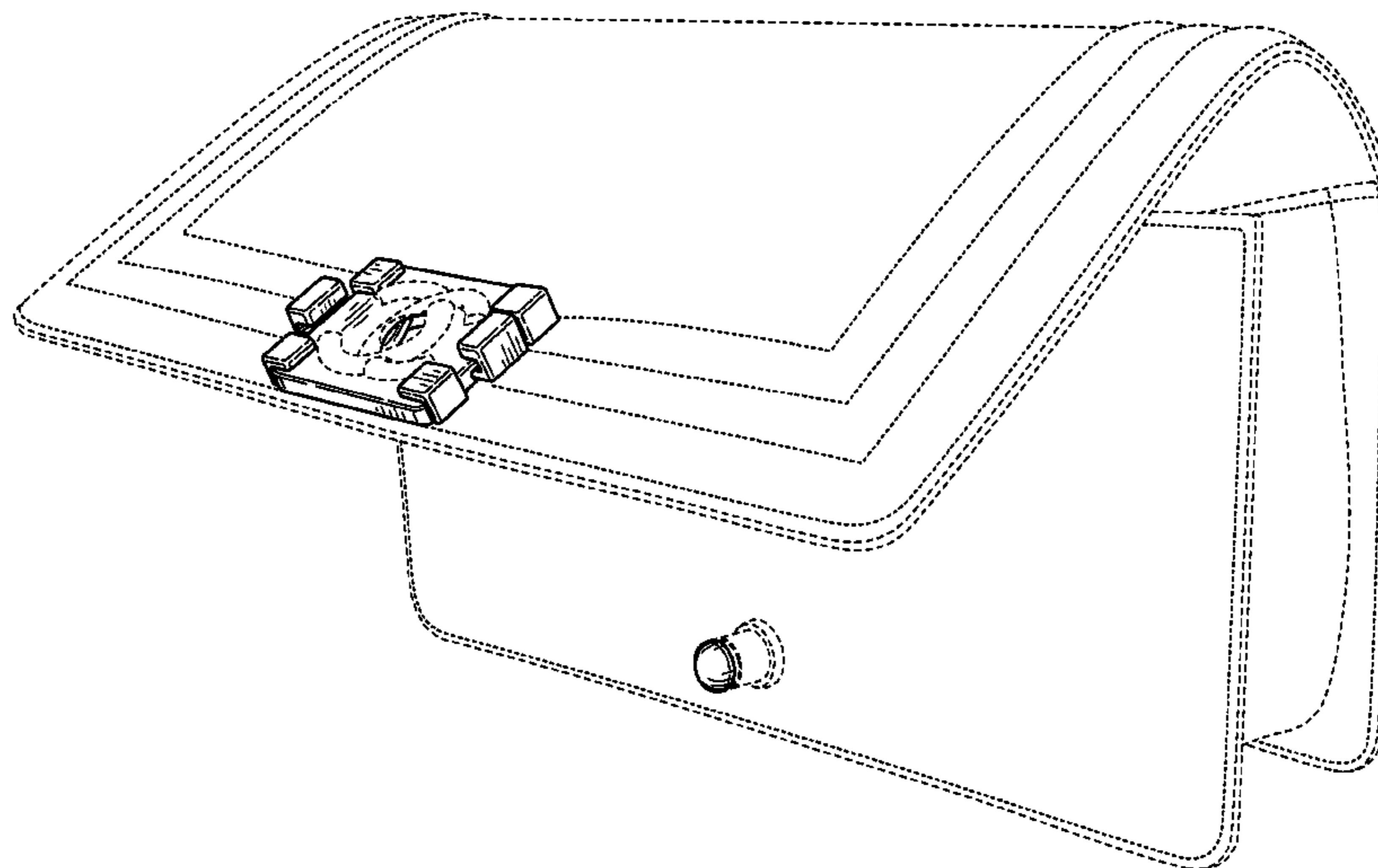
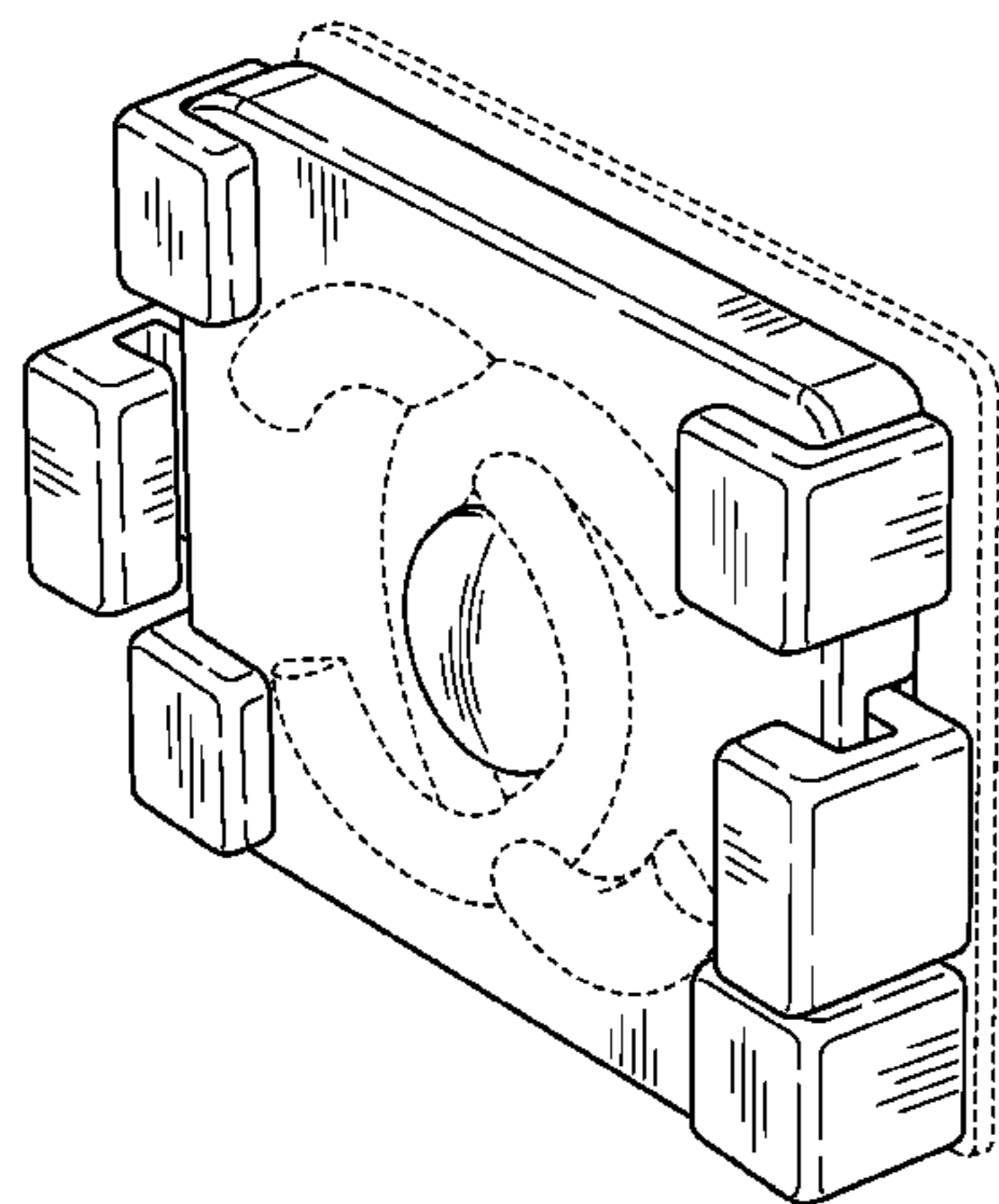
FIG. 5 is a left-side elevational view of FIG. 1;

FIG. 6 is a top plan view of FIG. 1; and,

FIG. 7 is a perspective view of the clasp in FIG. 1, shown in an opened position.

The broken lines showing the handbag and portion of the clasp are for the purposes of illustrating environment and form no part of the claimed design.

1 Claim, 4 Drawing Sheets



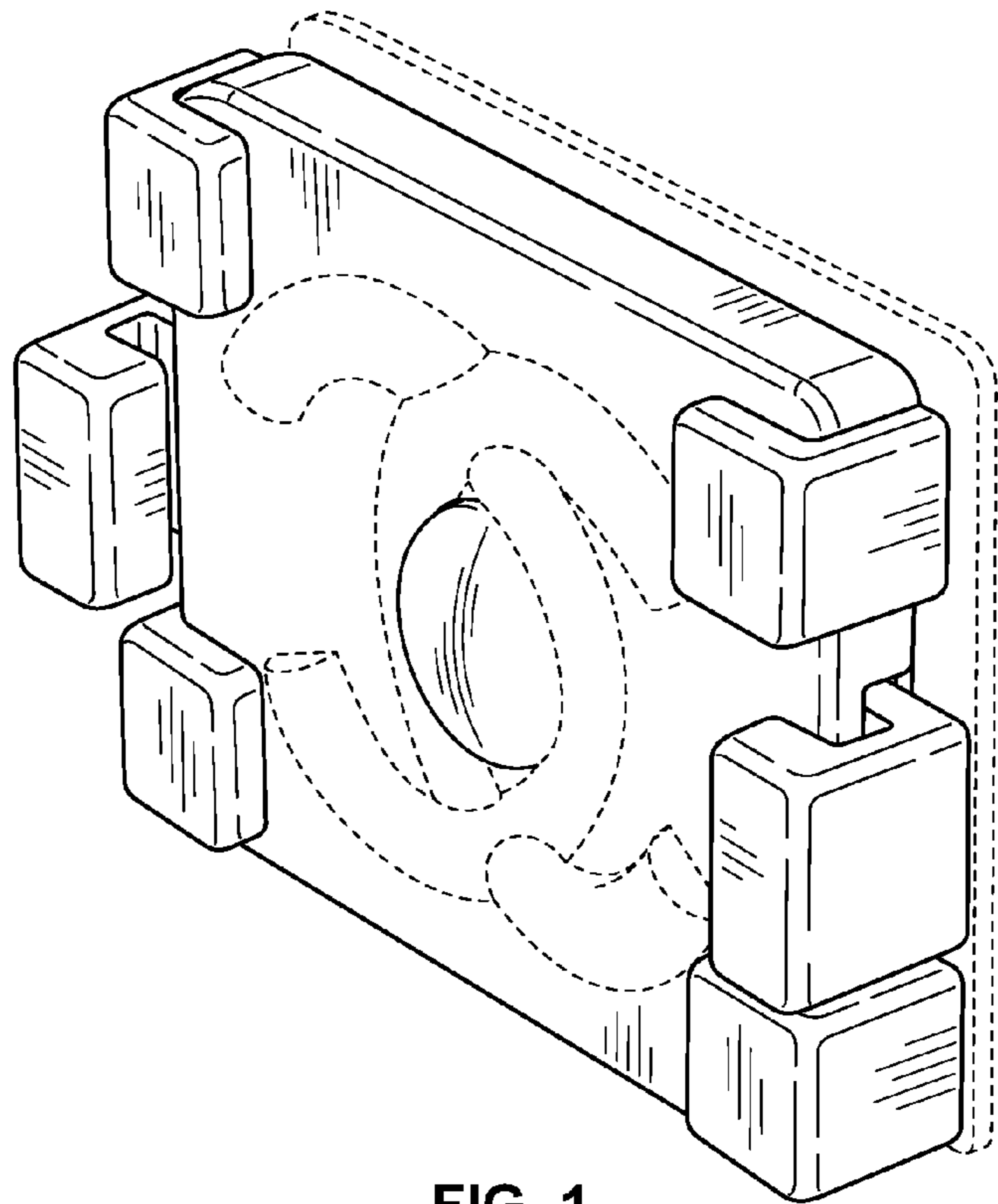


FIG. 1

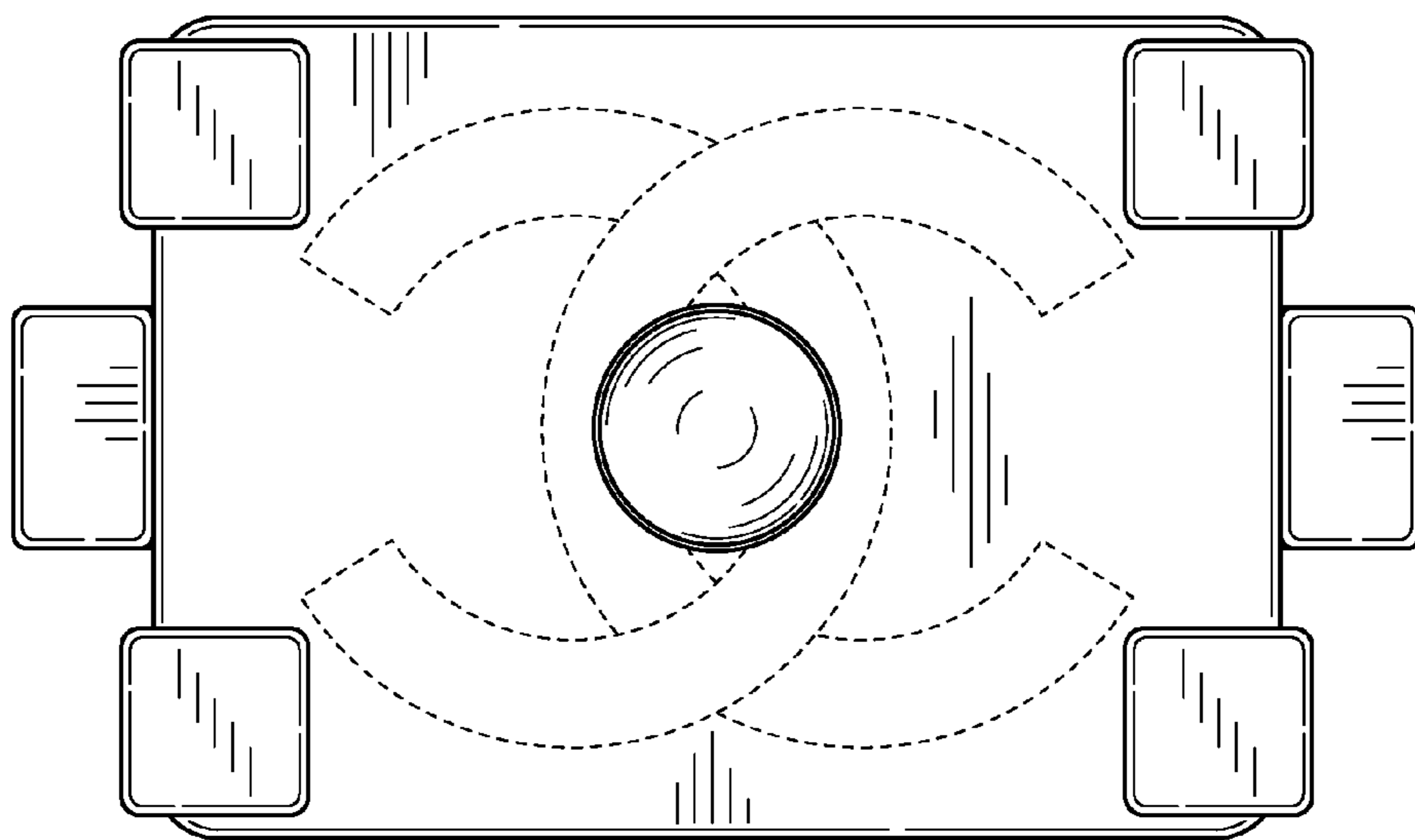


FIG. 2

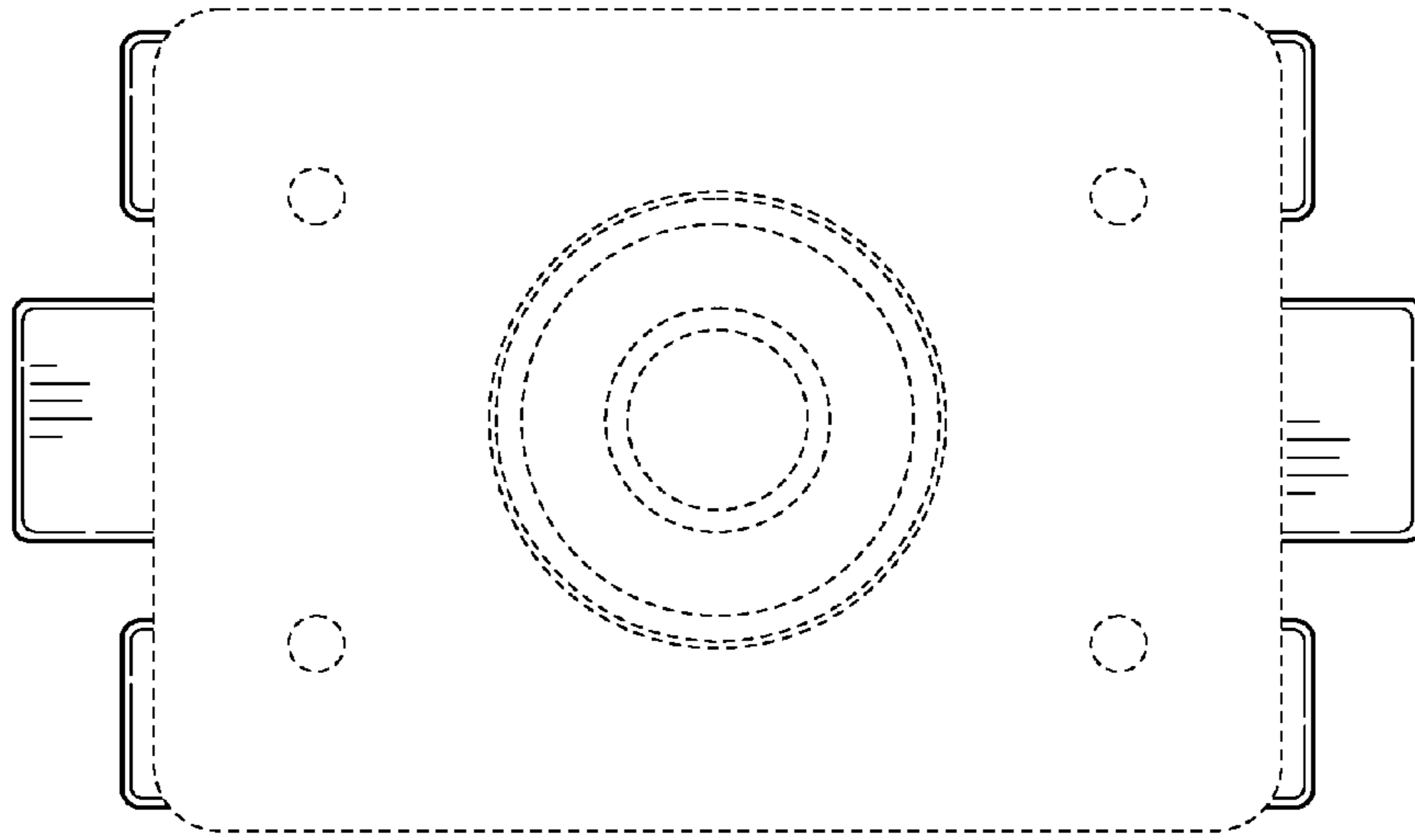


FIG. 3

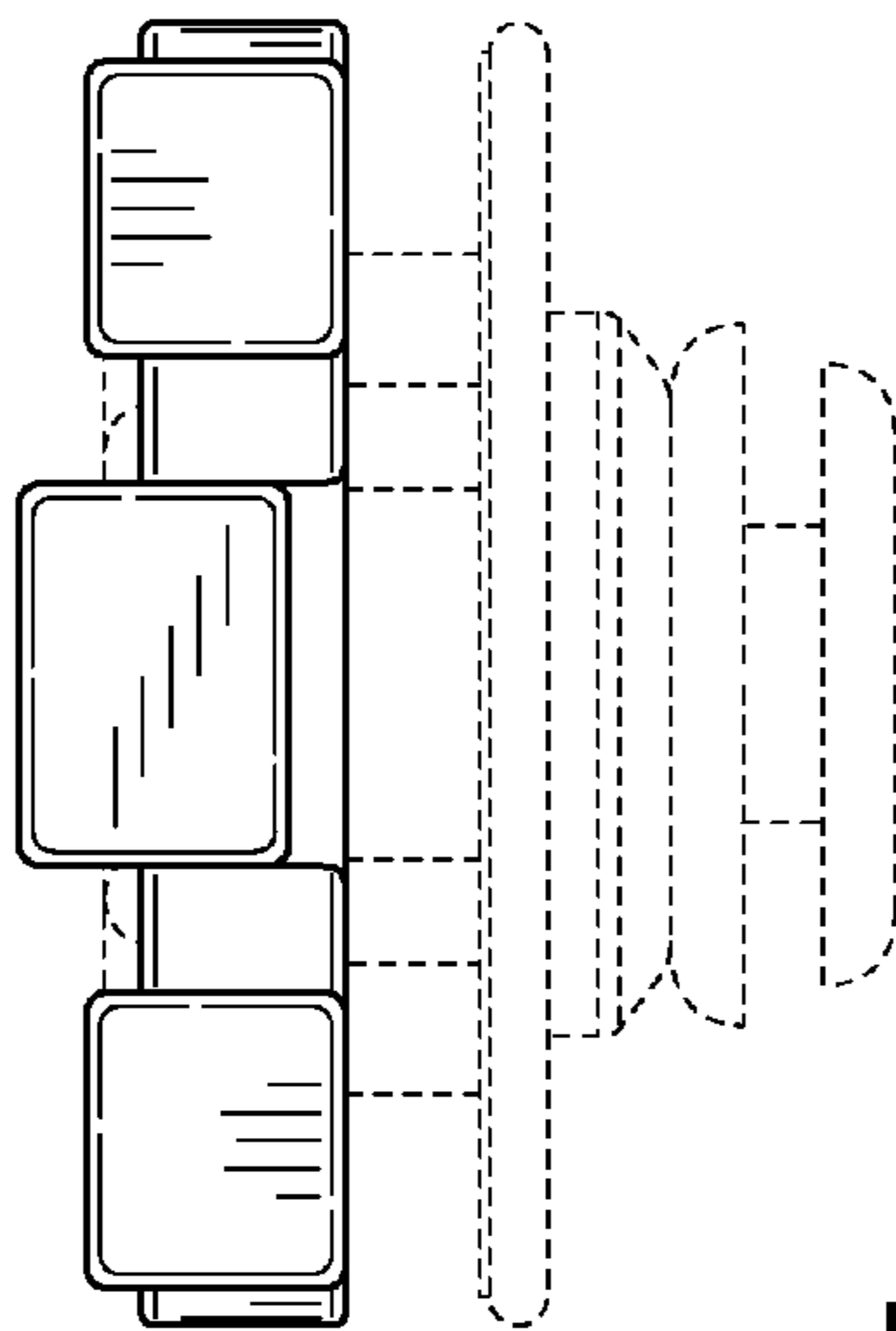


FIG. 4

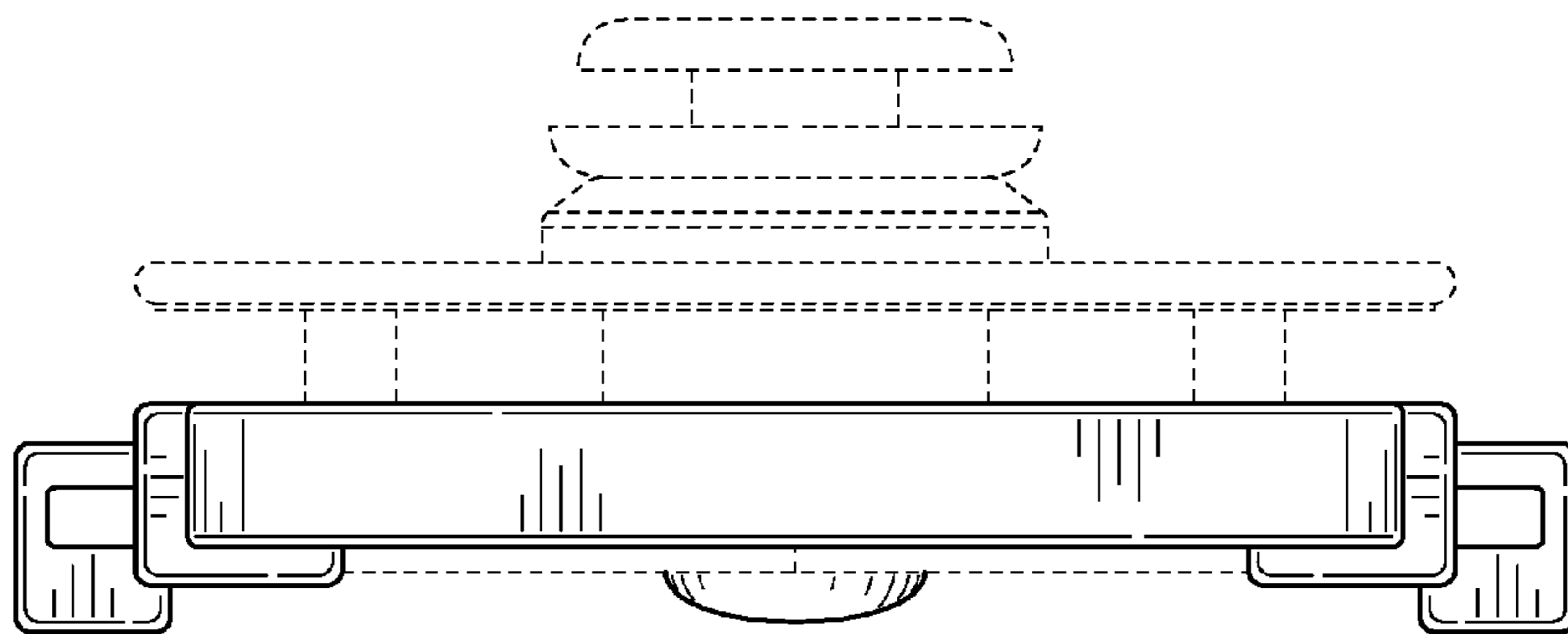


FIG. 5

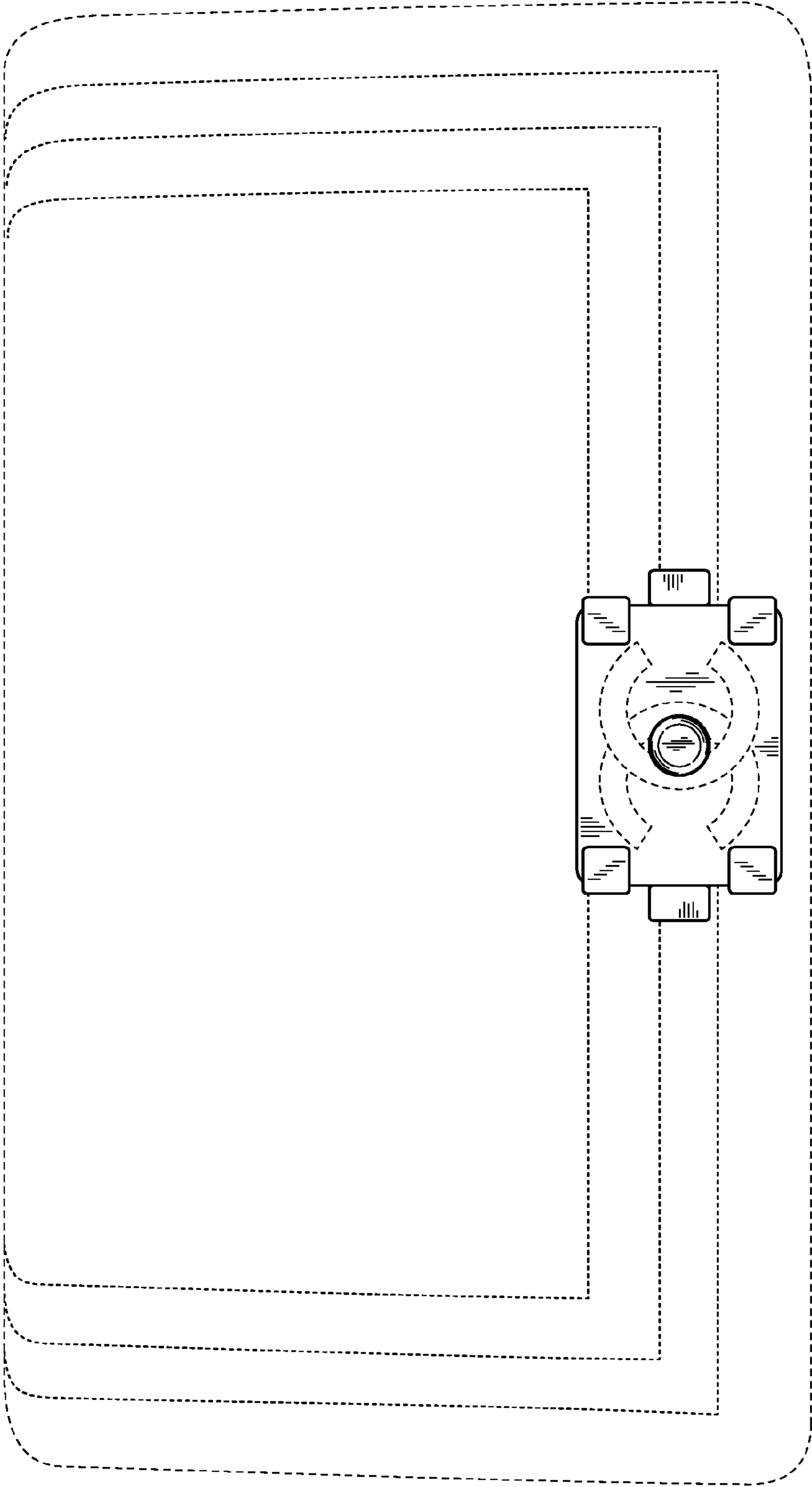


FIG. 6

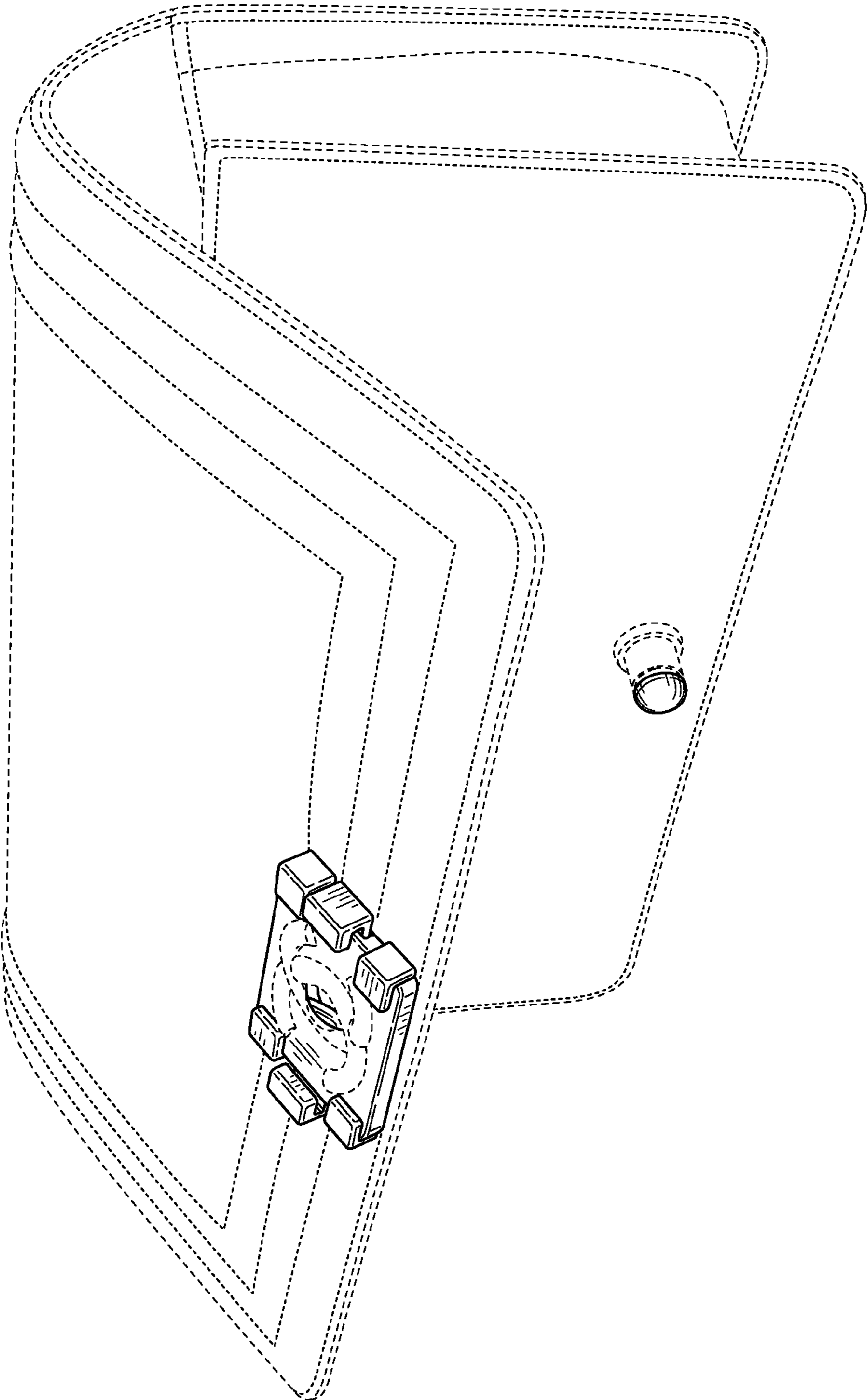


FIG. 7