

US00D696013S

(12) **United States Design Patent**
Maier

(10) **Patent No.:** **US D696,013 S**

(45) **Date of Patent:** **** Dec. 24, 2013**

(54) **HANDBAG**

(71) Applicant: **Bottega Veneta SA**, Cadempino (CH)

(72) Inventor: **Tomas Maier**, Delray Beach, FL (US)

(73) Assignee: **Bottega Veneta SA**, Cadempino (CH)

(**) Term: **14 Years**

(21) Appl. No.: **29/436,593**

(22) Filed: **Nov. 7, 2012**

(30) **Foreign Application Priority Data**

May 16, 2012 (WO) DM/078 398

(51) **LOC (9) Cl.** **03-01**

(52) **U.S. Cl.**
USPC **D3/232**

(58) **Field of Classification Search**
USPC D3/232-233, 240-243, 245-246;
150/100, 103-110, 113-114, 117-119

See application file for complete search history.

(56) **References Cited**

U.S. PATENT DOCUMENTS

D253,135 S * 10/1979 Fontana D3/214
D445,567 S * 7/2001 Imbert D3/246
D646,891 S * 10/2011 Della Valle et al. D3/243

* cited by examiner

Primary Examiner — Holly Baynham

(74) *Attorney, Agent, or Firm* — Lucas & Mercanti, LLP

(57) **CLAIM**

The handbag, as shown and described.

DESCRIPTION

FIG. 1 is a perspective view of the handbag;
FIG. 2 is a front view of the handbag;
FIG. 3 is a rear view of the handbag;
FIG. 4 is a side view of the handbag;
FIG. 5 is an opposite side of the handbag;
FIG. 6 is a bottom view of the handbag; and,
FIG. 7 is a top view of the handbag.
The broken lines showing stitching are part of the claimed design.

1 Claim, 5 Drawing Sheets





FIG. 1

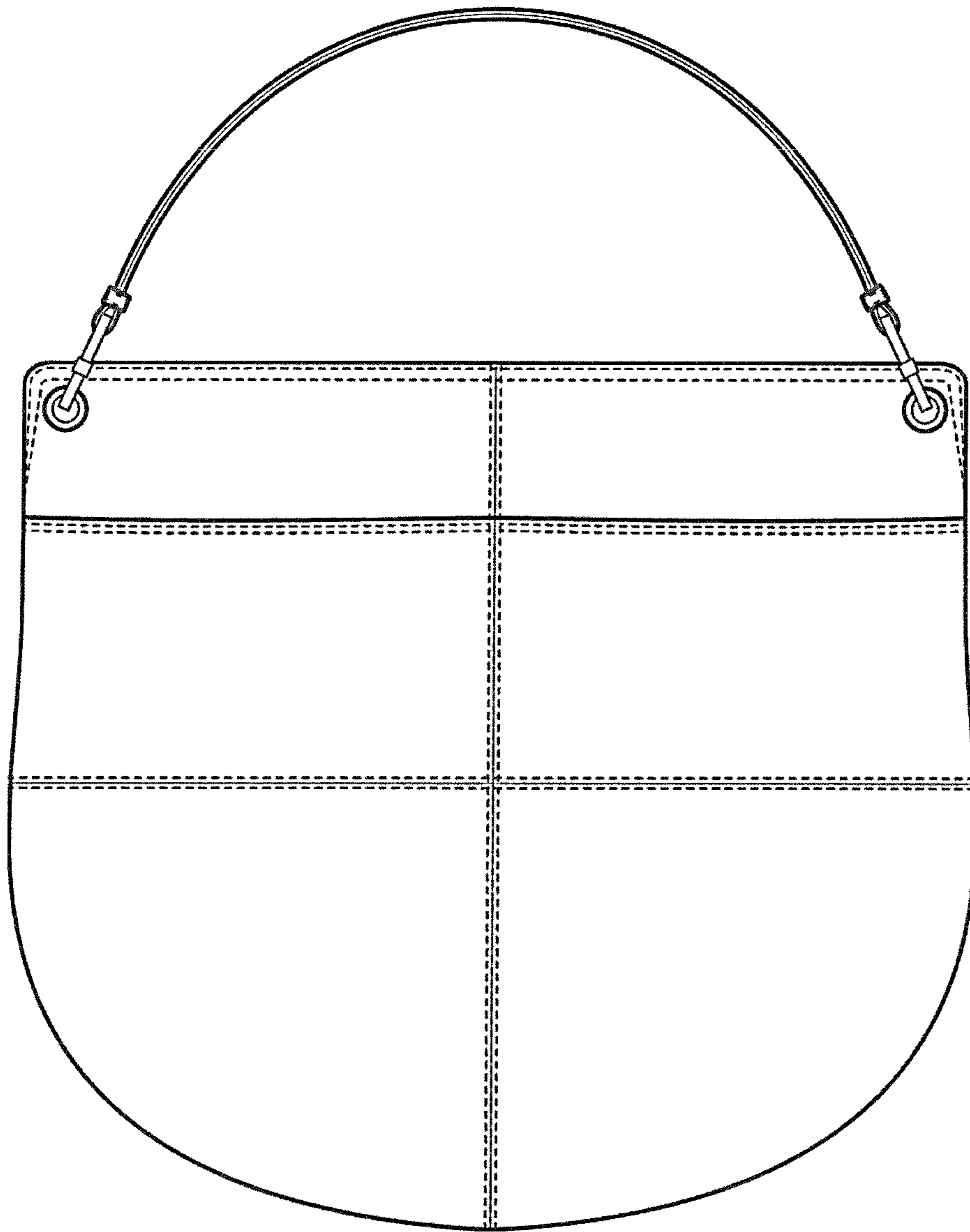


FIG. 2

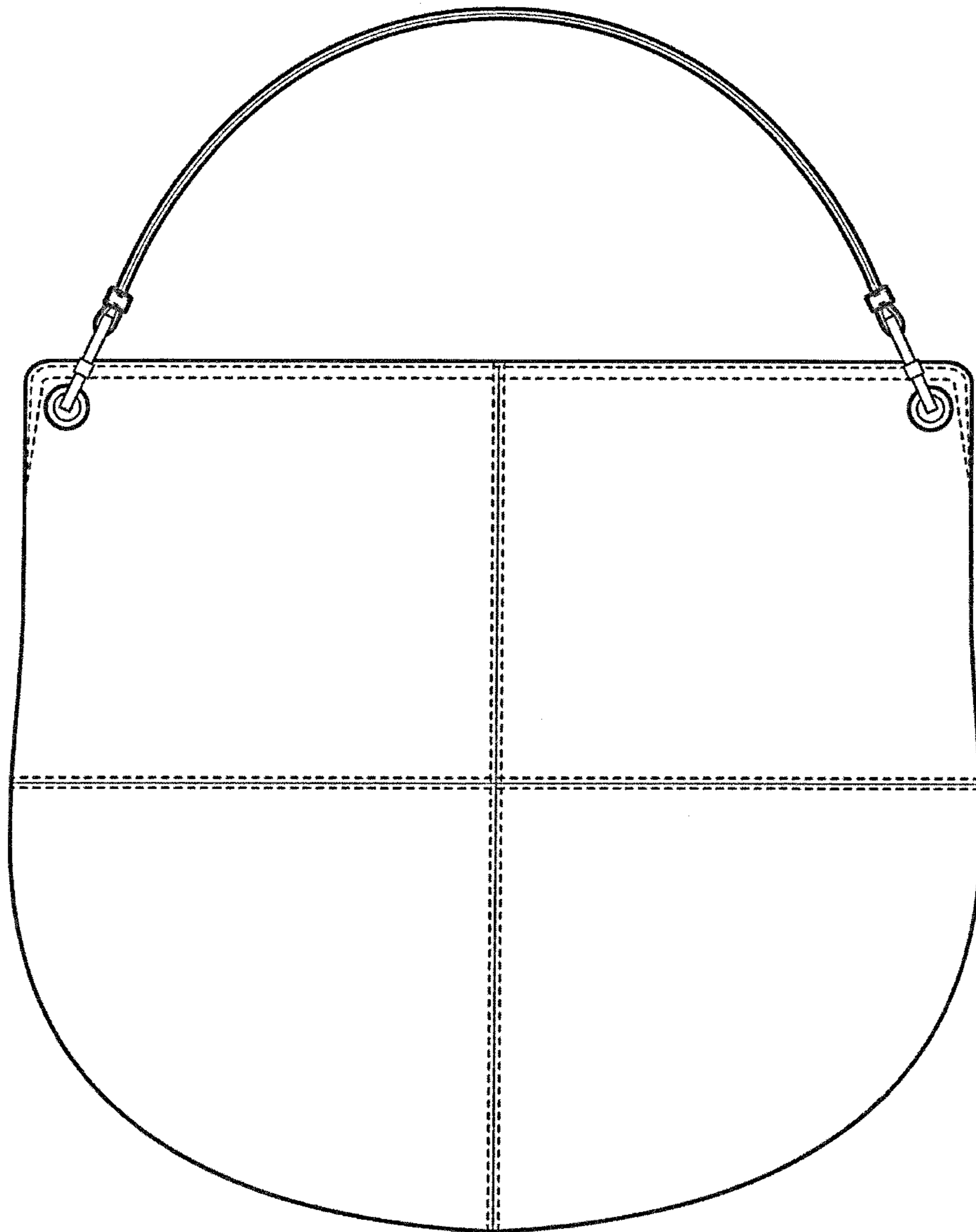


FIG. 3

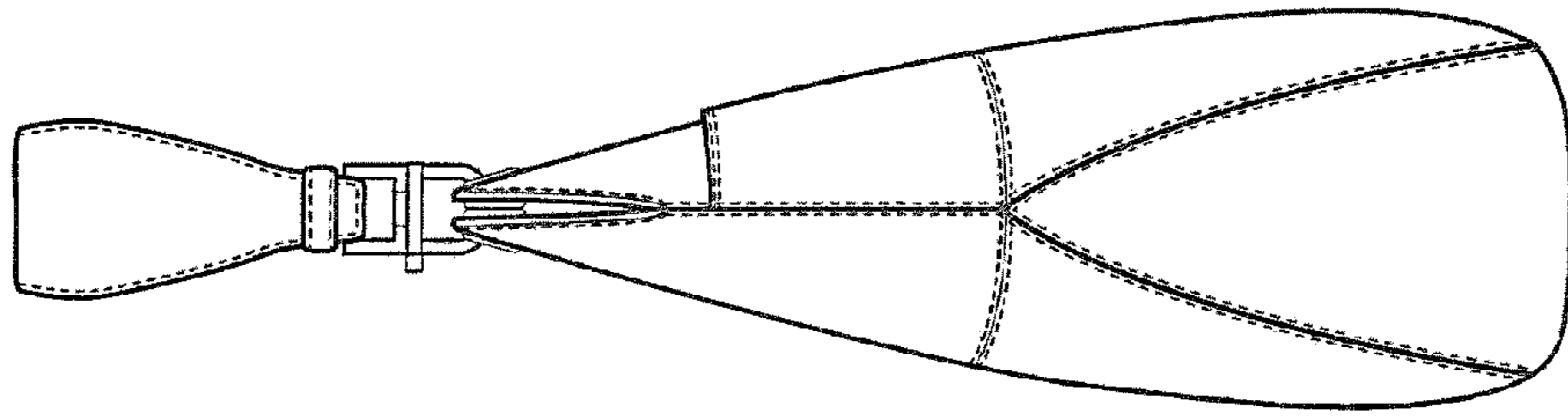


FIG. 5

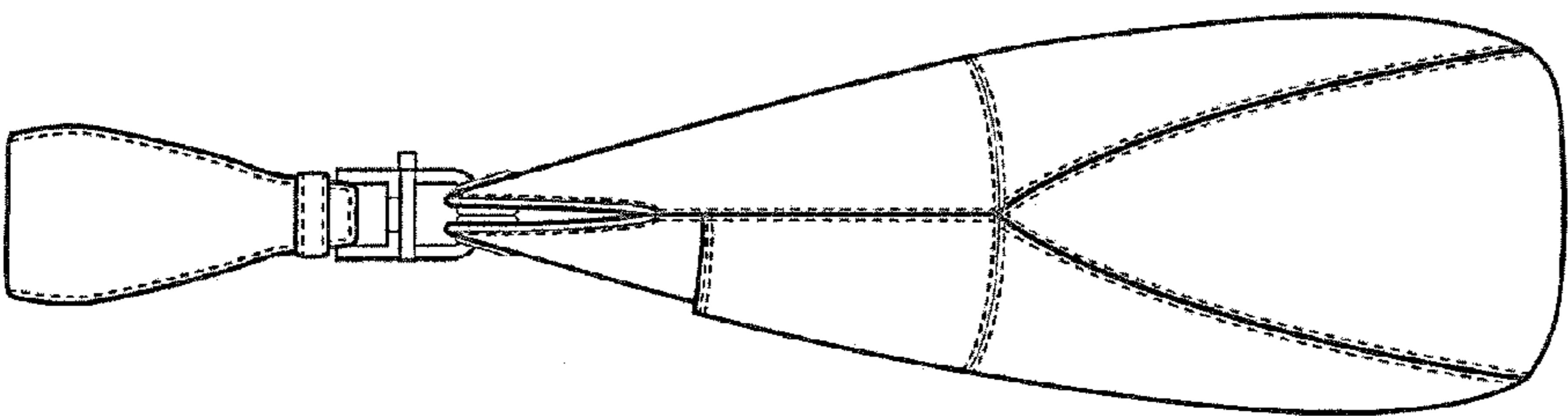


FIG. 4

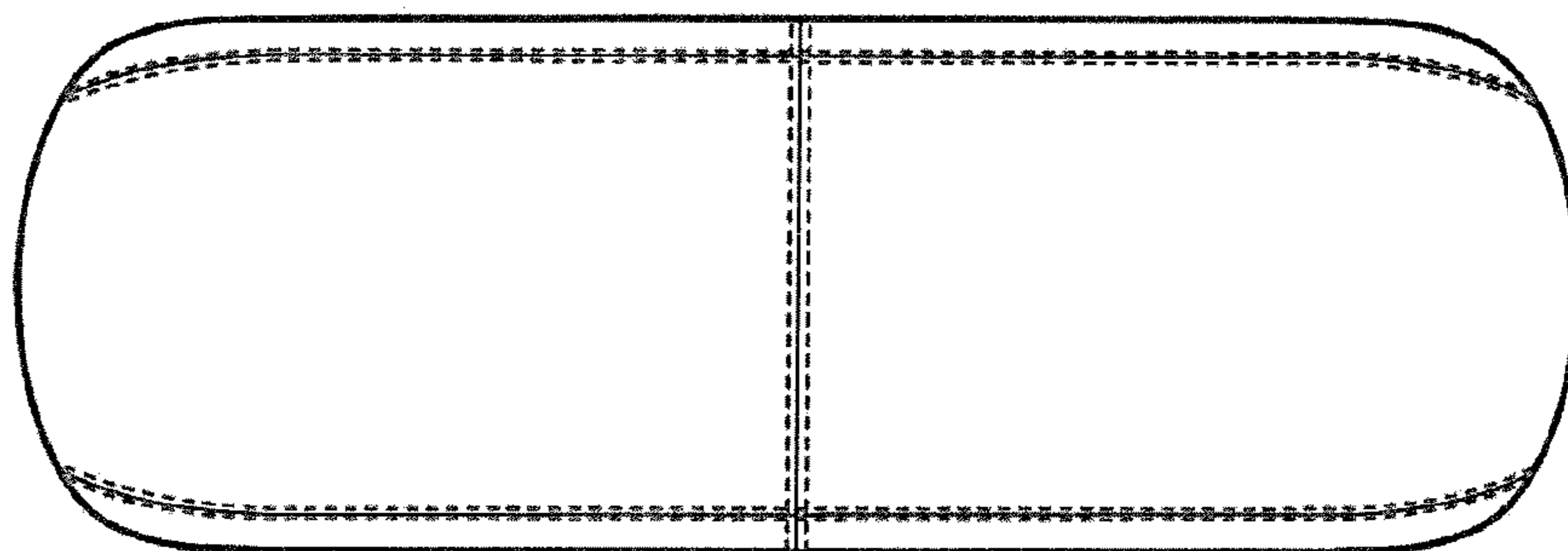


FIG. 6

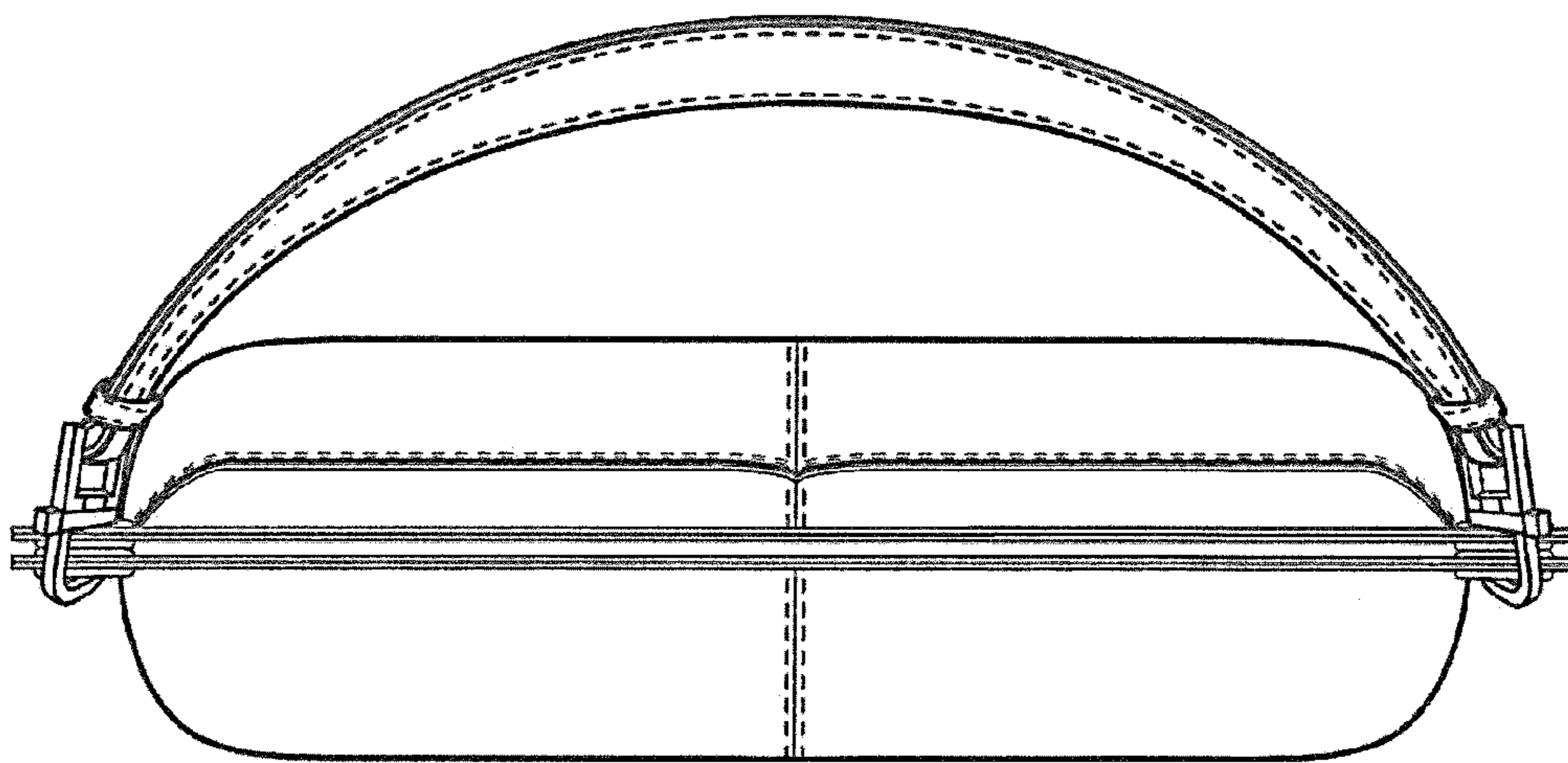


FIG. 7