



US00D696008S

(12) **United States Design Patent**
Priebe et al.

(10) **Patent No.:** **US D696,008 S**
(45) **Date of Patent:** **** Dec. 24, 2013**

(54) **MEDICINE CONTAINER**

(71) Applicant: **Apothecary Products, Inc.**, Burnsville, MN (US)

(72) Inventors: **Robert N. Priebe**, Bloomington, MN (US); **Terrance O. Noble**, Burnsville, MN (US)

(73) Assignee: **Apothecary Products, Inc.**, Burnsville, MN (US)

(**) Term: **14 Years**

(21) Appl. No.: **29/449,077**

(22) Filed: **Mar. 14, 2013**

(51) **LOC (9) Cl.** **03-01**

(52) **U.S. Cl.**
USPC **D3/203.3**

(58) **Field of Classification Search**
USPC D3/201-205, 294; 206/528-540;
D9/737, 749, 755, 759-760

See application file for complete search history.

(56) **References Cited**

U.S. PATENT DOCUMENTS

D330,670 S 11/1992 Georgakis et al.
D342,892 S 1/1994 Teerds

(Continued)

Primary Examiner — Catheri Oliver-Garcia

(74) *Attorney, Agent, or Firm* — Merchant & Gould P.C.

(57) **CLAIM**

The ornamental design for a medicine container, as shown and described.

DESCRIPTION

FIG. 1 is a top perspective view of a first medicine container showing our design.

FIG. 2 is a front elevational view of the medicine container of FIG. 1.

FIG. 3 is a rear view opposite the view of FIG. 2

FIG. 4 is an end elevational view of the right end of FIG. 2

FIG. 5 is an end elevational view of the left end of FIG. 2.

FIG. 6 is a top plan view of the container of FIG. 1.

FIG. 7 is a bottom plan view of the container of FIG. 1.

FIG. 8 is a top perspective view of a second medicine container showing our design.

FIG. 9 is a front elevational view of the medicine container of FIG. 8.

FIG. 10 is a rear view opposite the view of FIG. 9.

FIG. 11 is an end elevational view of the right end of FIG. 8.

FIG. 12 is an end elevational view of the left end of FIG. 9.

FIG. 13 is a top plan view of the container of FIG. 8.

FIG. 14 is a bottom plan view of the container of FIG. 8.

FIG. 15 is a top perspective view of a third medicine container showing our design.

FIG. 16 is a front elevational view of the medicine container of FIG. 15.

FIG. 17 is a rear view opposite the view of FIG. 16.

FIG. 18 is an end elevational view of the right end of FIG. 17.

FIG. 19 is an end elevational view of the left end of FIG. 17.

FIG. 20 is a top plan view of the container of FIG. 15.

FIG. 21 is a bottom plan view of the container of FIG. 15.

FIG. 22 is a top perspective view of a fourth medicine container showing our design.

FIG. 23 is a front elevational view of the medicine container of FIG. 22.

FIG. 24 is a rear view opposite the view of FIG. 23.

FIG. 25 is an end elevational view of the right end of FIG. 23.

FIG. 26 is an end elevational view of the left end of FIG. 23.

FIG. 27 is a top plan view of the container of FIG. 22.

FIG. 28 is a bottom plan view of the container of FIG. 22.

FIG. 29 is a top perspective view of a fifth medicine container showing our design.

FIG. 30 is a front elevational view of the medicine container of FIG. 29.

FIG. 31 is a rear view opposite the view of FIG. 30.

FIG. 32 is an end elevational view of the right end of FIG. 29.

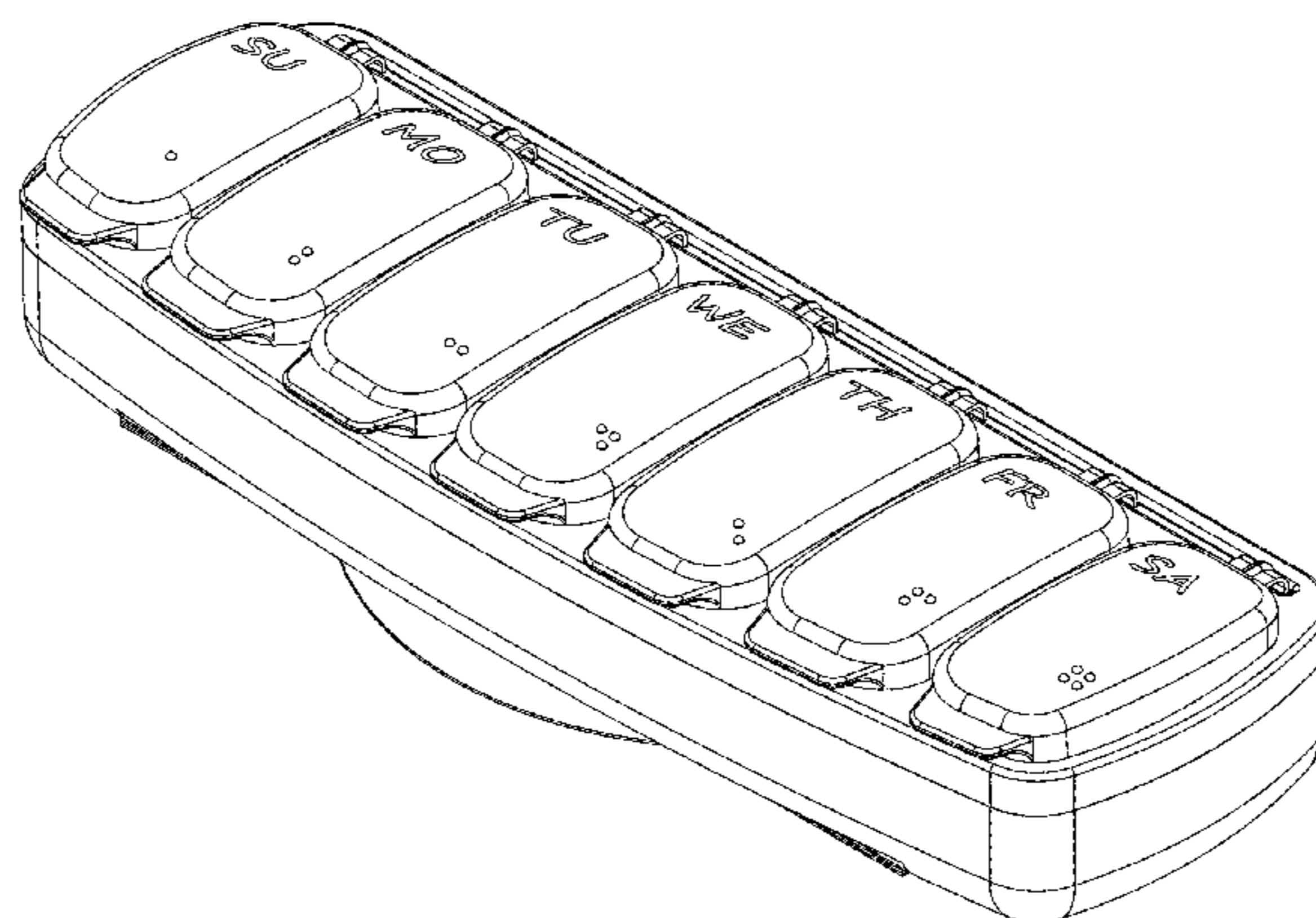
FIG. 33 is an end elevational view of the left end of FIG. 30.

FIG. 34 is a top plan view of the container of FIG. 29; and,

FIG. 35 is a bottom plan view of the container of FIG. 29.

The phantom line showing parts of the drawings is included for purposes of illustrating use, environment, and/or optional features, and forms no part of the claimed design.

1 Claim, 25 Drawing Sheets



(56)

References Cited

U.S. PATENT DOCUMENTS

D349,850 S 8/1994 Lemman
D466,801 S 12/2002 Holland
D528,782 S 9/2006 Oas
7,387,207 B2* 6/2008 Priebe et al. 206/532

D587,005 S * 2/2009 Gardner D3/203.3
7,494,012 B1 * 2/2009 Priebe et al. 206/538
D627,151 S * 11/2010 Young et al. D3/203.3
8,381,911 B2 2/2013 Buchner et al.
D684,355 S * 6/2013 Priebe D3/203.3
8,459,459 B2 * 6/2013 Noble et al. 206/538

* cited by examiner

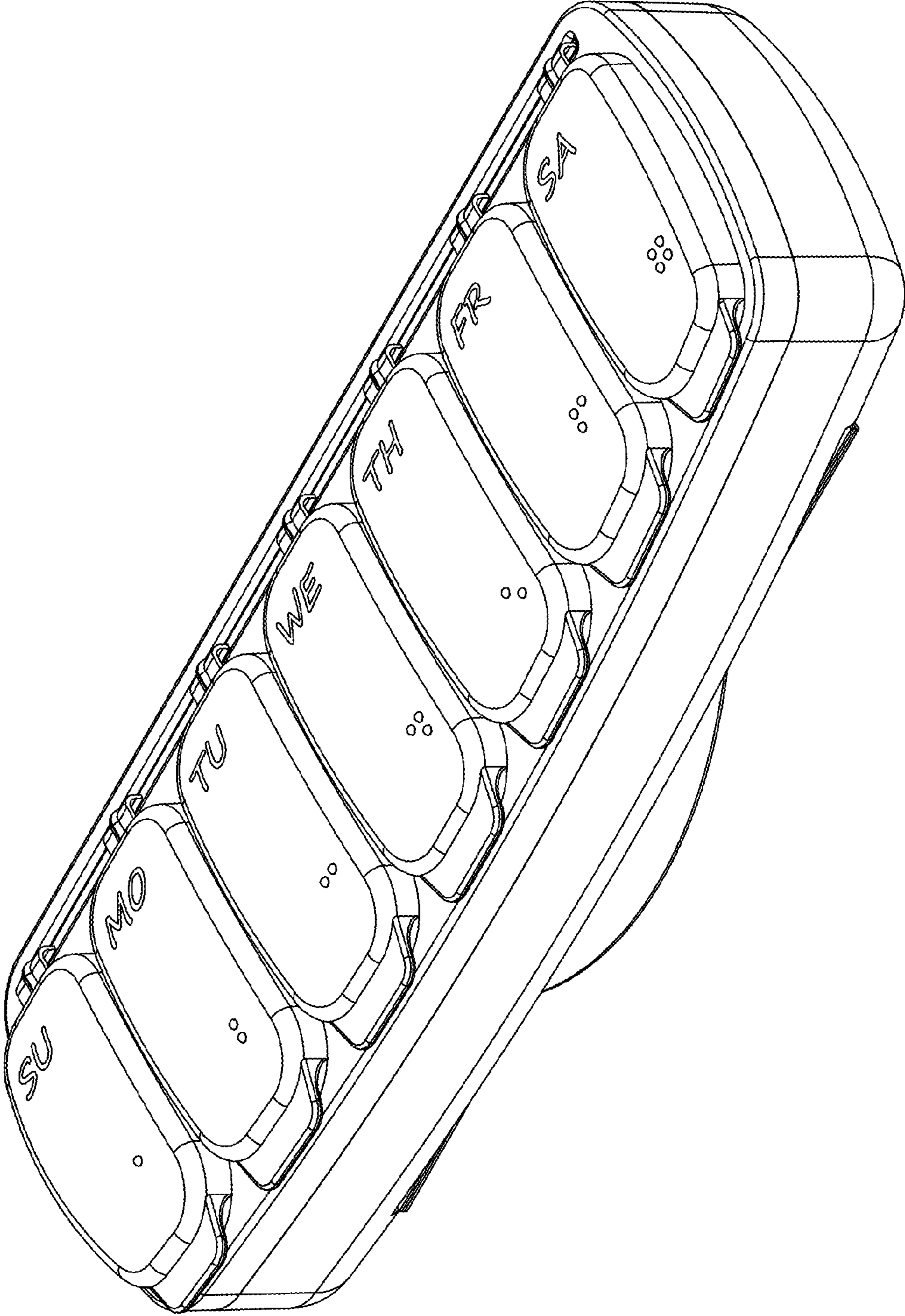


FIG. 1

FIG. 2

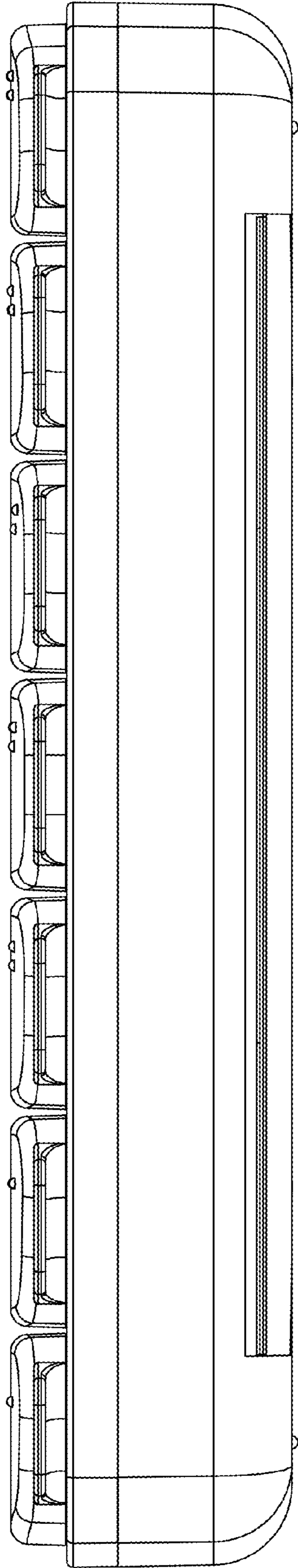


FIG. 3

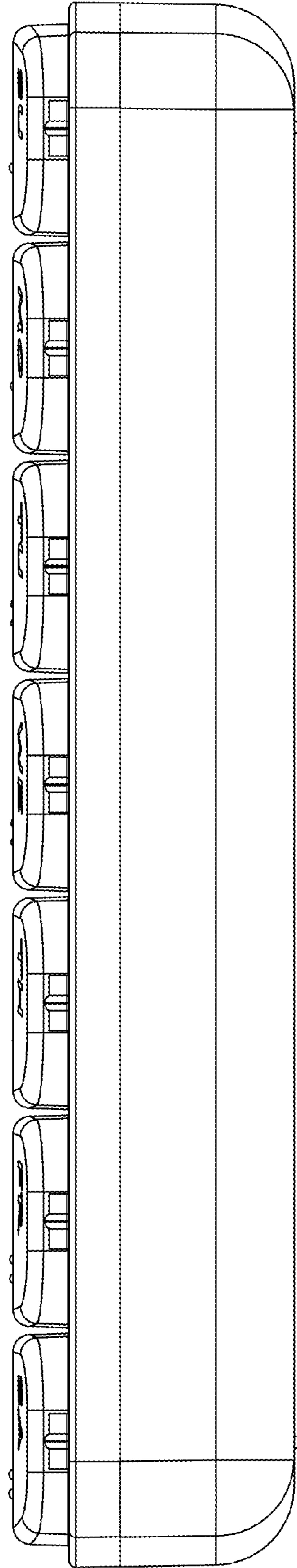


FIG. 4

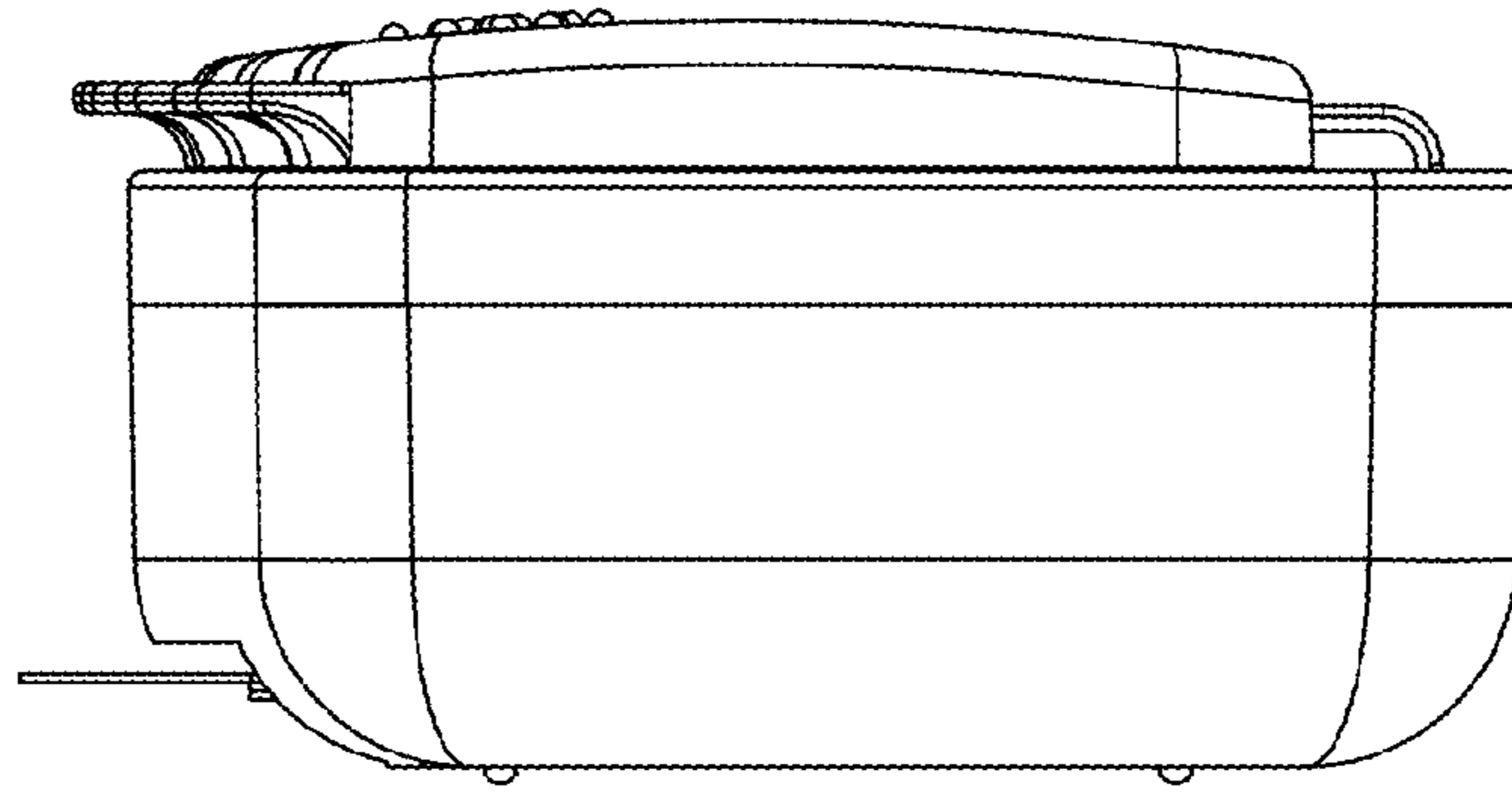


FIG. 5

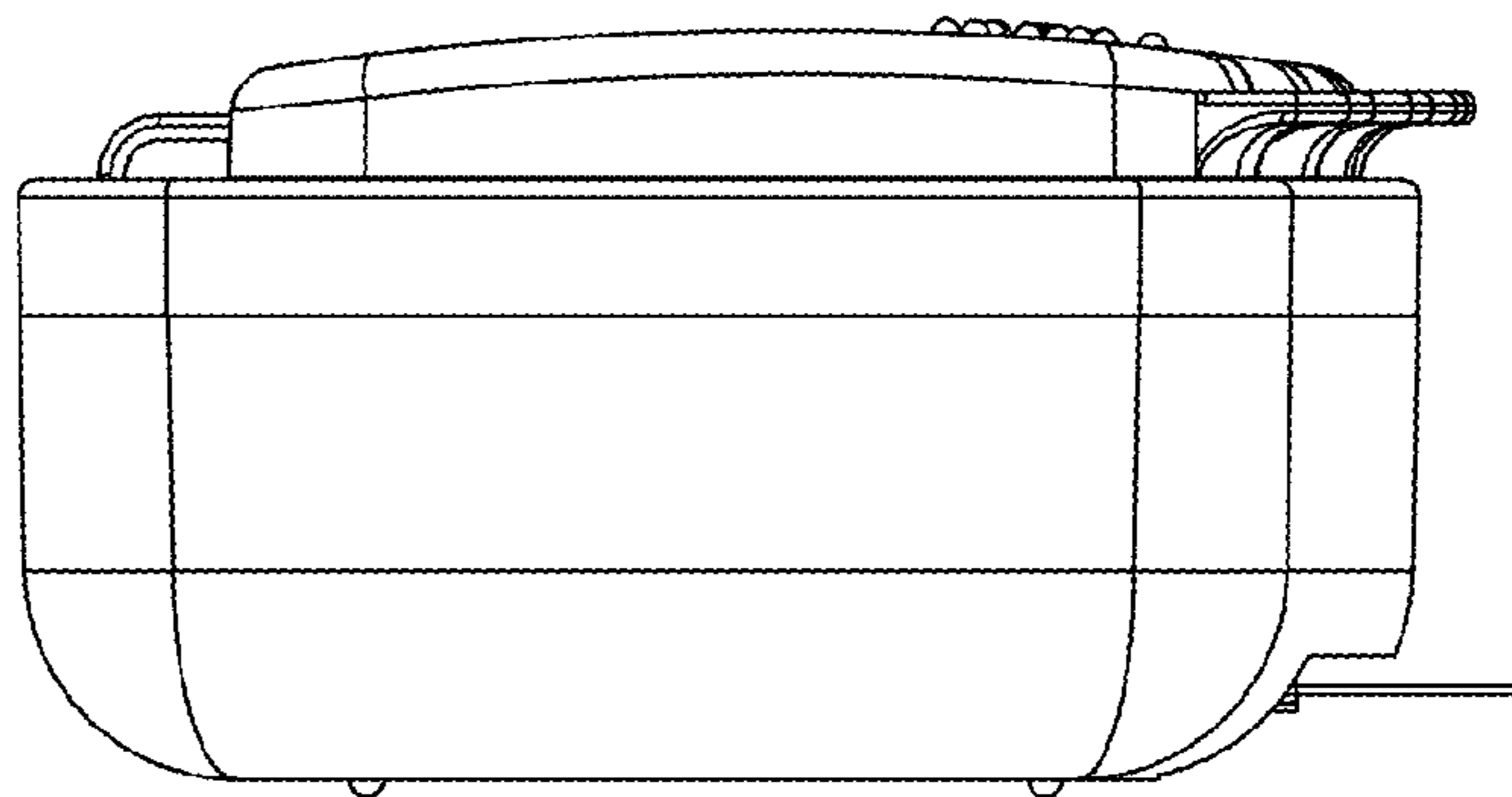


FIG. 6

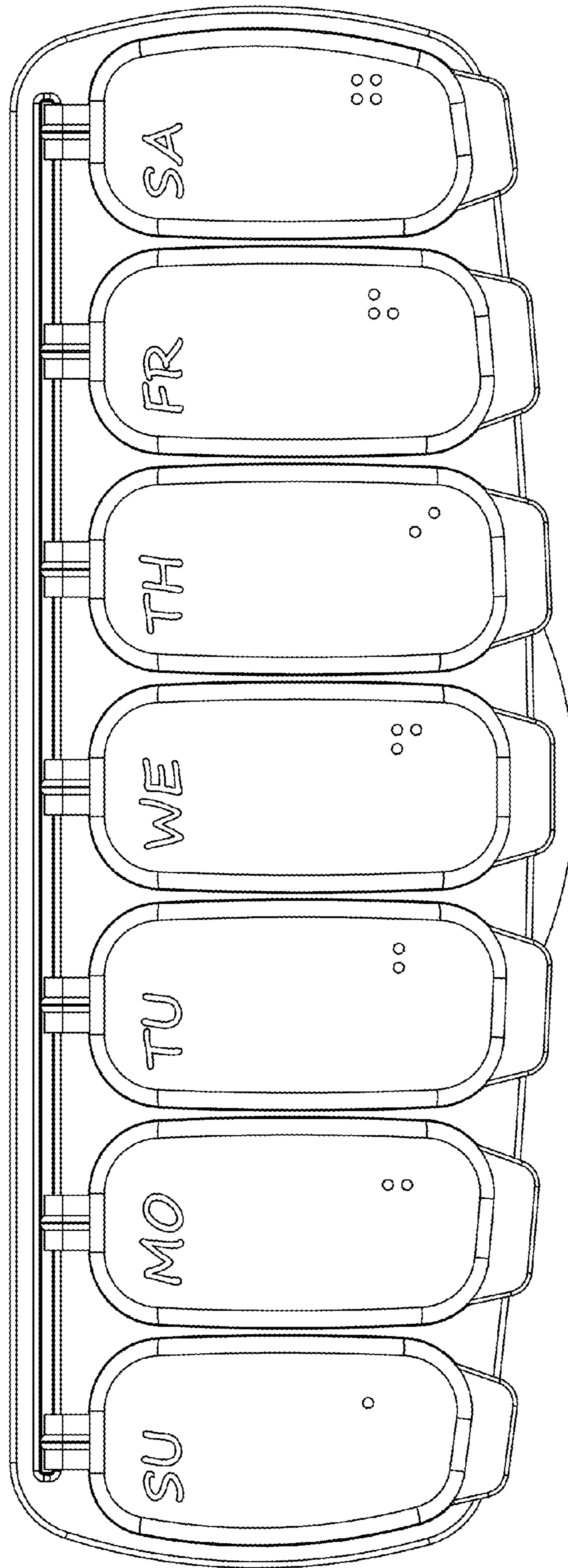
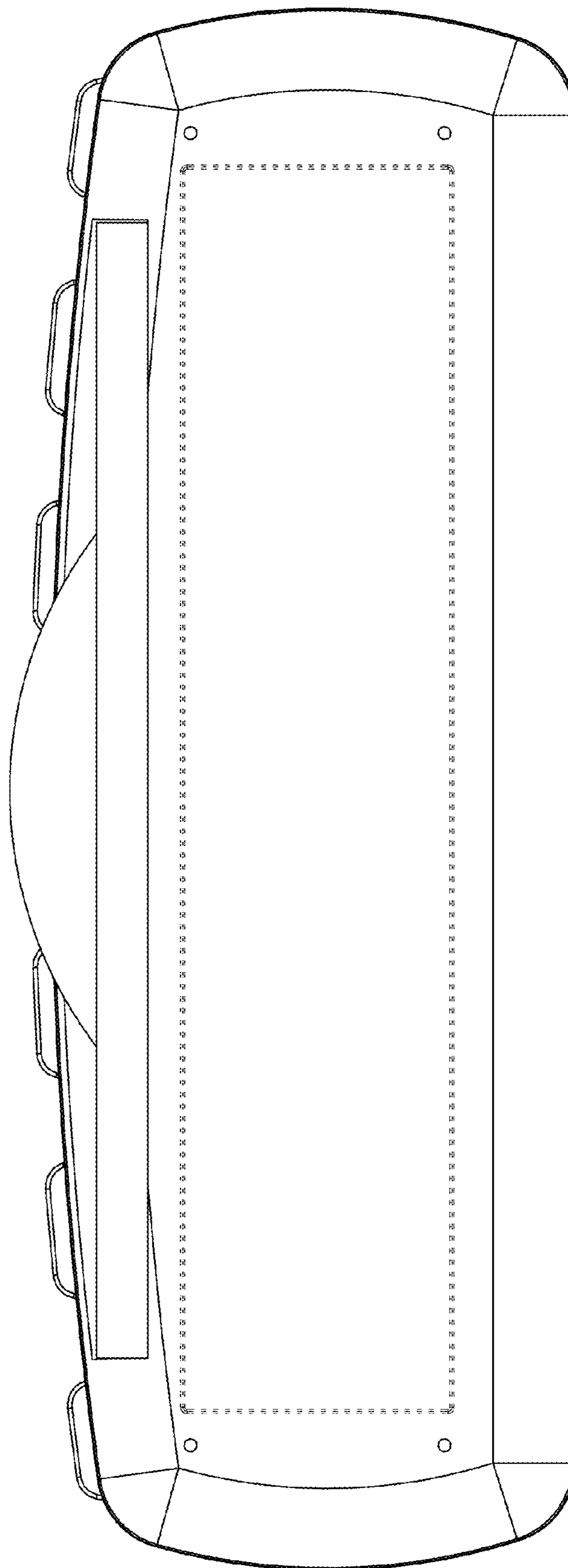


FIG. 7



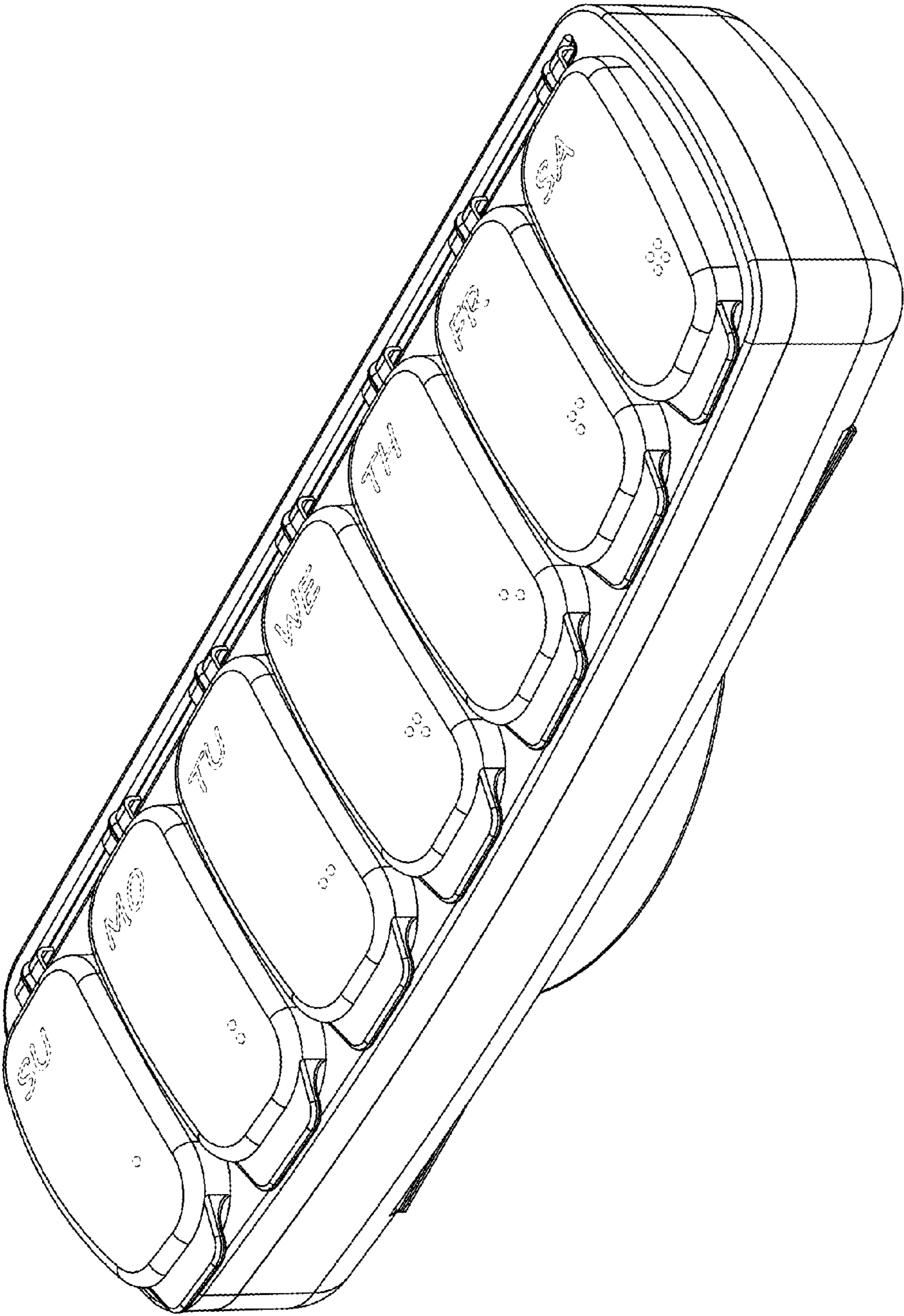


FIG. 8

FIG. 9

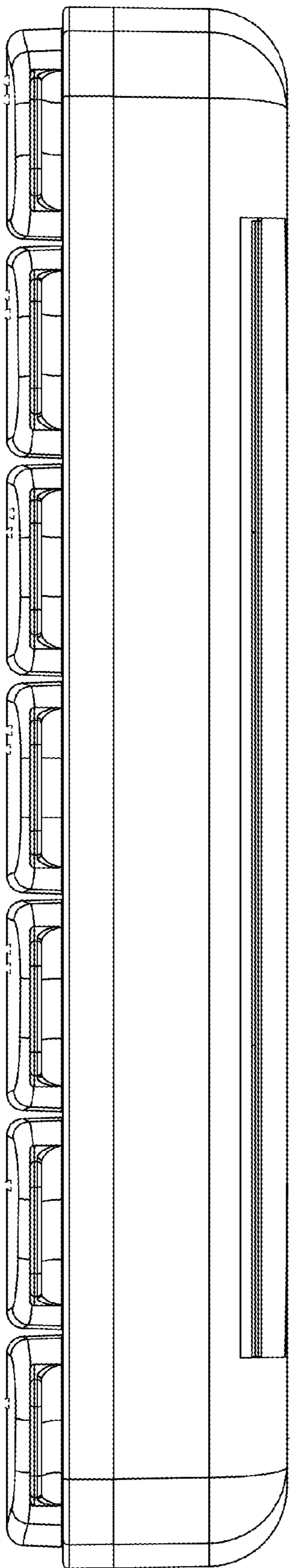


FIG. 10

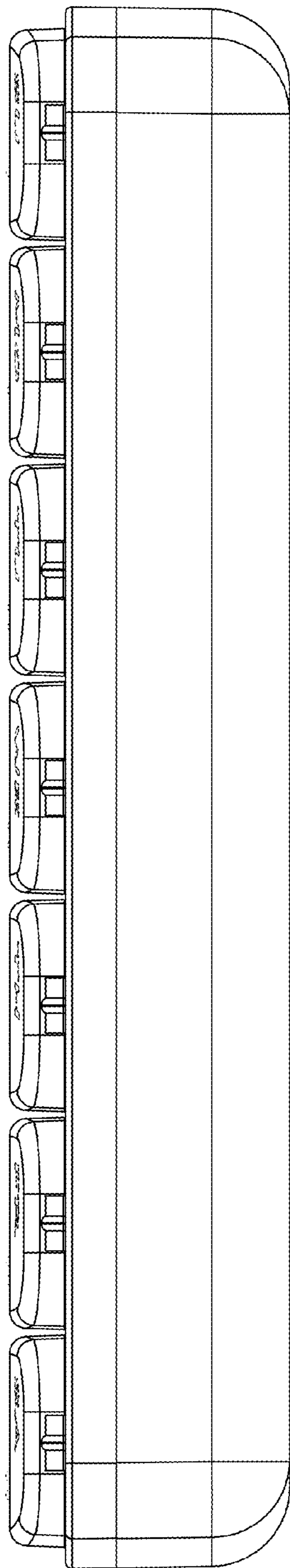


FIG. 11

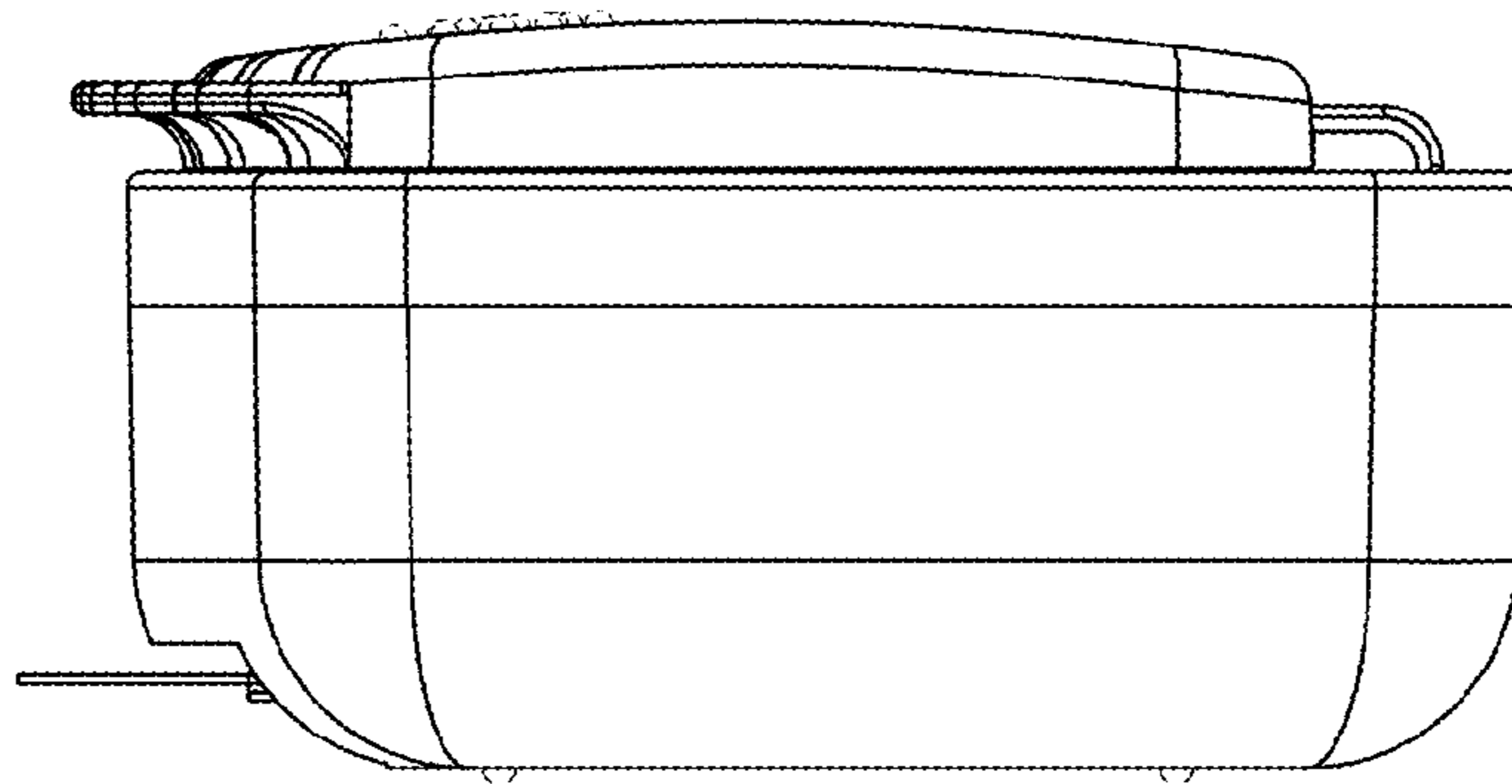


FIG. 12

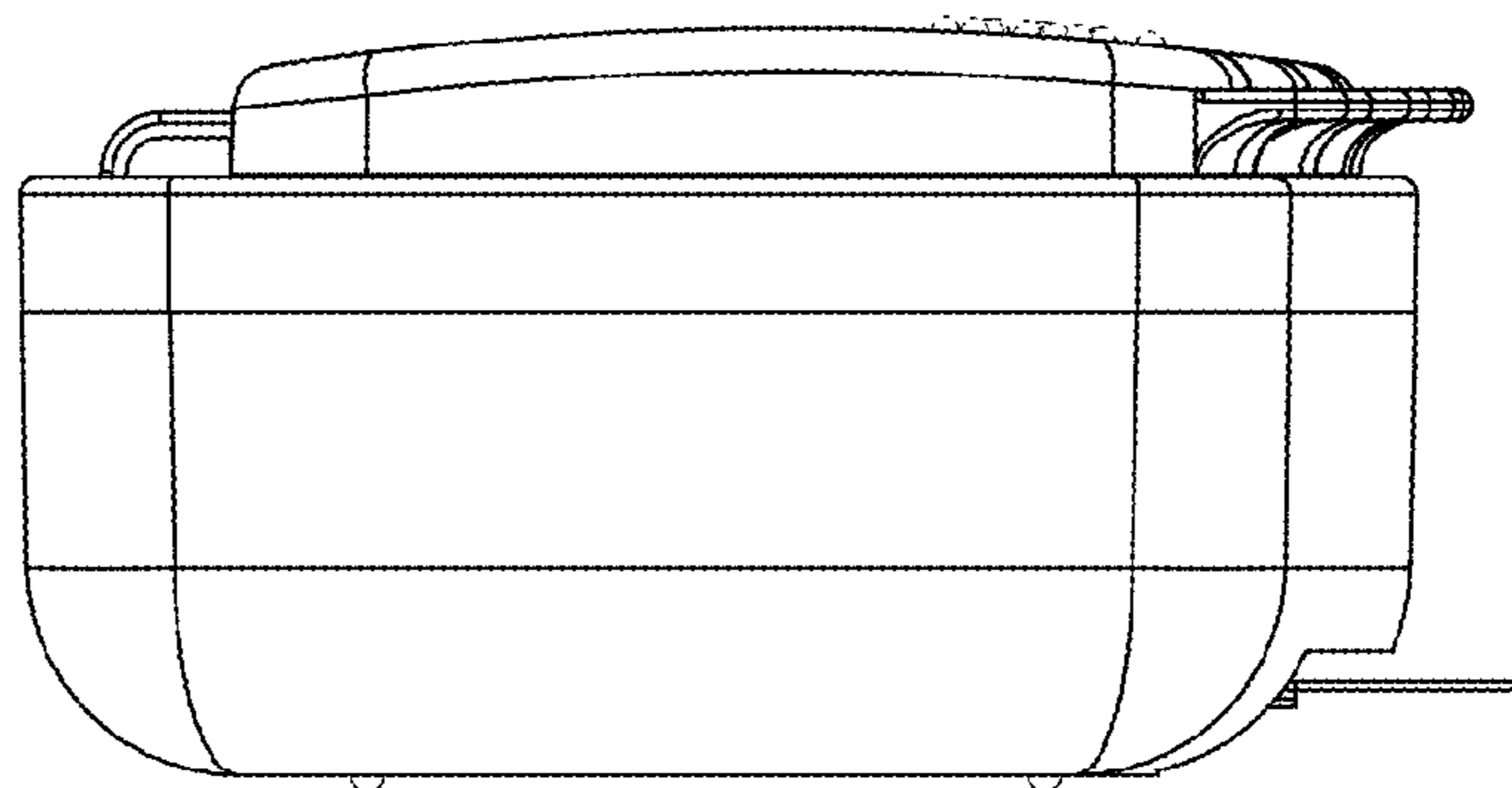


FIG. 13

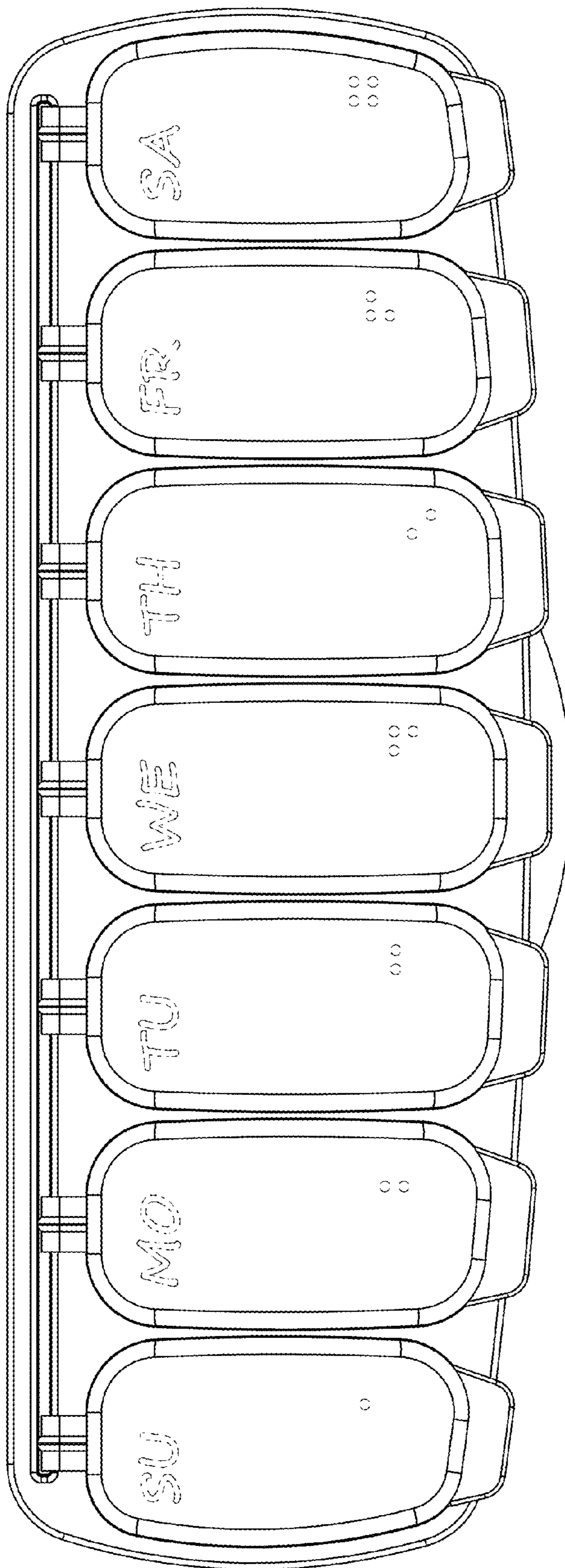
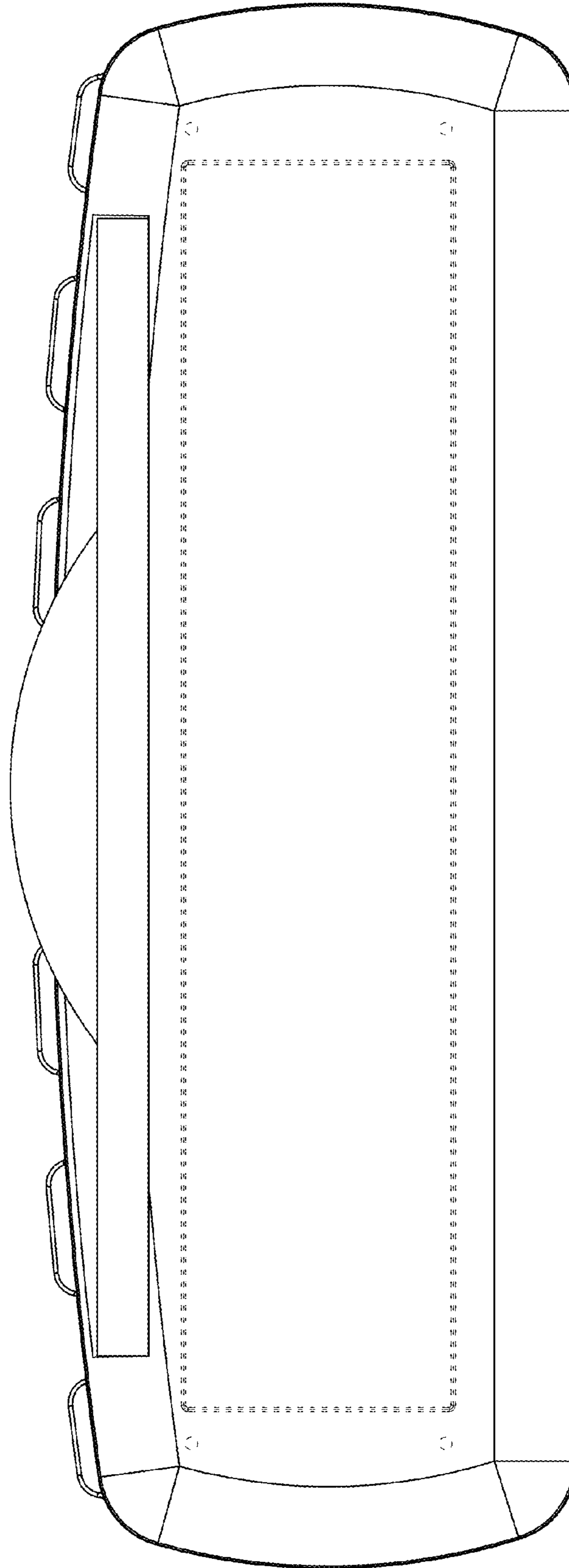


FIG. 14



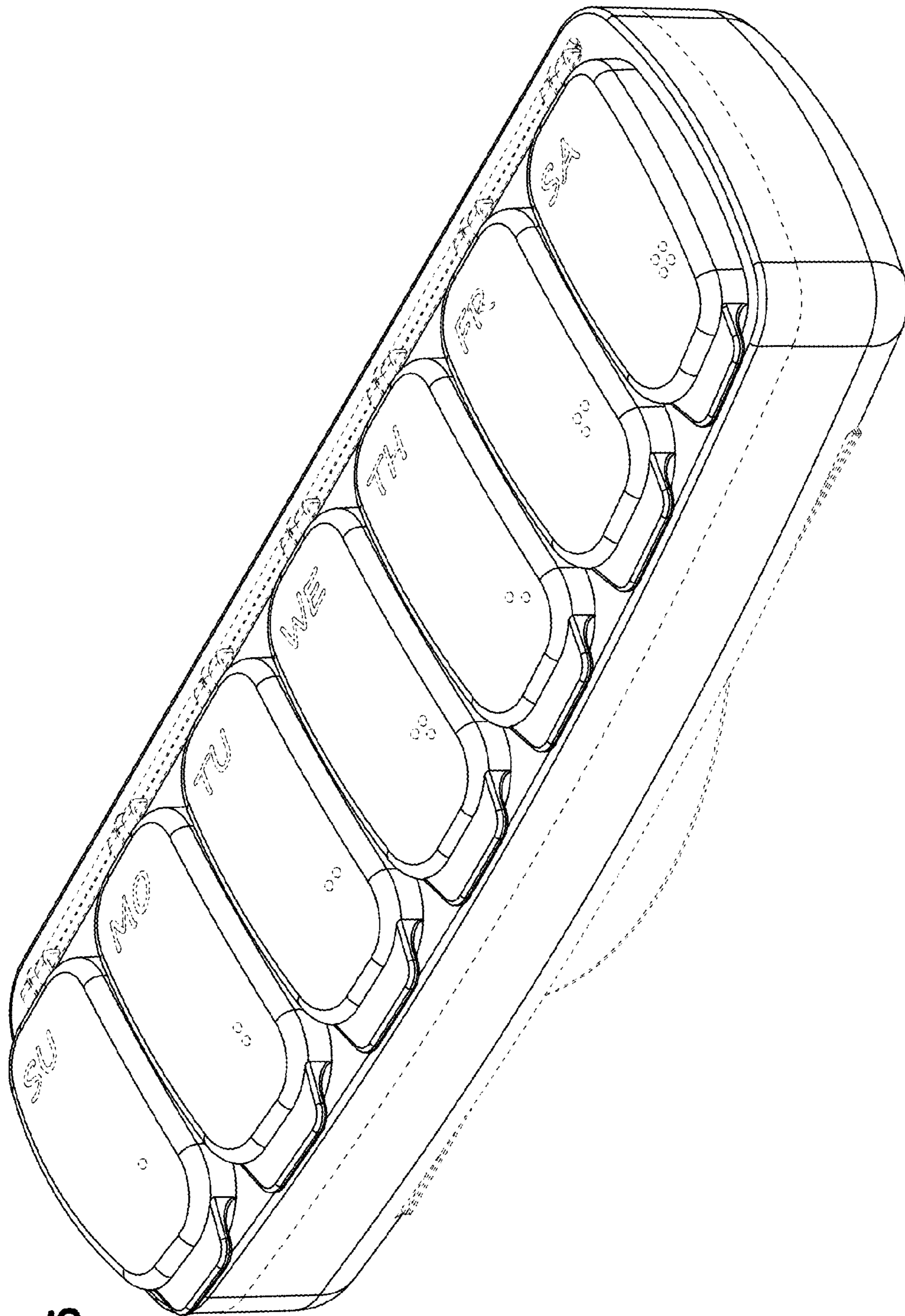


FIG. 15

FIG. 16

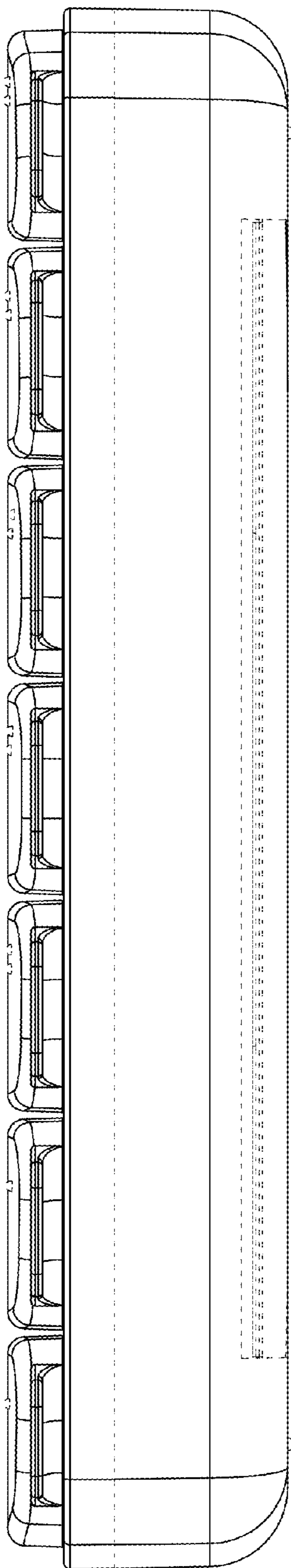


FIG. 17

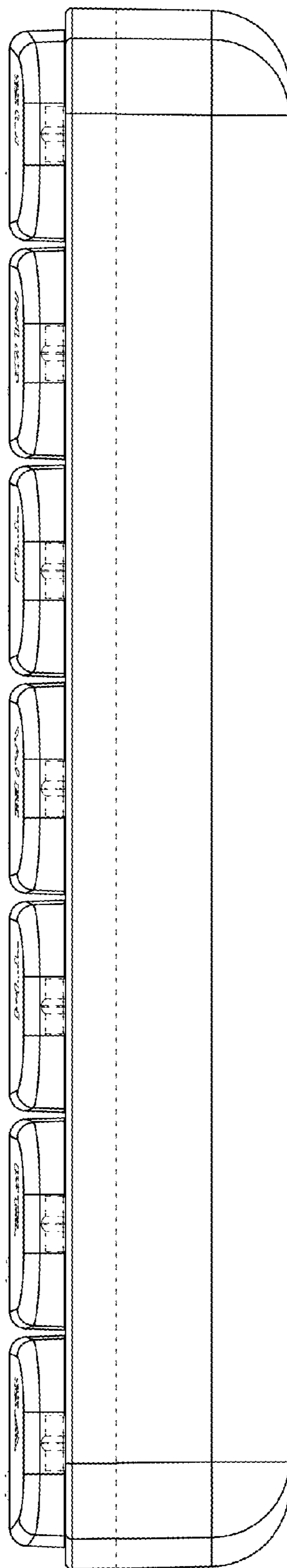


FIG. 18

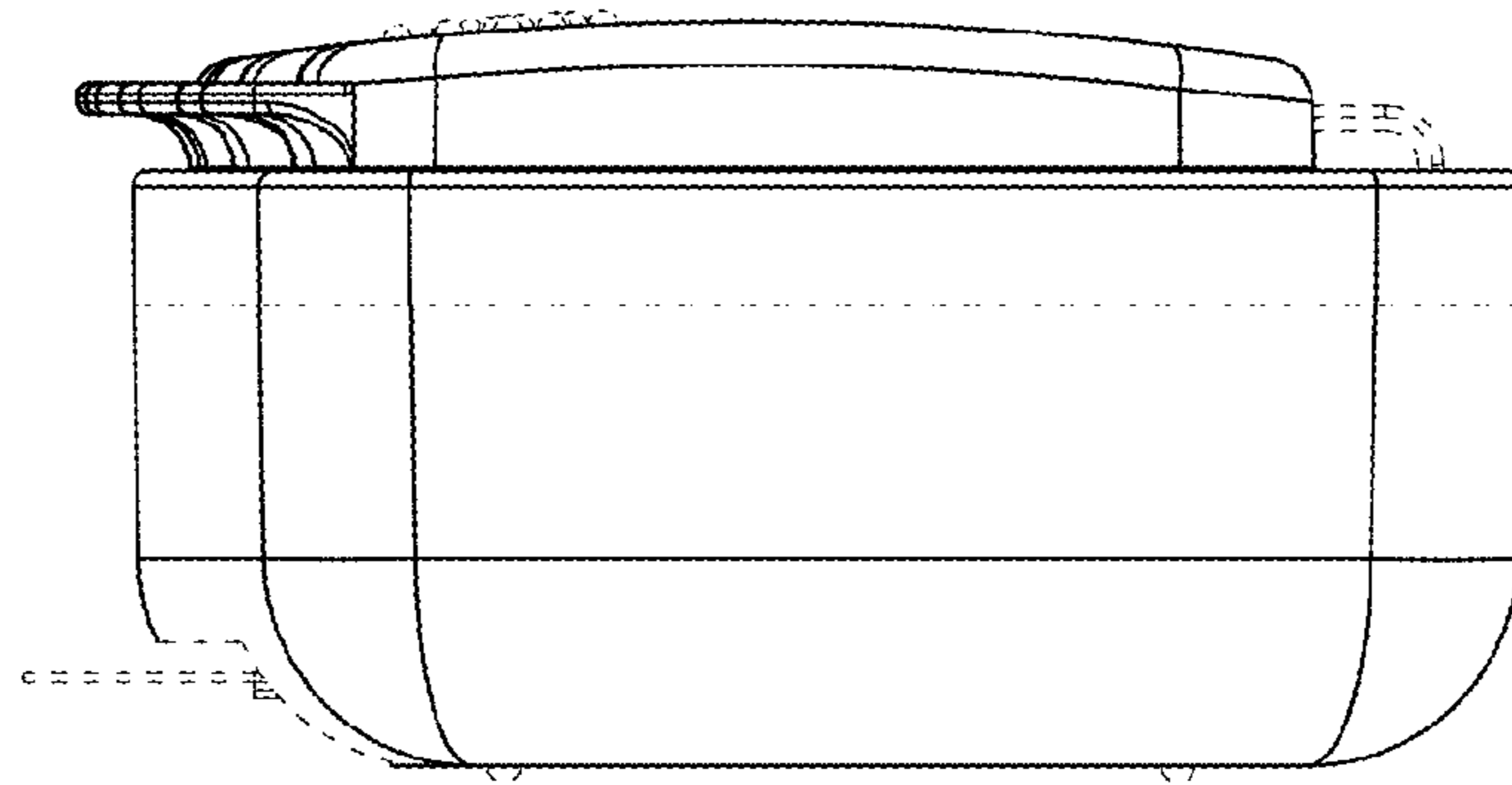


FIG. 19

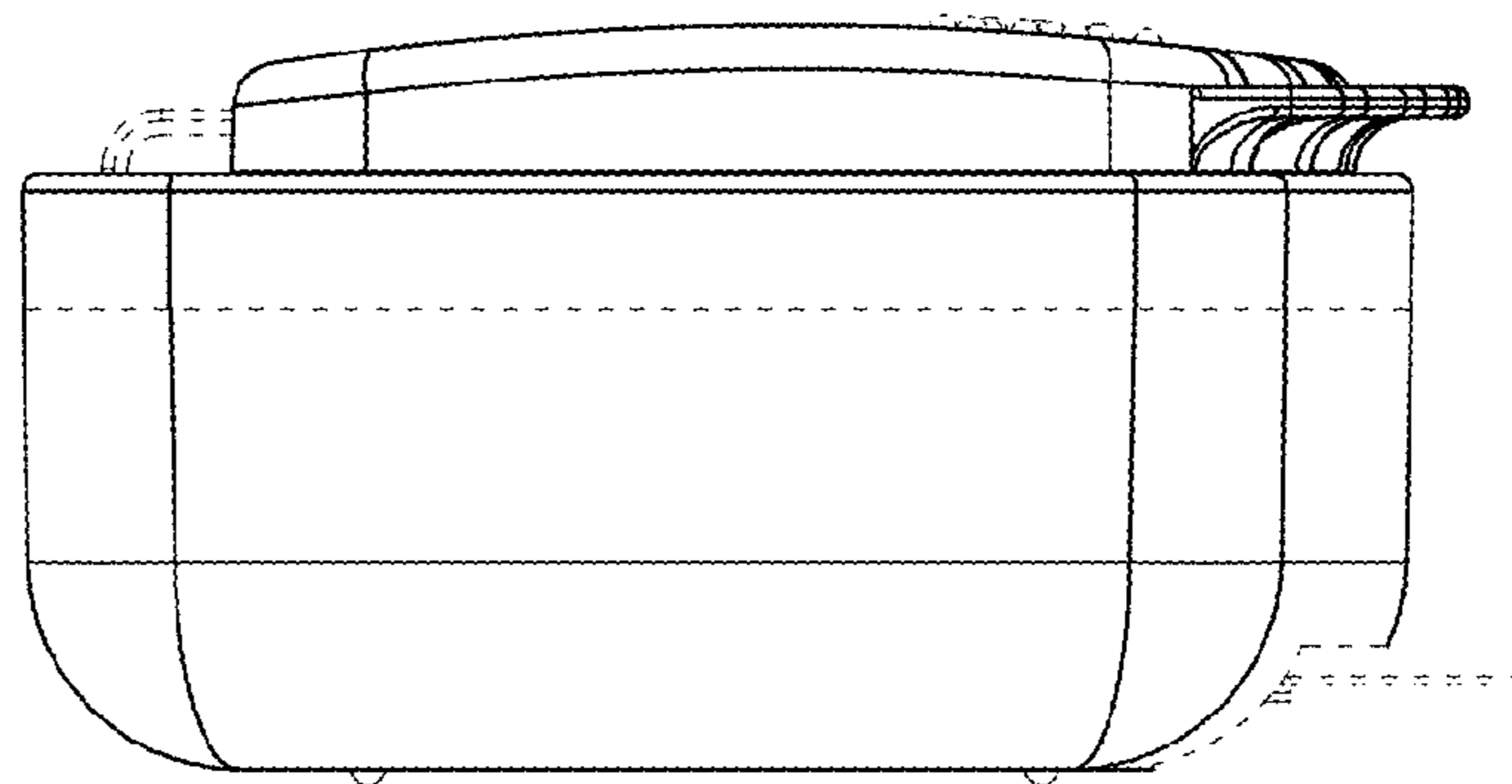


FIG. 20

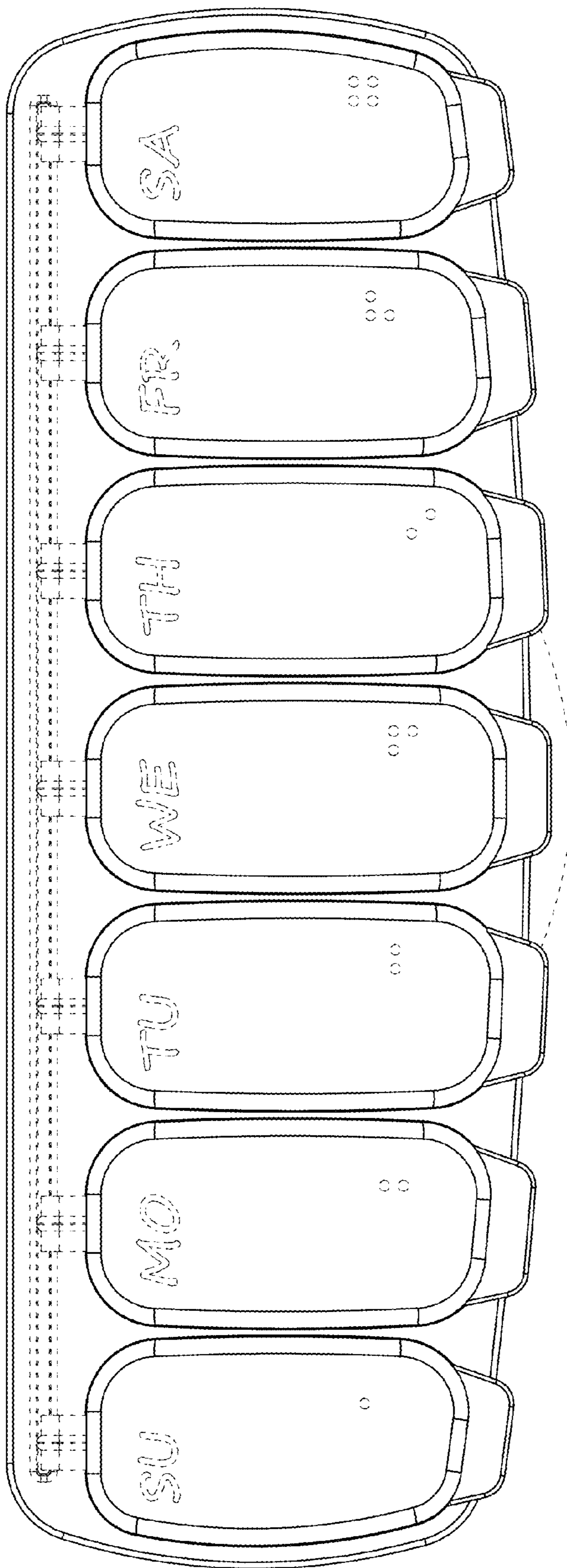


FIG. 21

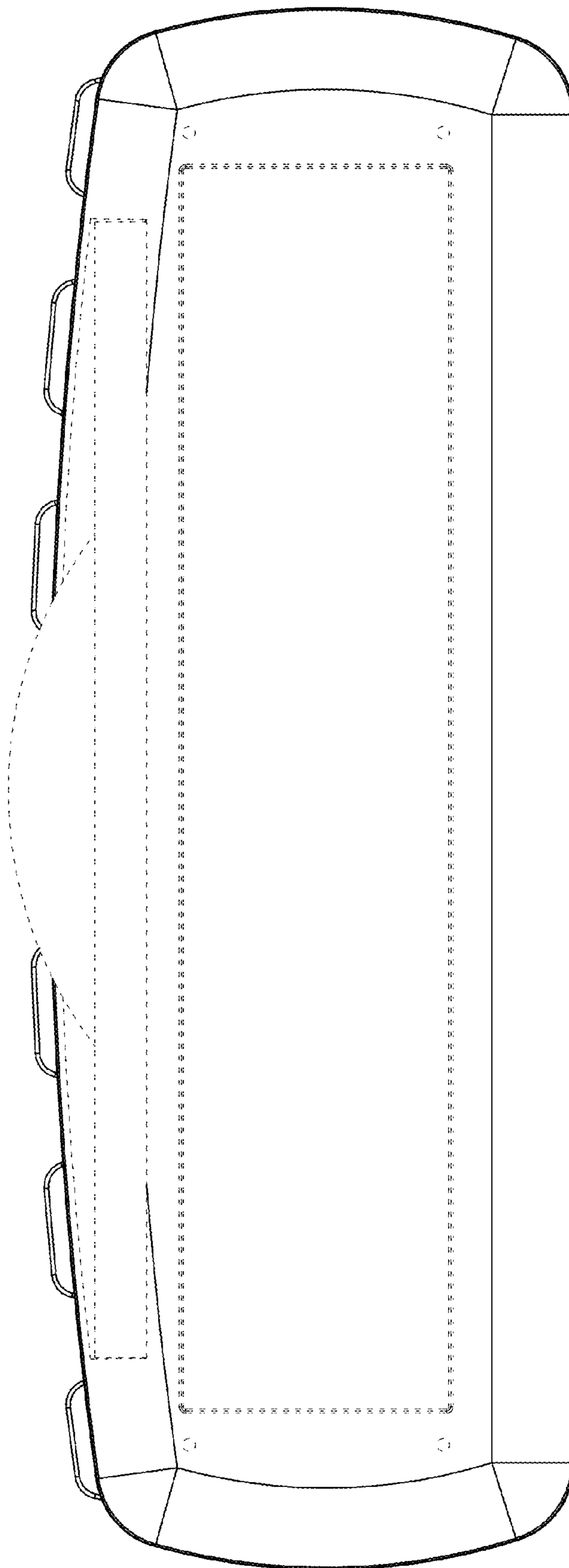


FIG. 23

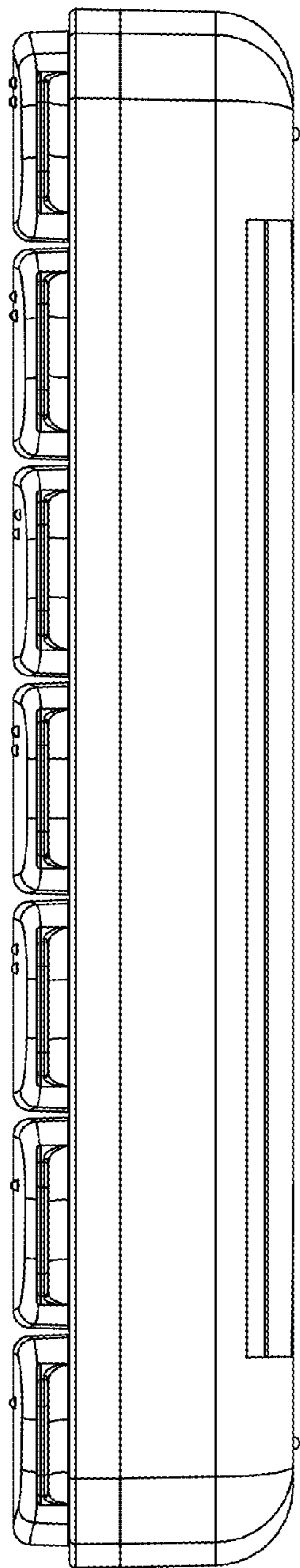
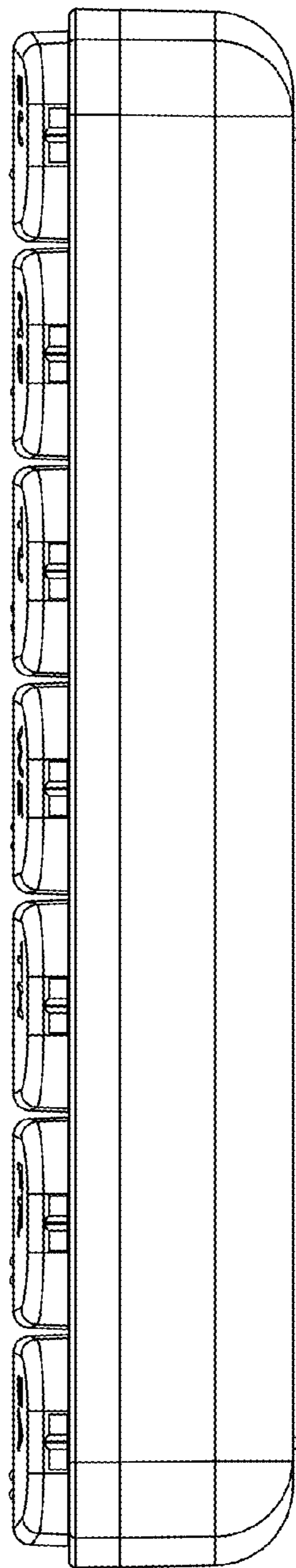


FIG. 24



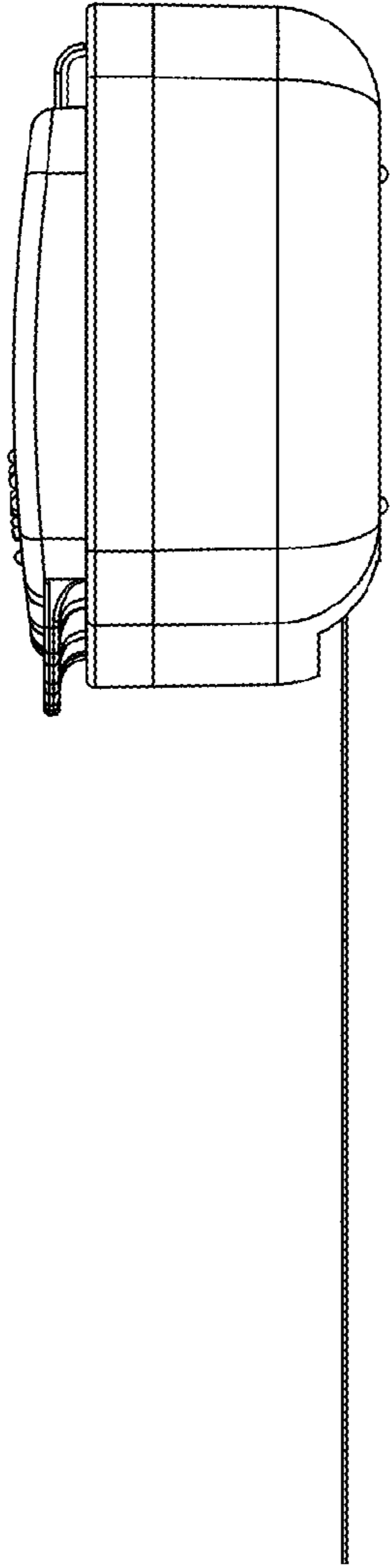


FIG. 25

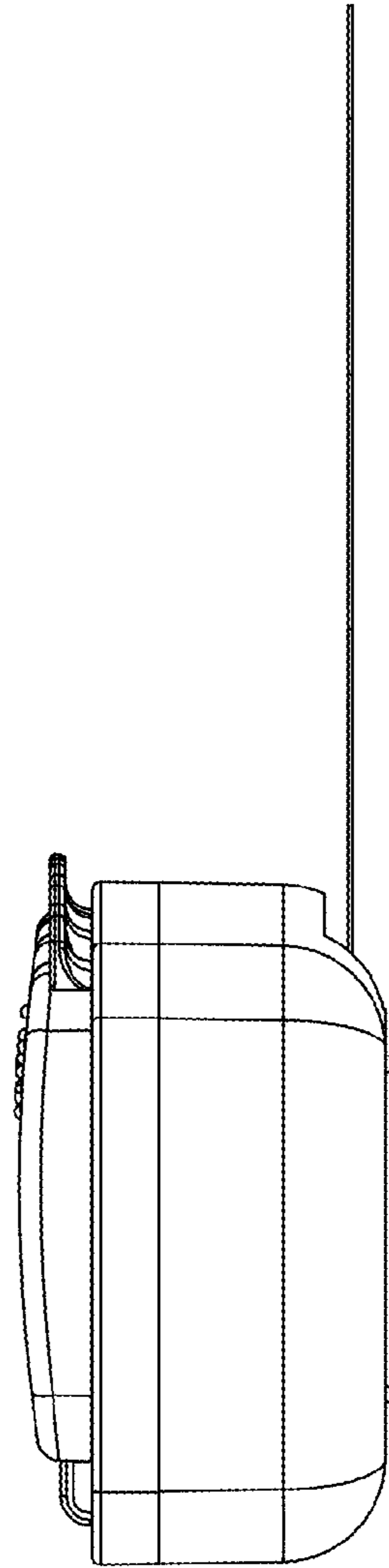


FIG. 26

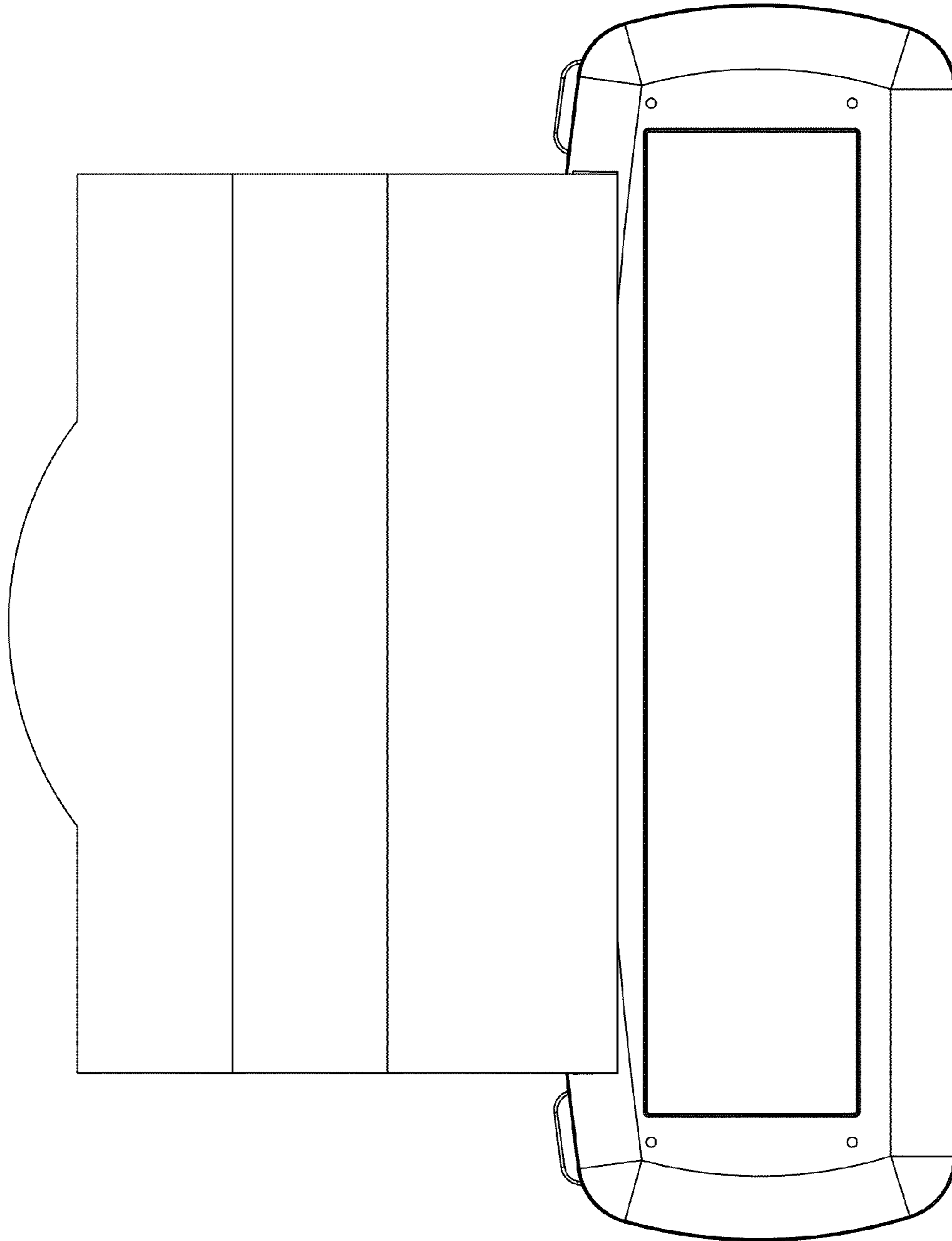


FIG. 28

FIG. 30

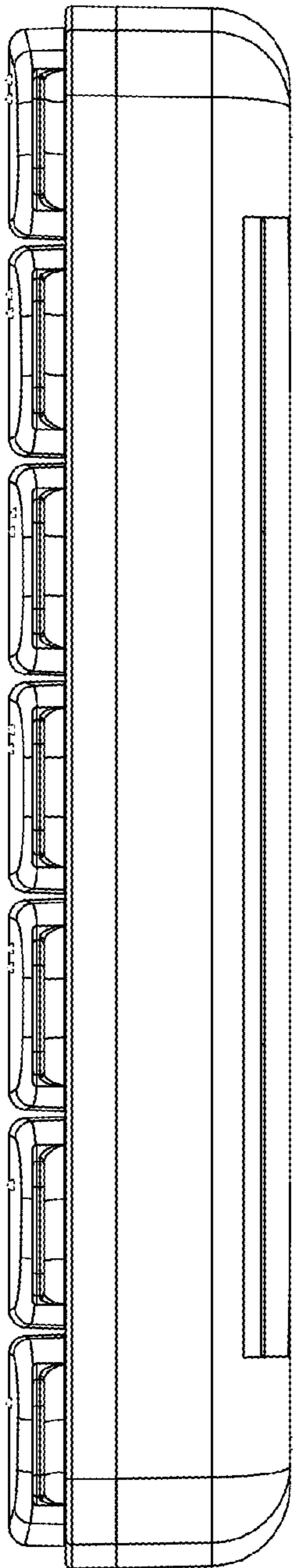
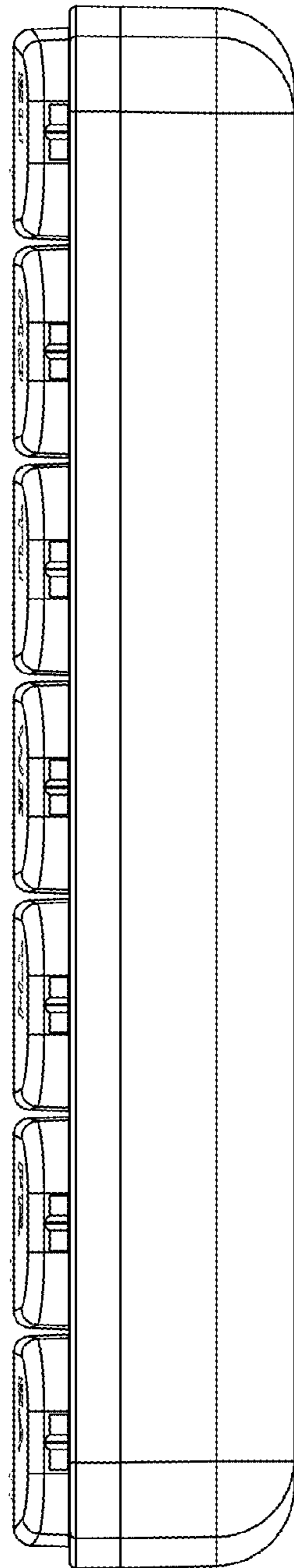


FIG. 31



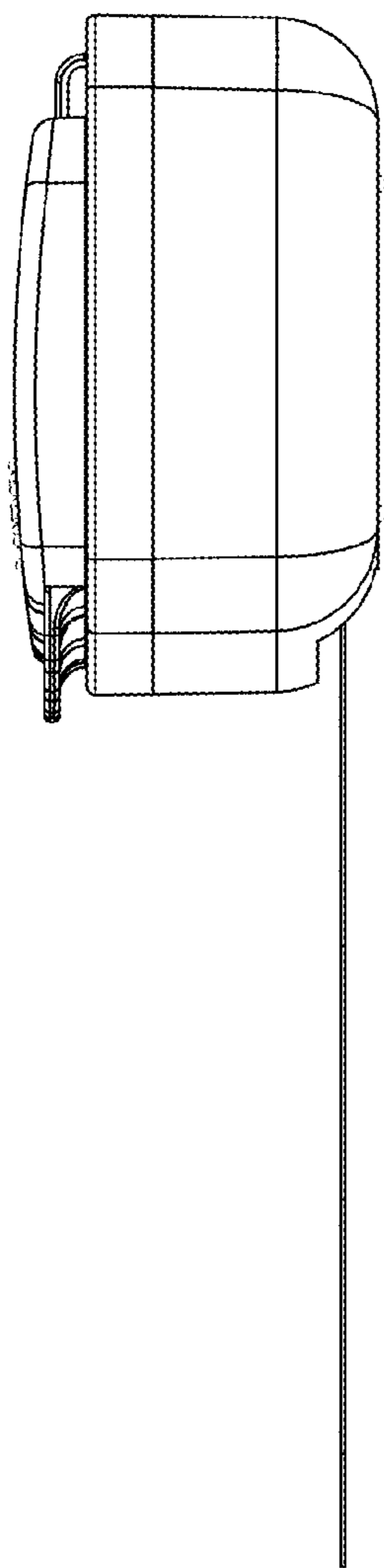


FIG. 32

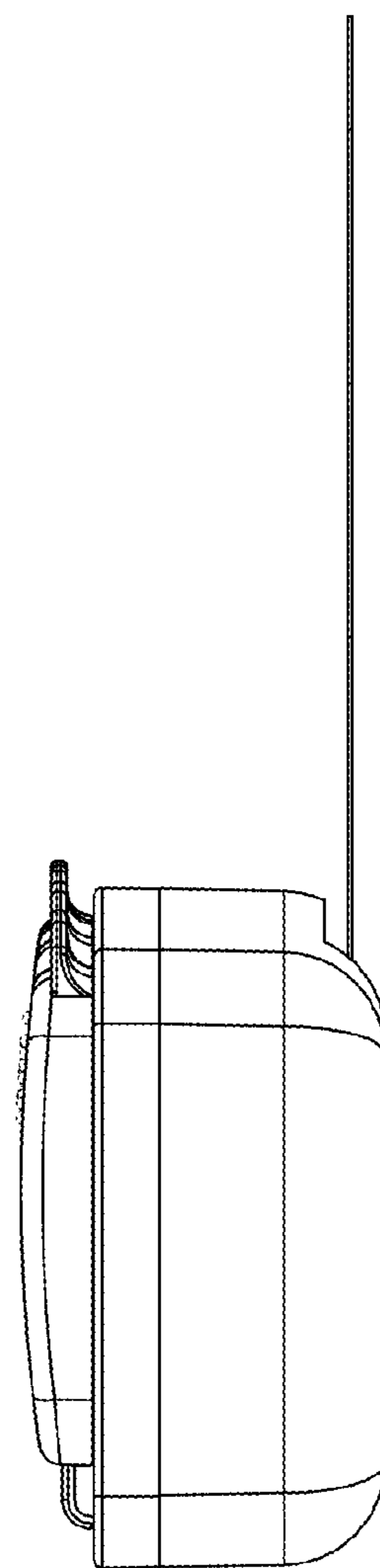


FIG. 33

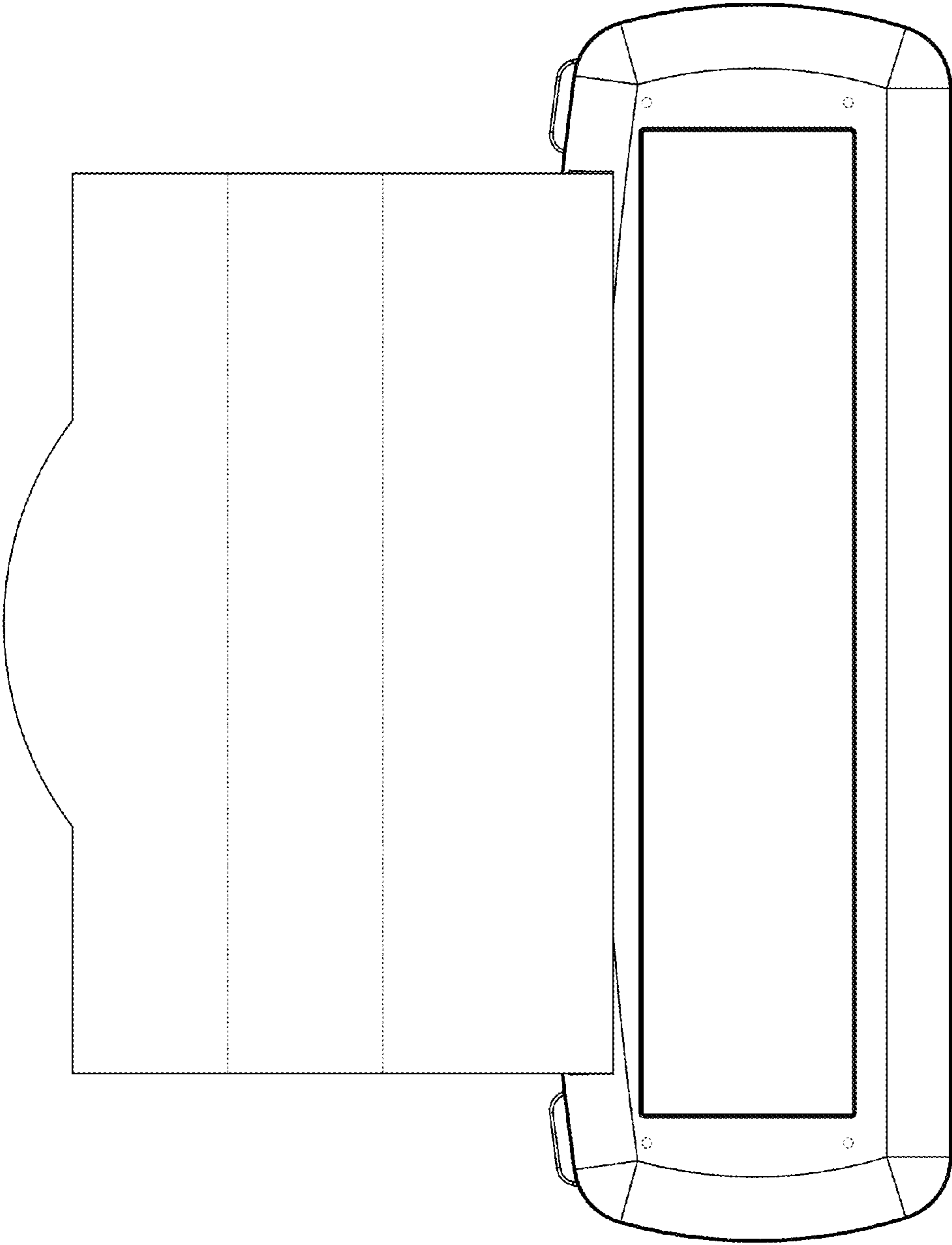


FIG. 35