

US00D696007S

(12) **United States Design Patent**
Priebe et al.

(10) **Patent No.:** **US D696,007 S**
(45) **Date of Patent:** **** Dec. 24, 2013**

(54) **PILL CONTAINER WITH REGISTER**

(71) Applicant: **Apothecary Products, Inc.**, Burnsville, MN (US)

(72) Inventors: **Robert N. Priebe**, Bloomington, MN (US); **Terrance O. Noble**, Burnsville, MN (US)

(73) Assignee: **Apothecary Products, Inc.**, Burnsville, MN (US)

(**) Term: **14 Years**

(21) Appl. No.: **29/448,017**

(22) Filed: **Mar. 8, 2013**

(51) **LOC (9) Cl.** **03-01**

(52) **U.S. Cl.**
USPC **D3/203.3**

(58) **Field of Classification Search**
USPC D3/201–205, 294; 206/528–540;
D9/737, 749, 755, 759–760
See application file for complete search history.

(56) **References Cited**

U.S. PATENT DOCUMENTS

D232,523	S	*	8/1974	Nudell	D3/203.3
4,749,085	A		6/1988	Denney		
D330,670	S		11/1992	Georgakis et al.		
D342,892	S		1/1994	Teerds		
D349,850	S		8/1994	Leman		
D415,958	S		11/1999	Noble		
D418,288	S		1/2000	Priebe		
D430,392	S		9/2000	Noble		
D437,685	S	*	2/2001	Liu	D3/294
D522,742	S		6/2006	Priebe		

(Continued)

Primary Examiner — Catheri Oliver-Garcia

(74) Attorney, Agent, or Firm — Merchant & Gould P.C.

(57) **CLAIM**

The ornamental design for pill container with register, as shown and described.

DESCRIPTION

FIG. 1 is a perspective view of a first embodiment of a pill container with register, according to our design;

FIG. 2 is a front view thereof;

FIG. 3 is a rear view thereof;

FIG. 4 is a right view thereof;

FIG. 5 is a left view thereof;

FIG. 6 is a top view thereof;

FIG. 7 is a bottom view thereof;

FIG. 8 is a perspective view of a second embodiment of a pill container with register, according to our new design, the portions shown in broken lines forming no part of the design sought to be patented;

FIG. 9 is a front view thereof;

FIG. 10 is a rear view thereof;

FIG. 11 is a right view thereof;

FIG. 12 is a left view thereof;

FIG. 13 is a top view thereof, the portions shown in broken lines forming no part of the design sought to be patented;

FIG. 14 is a bottom view thereof, the portions shown in broken lines forming no part of the design sought to be patented;

FIG. 15 is a perspective view of a third embodiment of a pill container with register, according to our new design, the portions shown in broken lines forming no part of the design sought to be patented;

FIG. 16 is a front view thereof;

FIG. 17 is a rear view thereof;

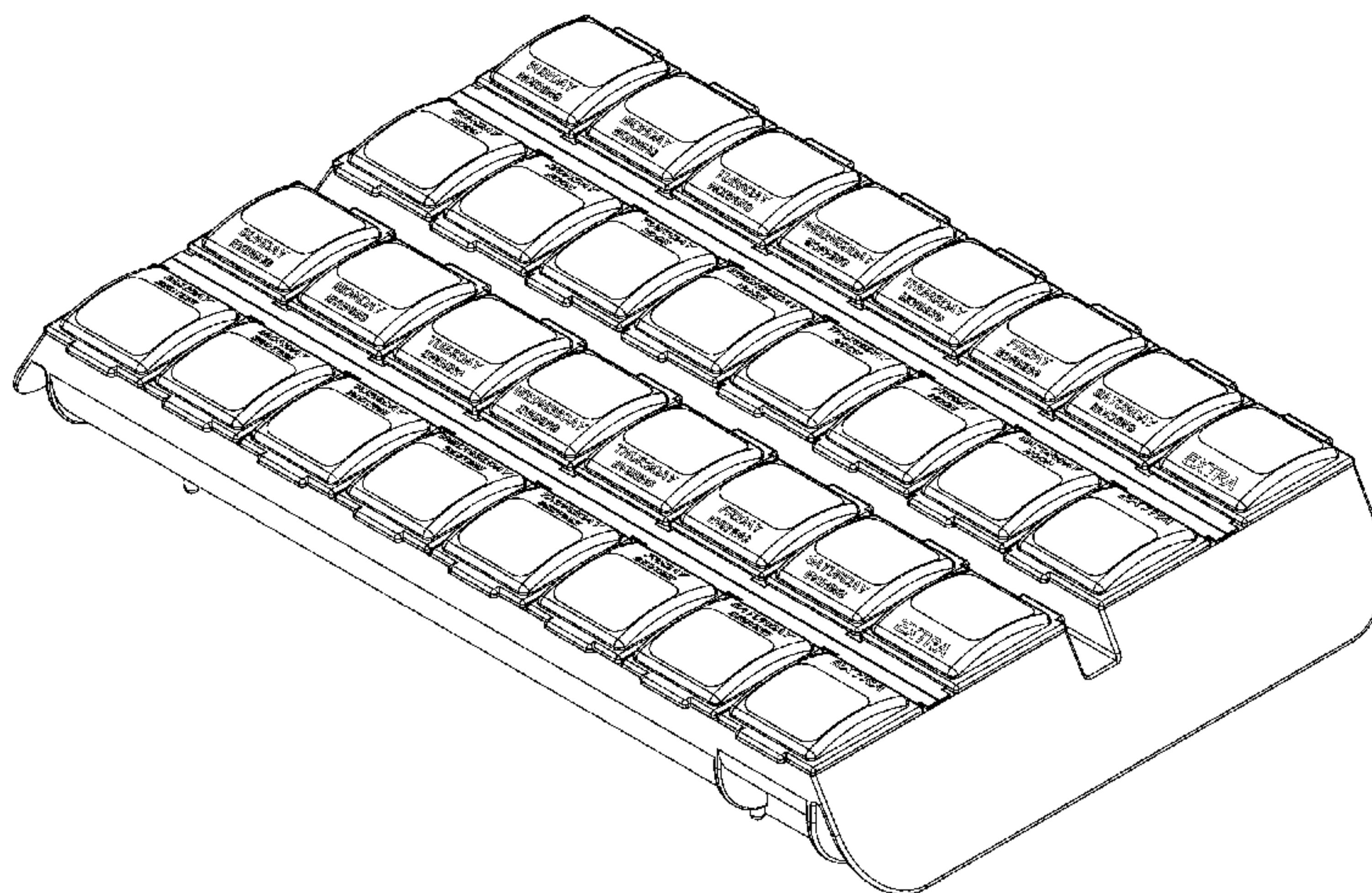
FIG. 18 is a right view thereof;

FIG. 19 is a left view thereof;

FIG. 20 is a top view thereof, the portions shown in broken lines forming no part of the design sought to be patented; and,

FIG. 21 is a bottom view thereof, the portions shown in broken lines forming no part of the design sought to be patented.

1 Claim, 15 Drawing Sheets



(56)

References Cited

U.S. PATENT DOCUMENTS

D524,537 S 7/2006 Priebe et al.
D525,777 S 8/2006 Priebe et al.
D526,478 S 8/2006 Priebe et al.

D576,787 S 9/2008 Fulmer Mason
D661,082 S * 6/2012 Wingate, III D3/203.3
D663,112 S * 7/2012 Fulmer Mason D3/203.3
D679,086 S 4/2013 Liguori

* cited by examiner

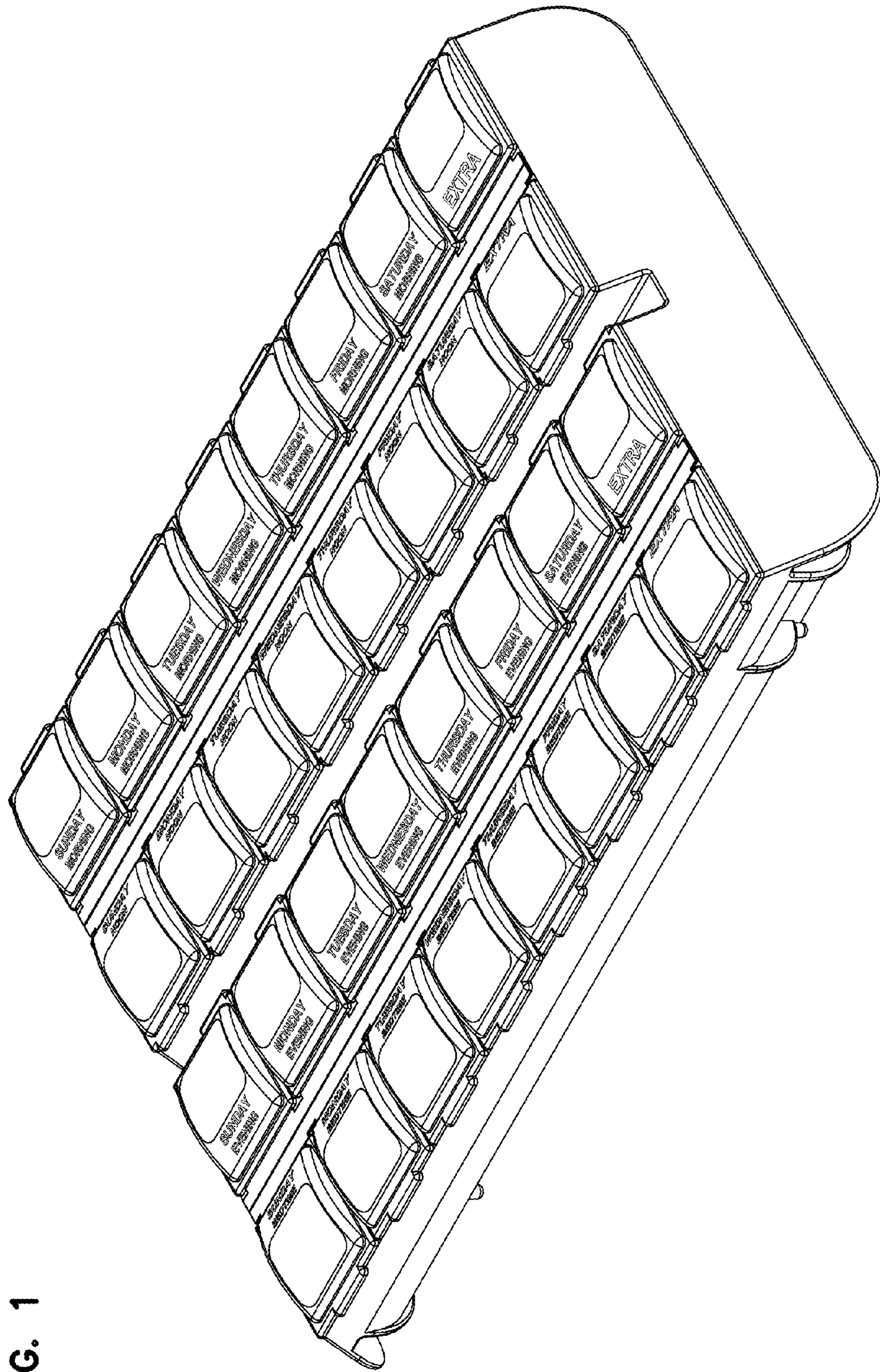


FIG. 1

FIG. 2

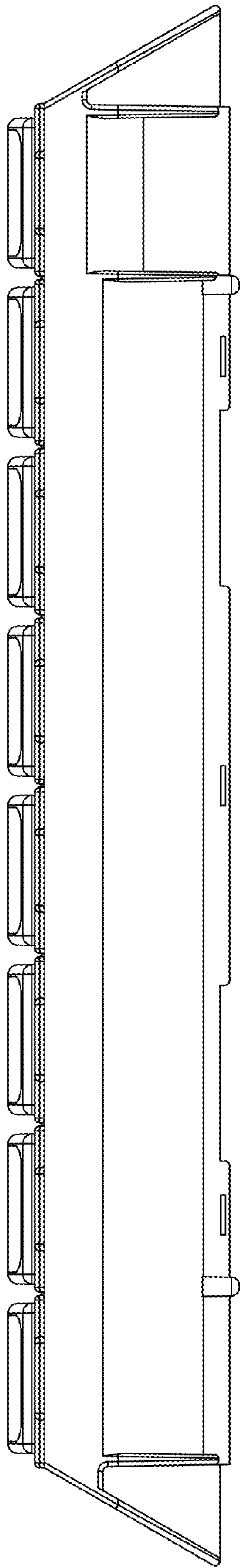
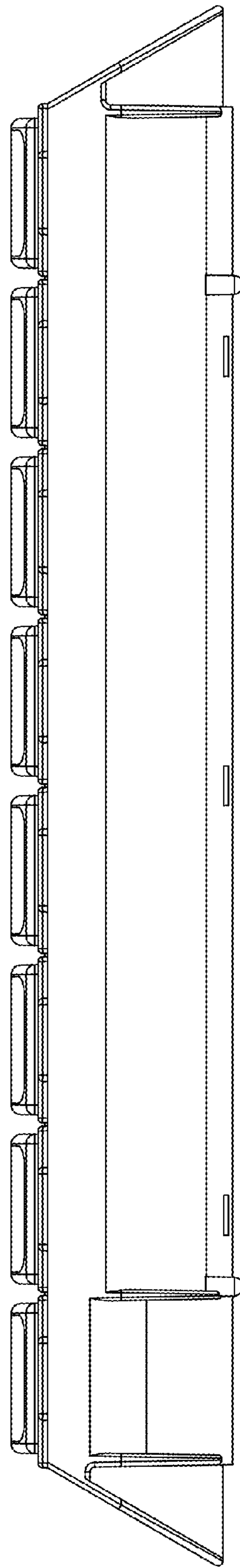


FIG. 3



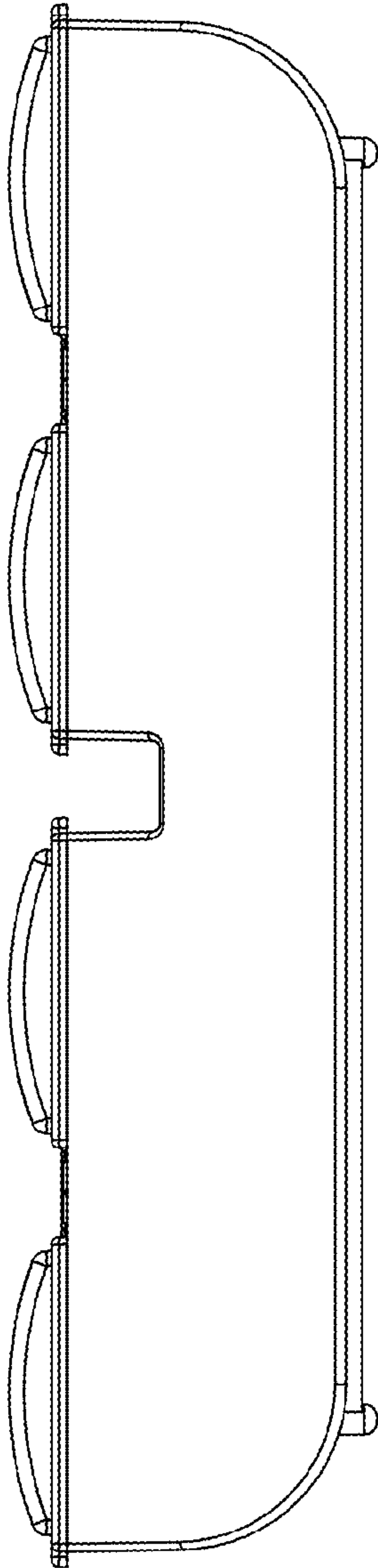


FIG. 4

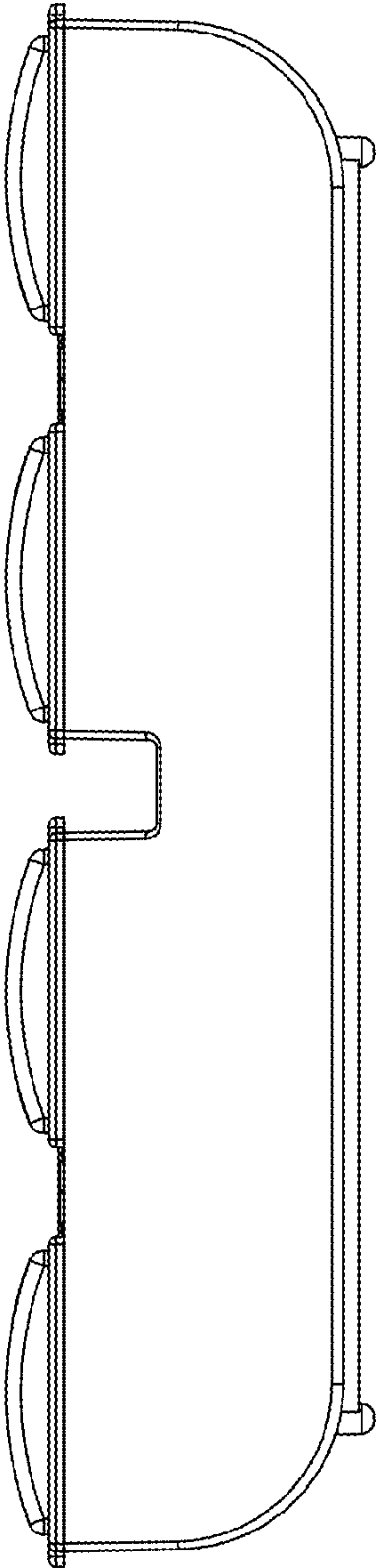
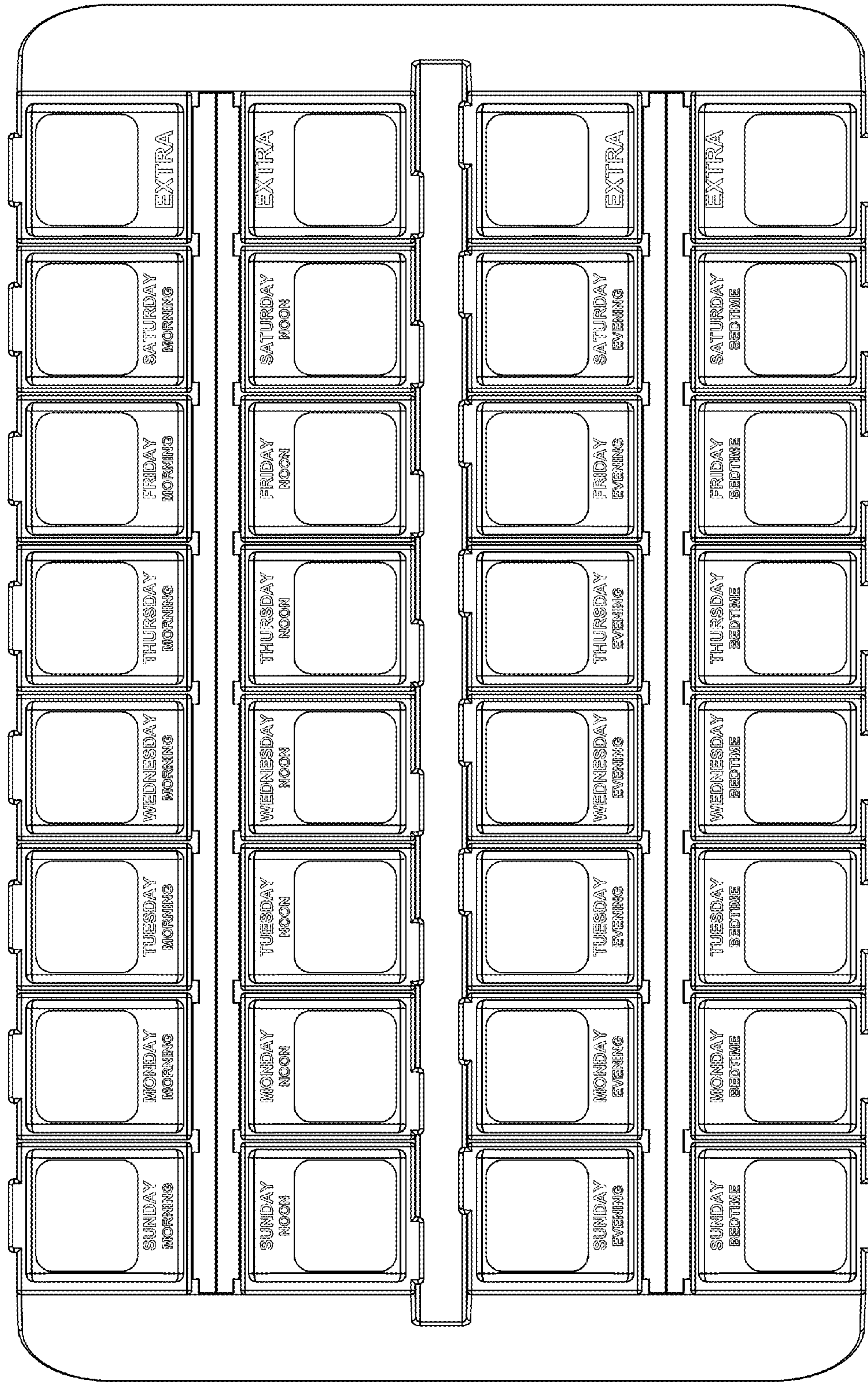


FIG. 5

FIG. 6



Patient Name _____		Telephone # _____					
Doctor Name _____		Telephone # _____					
Pharmacy _____		Telephone # _____					
Dosage Schedule	Bed						
	Eve.						
	Noon						
	Morn.						
Instructions For Use							
Color	RX #						
	Shape						
Dose	Take For:						
Name of Medication							

FIG. 7

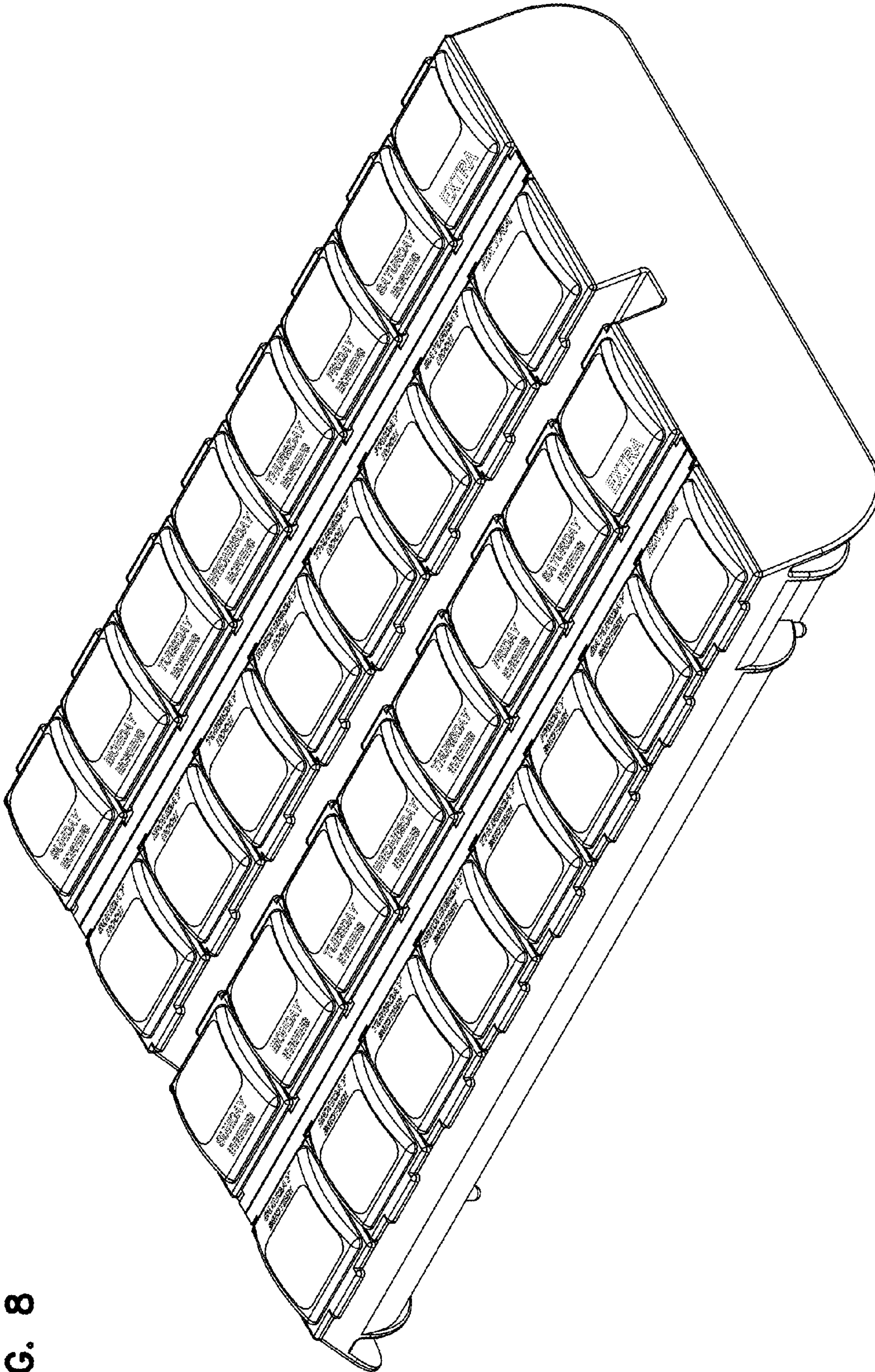


FIG. 8

FIG. 9

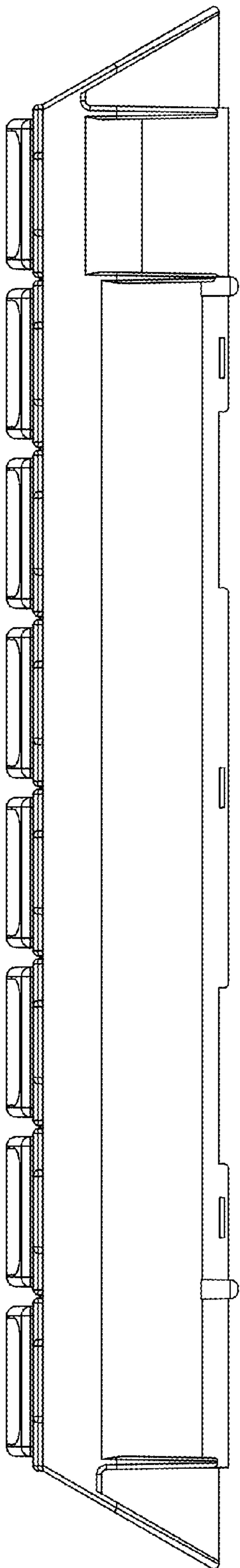
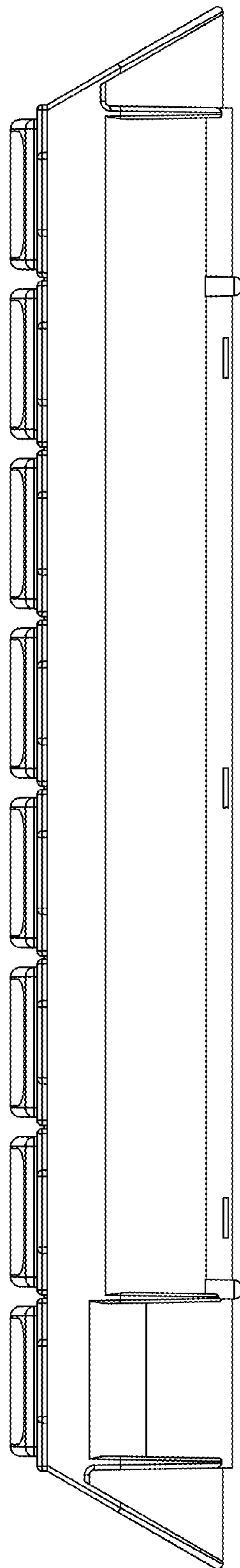


FIG. 10



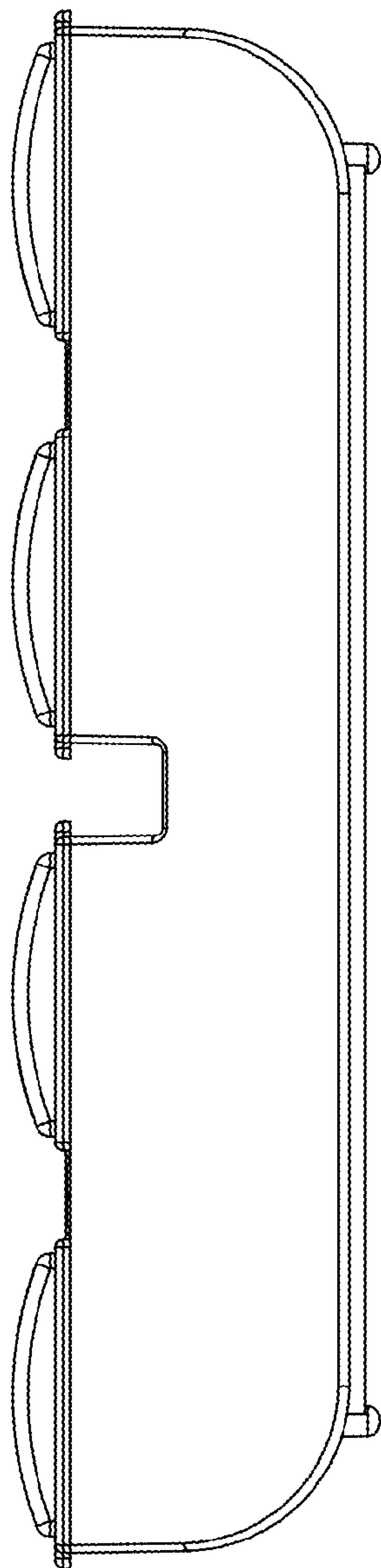


FIG. 11

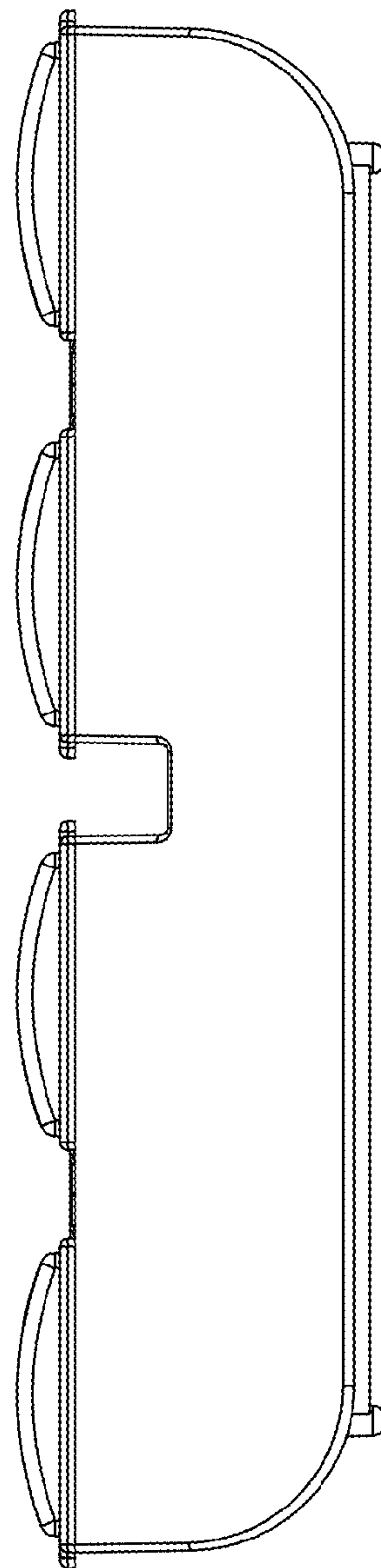
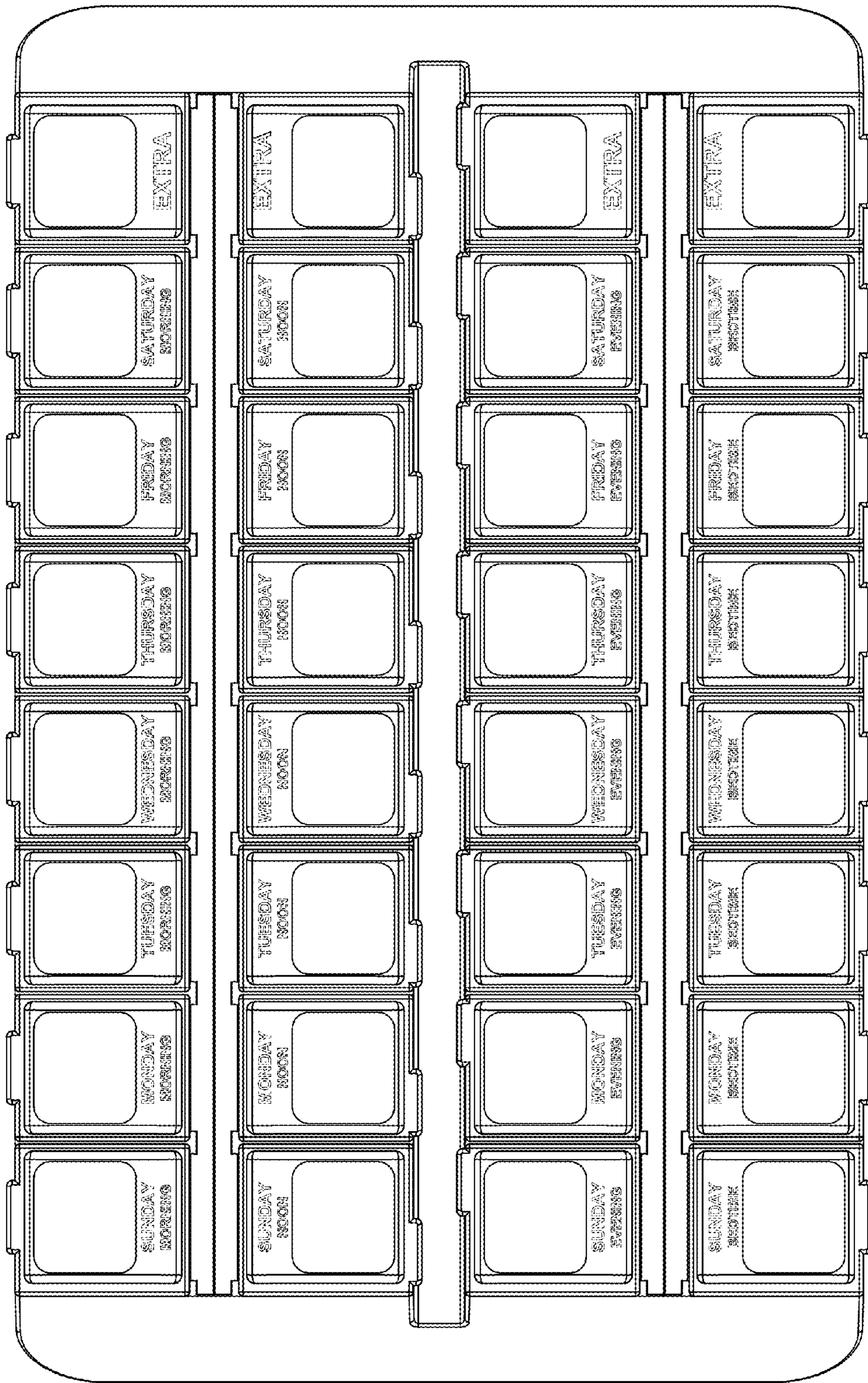


FIG. 12

FIG. 13



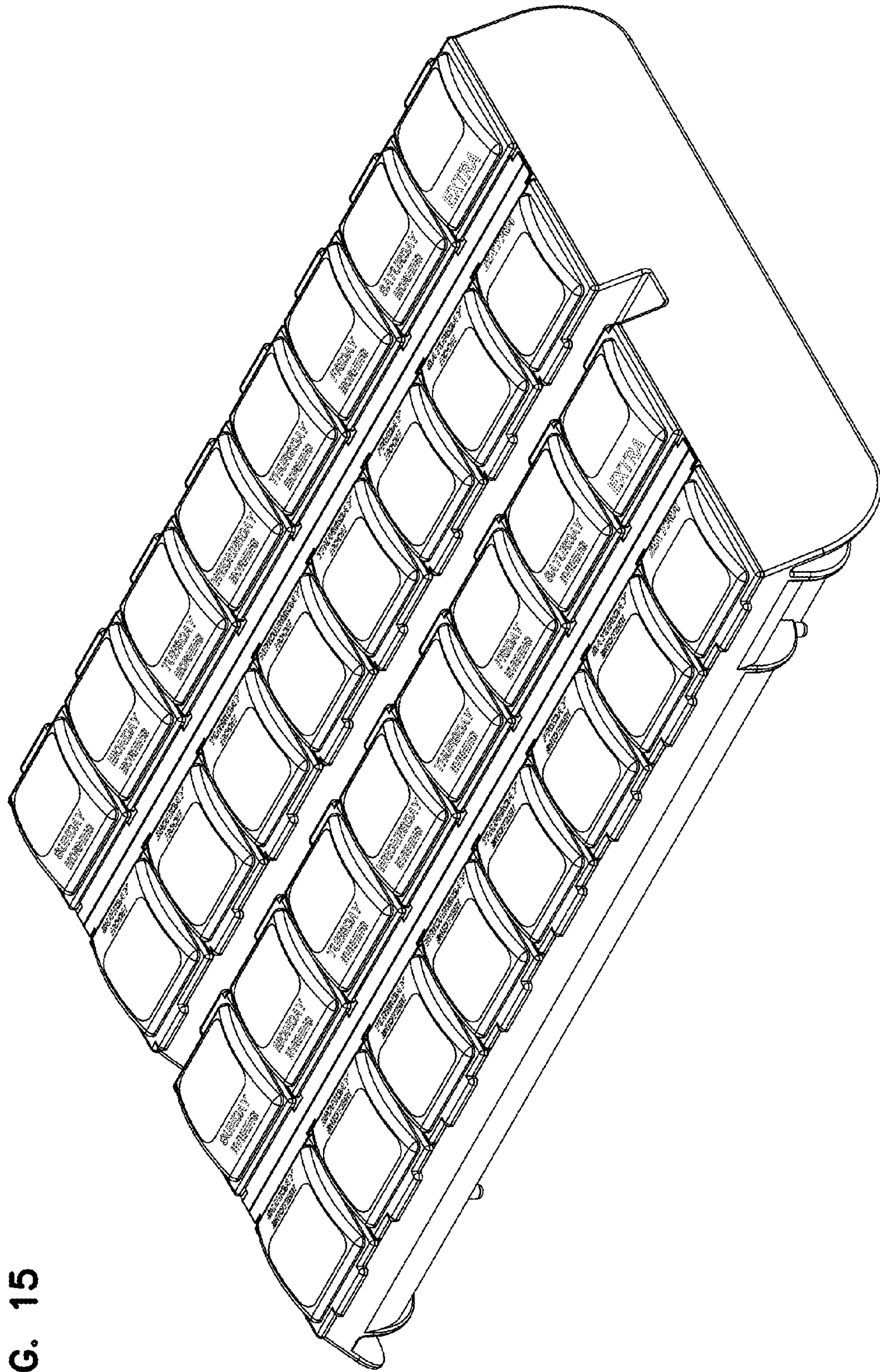


FIG. 15

FIG. 16

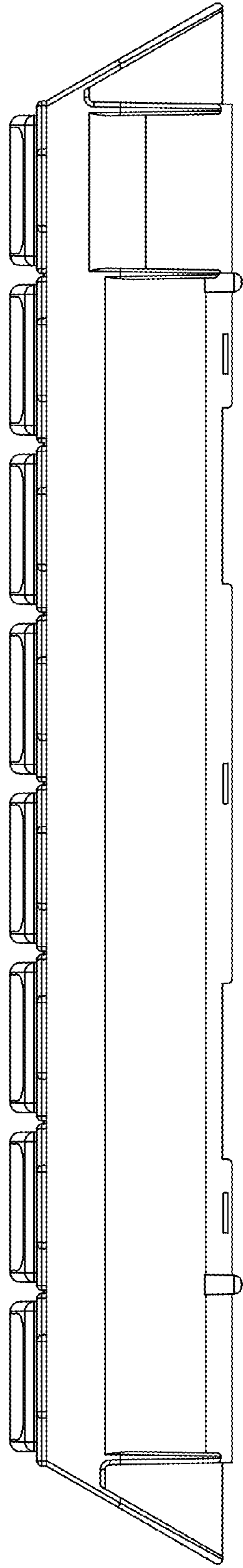
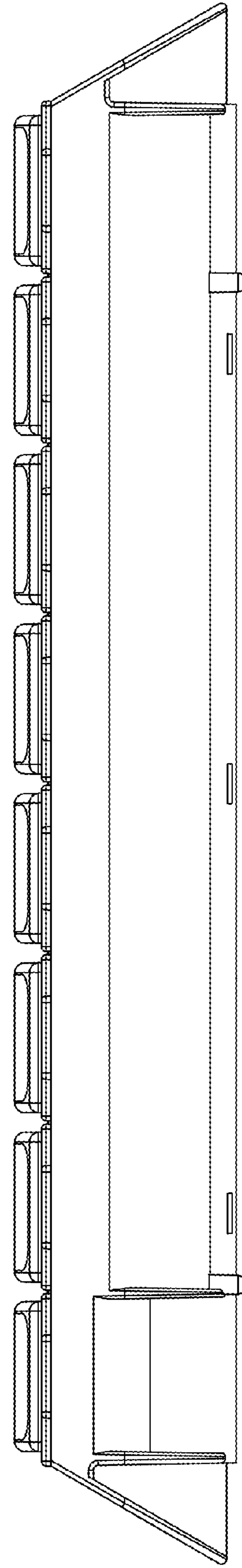


FIG. 17



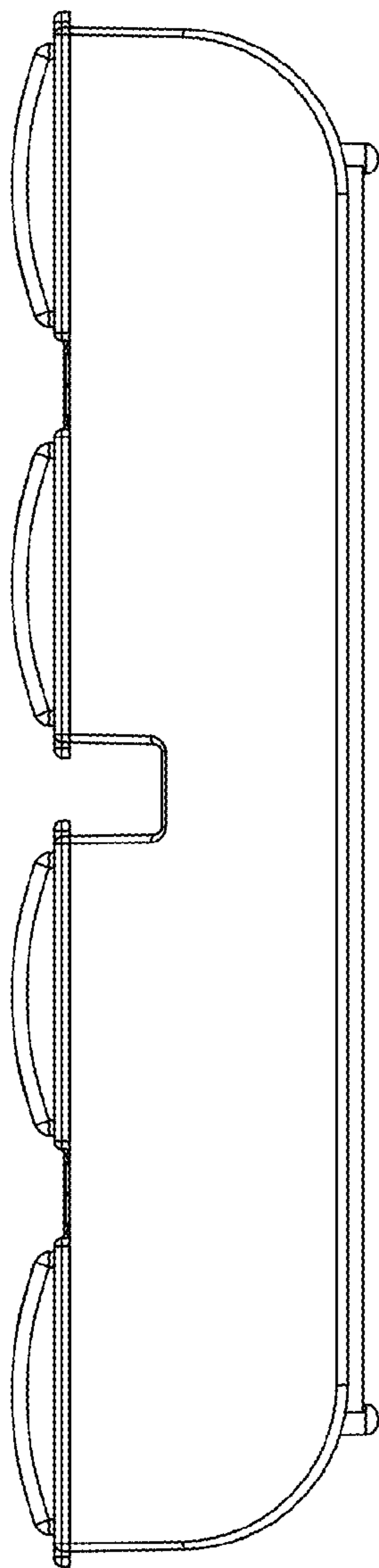


FIG. 18

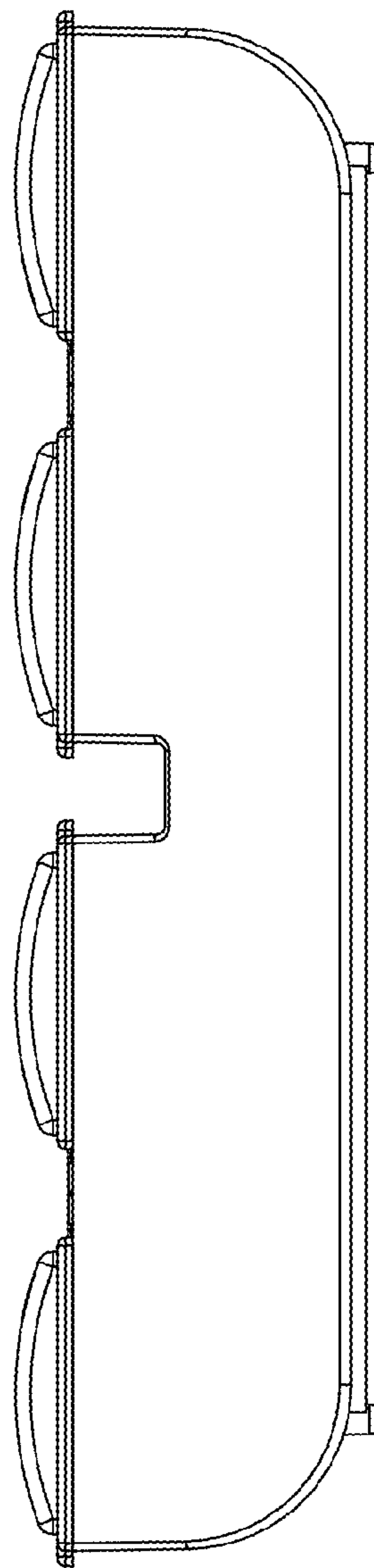


FIG. 19

FIG. 20

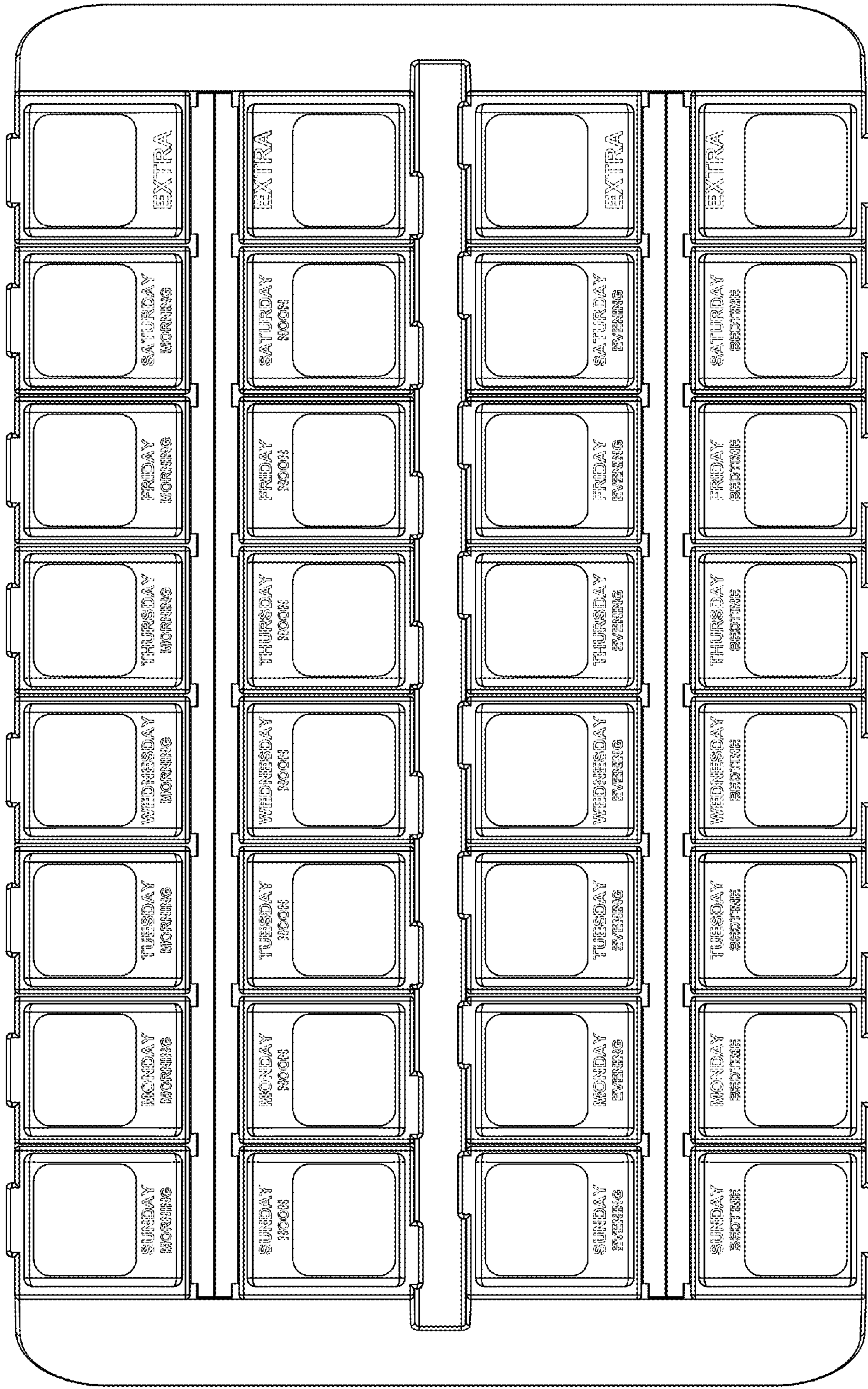


FIG. 21

