



US00D696005S

(12) **United States Design Patent**  
**Kubis et al.**

(10) **Patent No.:** **US D696,005 S**  
(45) **Date of Patent:** **\*\* Dec. 24, 2013**

(54) **SLIP-RESISTANT FOOTWEAR TREAD**

(71) Applicant: **Saf-Gard Safety Shoe Co.**, Greensboro, NC (US)

(72) Inventors: **Patrick Kubis**, Lancaster, PA (US);  
**James Randesi**, Endwell, NY (US)

(73) Assignee: **Saf-Gard Safety Shoe Co.**, Greensboro, NC (US)

(\*\*) Term: **14 Years**

(21) Appl. No.: **29/438,241**

(22) Filed: **Nov. 28, 2012**

**Related U.S. Application Data**

(62) Division of application No. 29/423,750, filed on Jun. 5, 2012, now Pat. No. Des. 674,585, which is a division of application No. 29/363,836, filed on Jun. 15, 2010, now Pat. No. Des. 661,477.

(51) **LOC (9) Cl.** ..... **02-04**

(52) **U.S. Cl.**  
USPC ..... **D2/960**; D2/951; D2/957

(58) **Field of Classification Search**  
USPC ..... D2/902, 906, 908, 916, 918, 925, 946,  
D2/947, 951-962, 977; 36/3 B, 22 R, 24.5,  
36/25 R, 28, 32 R, 34 R, 59 C, 67 A, 103;  
D6/583; D5/53; D12/510, 512, 542  
See application file for complete search history.

(56) **References Cited**

**U.S. PATENT DOCUMENTS**

D241,688 S \* 10/1976 Edmunds ..... D2/955  
D329,131 S 9/1992 Ostberg  
D329,132 S 9/1992 Ostberg  
D335,572 S \* 5/1993 Peterson ..... D2/959

D346,480 S \* 5/1994 Davidson ..... D2/961  
D377,859 S 2/1997 Bramani  
D378,239 S 3/1997 Bramani  
D378,472 S 3/1997 Bramani  
D385,987 S 11/1997 Bramani  
D389,995 S 2/1998 Cockrell  
5,930,921 A 8/1999 Sorofinan et al.  
D414,021 S 9/1999 James  
D433,792 S 11/2000 Cockrell  
D445,243 S \* 7/2001 Cockrell ..... D2/957  
D446,912 S 8/2001 Cockrell  
D446,914 S 8/2001 Cockrell  
D446,915 S 8/2001 Cockrell  
D446,916 S 8/2001 Cockrell  
D447,326 S 9/2001 Cockrell  
D494,346 S \* 8/2004 Hawkins ..... D2/952  
D509,949 S \* 9/2005 Wu ..... D2/959  
D511,881 S 11/2005 Cockrell  
D514,287 S \* 2/2006 Cockrell ..... D2/959  
D529,694 S 10/2006 Cockrell  
D529,695 S \* 10/2006 Cockrell ..... D2/959  
D529,696 S 10/2006 Cockrell

(Continued)

*Primary Examiner* — T. Chase Nelson

(74) *Attorney, Agent, or Firm* — Ward and Smith, P.A.

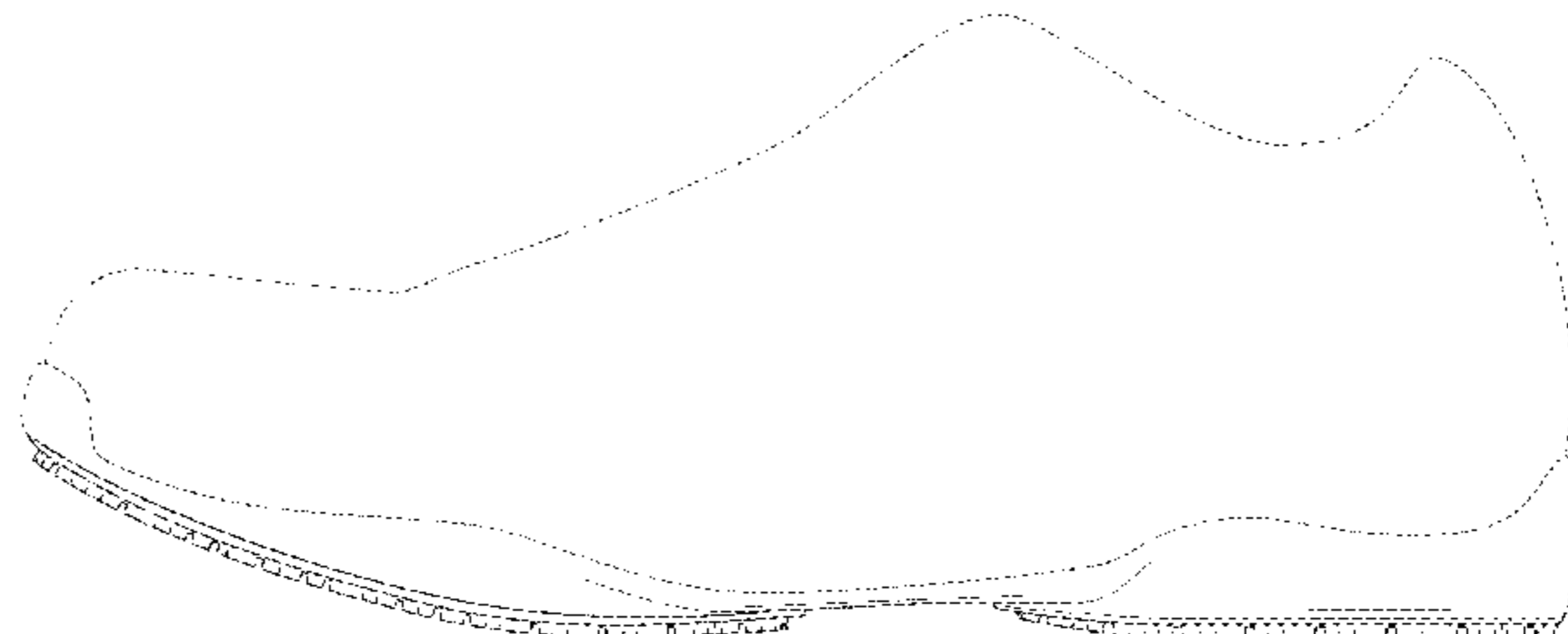
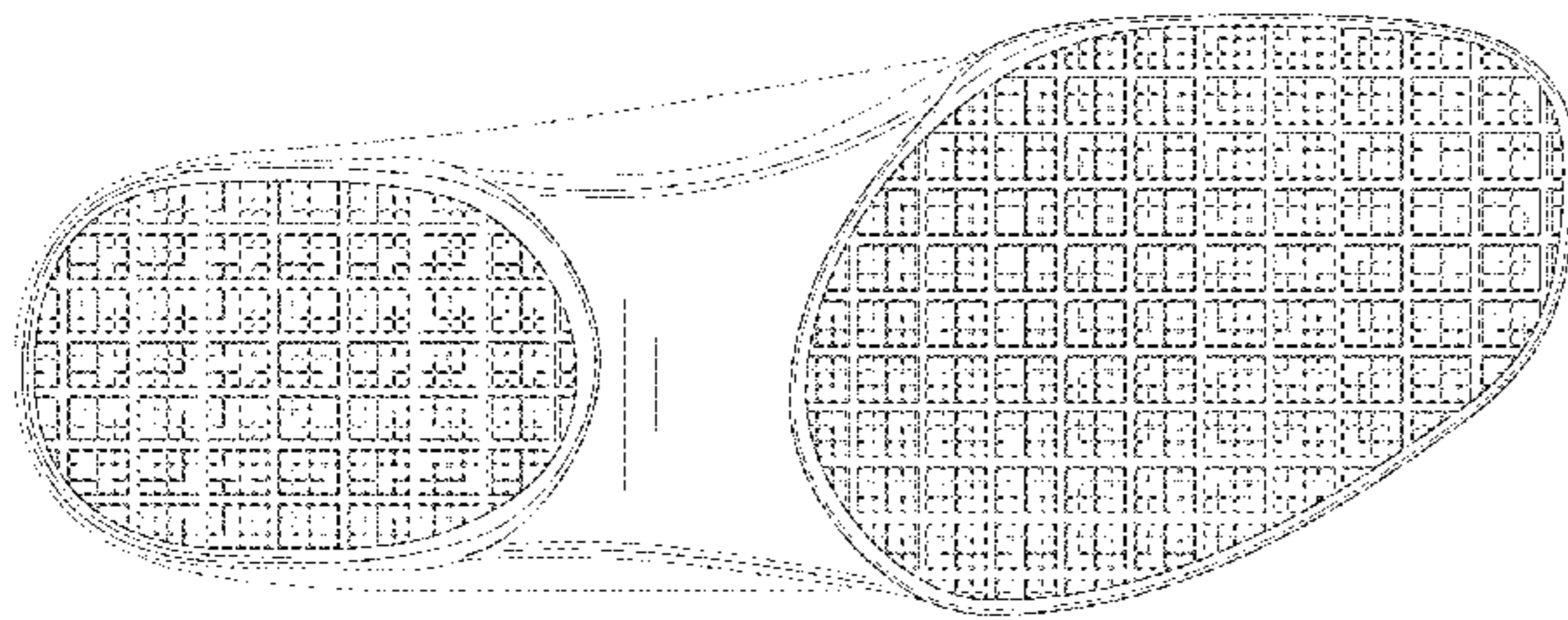
(57) **CLAIM**

The ornamental design for a slip-resistant footwear tread, as shown and described.

**DESCRIPTION**

FIG. 1 is a perspective view of an embodiment of a slip-resistant footwear tread showing our new design;  
FIG. 2 is a plan view thereof;  
FIG. 3 is a left side elevation view thereof;  
FIG. 4 is a right side elevation view thereof;  
FIG. 5 is a front elevation view thereof; and,  
FIG. 6 is a rear elevation view thereof.  
The broken lines shown in the drawings are for environmental purposes only and form no part of the claimed design.

**1 Claim, 6 Drawing Sheets**



(56)

References Cited

U.S. PATENT DOCUMENTS

D530,067 S *	10/2006	Cockrell	.....	D2/959	D625,500 S *	10/2010	Dekovic	.....	D2/959
D530,493 S *	10/2006	Holmes	.....	D2/957	D632,880 S *	2/2011	Youn	.....	D2/957
D530,894 S *	10/2006	Cockrell	.....	D2/959	D635,342 S *	4/2011	Youn	.....	D2/951
D530,895 S *	10/2006	Cockrell	.....	D2/959	D635,746 S *	4/2011	Cofinco	.....	D2/896
D531,789 S *	11/2006	Kohastu et al.	.....	D2/959	D639,539 S *	6/2011	Lubart	.....	D2/951
D532,585 S *	11/2006	McDonald	.....	D2/959	D652,202 S *	1/2012	Huh	.....	D2/957
D538,519 S *	3/2007	McClaskie	.....	D2/957	D653,438 S *	2/2012	Moon	.....	D2/957
D542,017 S *	5/2007	Cockrell	.....	D2/959	D656,721 S *	4/2012	Huh	.....	D2/957
D552,759 S *	10/2007	Murdock	.....	D25/121	8,146,272 B2 *	4/2012	Dukovic et al.	.....	36/59 C
7,290,357 B2 *	11/2007	McDonald et al.	.....	36/102	D664,748 S *	8/2012	Lubart	.....	D2/923
D560,332 S	1/2008	Della Valle			D666,392 S *	9/2012	Shaffer	.....	D2/957
D560,334 S	1/2008	Della Valle			D666,394 S *	9/2012	Mentha	.....	D2/960
D560,888 S	2/2008	Della Valle			D671,305 S *	11/2012	Escobar	.....	D2/958
D561,438 S *	2/2008	Belley	.....	D2/957	D676,634 S *	2/2013	Gavrieli et al.	.....	D2/939
D610,788 S	3/2010	Della Valle			8,365,441 B2 *	2/2013	Kirby et al.	.....	36/59 R
D611,691 S *	3/2010	Lubart	.....	D2/947	2005/0262739 A1 *	12/2005	McDonald et al.	.....	36/102
D616,187 S *	5/2010	Moon	.....	D2/957	2008/0022553 A1 *	1/2008	McDonald et al.	.....	36/25 R
D619,346 S *	7/2010	Moon	.....	D2/957	2008/0110053 A1 *	5/2008	Dominquez et al.	.....	36/91
D622,042 S *	8/2010	Moon	.....	D2/953	2011/0214313 A1 *	9/2011	James et al.	.....	36/103
D622,946 S *	9/2010	Moon	.....	D2/957	2012/0047770 A1 *	3/2012	Dean et al.	.....	36/103
D625,091 S *	10/2010	Moon	.....	D2/953	2012/0073160 A1 *	3/2012	Marvin et al.	.....	36/28
D625,092 S *	10/2010	Moon	.....	D2/957	2012/0110876 A1 *	5/2012	Lubart	.....	36/59 C
					2012/0159815 A1 *	6/2012	Dekovic et al.	.....	36/103
					2013/0074364 A1 *	3/2013	Lim	.....	36/28

\* cited by examiner



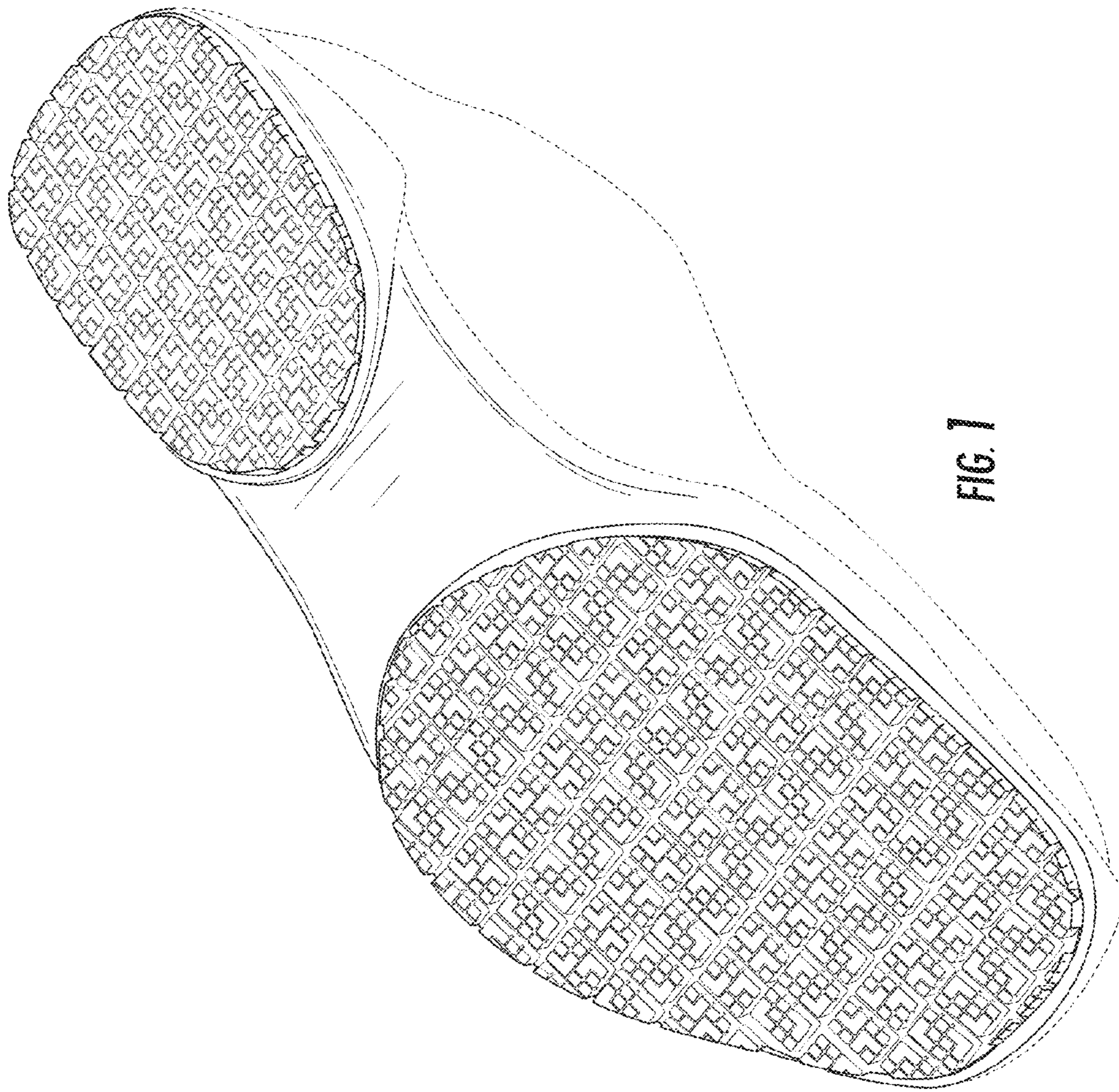


FIG. 1

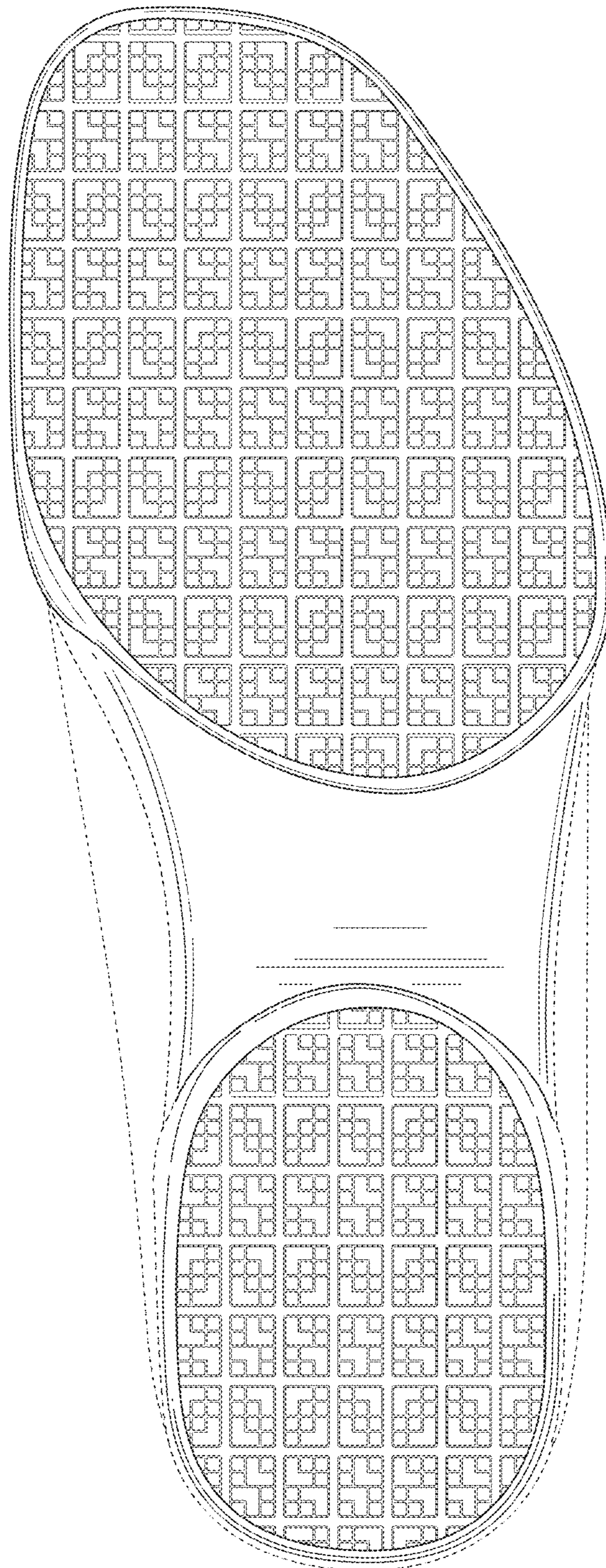


FIG. 2





FIG. 3

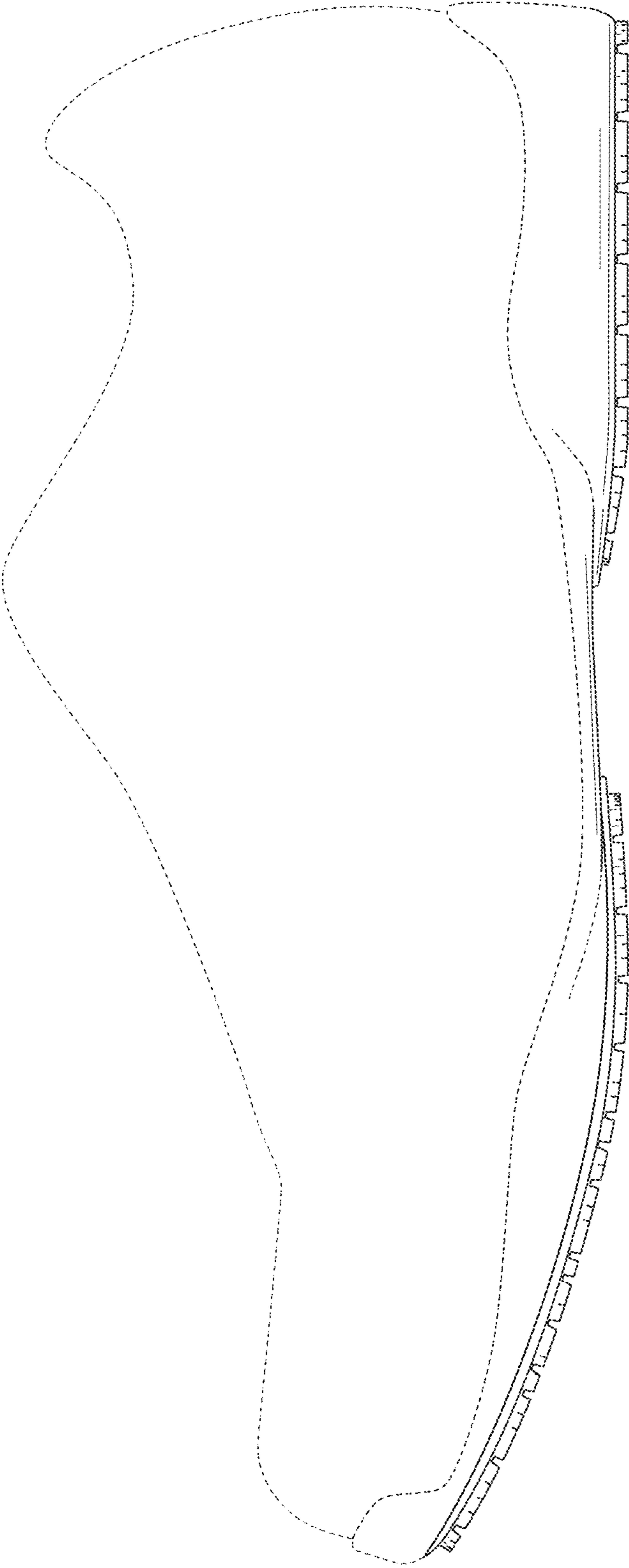


FIG. 4

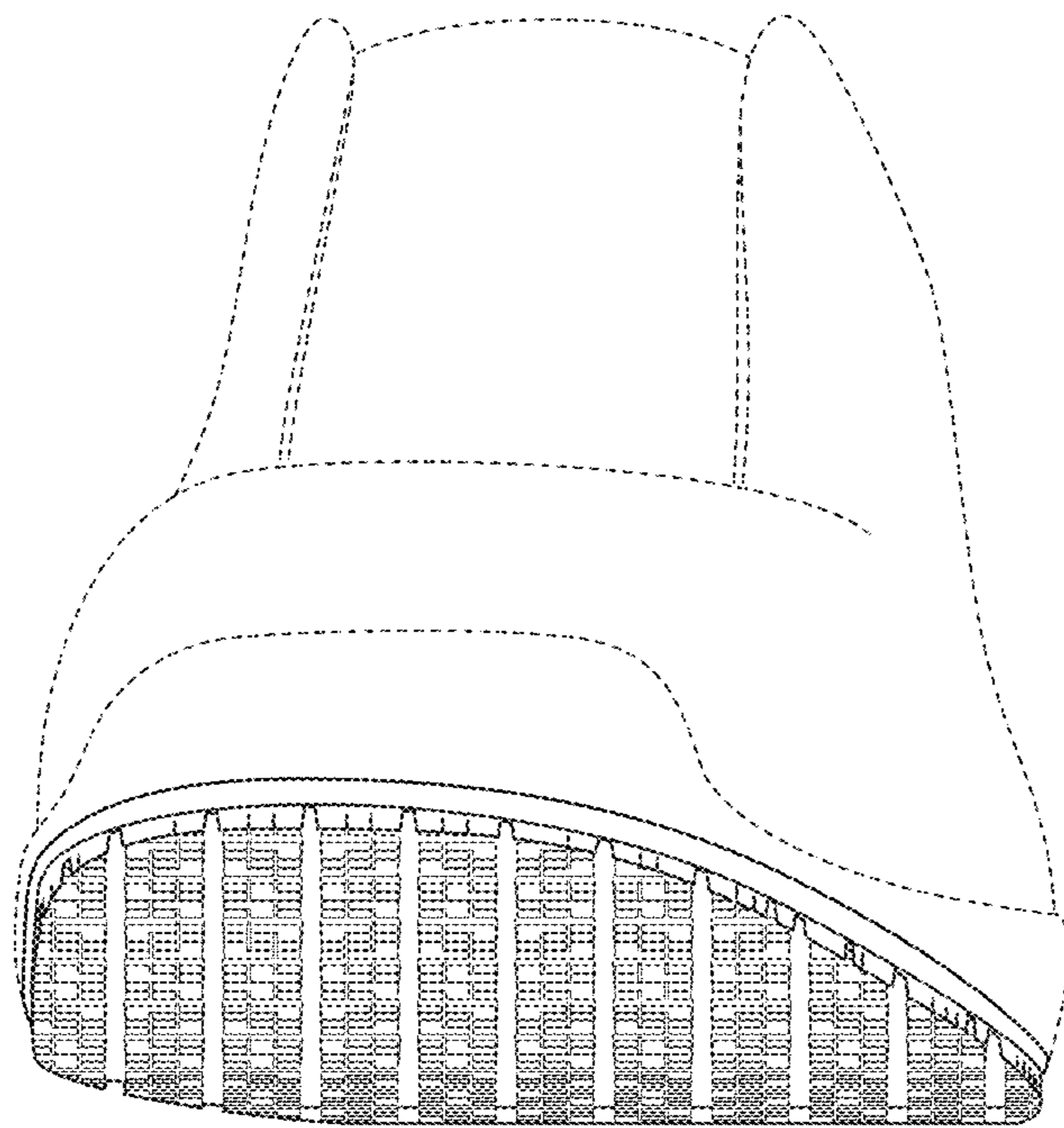


FIG. 5

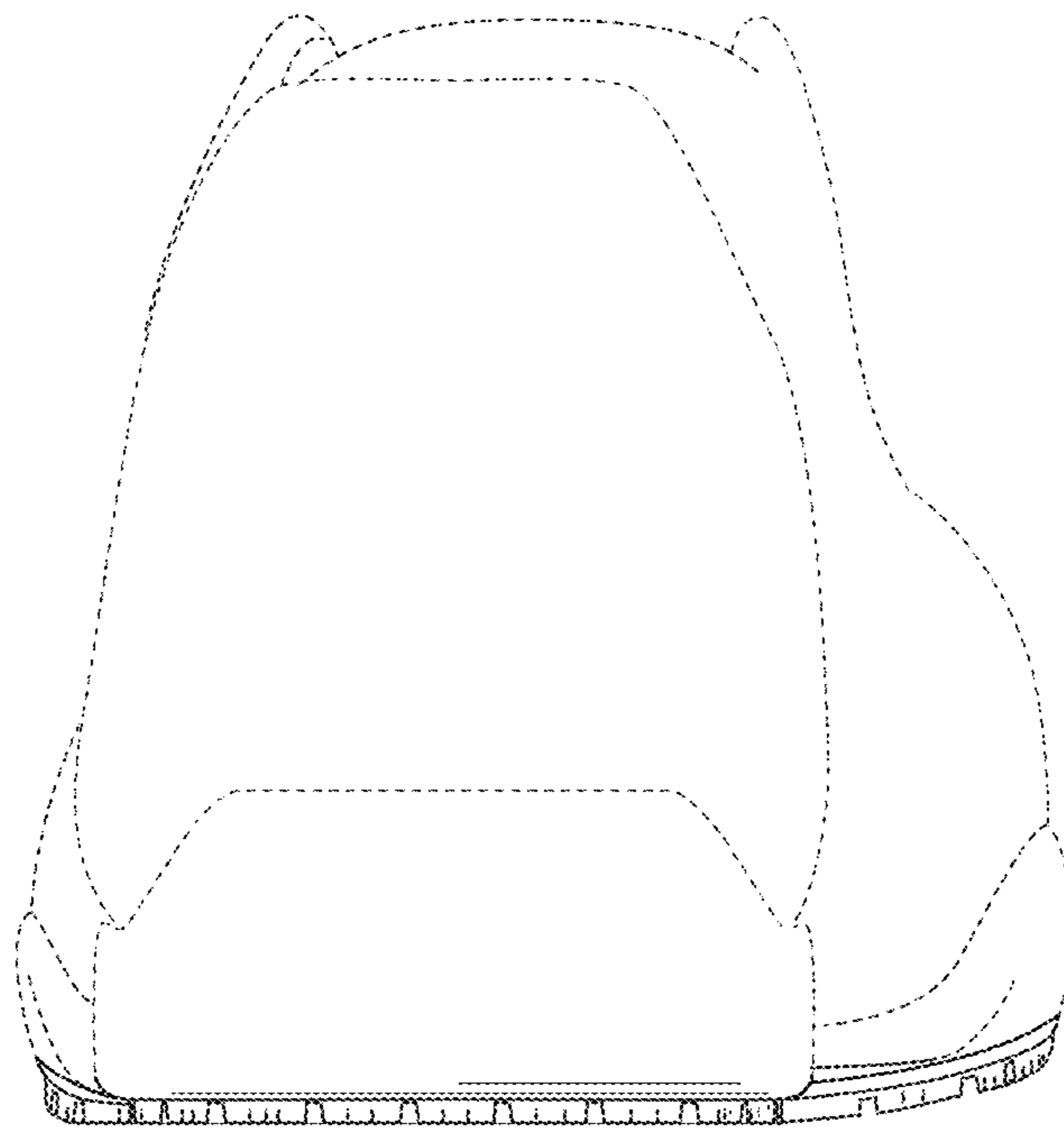


FIG. 6