



(12) **United States Design Patent**
Wyne

(10) **Patent No.:** **US D695,992 S**
(45) **Date of Patent:** **** Dec. 24, 2013**

(54) **COOKIE**

(71) Applicant: **Robert Wyne**, Ocean, MD (US)

(72) Inventor: **Robert Wyne**, Ocean, MD (US)

(**) Term: **14 Years**

(21) Appl. No.: **29/445,562**

(22) Filed: **Feb. 13, 2013**

(51) **LOC (9) Cl.** **01-01**

(52) **U.S. Cl.**
USPC **D1/128**

(58) **Field of Classification Search**
USPC D1/100–130, 199; 426/5, 76, 87, 92,
426/94, 95, 99, 101, 103, 108, 138–139,
426/143, 144, 279, 282, 283, 391, 514, 549,
426/660; D9/601, 435, 414, 415, 418, 669,
D9/706–710, 703, 643, 713; D3/270;
D6/597, 601, 407, 632; D7/544, 676,
D7/507, 675; D21/803, 443; D20/10;
229/123.1; D24/216, 124, 125;
220/4.24, 574; D19/1–3; 206/273, 467;
53/413, 134.2; 383/117

See application file for complete search history.

(56) **References Cited**

U.S. PATENT DOCUMENTS

D117,043	S	10/1939	Huber	
3,339,825	A *	9/1967	Grevich	383/9
3,618,850	A *	11/1971	Palmer	383/204
D285,412	S *	9/1986	Harwell, Jr.	D9/707
D298,280	S	11/1988	Concepcion	
4,898,280	A *	2/1990	Runge	383/200
D315,437	S	3/1991	Stein	
D354,906	S *	1/1995	Lane et al.	D9/707
D375,676	S *	11/1996	Davis et al.	D9/707
D422,774	S	4/2000	Hersh	
D429,402	S	8/2000	Reisman	
D440,736	S	4/2001	Stafford	
D445,238	S	7/2001	Sotovia	

D449,147	S	10/2001	Herwig	
D455,321	S *	4/2002	Jung et al.	D7/629
D509,044	S	9/2005	Wilson	
D517,272	S	3/2006	DeLoach	
7,371,008	B2 *	5/2008	Bonenfant	383/5
D571,076	S	6/2008	Haas	
D573,484	S *	7/2008	Meek	D9/707
D574,259	S *	8/2008	Rosskamp	D9/720
D588,327	S	3/2009	Risko	
D627,129	S	11/2010	Berrong	
D630,522	S *	1/2011	Harvey et al.	D9/707
D634,644	S *	3/2011	Hofman	D9/707
D640,566	S *	6/2011	Norlin et al.	D9/707
D643,745	S *	8/2011	Hartley	D9/707
D645,761	S *	9/2011	Latour et al.	D9/702
8,104,959	B2 *	1/2012	Lucas et al.	383/10
D679,197	S *	4/2013	Dos Santos et al.	D9/732
D680,874	S *	4/2013	Kim et al.	D9/643
D684,314	S *	6/2013	Mai	D27/194
D685,648	S *	7/2013	Berman	D9/710
2012/0118783	A1 *	5/2012	Marle et al.	206/476

* cited by examiner

Primary Examiner — Cathron Brooks

Assistant Examiner — Katie Mroccka

(74) *Attorney, Agent, or Firm* — QuickPatents; Kevin Prince

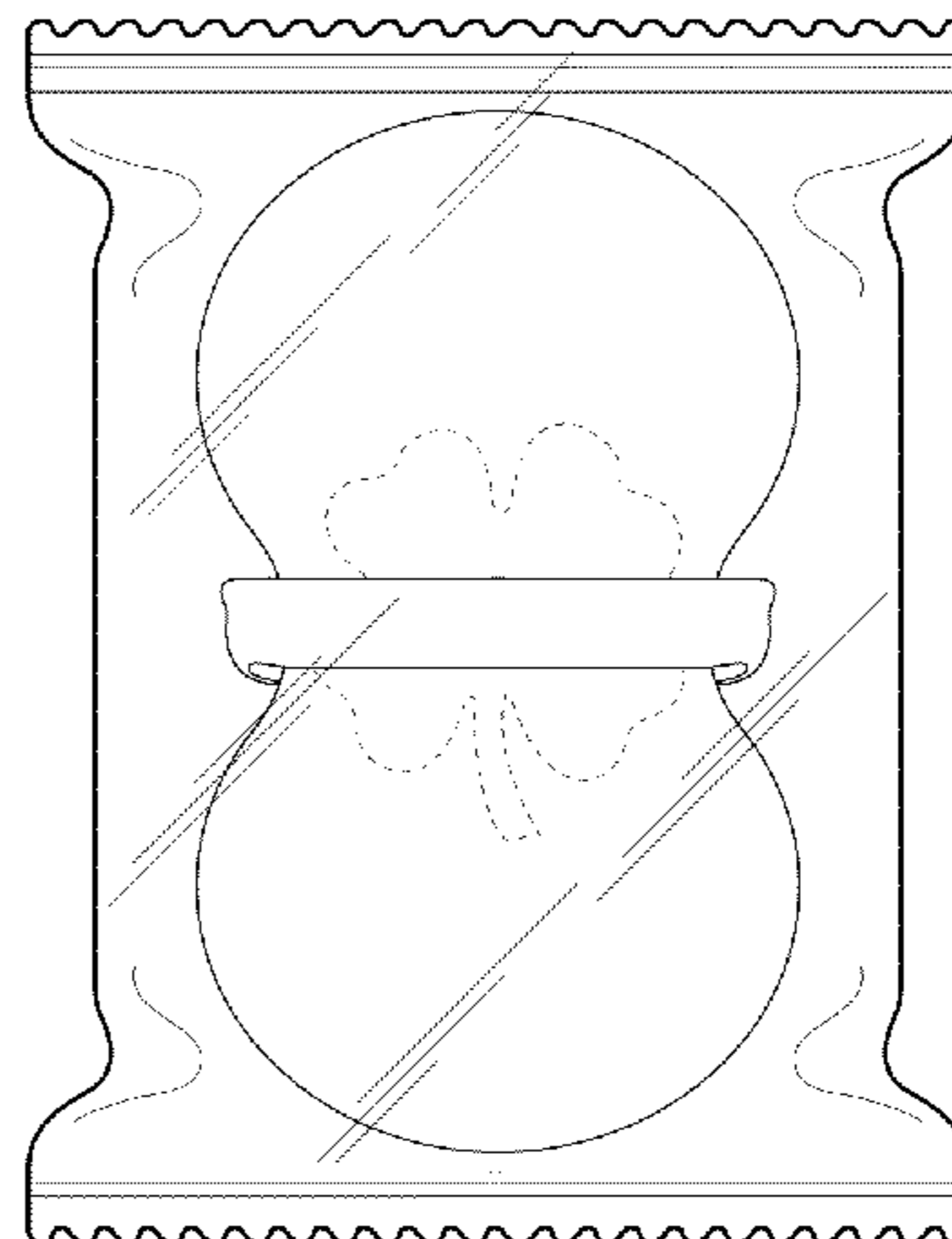
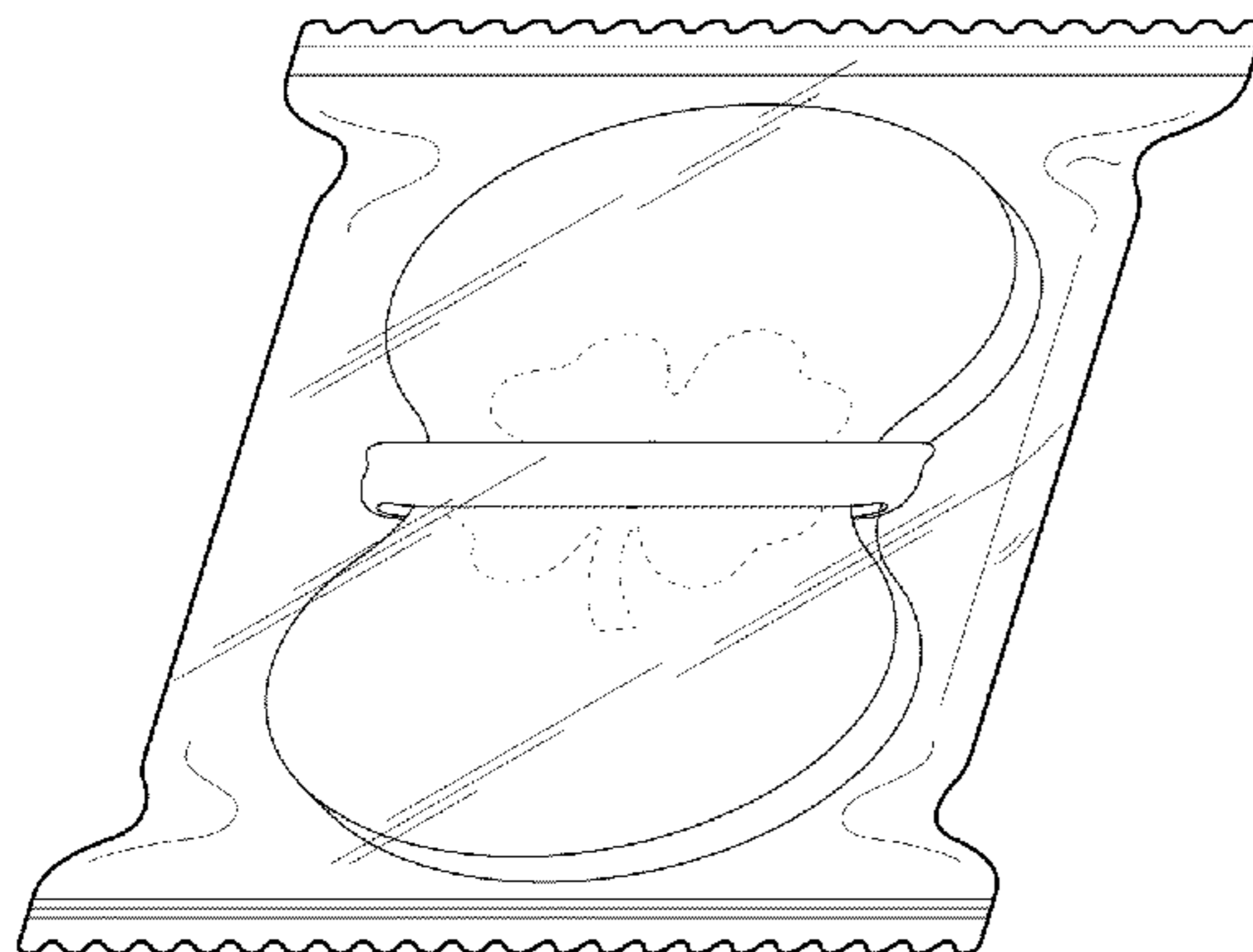
(57) **CLAIM**

I claim the ornamental design for a cookie, as shown and described.

DESCRIPTION

FIG. 1 is a perspective view of a cookie, showing my new design;
FIG. 2 is a top plan view thereof;
FIG. 3 is a bottom plan view thereof;
FIG. 4 is a left-side elevational view thereof, the right-side elevational view being a mirror image thereof; and,
FIG. 5 is a front elevational view thereof, the rear elevational view being a mirror image thereof.
The broken lines showing a logo in FIGS. 1-3 depict environmental matter and form no part of the claimed design.

1 Claim, 2 Drawing Sheets



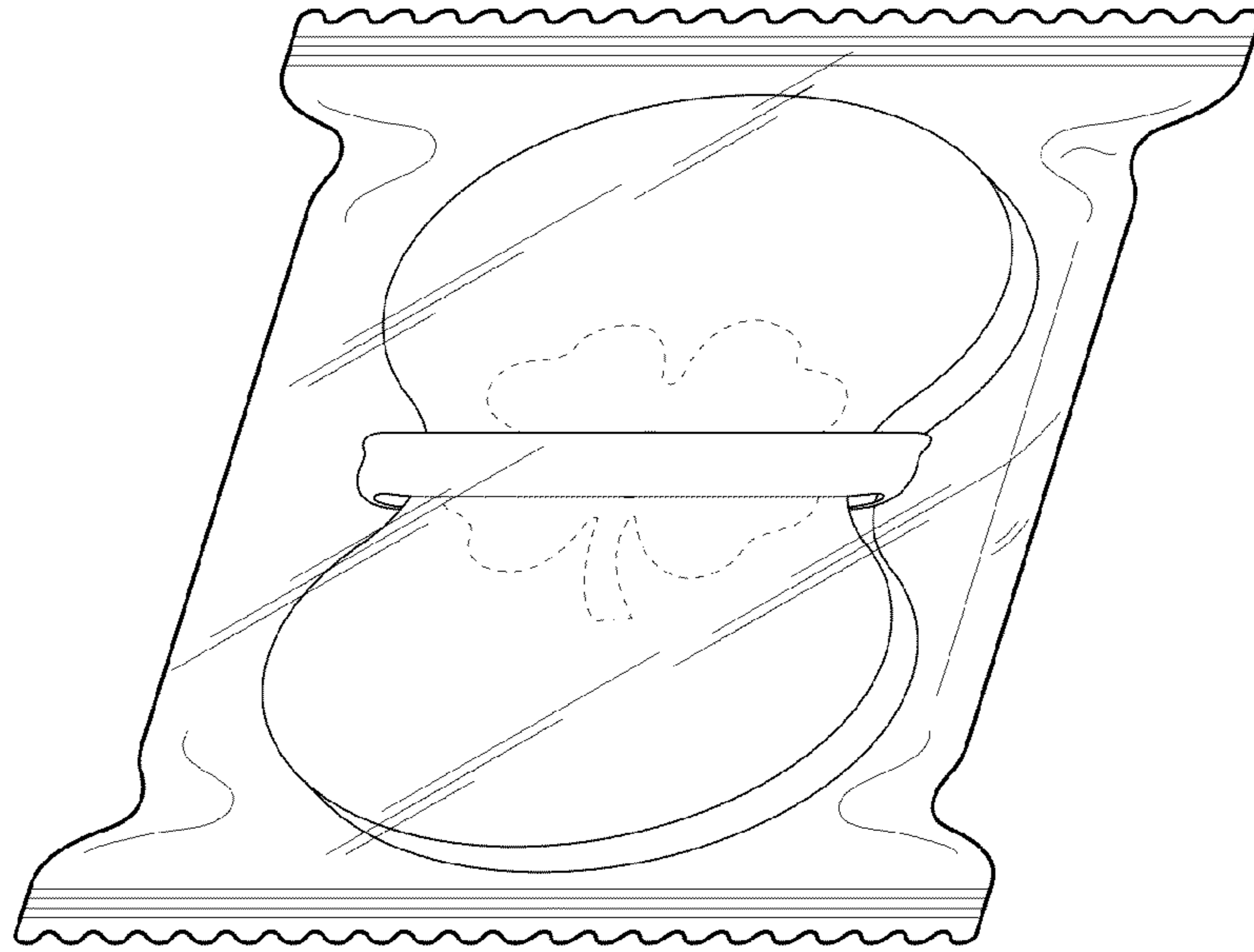


FIG. 1

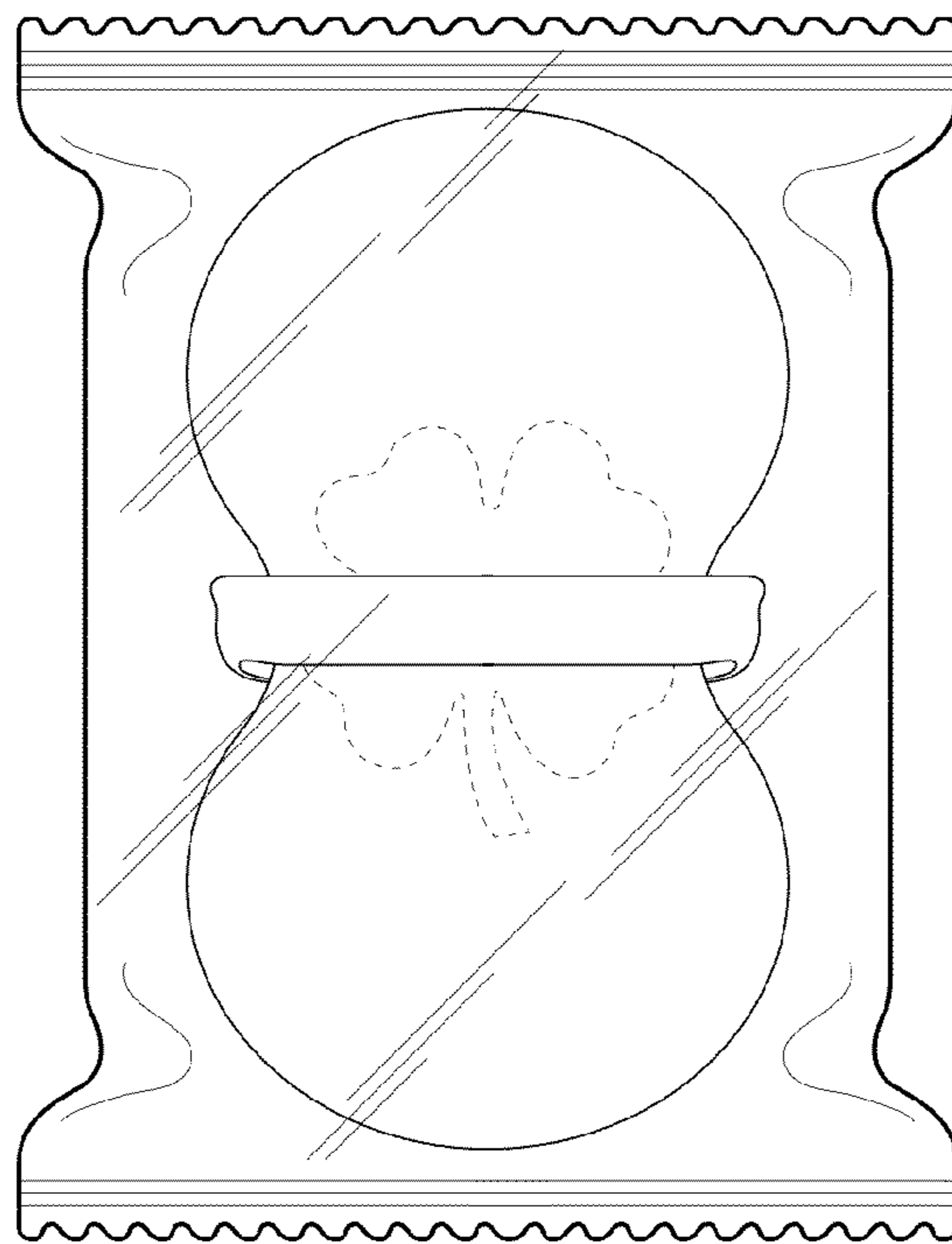


FIG. 2

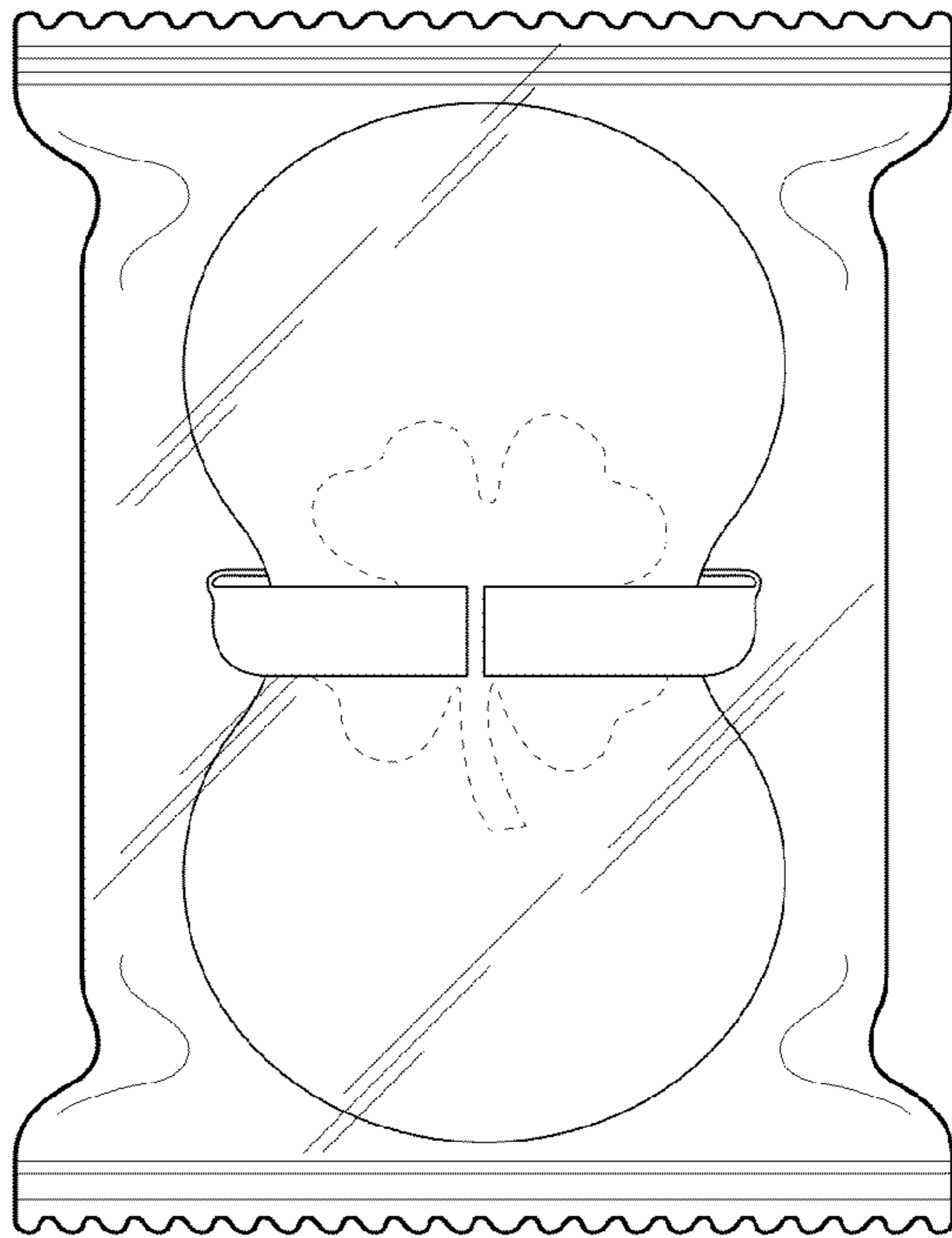


FIG. 3

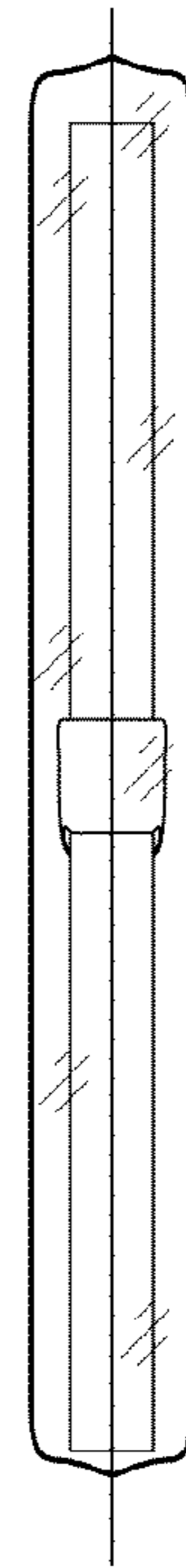


FIG. 4

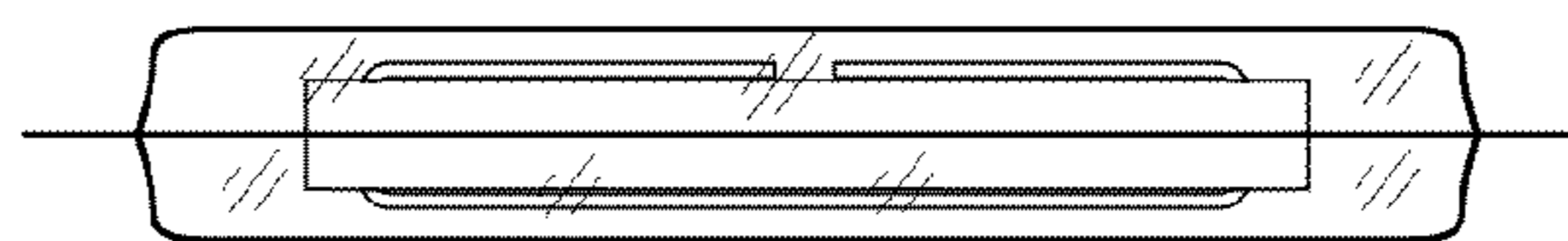


FIG. 5