



US00D695987S

(12) **United States Design Patent**
Starr

(10) **Patent No.:** **US D695,987 S**

(45) **Date of Patent:** **** Dec. 24, 2013**

(54) **FOOD STAND**

(71) Applicant: **Brandon Starr**, Wheat Ridge, CO (US)

(72) Inventor: **Brandon Starr**, Wheat Ridge, CO (US)

(**) Term: **14 Years**

(21) Appl. No.: **29/450,847**

(22) Filed: **Mar. 25, 2013**

(51) **LOC (9) Cl.** **01-01**

(52) **U.S. Cl.**
USPC **D1/105; D7/619.1**

(58) **Field of Classification Search**
USPC D1/100–130, 199; 426/5, 76, 87, 92,
426/94, 95, 99, 101, 103, 104, 108,
426/138–139, 143, 144, 279, 282, 283, 391,
426/514, 549, 559, 560, 660, 808;
D11/143, 144, 152; 248/448, 152, 174,
248/27.8, 441.1; D7/504, 600.1, 600.4,
D7/601, 602, 605, 619.1; D6/310, 314,
D6/678.4, 682.2; D19/20, 21, 88, 91;
D9/707

See application file for complete search history.

(56) **References Cited**

U.S. PATENT DOCUMENTS

342,675	A *	5/1886	Braddock	47/41.01
1,172,667	A	2/1916	Bunnell		
D141,059	S *	5/1945	Siegel	D6/314
2,409,814	A *	10/1946	Vargish	40/745
2,434,860	A *	1/1948	Oxley	248/460
D228,998	S *	11/1973	Rozman	D6/310
D251,426	S *	3/1979	Molyneux	D14/229
D274,703	S *	7/1984	Vogel	D10/15
D278,109	S *	3/1985	Leeds	D6/419
4,760,950	A	8/1988	Levick		
4,771,976	A *	9/1988	Su	248/448
4,879,823	A *	11/1989	Collins	40/124.01
4,917,240	A *	4/1990	Roberts et al.	206/232

5,007,606	A	4/1991	Allen et al.		
5,152,454	A	10/1992	Warta et al.		
D347,195	S *	5/1994	Carroll	D11/144
5,878,982	A *	3/1999	Cumby et al.	248/27.8
5,971,168	A	10/1999	Proulx		
D491,486	S *	6/2004	Bonilla	D11/144
D497,516	S *	10/2004	Roberts	D7/601
D622,079	S *	8/2010	Stukenberg et al.	D6/396
2009/0095853	A1	4/2009	Kivowitz et al.		

* cited by examiner

Primary Examiner — Deanna L Pratt

Assistant Examiner — Katie Mroczka

(74) *Attorney, Agent, or Firm* — Mark D. Trenner; Trenner Law Firm, LLC

(57) **CLAIM**

The ornamental design for a food stand, as shown and described.

DESCRIPTION

FIG. 1 is a perspective view of the food stand;
 FIG. 2 is a front elevational view of the food stand corresponding to FIG. 1;
 FIG. 3 is a back elevational view of the food stand corresponding to FIG. 1;
 FIG. 4 is a left-side elevational view of the food stand corresponding to FIG. 1, wherein the right-side elevational view is a mirror image;
 FIG. 5 is a top plan view of the food stand corresponding to FIG. 1;
 FIG. 6 is a bottom plan view of the food stand corresponding to FIG. 1; and,
 FIG. 7 is another perspective view of the food stand corresponding to FIG. 1 illustrating the claimed design in a position of use.
 The broken line illustration of a food cone in FIG. 7 is included for the purpose of illustrating the environment of the claimed design and forms no part thereof.

1 Claim, 4 Drawing Sheets

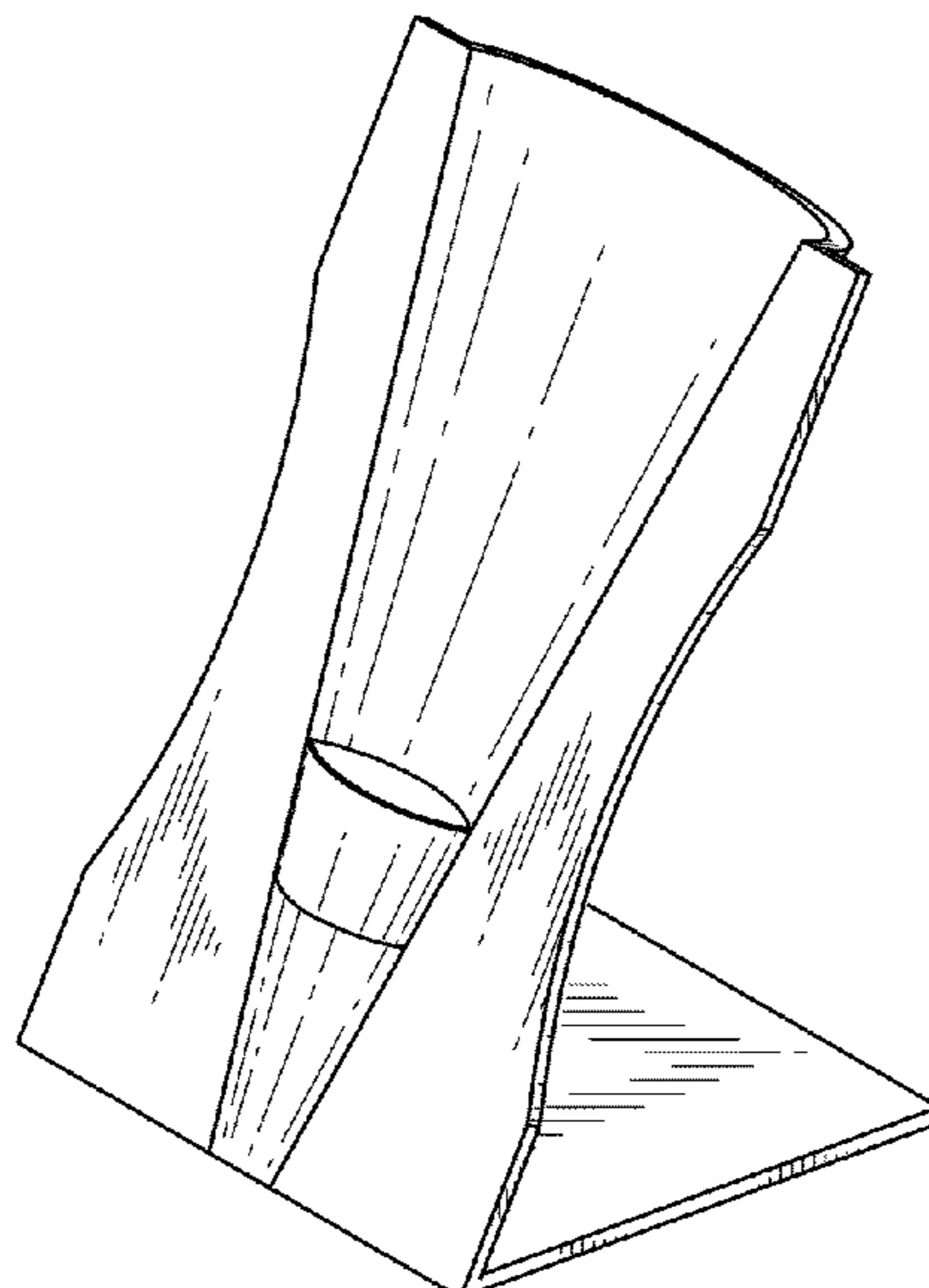


FIG. 1

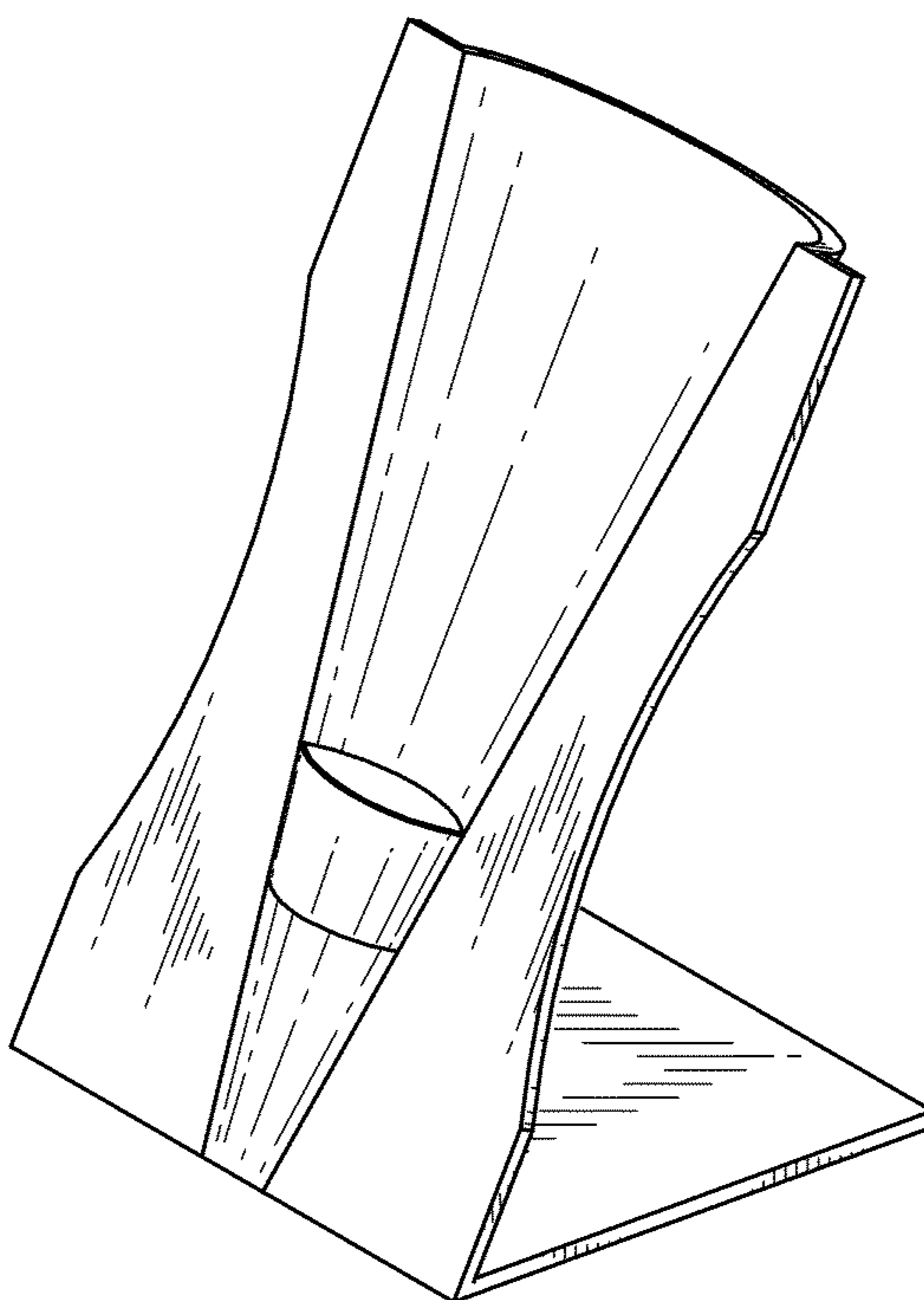


FIG. 2

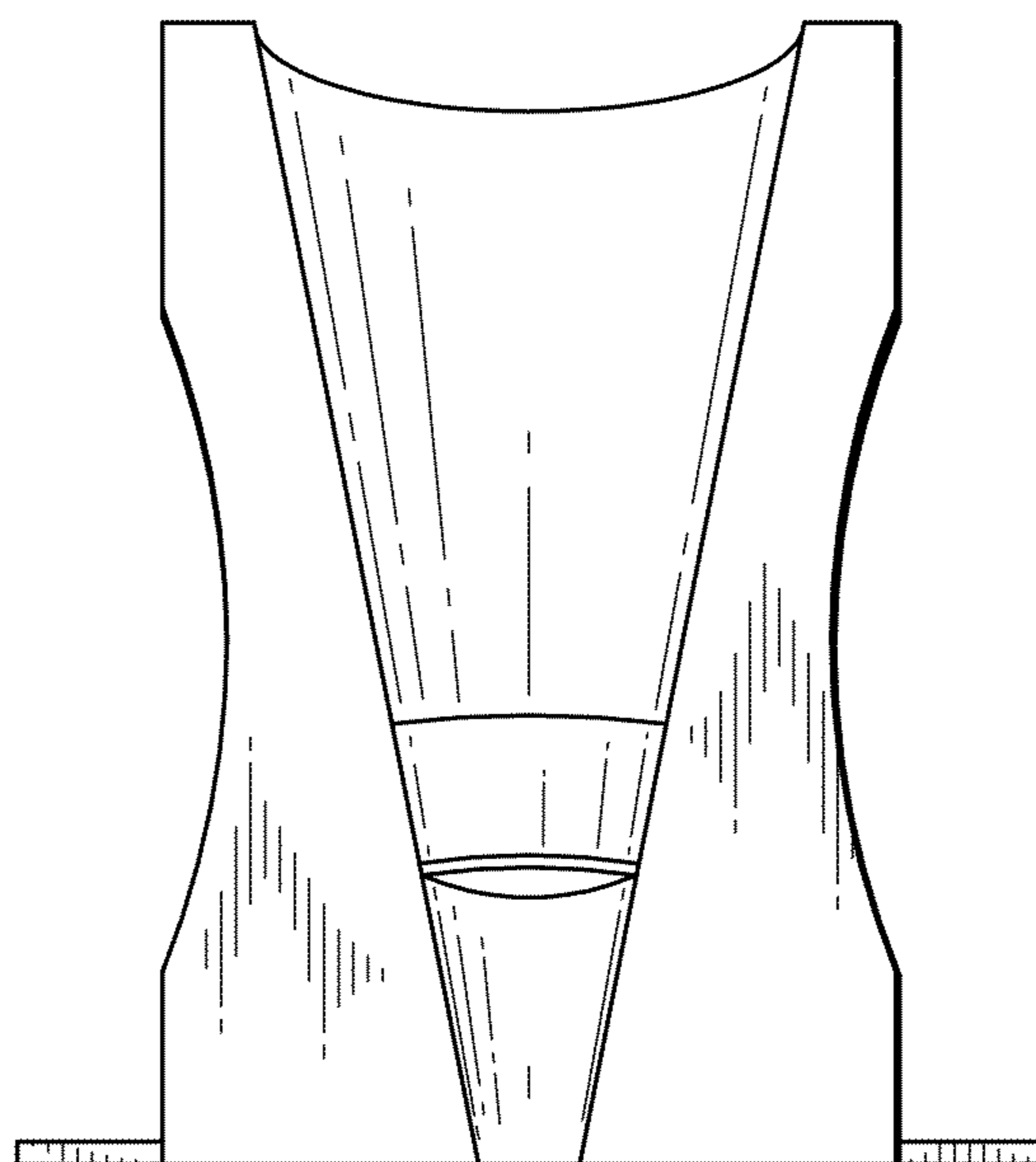


FIG. 3

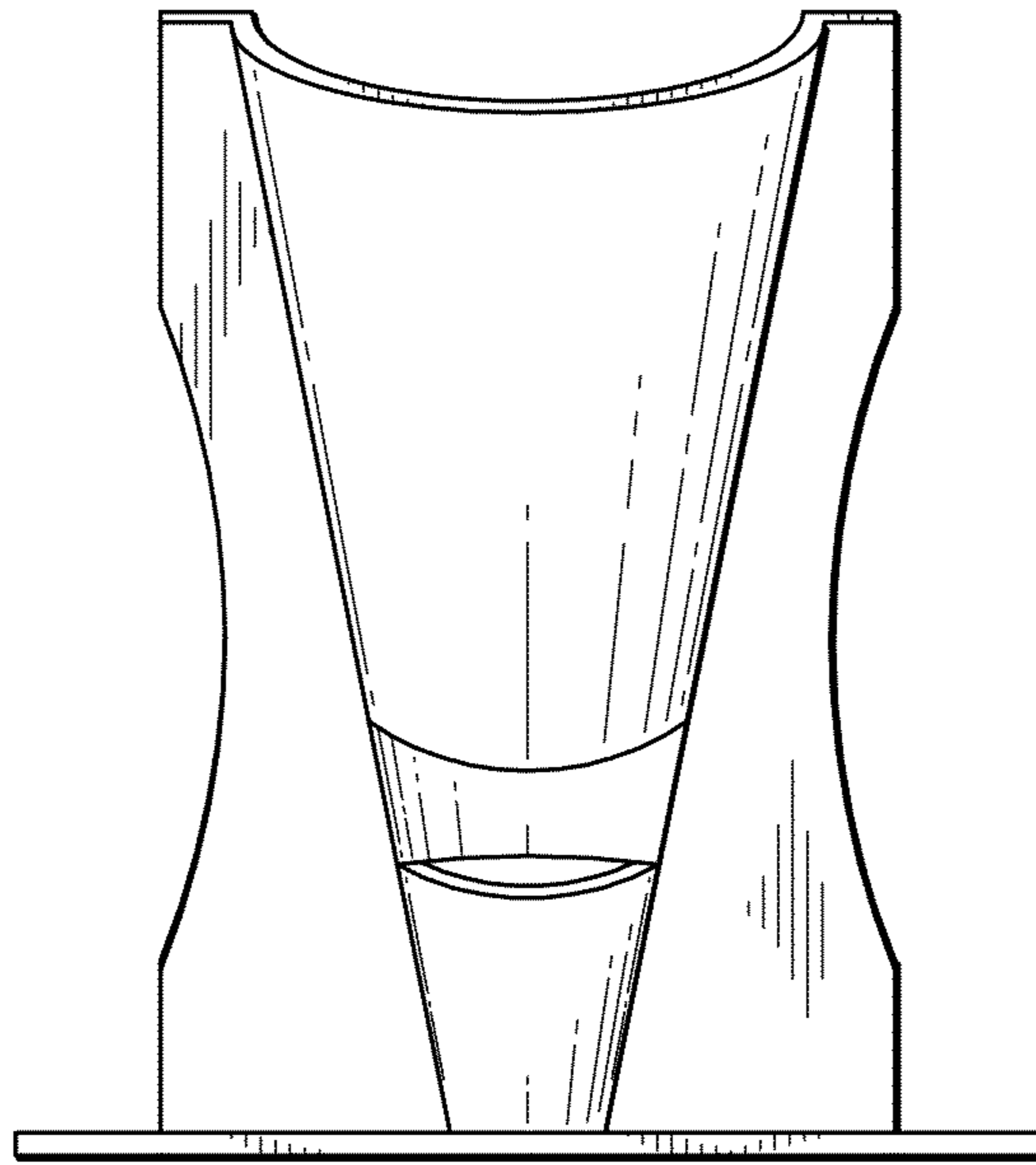


FIG. 4

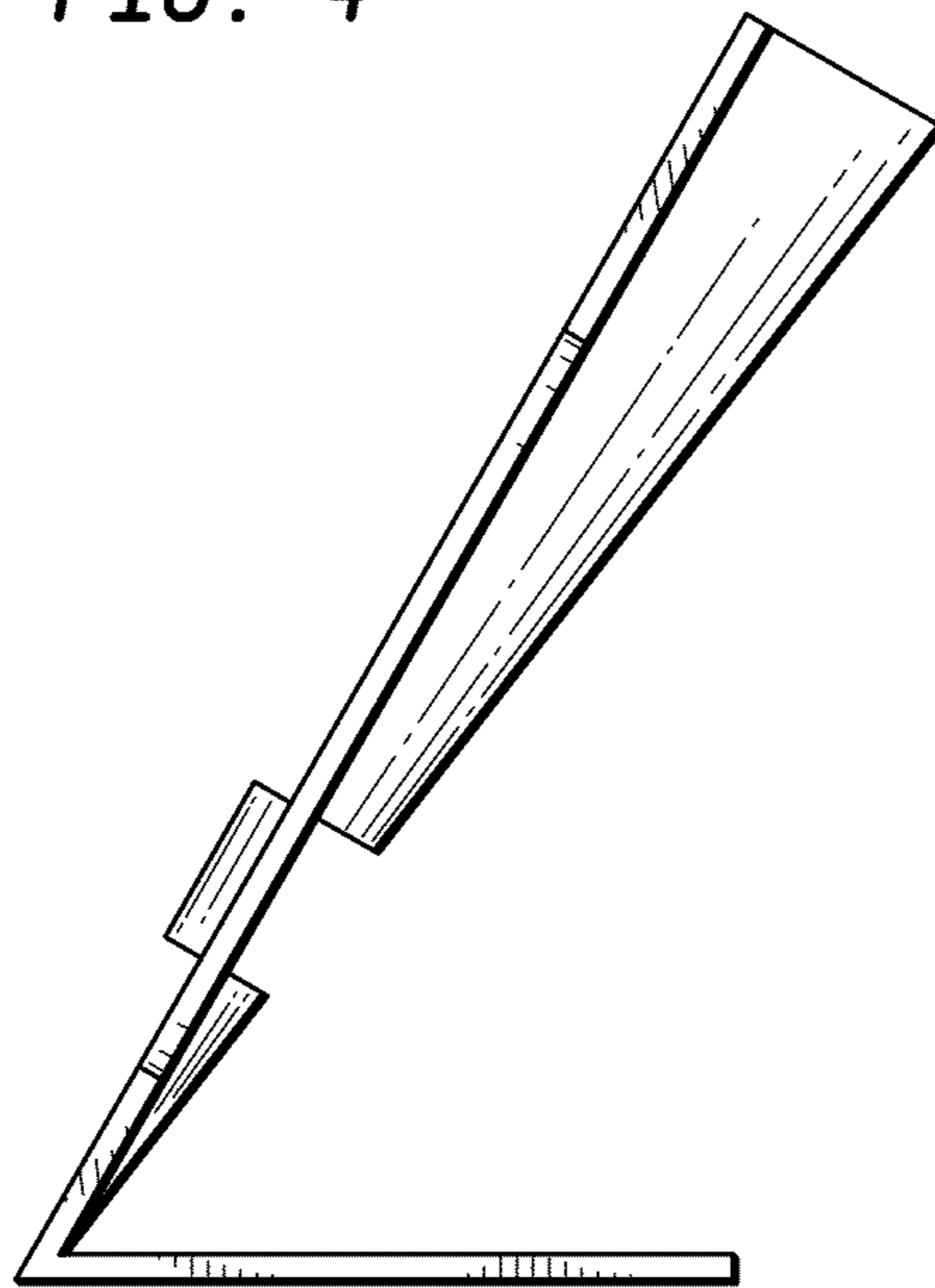


FIG. 5

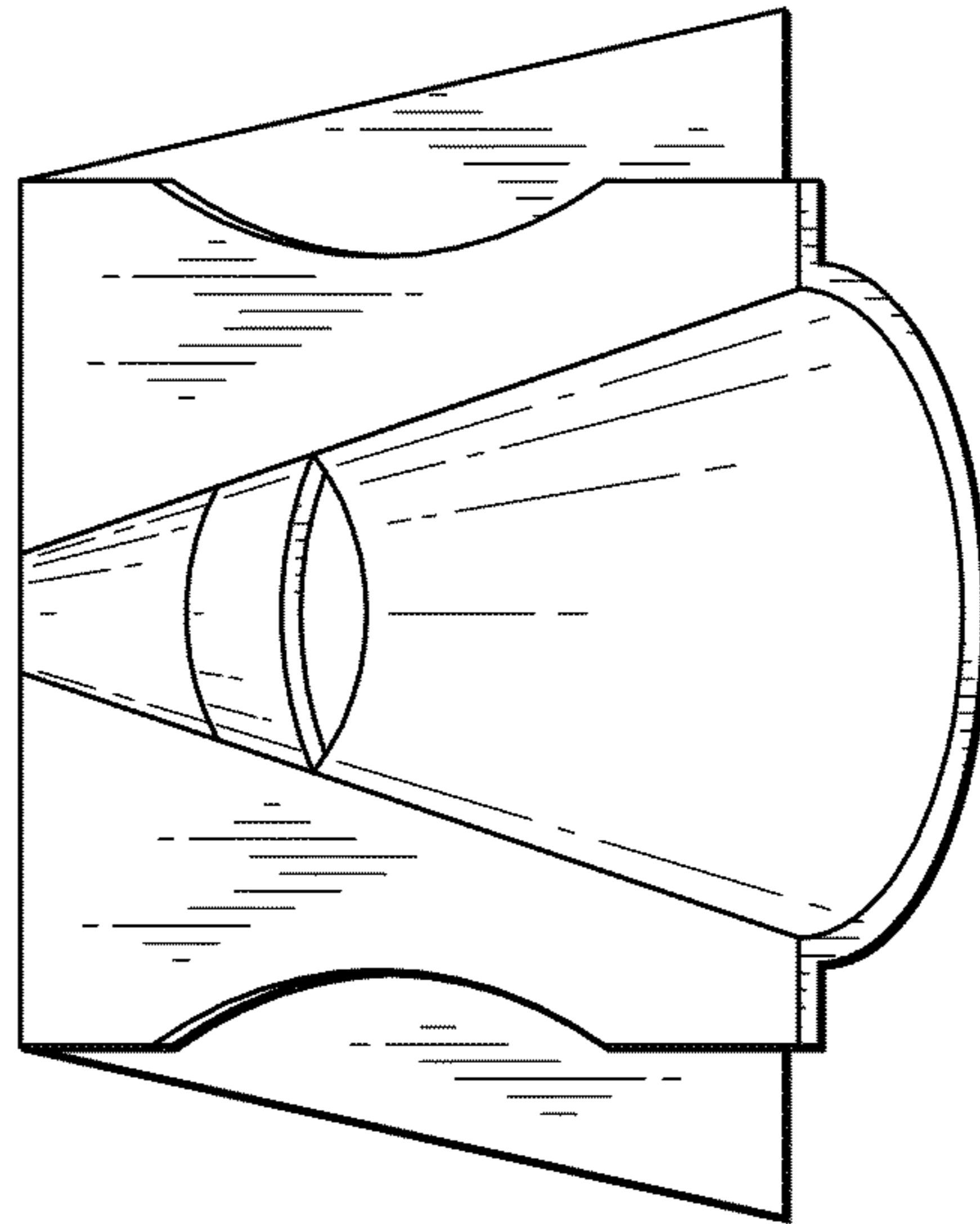


FIG. 6

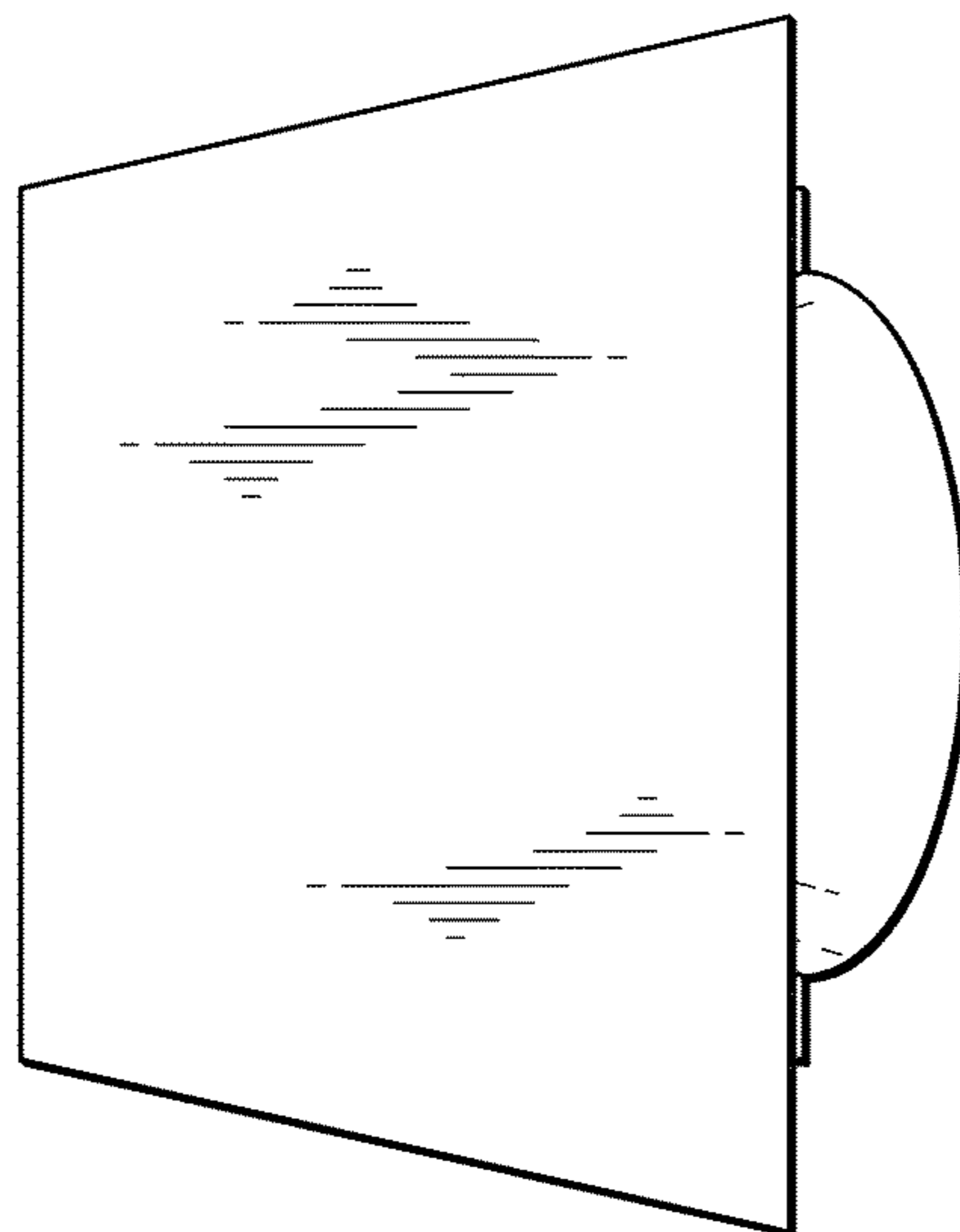


FIG. 7

