



US00D695984S

(12) **United States Design Patent**
Rouillard et al.

(10) **Patent No.:** **US D695,984 S**
(45) **Date of Patent:** **** Dec. 17, 2013**

(54) **CLEANING SYSTEM TROLLEY**
(71) Applicant: **Diversey, Inc.**, Sturtevant, WI (US)
(72) Inventors: **Carol A. Rouillard**, Loveland, OH (US);
Andrew M. Bober, Racine, WI (US);
Alfred Adolf Widmer, Wil (CH);
Andrew R. J. Russell, Bourn (GB);
Dave Clark, Welwyn Garden (GB);
Roderick J. McBrien, Leamington Spa (GB)

(73) Assignee: **Diversey, Inc.**, Sturtevant, WI (US)

(**) Term: **14 Years**

(21) Appl. No.: **29/444,820**

(22) Filed: **Feb. 4, 2013**

Related U.S. Application Data

(60) Continuation of application No. 29/420,179, filed on May 4, 2012, now Pat. No. Des. 678,645, which is a continuation of application No. 29/399,969, filed on Aug. 22, 2011, now Pat. No. Des. 659,340, which is a continuation of application No. 29/382,729, filed on Jan. 6, 2011, now Pat. No. Des. 643,990, which is a division of application No. 29/350,837, filed on Nov. 24, 2009, now Pat. No. Des. 632,043.

(51) **LOC (9) Cl.** **12-02**

(52) **U.S. Cl.**
USPC **D34/27**

(58) **Field of Classification Search**
USPC D34/27, 12-26; 280/47.34, 47.35, 79.2,
280/79.3, 47.26, 79.5, 47.19; D8/499
See application file for complete search history.

(56) **References Cited**

U.S. PATENT DOCUMENTS

D268,925 S * 5/1983 Williams D12/180
5,536,084 A * 7/1996 Curtis et al. 700/240

5,641,171 A * 6/1997 Posey et al. 280/47.34
D482,172 S * 11/2003 Johnson et al. D34/27
D485,037 S * 1/2004 Presnell et al. D34/21
D536,502 S * 2/2007 Weigand et al. D34/27
D610,324 S * 2/2010 Rossini et al. D34/27
D639,522 S * 6/2011 Aragon D34/27
D643,990 S * 8/2011 Rouillard et al. D34/27
D678,645 S * 3/2013 Rouillard et al. D34/27
8,434,780 B2 * 5/2013 Li 280/639
2009/0315285 A1 * 12/2009 Glass 280/47.17
2010/0090428 A1 * 4/2010 Meers et al. 280/47.26

* cited by examiner

Primary Examiner — Cynthia Ramirez

(74) *Attorney, Agent, or Firm* — Michael Best & Friedrich LLP

(57) **CLAIM**

The ornamental design for a cleaning system trolley, as shown and described.

DESCRIPTION

FIG. 1 is a perspective view of a cleaning system trolley constructed in accordance with an embodiment of the present invention;

FIG. 2 is a left side view of the cleaning system trolley shown in FIG. 1;

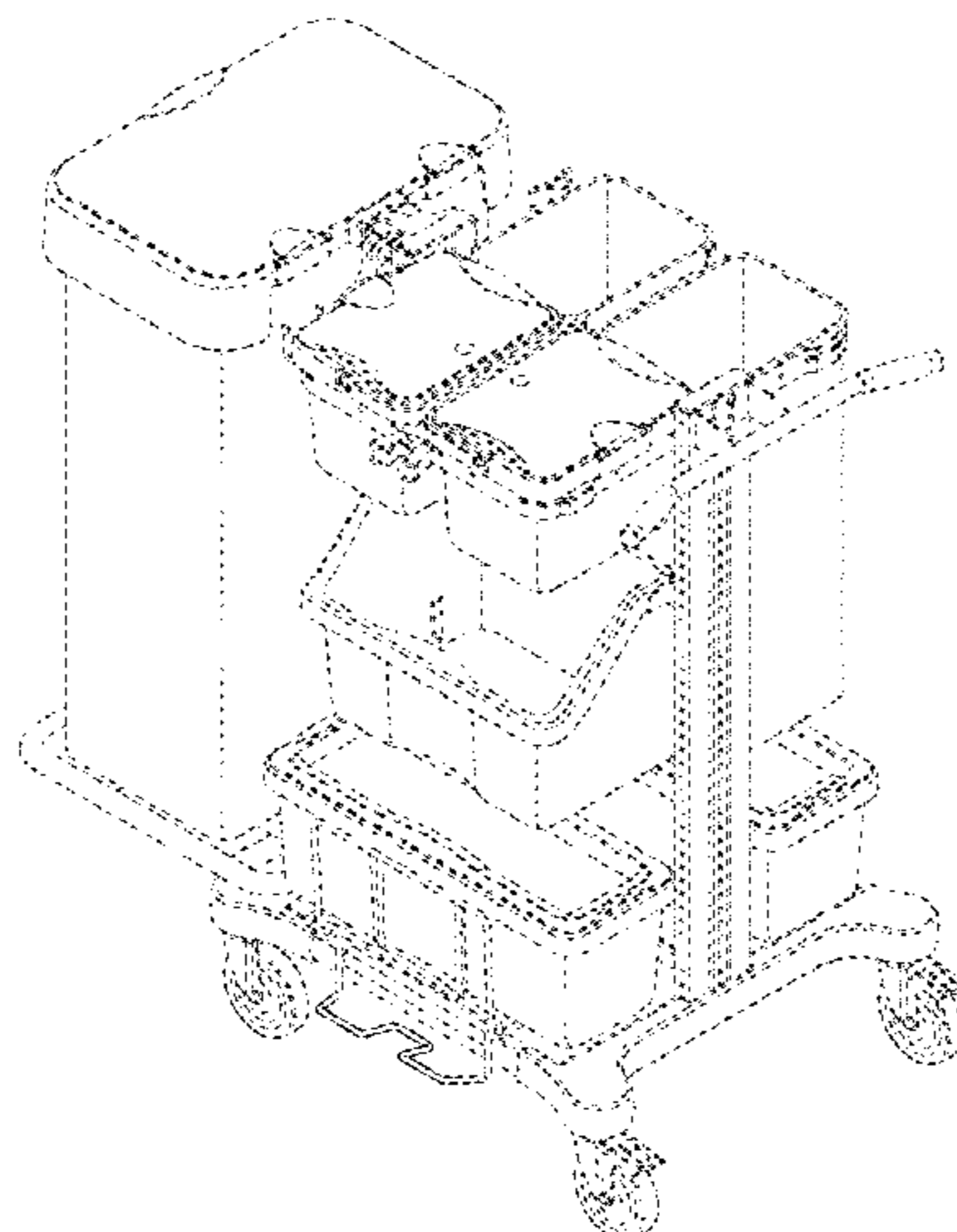
FIG. 3 is a front view of the cleaning system trolley shown in FIGS. 1 and 2;

FIG. 4 is a rear view of the cleaning system trolley shown in FIGS. 1-3; and,

FIG. 5 is a bottom view of the cleaning system trolley shown in FIGS. 1-4.

The elements shown in broken lines are included for the purpose of illustrating environment and form no part of the claimed design. The boundary lines represented by alternating dashes and dots and showing the boundary between the claimed design and the unclaimed portions of the design are for illustrative purposes only and form no part of the claimed design.

1 Claim, 5 Drawing Sheets



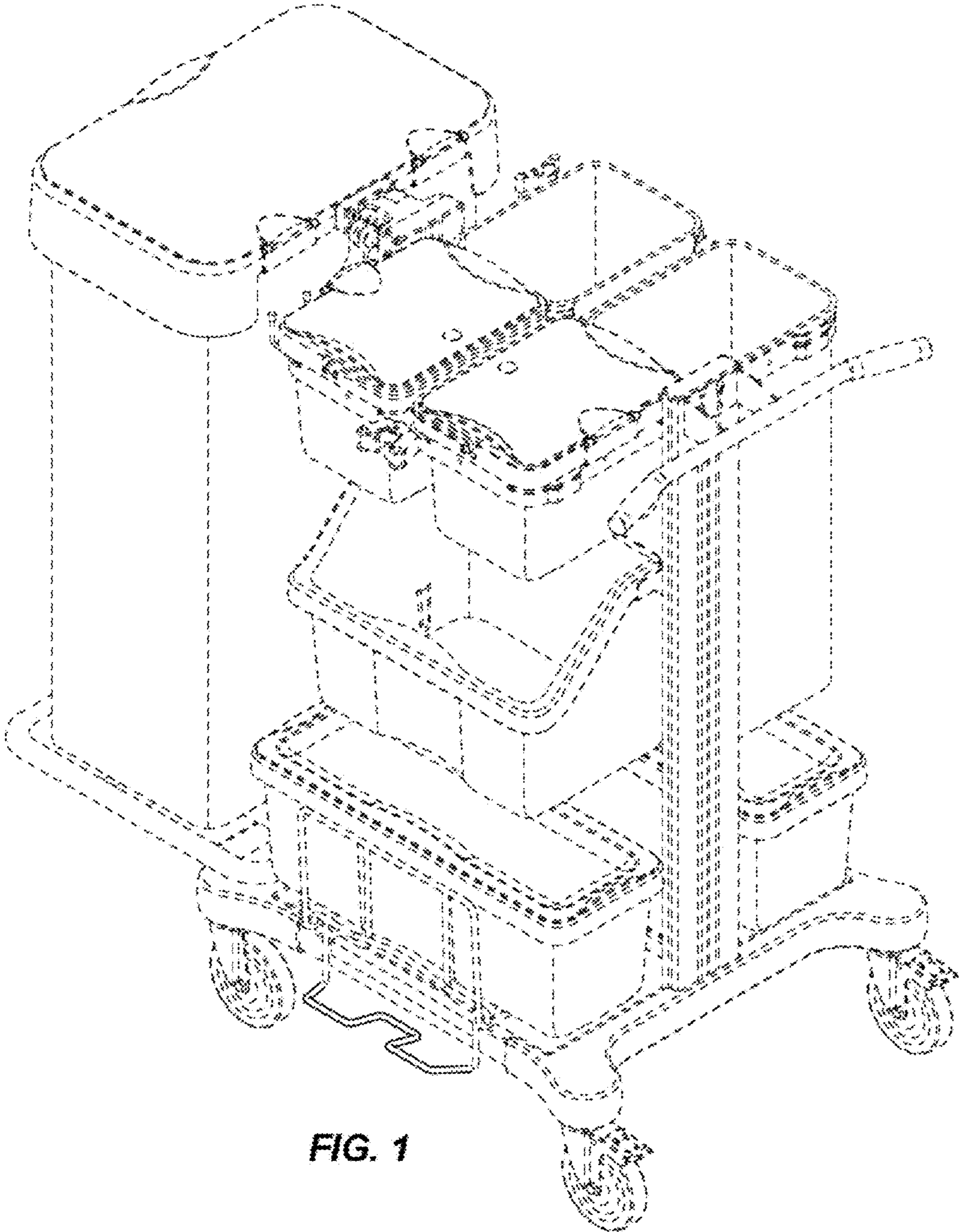


FIG. 1

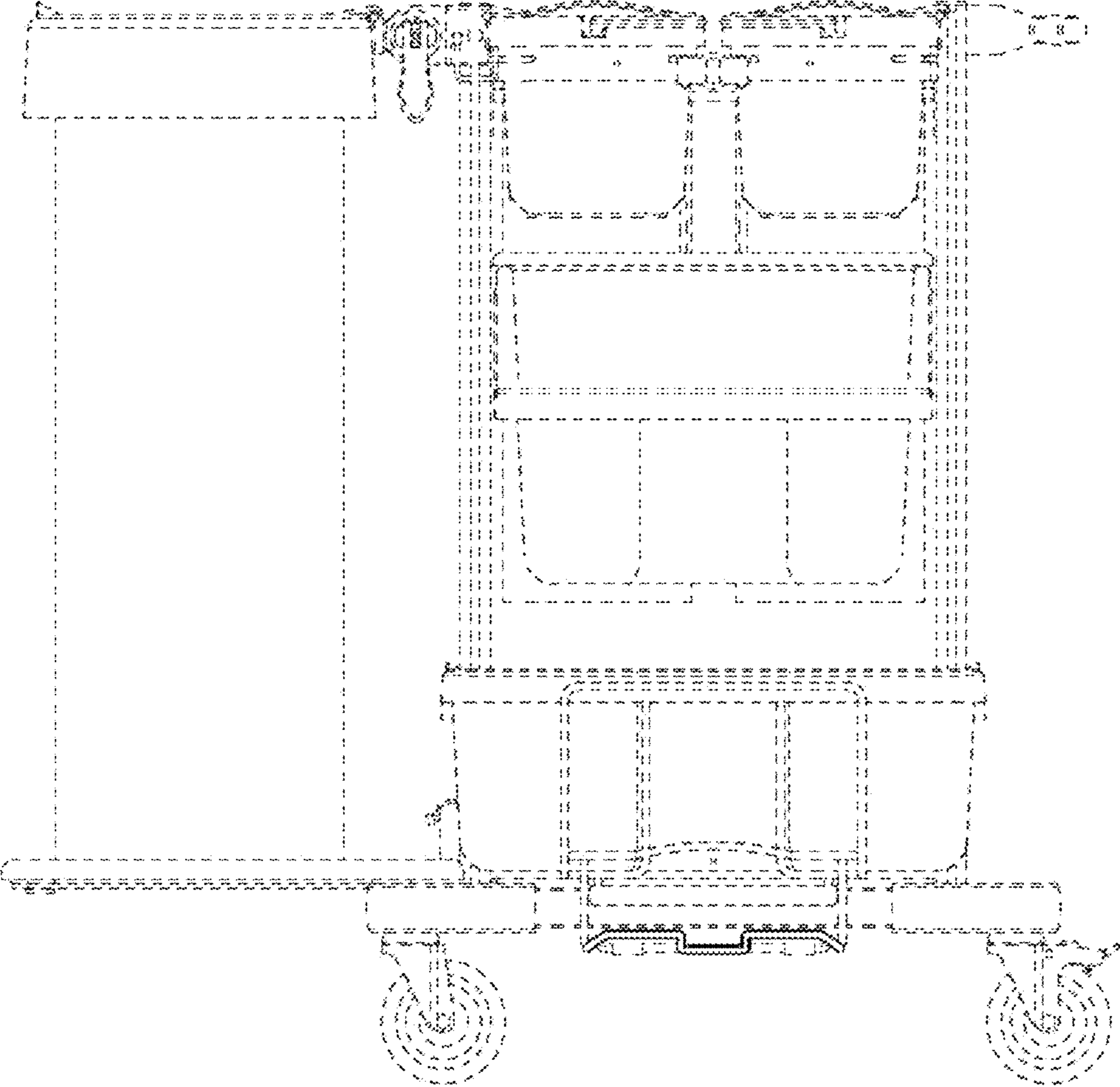


FIG. 2

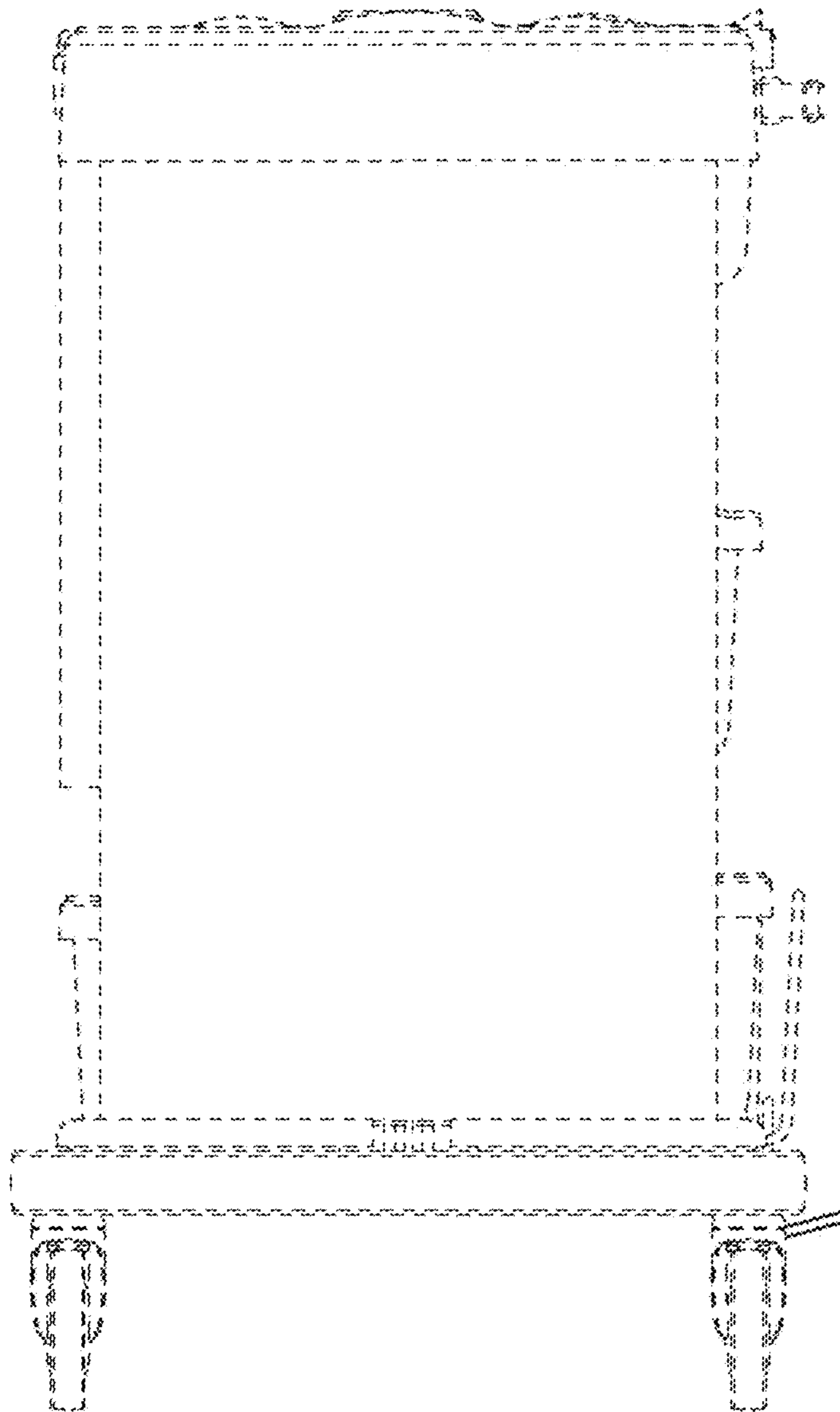


FIG. 3

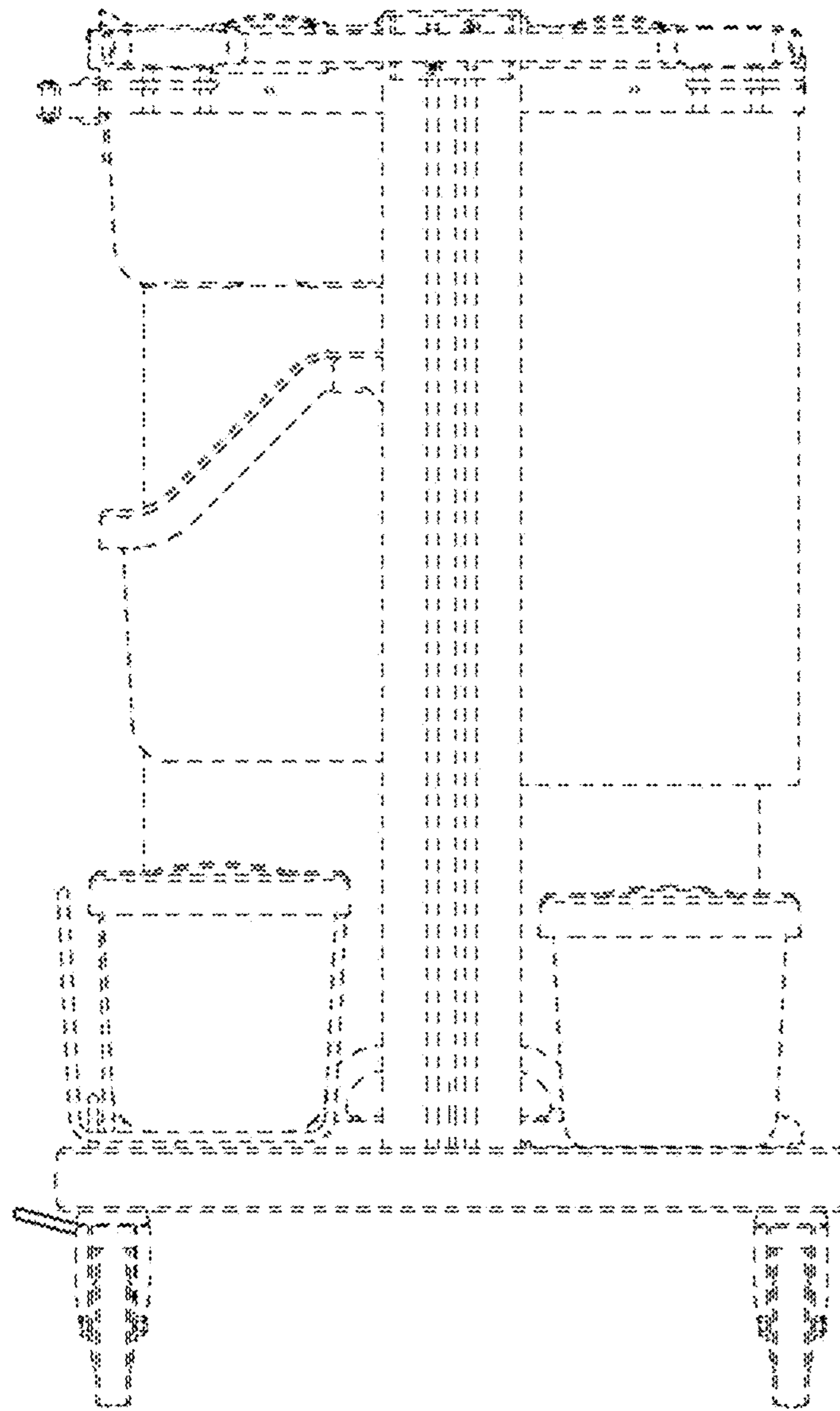


FIG. 4

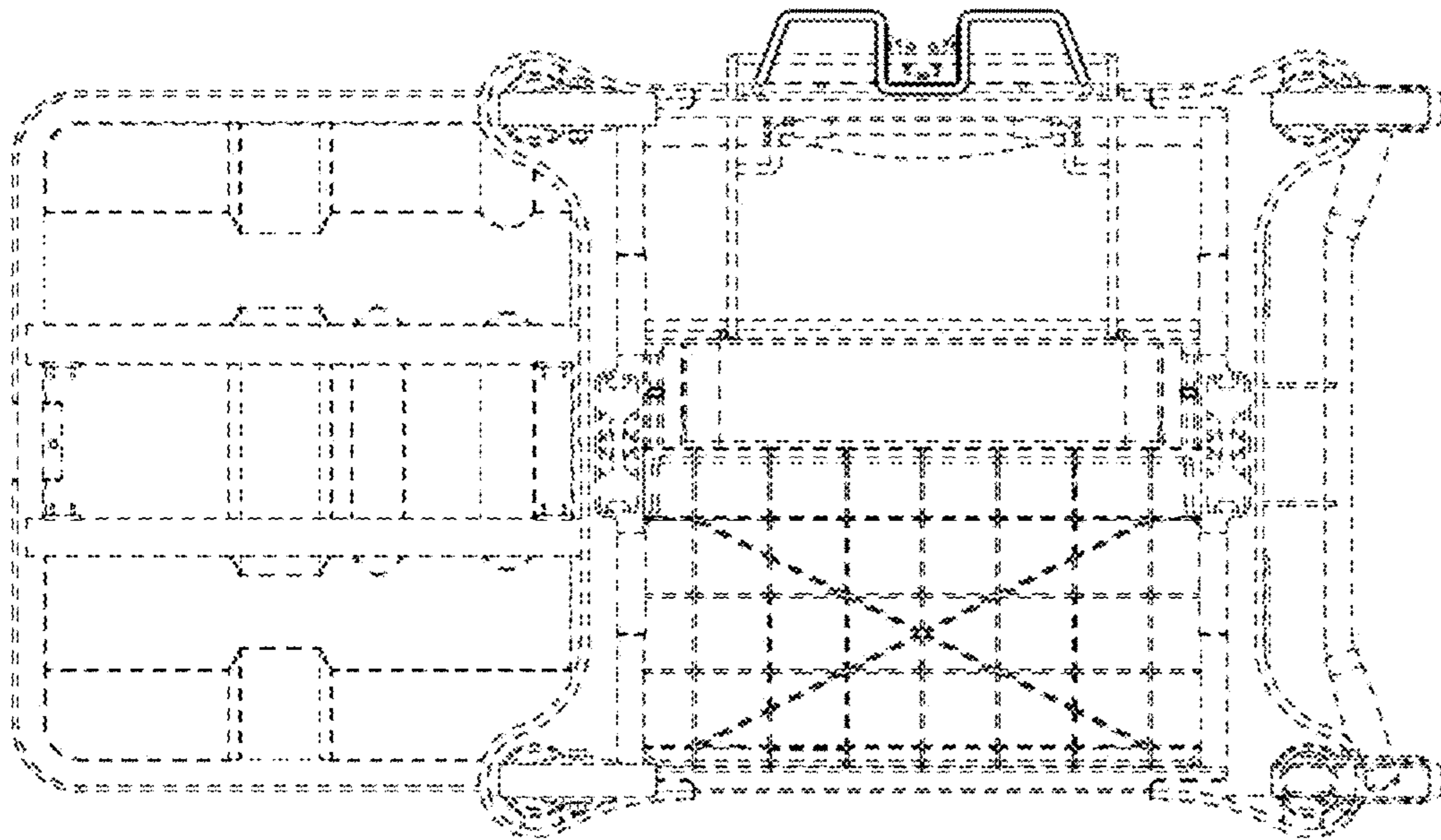


FIG. 5