

US00D695983S

(12) **United States Design Patent**  
**Jönsson**

(10) **Patent No.:** **US D695,983 S**  
(45) **Date of Patent:** **\*\* Dec. 17, 2013**

(54) **DISH RACK**

(71) Applicant: **Granuldisk AB**, Malmö (SE)

(72) Inventor: **Mats Jönsson**, Skurup (SE)

(73) Assignee: **Granuldisk AB**, Malmö (SE)

(\*\*) Term: **14 Years**

(21) Appl. No.: **29/459,492**

(22) Filed: **Jul. 1, 2013**

(30) **Foreign Application Priority Data**

Jan. 28, 2013 (EM) ..... 002173781-0001

(51) **LOC (9) Cl.** ..... **07-05**

(52) **U.S. Cl.**  
USPC ..... **D32/55**

(58) **Field of Classification Search**  
USPC ..... D32/55-56, 58; 4/637, 656;  
211/41.2-41.4, 41.8-41.9, 181.1,  
211/126.8-126.9, 85.25, 86.01, 88.01;  
220/485, 487-488, 494, 572; D6/462,  
D6/683; D7/667; D23/207  
See application file for complete search history.

(56) **References Cited**

**U.S. PATENT DOCUMENTS**

D363,578 S \* 10/1995 Brightbill et al. .... D32/55  
D518,936 S \* 4/2006 Yang et al. .... D32/55  
D582,697 S \* 12/2008 Goodman et al. .... D6/462  
D592,016 S \* 5/2009 Goodman et al. .... D7/624.1

D595,914 S \* 7/2009 Housley ..... D32/55  
7,766,175 B2 \* 8/2010 Jadhav et al. .... 211/41.9  
D630,396 S \* 1/2011 Yang et al. .... D32/55  
D639,613 S \* 6/2011 Goodman et al. .... D7/632  
8,118,179 B2 \* 2/2012 Smith ..... 211/41.5  
D667,655 S \* 9/2012 Goodman et al. .... D6/475  
D677,077 S \* 3/2013 Selby ..... D6/678.4  
D681,975 S \* 5/2013 Snider ..... D6/678.4  
D687,610 S \* 8/2013 Jonsson et al. .... D32/55  
D687,649 S \* 8/2013 Kozak ..... D6/705  
2008/0083678 A1 \* 4/2008 Graute ..... 211/41.8

\* cited by examiner

*Primary Examiner* — Austin Murphy

(74) *Attorney, Agent, or Firm* — Thomas|Horstemeyer, LLP

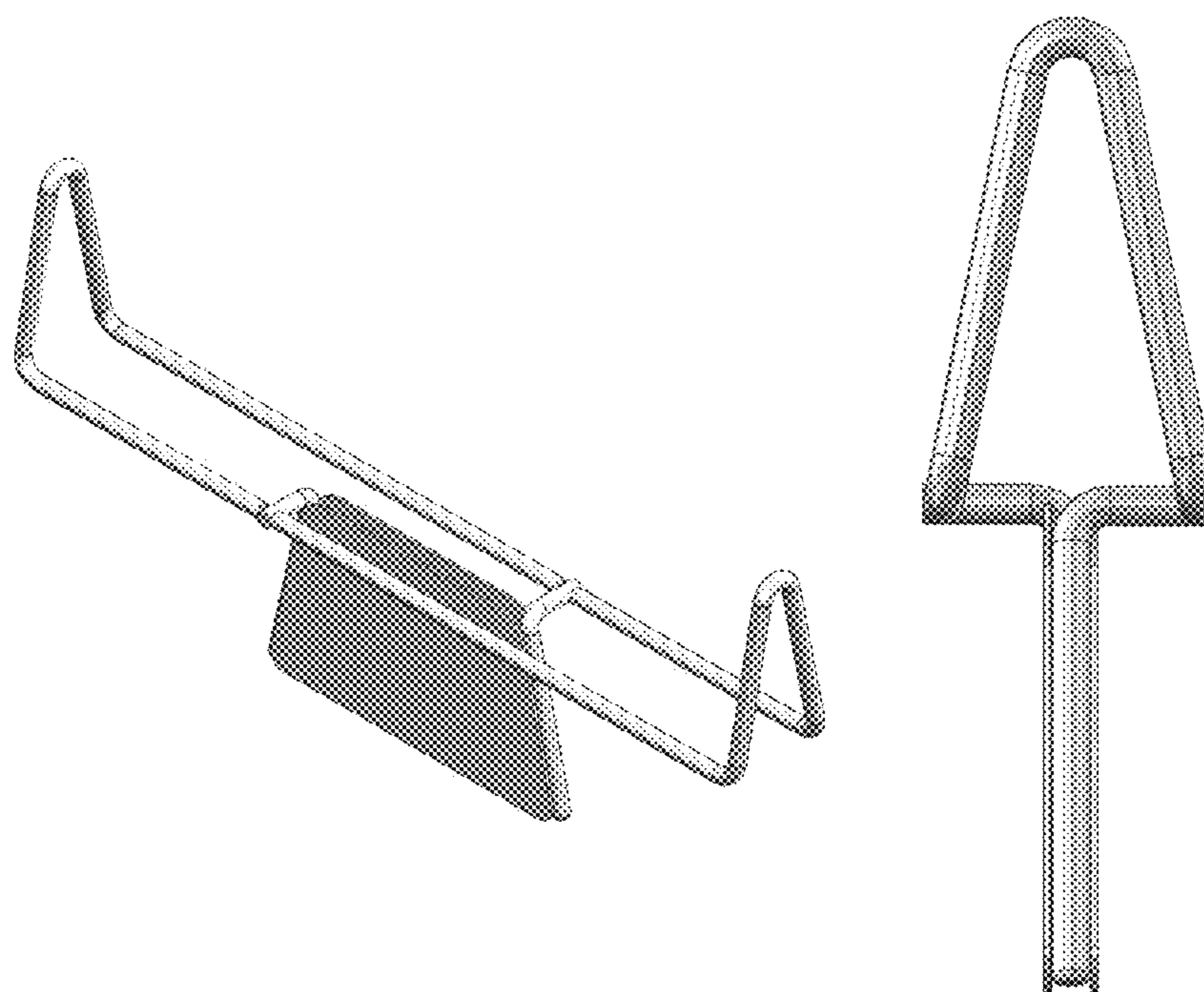
(57) **CLAIM**

The ornamental design for a dish rack, as shown and described.

**DESCRIPTION**

FIG. 1 is a top perspective view of my new dish rack;  
FIG. 2 is a side elevational view of my new dish rack of FIG. 1;  
FIG. 3 is a side elevational view of my new dish rack, opposite that of FIG. 2;  
FIG. 4 is another side elevational view of my dish rack of FIG. 1;  
FIG. 5 is a side elevational view of my dish rack, opposite that of FIG. 4;  
FIG. 6 is a top plan view of my dish rack of FIG. 1; and,  
FIG. 7 is a bottom plan view of my dish rack of FIG. 1.

**1 Claim, 6 Drawing Sheets**



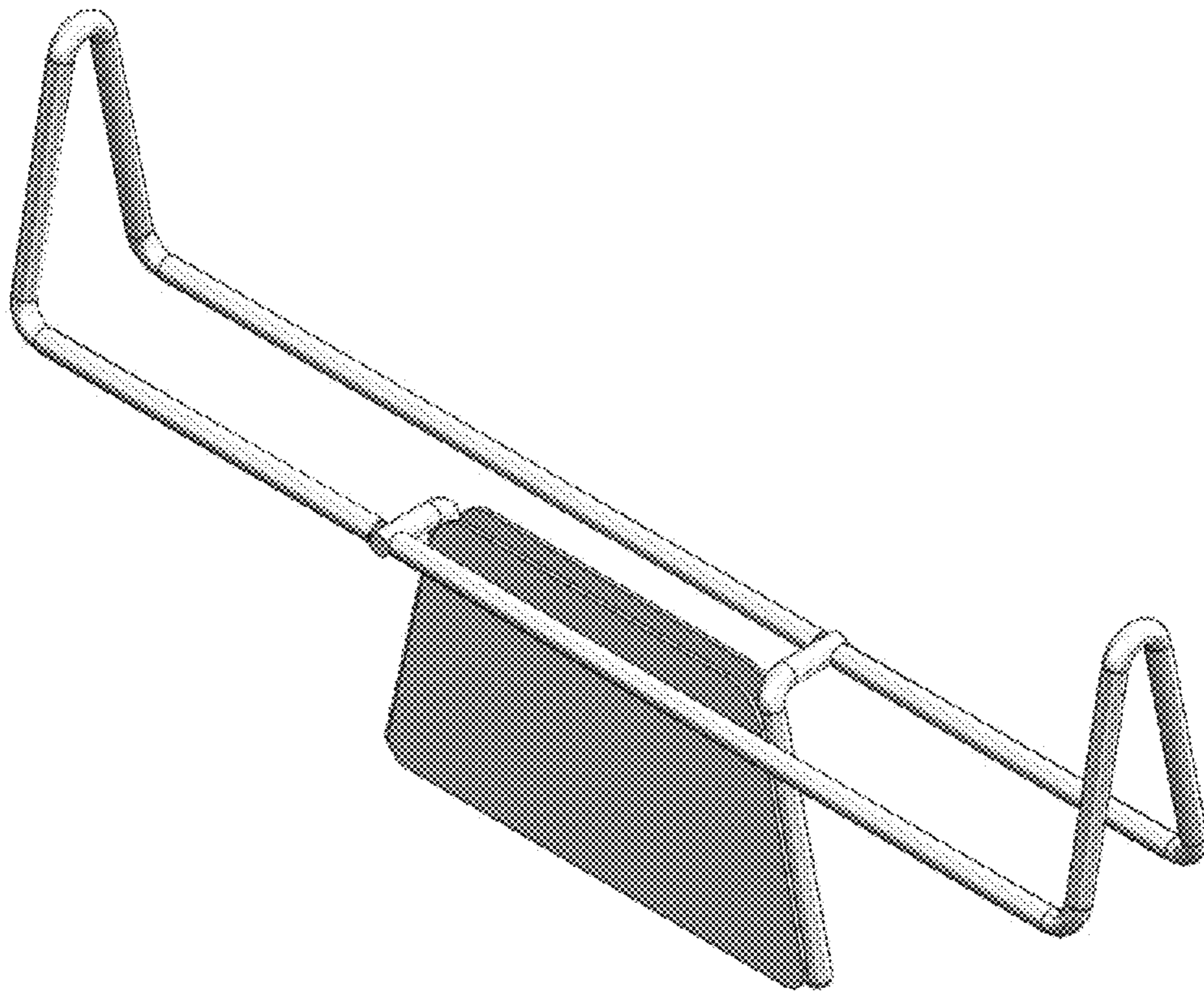


FIG. 1

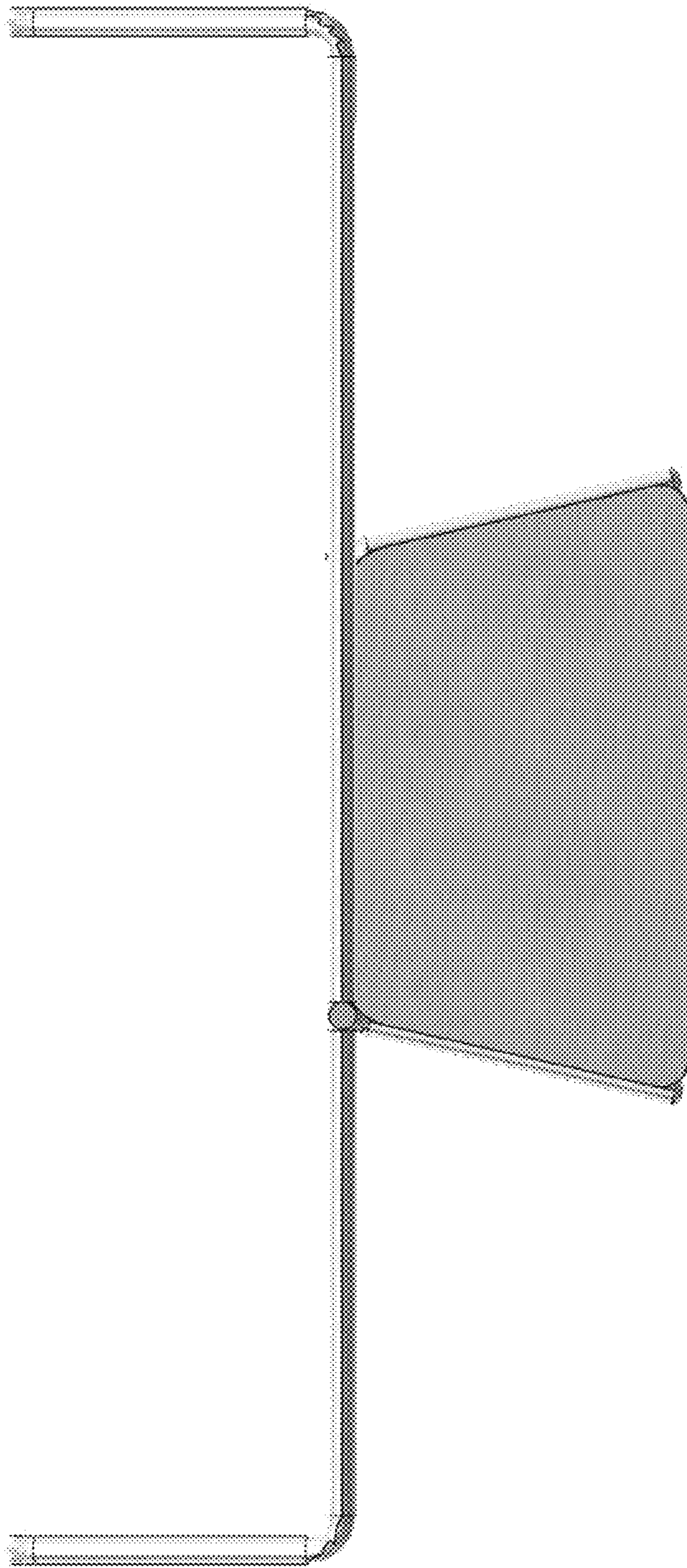


FIG. 2



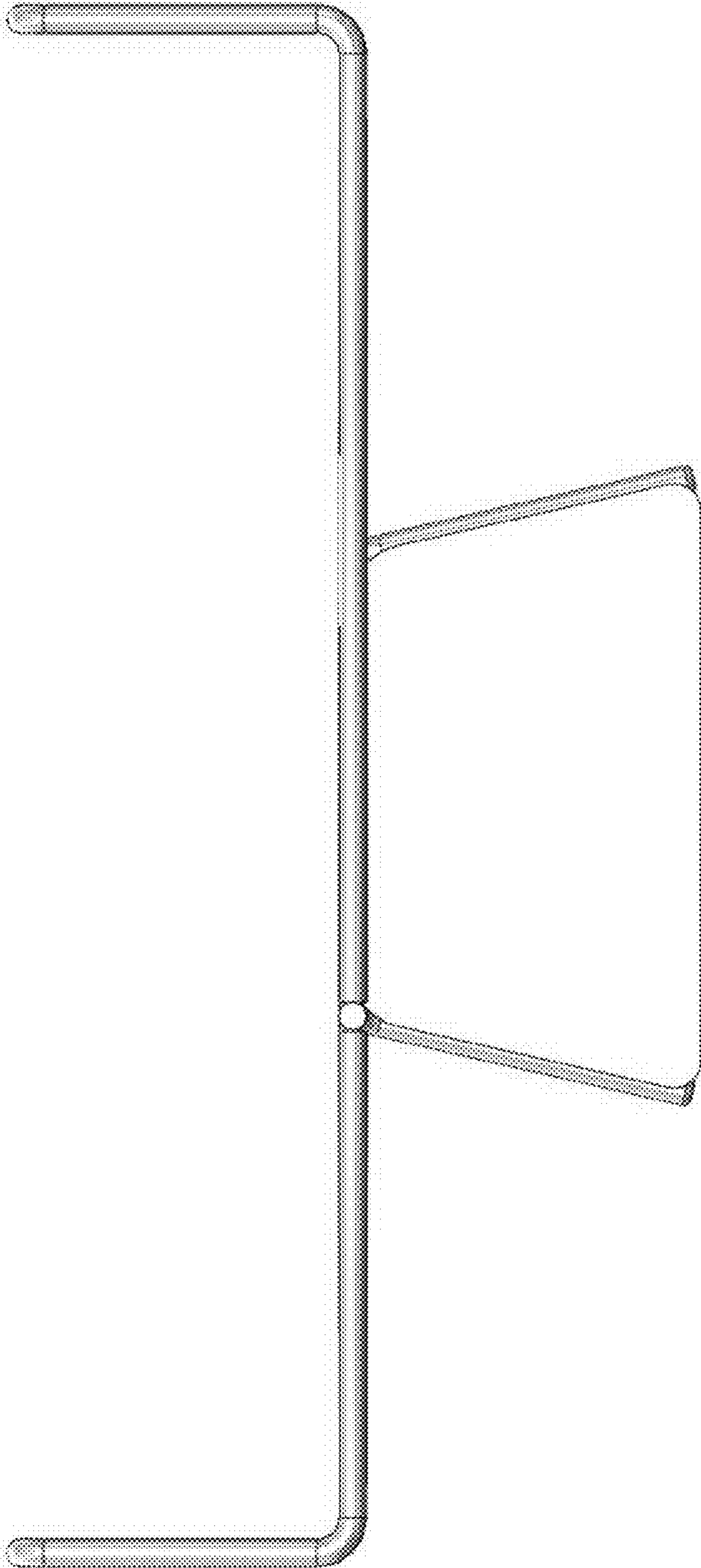


FIG. 3

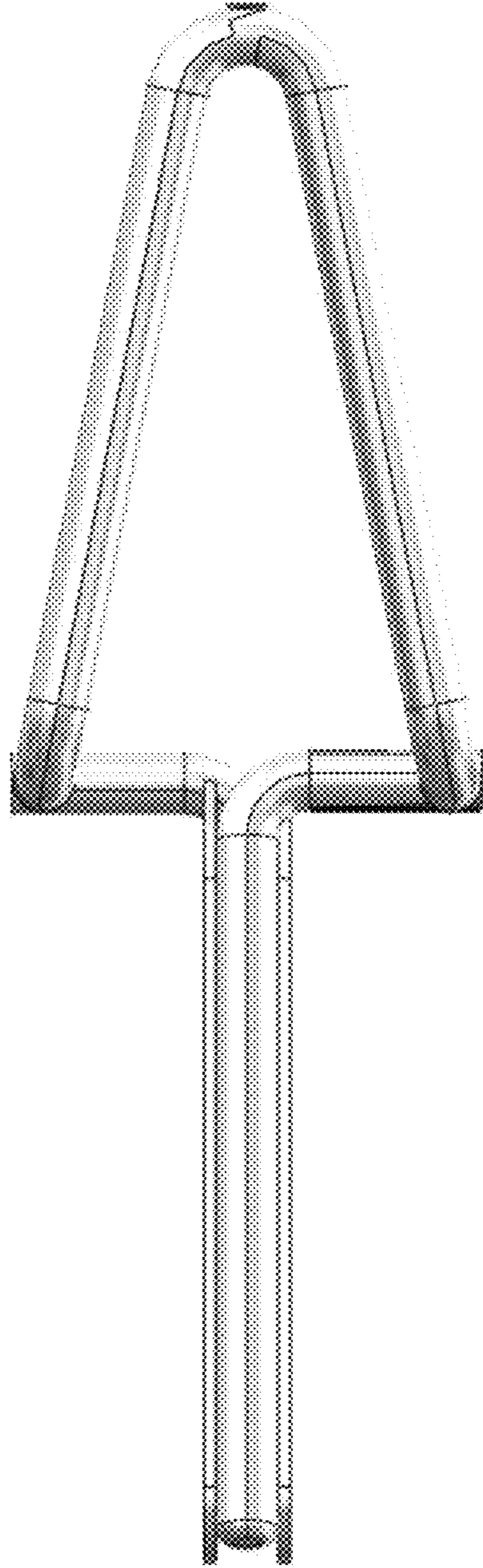


FIG. 4

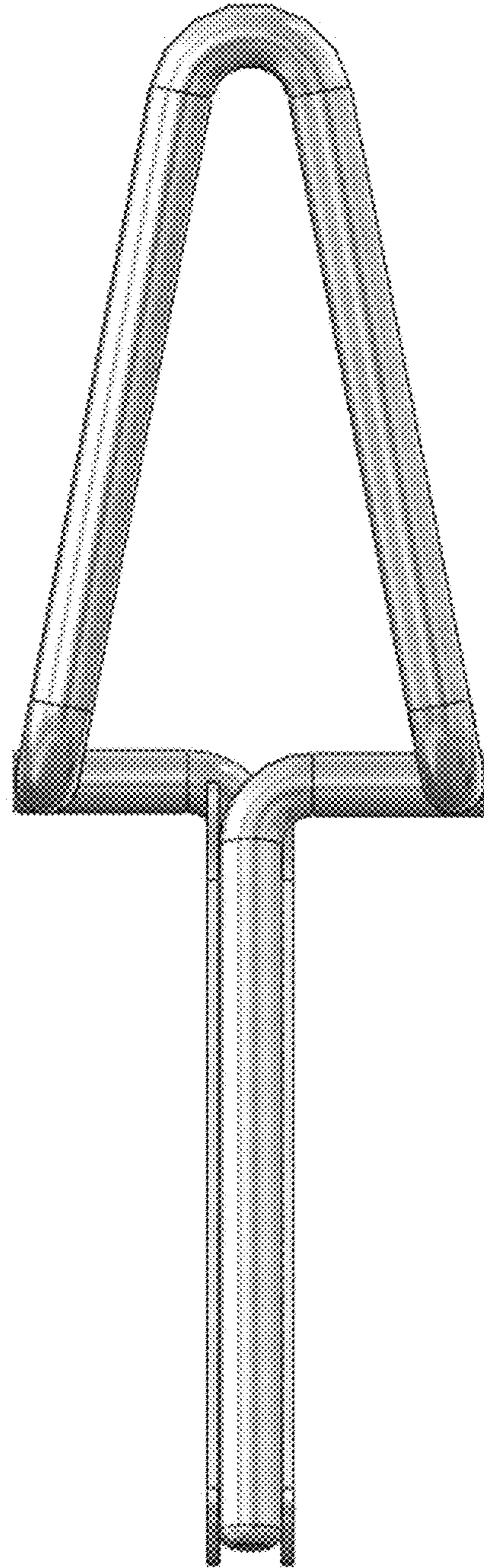


FIG. 5



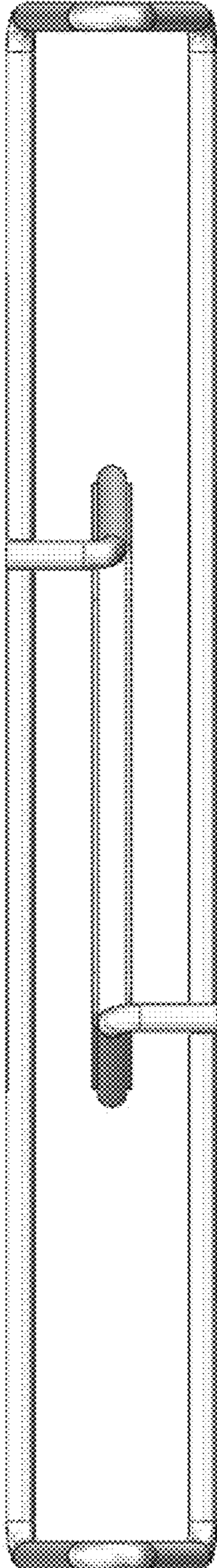


FIG. 6

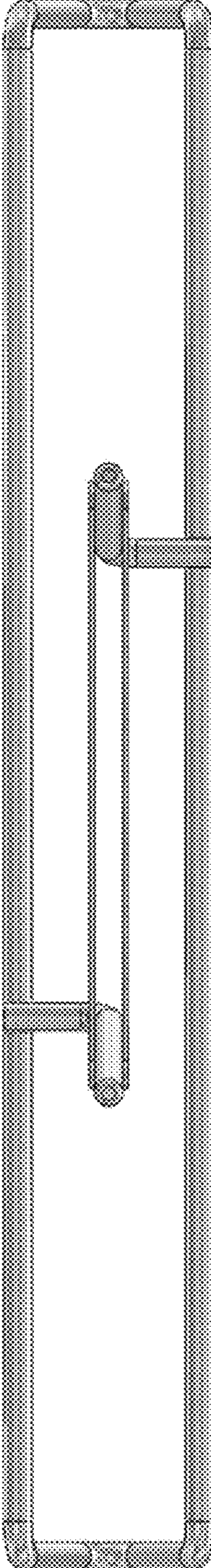


FIG. 7