



US00D695982S

(12) **United States Design Patent**
Jönsson

(10) **Patent No.:** **US D695,982 S**

(45) **Date of Patent:** **** Dec. 17, 2013**

(54) **DISH RACK**

(71) Applicant: **Granuldisk AB**, Malmö (SE)

(72) Inventor: **Mats Jönsson**, Skurup (SE)

(73) Assignee: **Granuldisk AB**, Malmö (SE)

(**) Term: **14 Years**

(21) Appl. No.: **29/459,491**

(22) Filed: **Jul. 1, 2013**

(30) **Foreign Application Priority Data**

Jan. 28, 2013 (EM) 002173765-0001

(51) **LOC (9) Cl.** **07-05**

(52) **U.S. Cl.**
USPC **D32/55**

(58) **Field of Classification Search**
USPC D32/55-56, 58; 4/637, 656;
211/41.2-41.4, 41.8-41.9, 181.1,
211/126.8-126.9, 85.25, 86.01, 88.01;
220/485, 487-488, 494, 572; D6/462,
D6/683; D7/667; D23/207
See application file for complete search history.

(56) **References Cited**

U.S. PATENT DOCUMENTS

D322,343 S * 12/1991 Percy D32/58
D363,578 S * 10/1995 Brightbill et al. D32/55

6,341,704 B1 * 1/2002 Michel, Jr. 211/181.1
D518,936 S * 4/2006 Yang et al. D32/55
D595,914 S * 7/2009 Housley D32/55
7,766,175 B2 * 8/2010 Jadhav et al. 211/41.9
D634,909 S * 3/2011 Guthrie D32/55
D650,542 S * 12/2011 Kontorovich et al. D32/58
D667,655 S * 9/2012 Goodman et al. D6/475
D677,077 S * 3/2013 Selby D6/678.4
D681,368 S * 5/2013 Wygle D6/675.1
D687,610 S * 8/2013 Jonsson et al. D32/55

* cited by examiner

Primary Examiner — Austin Murphy

(74) *Attorney, Agent, or Firm* — Thomas|Horstemeyer, LLP

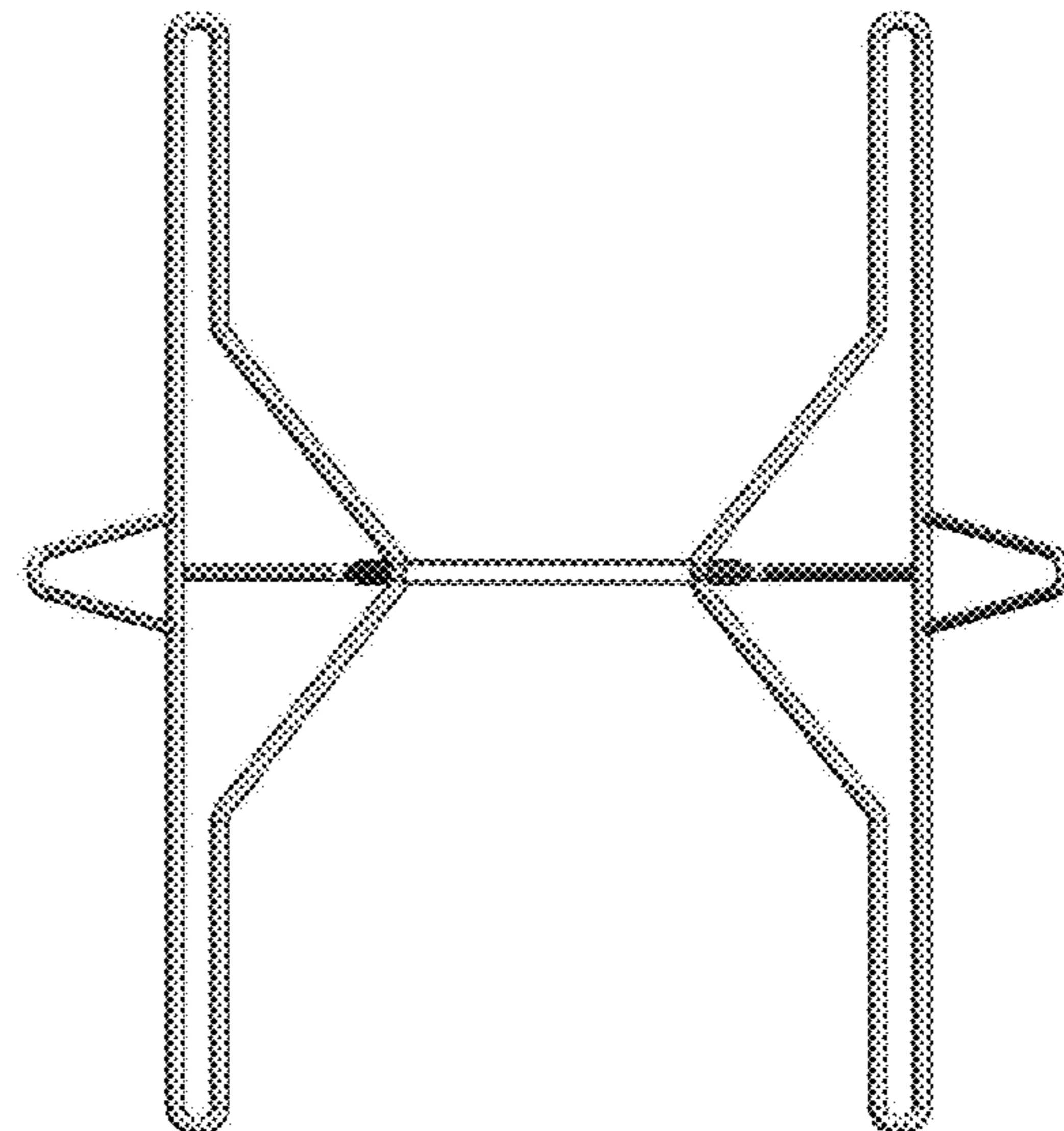
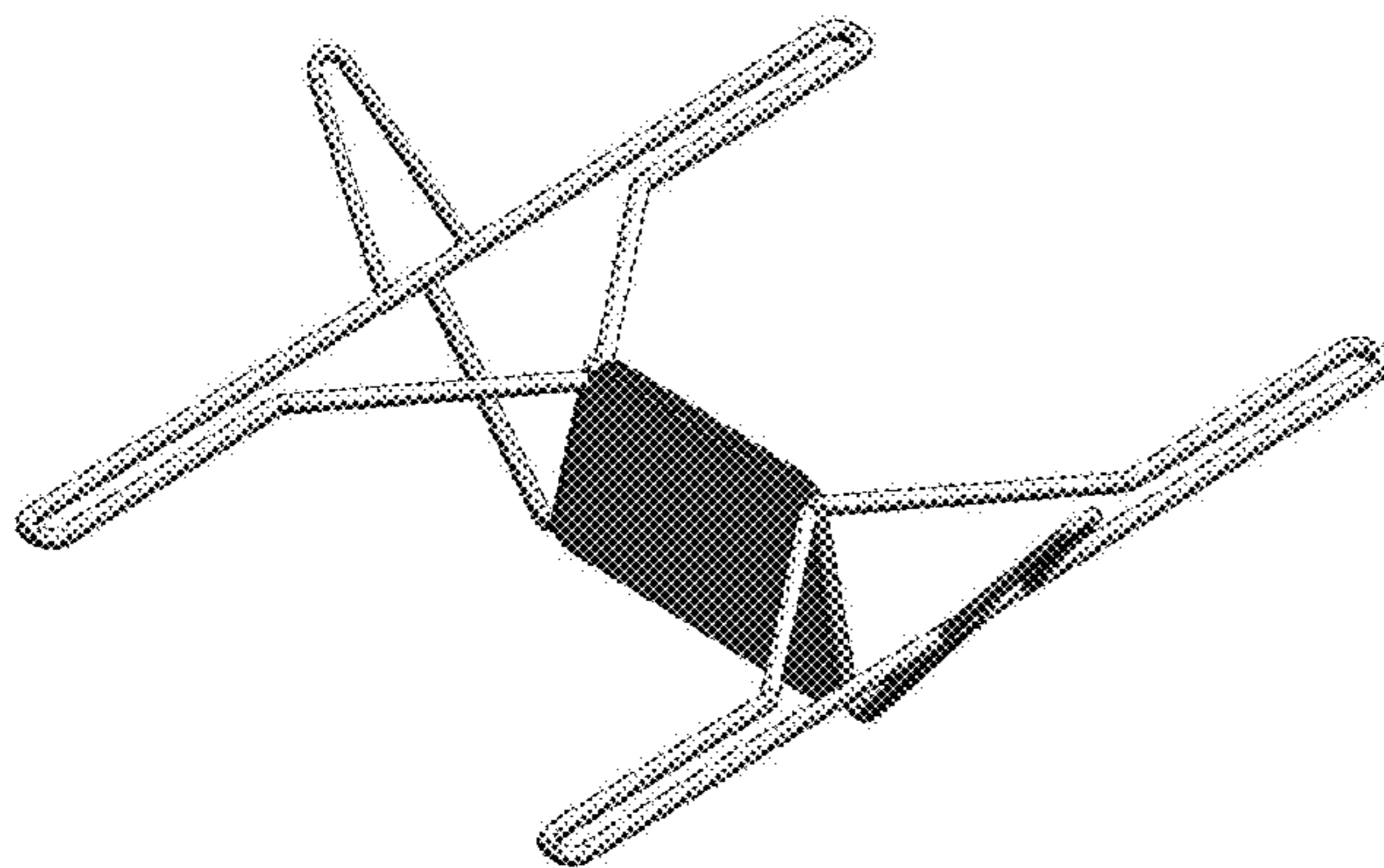
(57) **CLAIM**

The ornamental design for a dish rack, as shown and described.

DESCRIPTION

FIG. 1 is a top perspective view of my new dish rack;
FIG. 2 is a side elevational view of my new dish rack of FIG. 1;
FIG. 3 is a side elevational view of my new dish rack, opposite that of FIG. 2;
FIG. 4 is another side elevational view of my dish rack of FIG. 1;
FIG. 5 is a side elevational view of my dish rack, opposite that of FIG. 4;
FIG. 6 is a top plan view of my dish rack of FIG. 1; and,
FIG. 7 is a bottom plan view of my dish rack of FIG. 1.

1 Claim, 7 Drawing Sheets



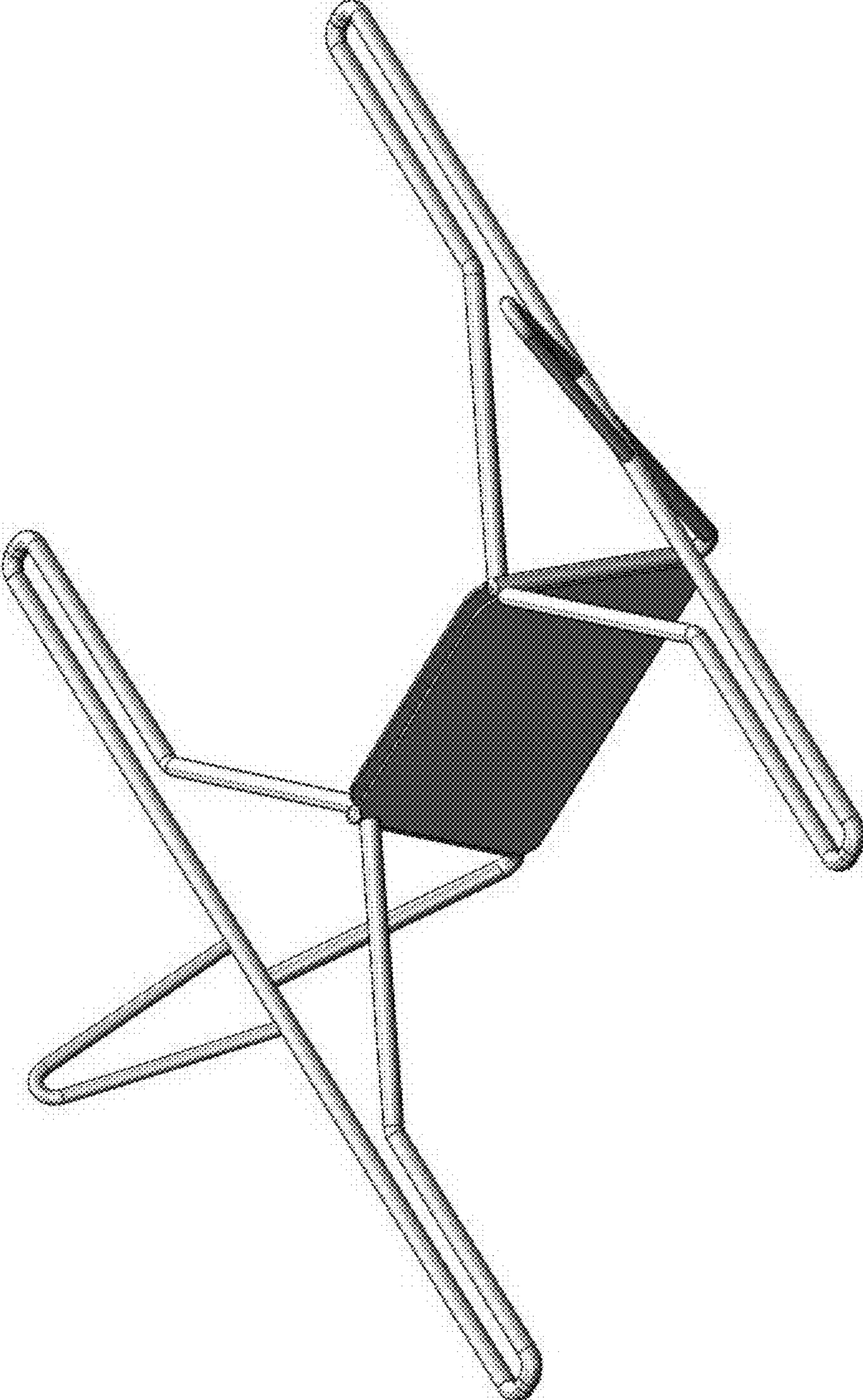


FIG. 1

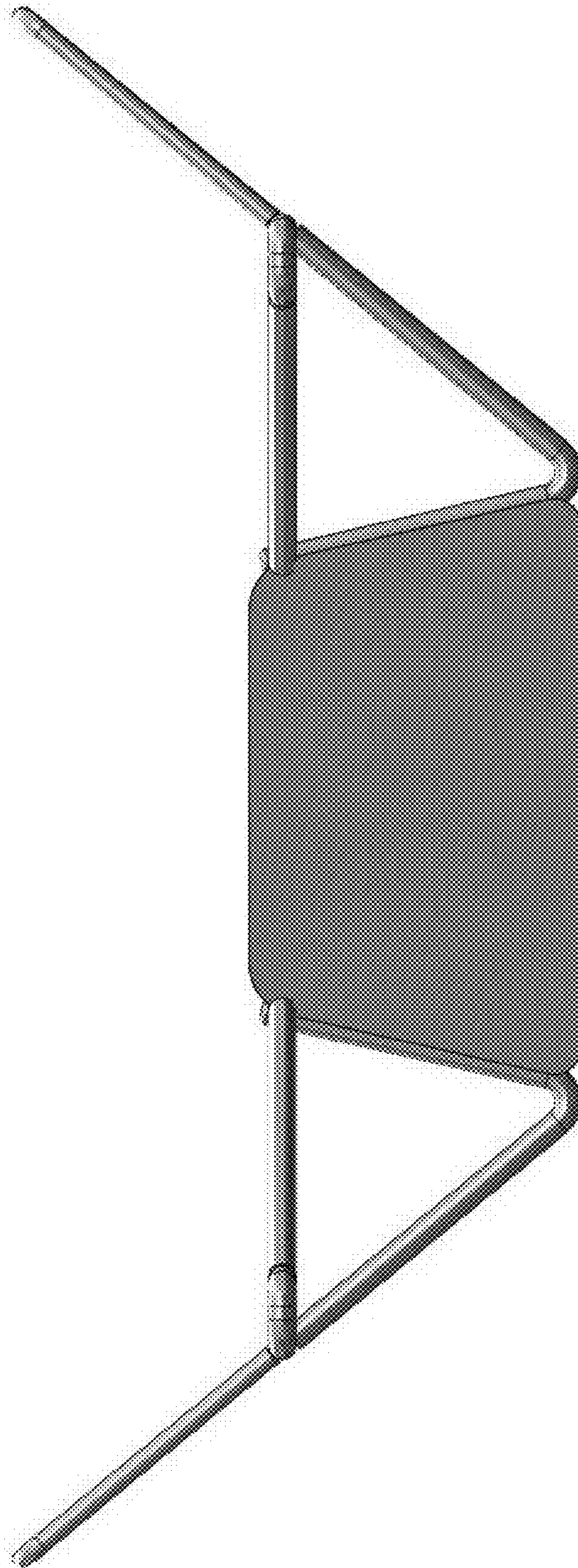


FIG. 2

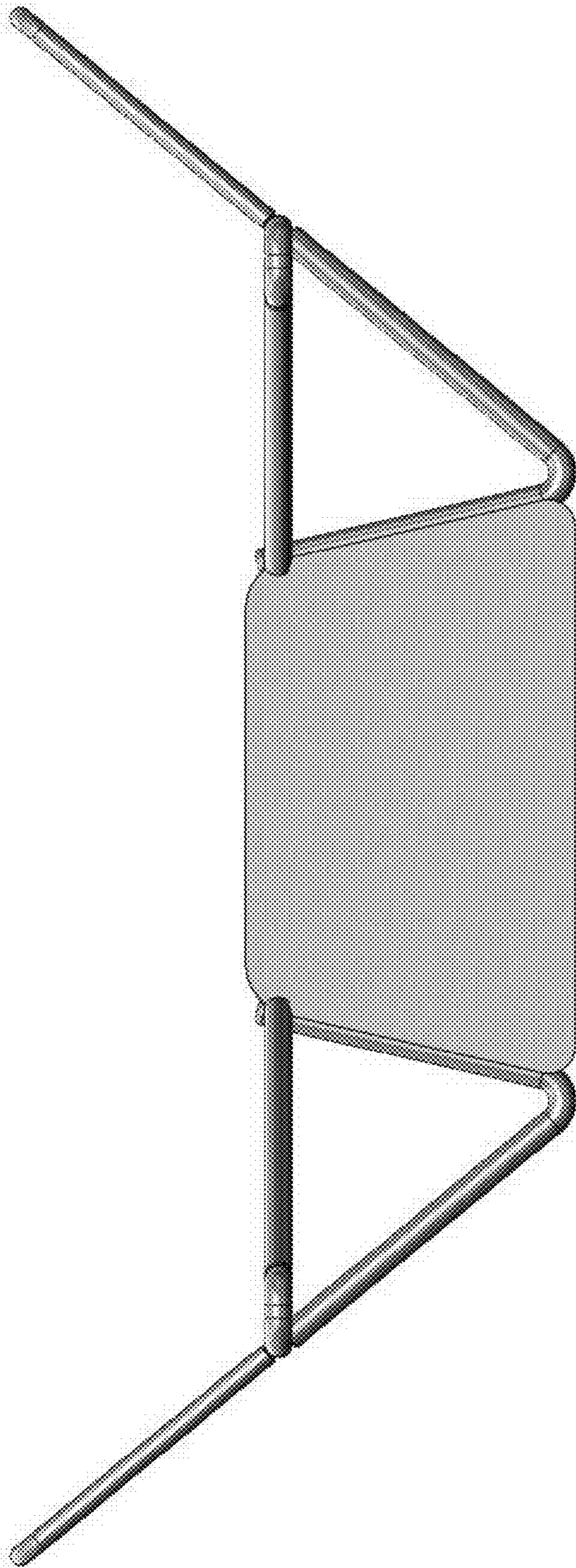


FIG. 3

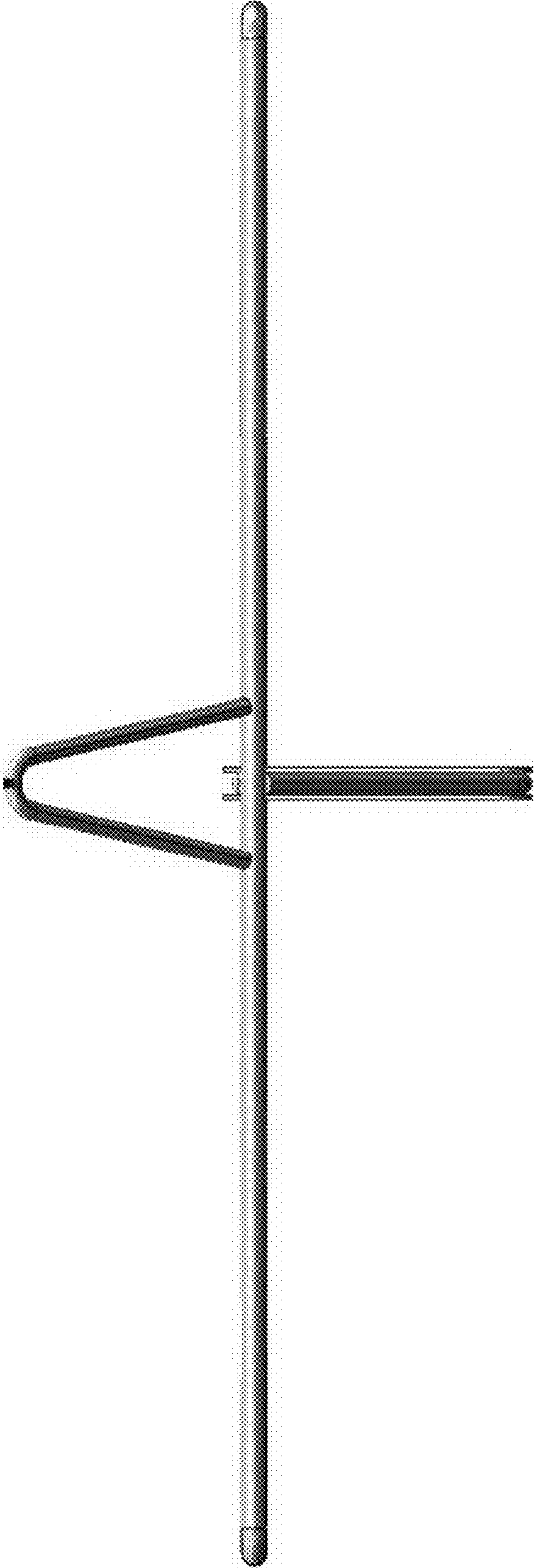


FIG. 4

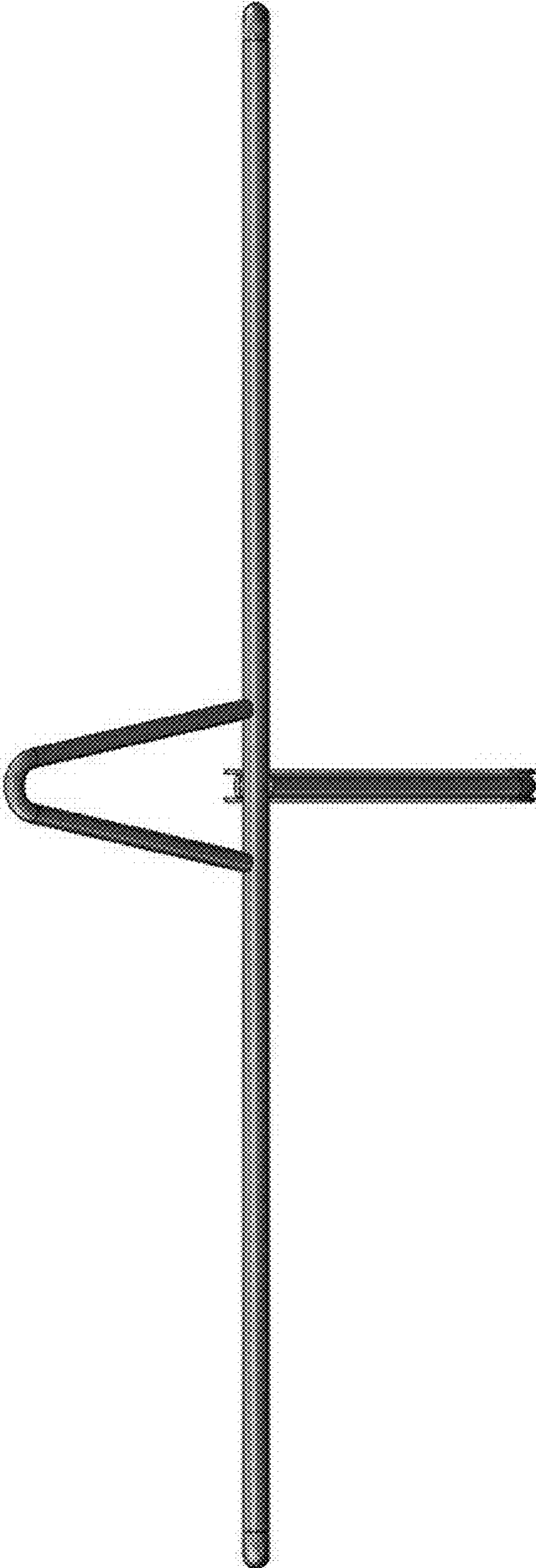


FIG. 5

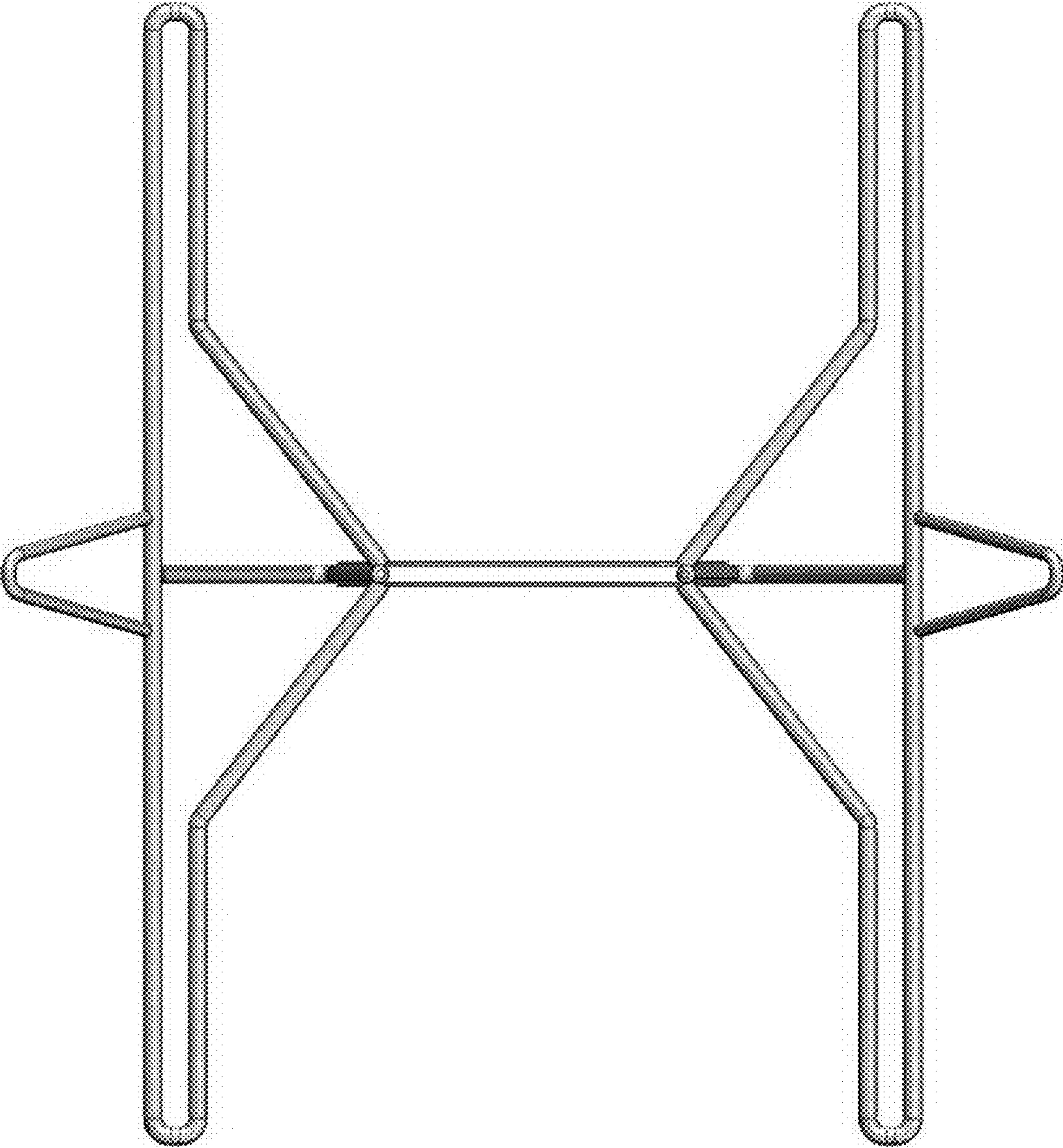


FIG. 6

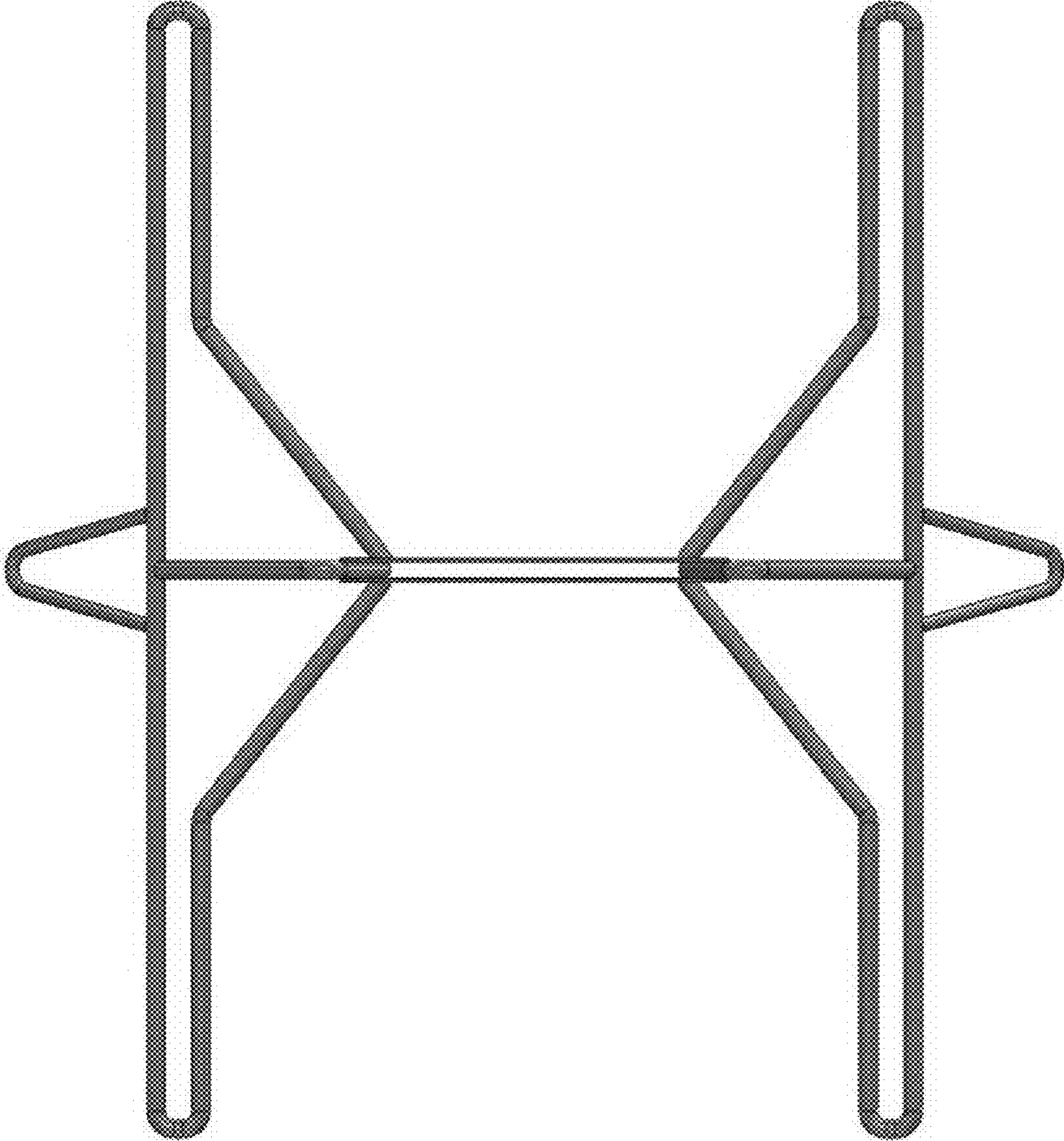


FIG. 7