



US00D695980S

(12) **United States Design Patent**
Thorne

(10) **Patent No.:** **US D695,980 S**

(45) **Date of Patent:** **** Dec. 17, 2013**

(54) **VACUUM CLEANER**

(75) **Inventor:** **Jason Boyd Thorne**, New Territories (HK)

(73) **Assignee:** **Euro-Pro Operating LLC**, Newton, MA (US)

(**) **Term:** **14 Years**

(21) **Appl. No.:** **29/415,167**

(22) **Filed:** **Mar. 8, 2012**

(51) **LOC (9) Cl.** **15-05**

(52) **U.S. Cl.**
USPC **D32/22**

(58) **Field of Classification Search**
USPC D32/22, 30-31, 34; 55/429, 337, 55/DIG. 3; 15/410, 347, 328, 350, 352, 15/353, 361, DIG. 8, 246.2, 320
See application file for complete search history.

(56) **References Cited**

U.S. PATENT DOCUMENTS

D400,324 S	10/1998	Bobrosky et al.	
D435,945 S	1/2001	Ikeno et al.	
D455,876 S	4/2002	Arney et al.	
D473,981 S	4/2003	Warcham	
D475,820 S	6/2003	Dyson et al.	
D481,180 S	10/2003	Fujii	
D487,172 S	2/2004	Oh et al.	
D494,719 S *	8/2004	Rosenzweig et al.	D32/31
D510,465 S *	10/2005	Takahashi et al.	D32/22
D516,259 S	2/2006	Richardson et al.	
D518,928 S	4/2006	Chiba	
D521,699 S *	5/2006	Greene et al.	D32/22
D531,770 S	11/2006	Luebbering et al.	
D532,168 S	11/2006	Elrod	
D532,943 S	11/2006	Haranaka	
D532,944 S *	11/2006	Choi	D32/22
D533,976 S	12/2006	Luebbering et al.	

D535,070 S	1/2007	Shin	
D537,584 S *	2/2007	Greene et al.	D32/22
D537,994 S	3/2007	Leyden	
D541,497 S	4/2007	Elrod	
D547,505 S *	7/2007	Carr et al.	D32/31
D553,313 S *	10/2007	Parr et al.	D32/22
D587,870 S	3/2009	Baek et al.	
D597,917 S	8/2009	Chung	
D608,064 S *	1/2010	Conrad et al.	D32/22
D609,418 S *	2/2010	Santiago et al.	D32/31
D611,210 S *	3/2010	Conrad et al.	D32/31
D612,114 S	3/2010	Ikeno	
D631,628 S *	1/2011	Benacquisto et al.	D32/31
D632,035 S *	2/2011	Luyckx et al.	D32/31
D632,036 S *	2/2011	McNeil et al.	D32/31
D632,037 S	2/2011	Carr et al.	
7,879,142 B2 *	2/2011	Han et al.	96/381
D637,777 S	5/2011	Fiorino et al.	
8,032,983 B2 *	10/2011	Griffith et al.	15/347
D648,087 S	11/2011	Park et al.	

(Continued)

Primary Examiner — Ruth McInroy

(74) *Attorney, Agent, or Firm* — Iandiorio Teska & Coleman, LLP

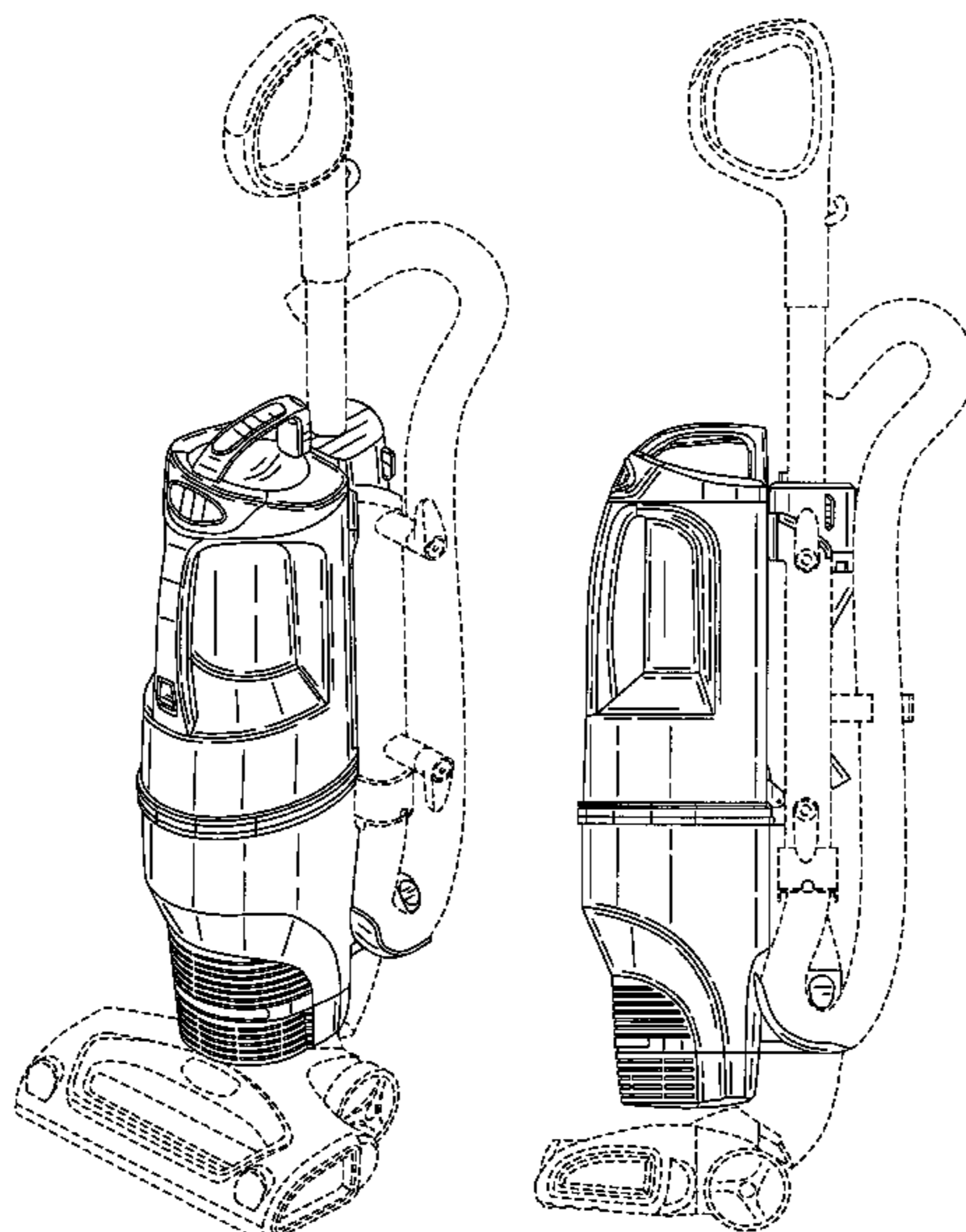
(57) **CLAIM**

I claim the ornamental design for a vacuum cleaner, as shown and described.

DESCRIPTION

FIG. 1 is a perspective view of a vacuum cleaner in accordance with the present design;
FIG. 2 is a left side elevational view thereof;
FIG. 3 is a right side elevational view thereof;
FIG. 4 is a front perspective view thereof;
FIG. 5 is a rear perspective view thereof;
FIG. 6 is a top plan view thereof; and,
FIG. 7 is a bottom plan view thereof.
The broken lines are for illustrative purposes only and form no part of the claimed design.

1 Claim, 4 Drawing Sheets



US D695,980 S

Page 2

(56)

References Cited

U.S. PATENT DOCUMENTS

D662,271 S * 6/2012 Conrad et al. D32/31
D662,272 S * 6/2012 Conrad et al. D32/31
8,268,029 B2 * 9/2012 Yoo 55/337

2008/0178420 A1* 7/2008 Conrad 15/410
2011/0219574 A1* 9/2011 Conrad 15/347
2011/0219580 A1* 9/2011 Conrad 15/410
2011/0225764 A1* 9/2011 Muhlenkamp et al. 15/347

* cited by examiner

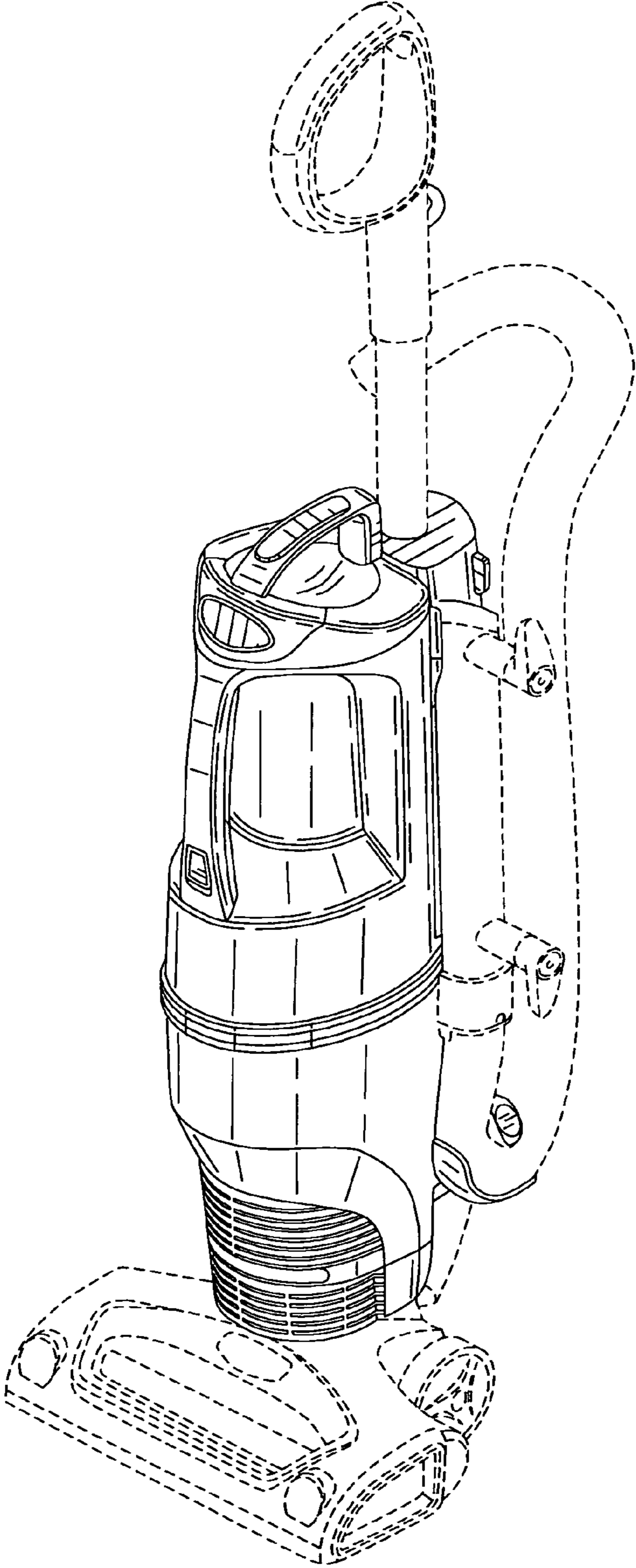
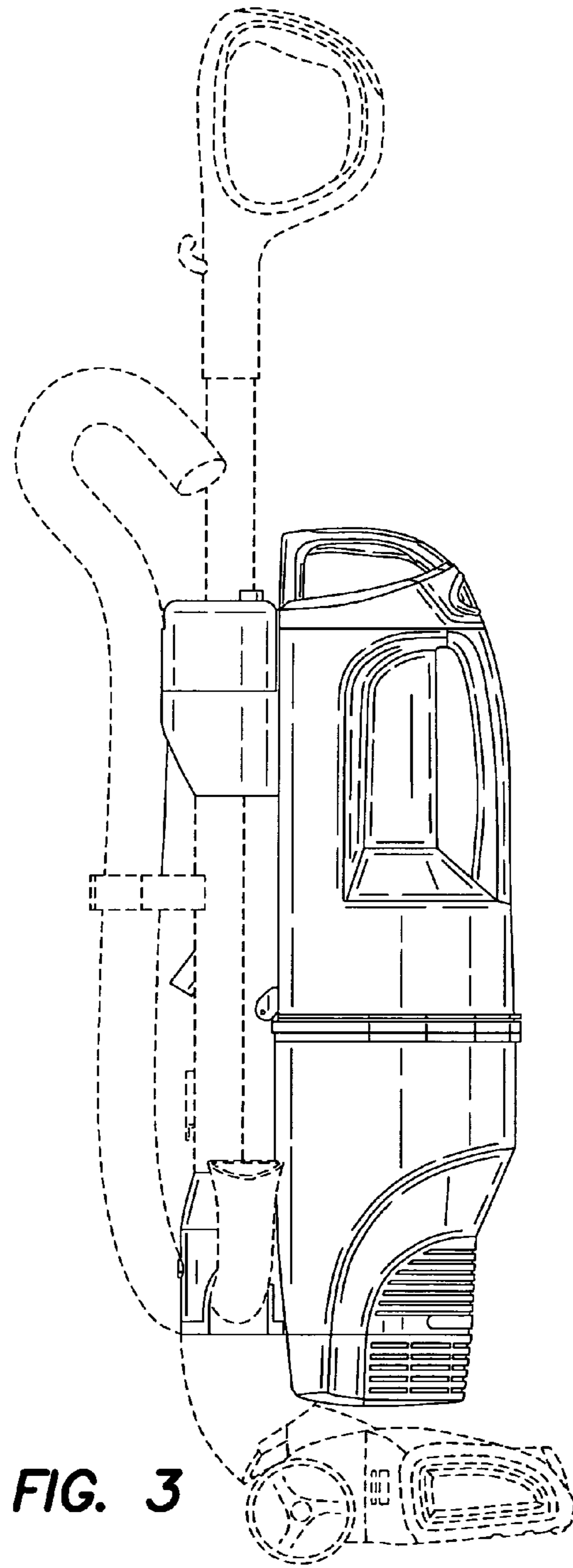
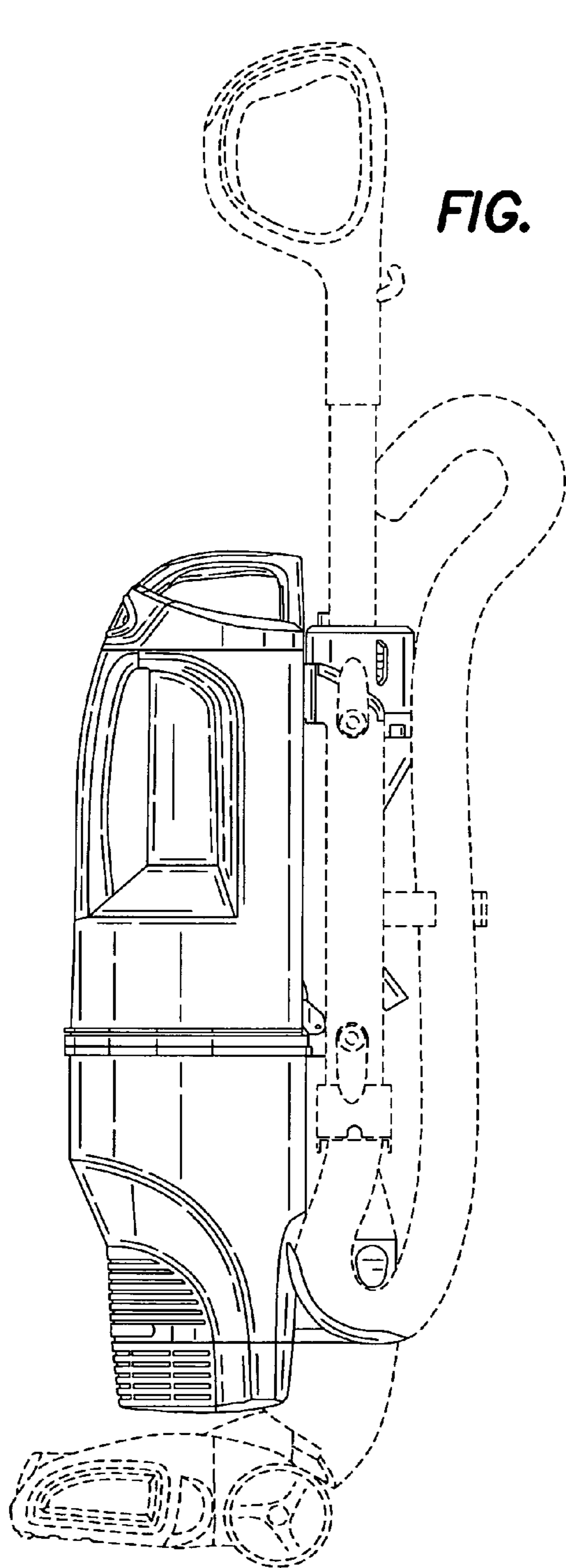


FIG. 1



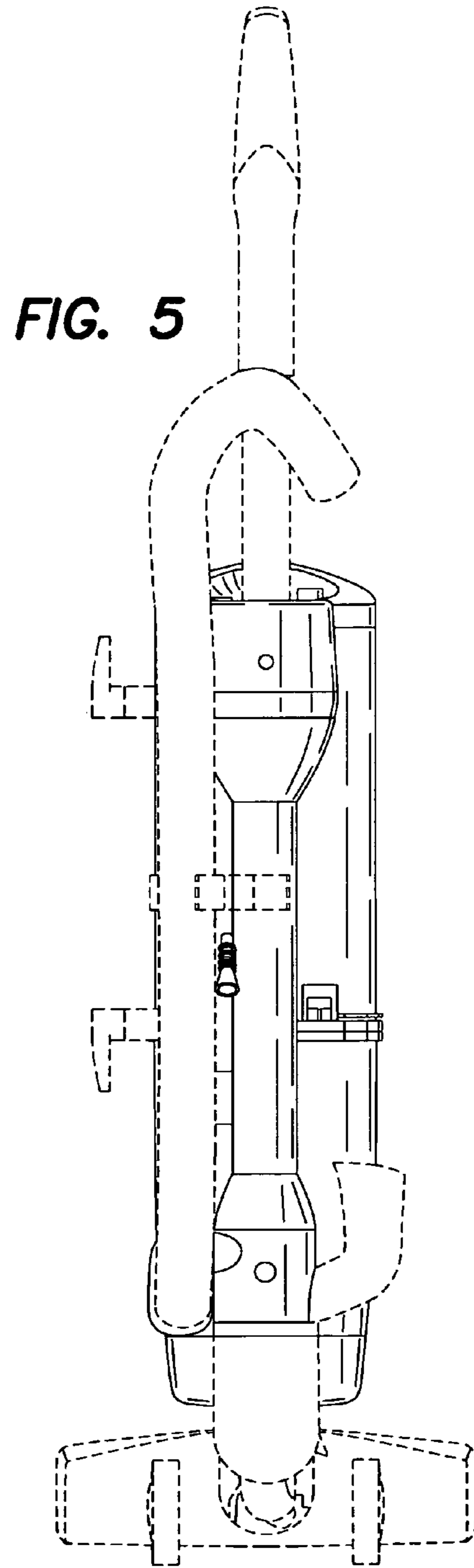
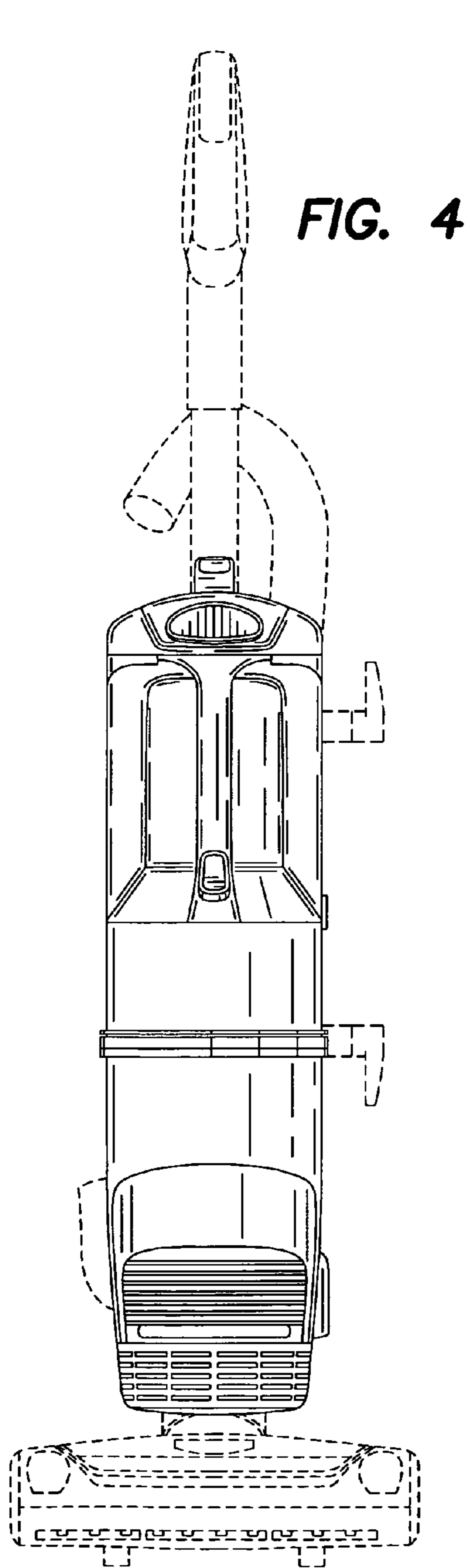


FIG. 6

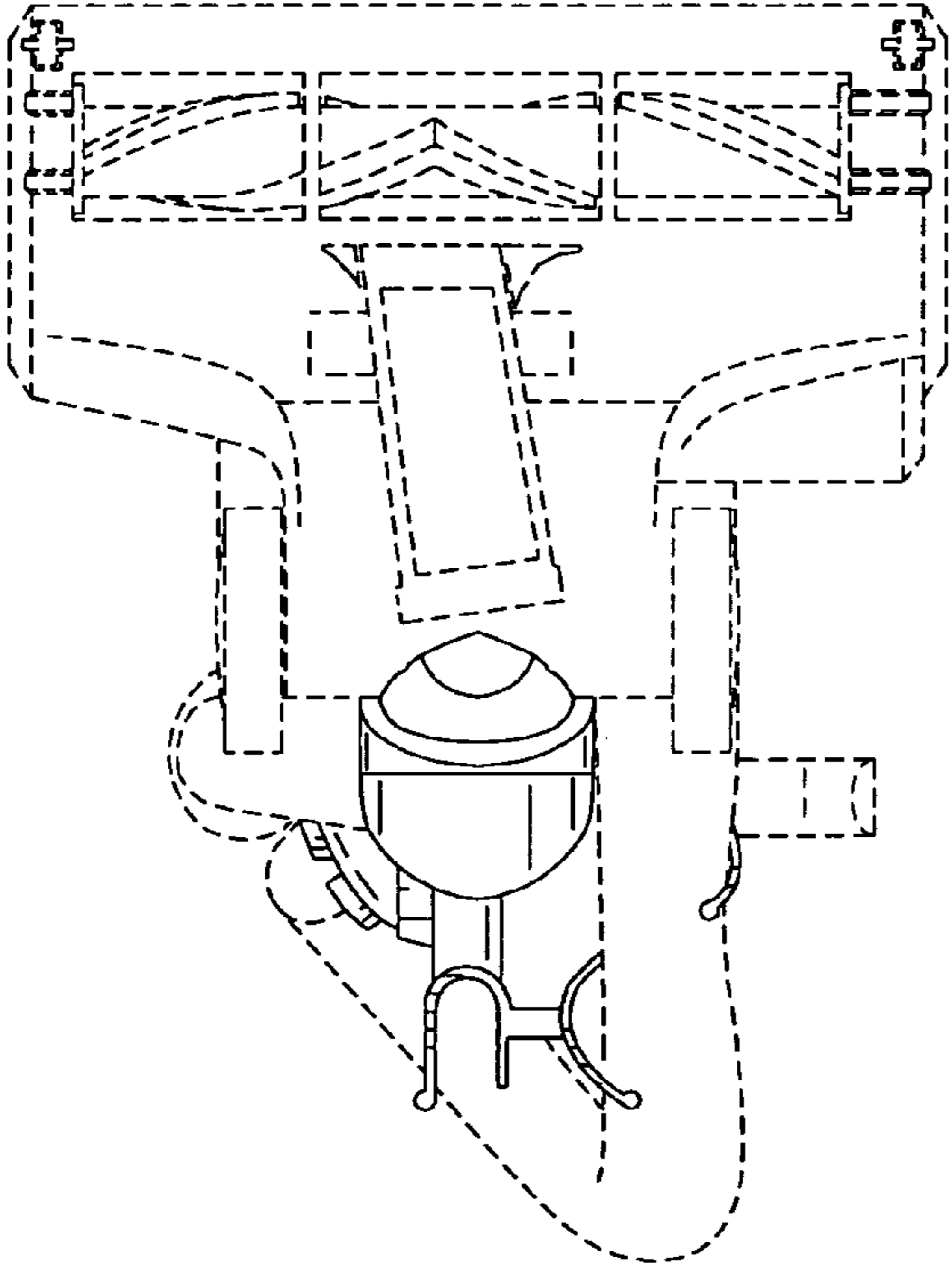
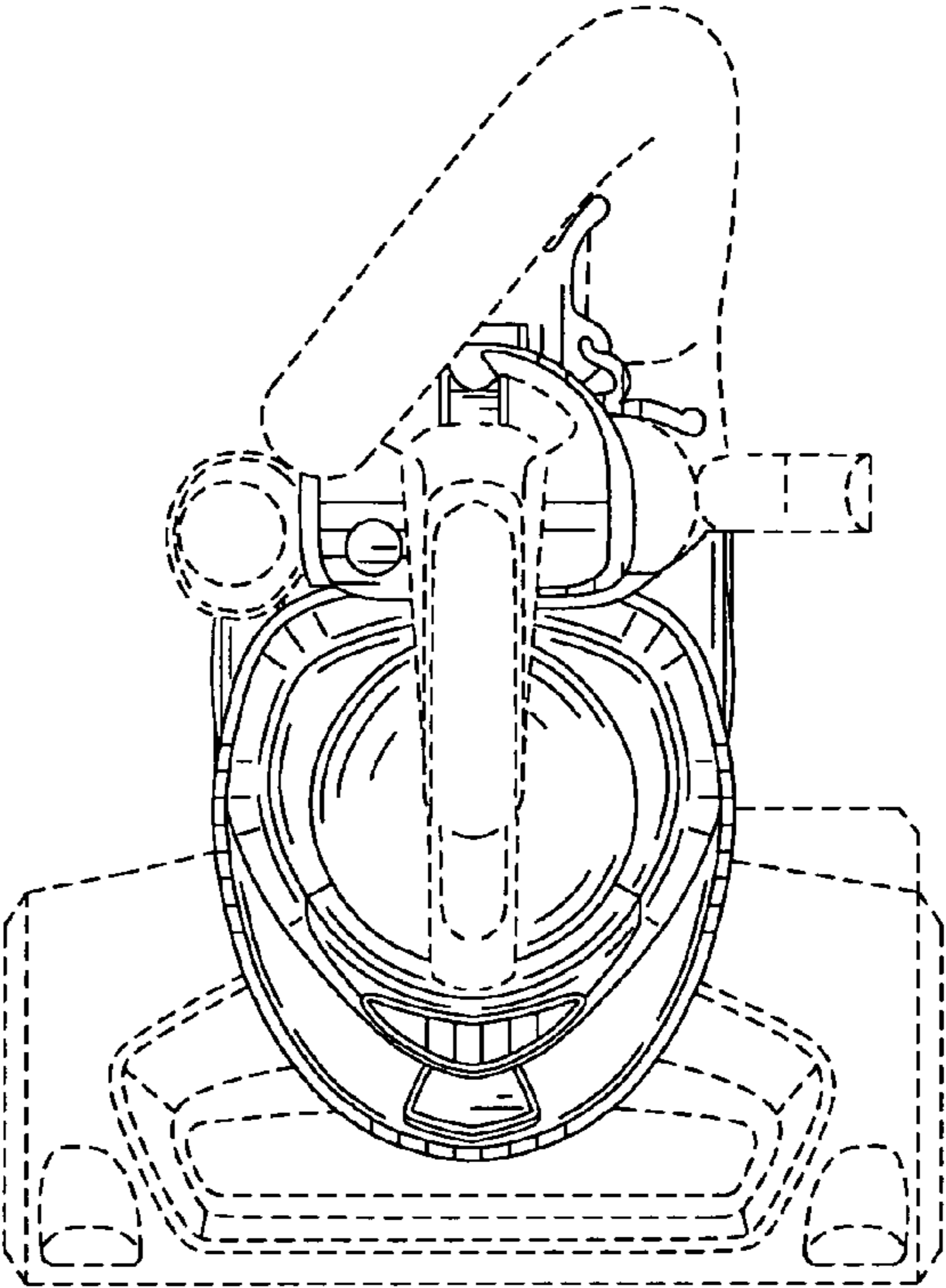


FIG. 7