



US00D695978S

(12) **United States Design Patent**
Lee et al.

(10) **Patent No.:** **US D695,978 S**
(45) **Date of Patent:** **** Dec. 17, 2013**

- (54) **WASHING MACHINE**
- (75) Inventors: **Hea Me Lee**, Seoul (KR); **Myeonghee Bak**, Seoul (KR)
- (73) Assignee: **Samsung Electronics Co., Ltd.**, Gyeonggi-do (KR)
- (**) Term: **14 Years**
- (21) Appl. No.: **29/420,139**
- (22) Filed: **May 4, 2012**
- (51) **LOC (9) Cl.** **15-05**
- (52) **U.S. Cl.**
USPC **D32/6**
- (58) **Field of Classification Search**
USPC D32/1, 5-6, 8, 10; 68/3 R, 5 R, 12.01, 68/12.07-12.08, 12.26, 212; 34/87-88, 34/523-524
See application file for complete search history.

- D549,895 S * 8/2007 Reim et al. D32/6
- D556,956 S * 12/2007 Kim D32/6
- D575,913 S * 8/2008 Jeon et al. D32/6
- D588,312 S * 3/2009 Lee D32/8
- D589,216 S * 3/2009 Park et al. D32/6
- D617,960 S * 6/2010 Bohm et al. D32/6
- 2011/0023559 A1* 2/2011 Schone 68/212

* cited by examiner

Primary Examiner — T. Chase Nelson
Assistant Examiner — Kathleen M Sims
(74) *Attorney, Agent, or Firm* — Harness, Dickey & Pierce

(57) **CLAIM**
We claim the ornamental design for a washing machine, as shown and described.

DESCRIPTION

FIG. 1 is a front/right-side/top perspective view of a washing machine showing our new design;
FIG. 2 is a front-side elevational view thereof;
FIG. 3 is a rear-side elevational view thereof;
FIG. 4 is a left-side elevational view thereof;
FIG. 5 is a right-side elevational view thereof;
FIG. 6 is a top-side elevational view thereof; and,
FIG. 7 is a bottom-side elevational view thereof.
The broken line showing of a laundry appliance top, bottom, sides and rear in FIGS. 1-7 is included for the purpose of showing environmental portions of the washing machine and forms no part of the claimed design.
The light gray pattern on the front of the washing machine is a part of the claimed design.

1 Claim, 6 Drawing Sheets

- (56) **References Cited**
U.S. PATENT DOCUMENTS
- D177,010 S * 3/1956 Boldt D32/6
- 3,602,015 A * 8/1971 Hughes 68/12.26
- D271,147 S * 10/1983 Krebs D32/6
- D457,991 S * 5/2002 Baldwin et al. D32/6
- 6,892,485 B2* 5/2005 Geyer 40/541
- D517,254 S * 3/2006 Geyer D32/5
- D536,145 S * 1/2007 Lee et al. D32/6
- D547,913 S * 7/2007 Reim et al. D32/6
- D547,914 S * 7/2007 Ritterling et al. D32/6
- D548,410 S * 8/2007 Ritterling et al. D32/6
- D548,900 S * 8/2007 Ritterling et al. D32/6

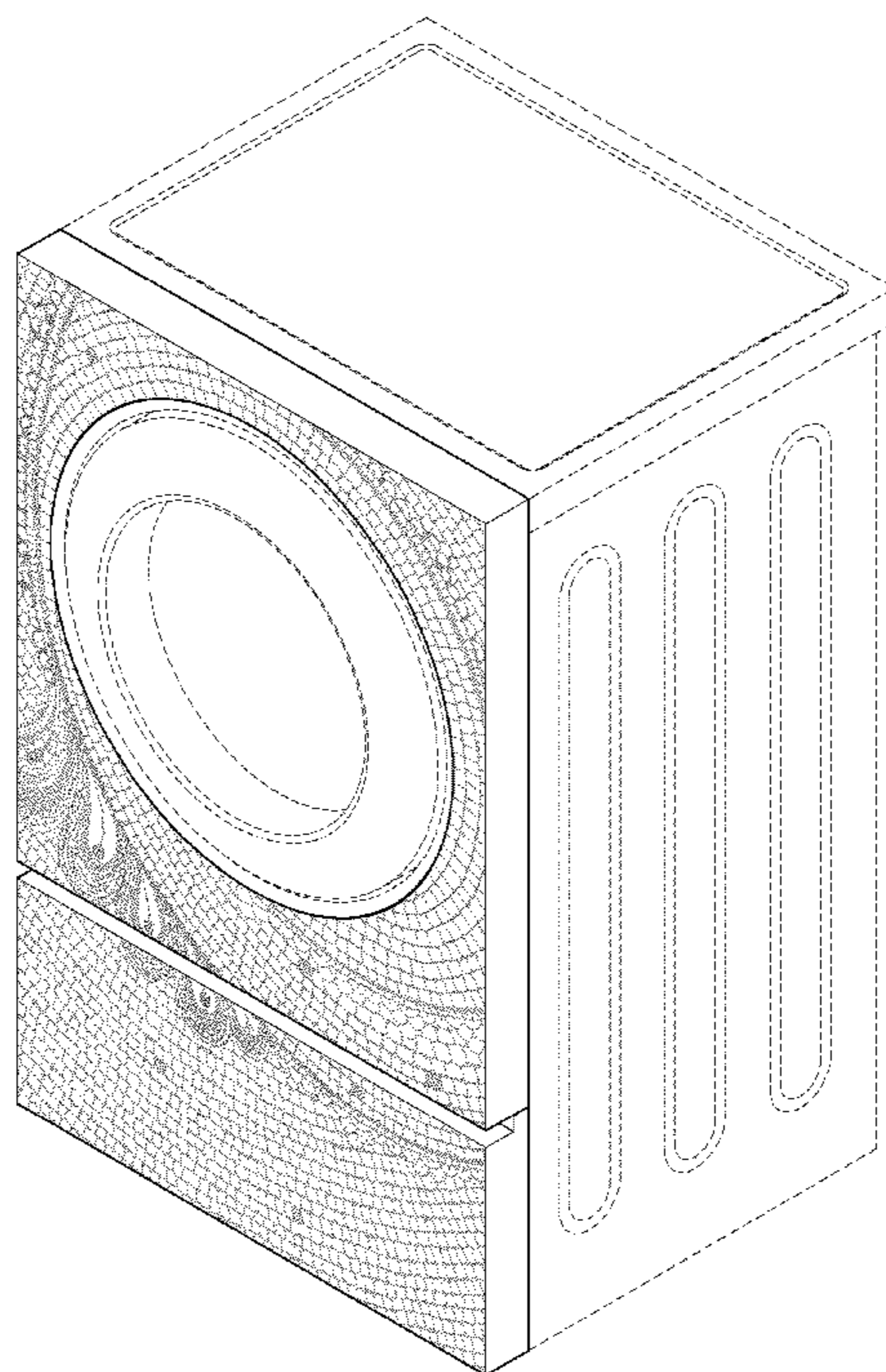


FIG. 1

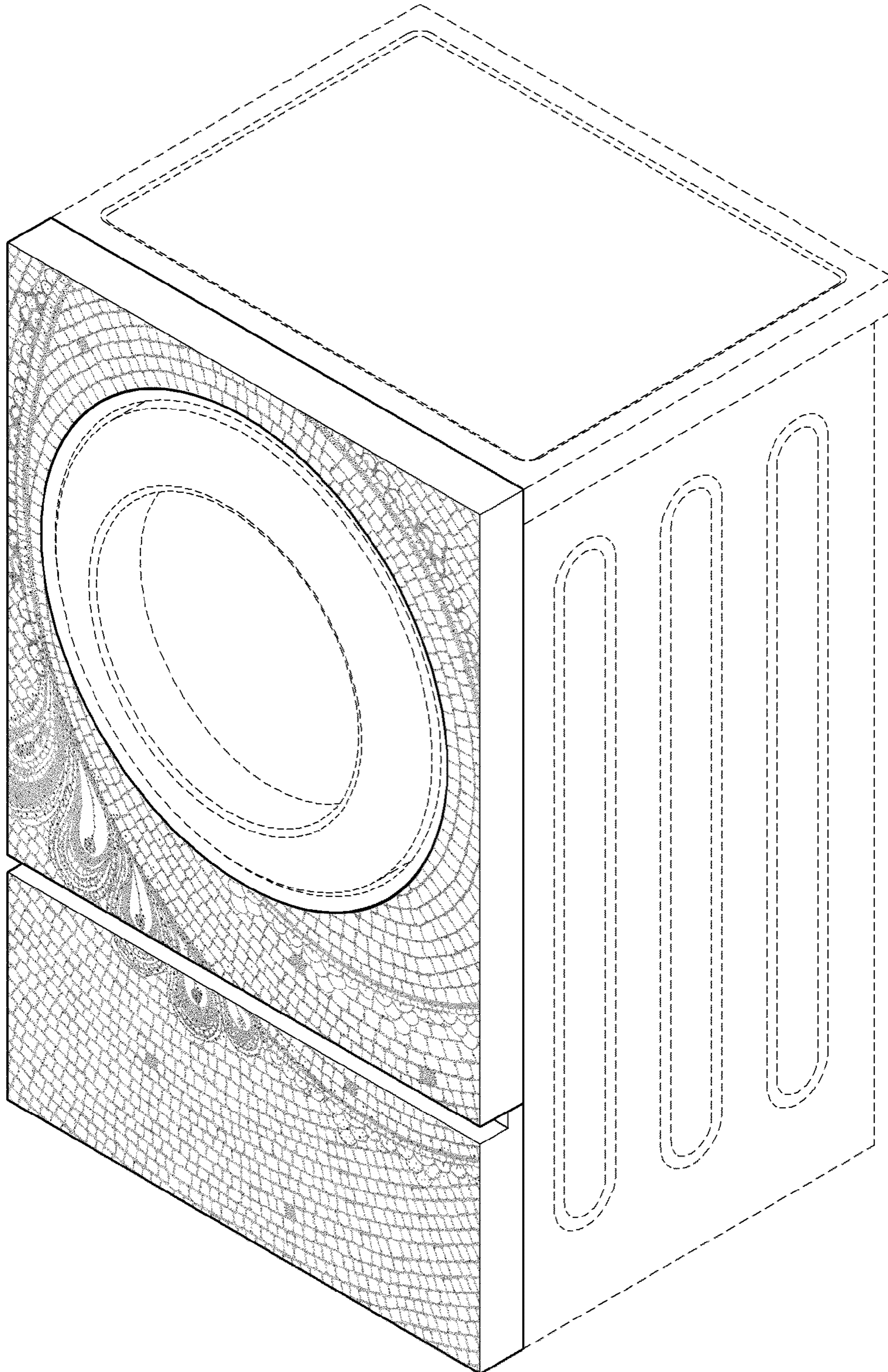


FIG. 2

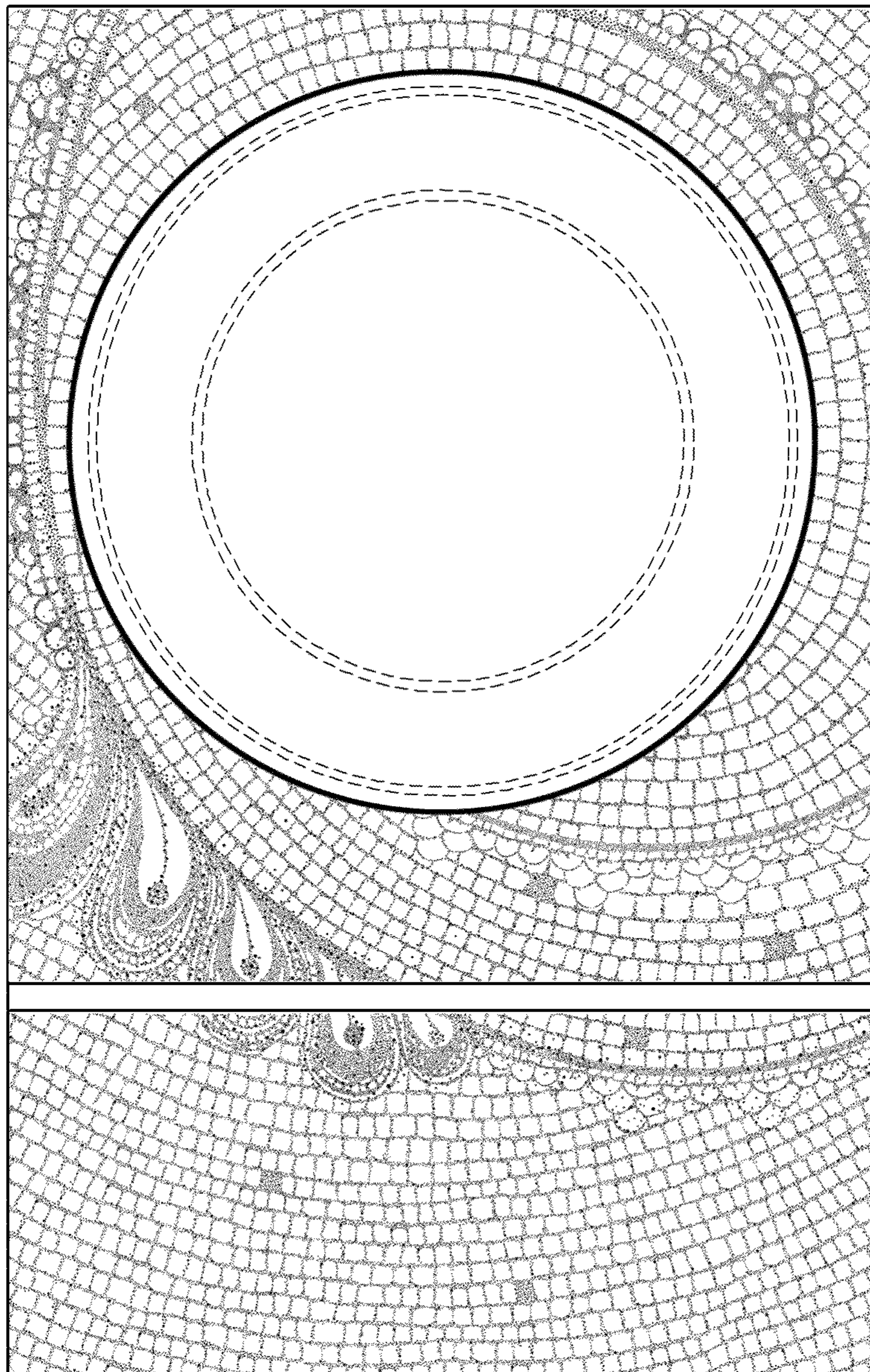


FIG. 3



FIG. 4

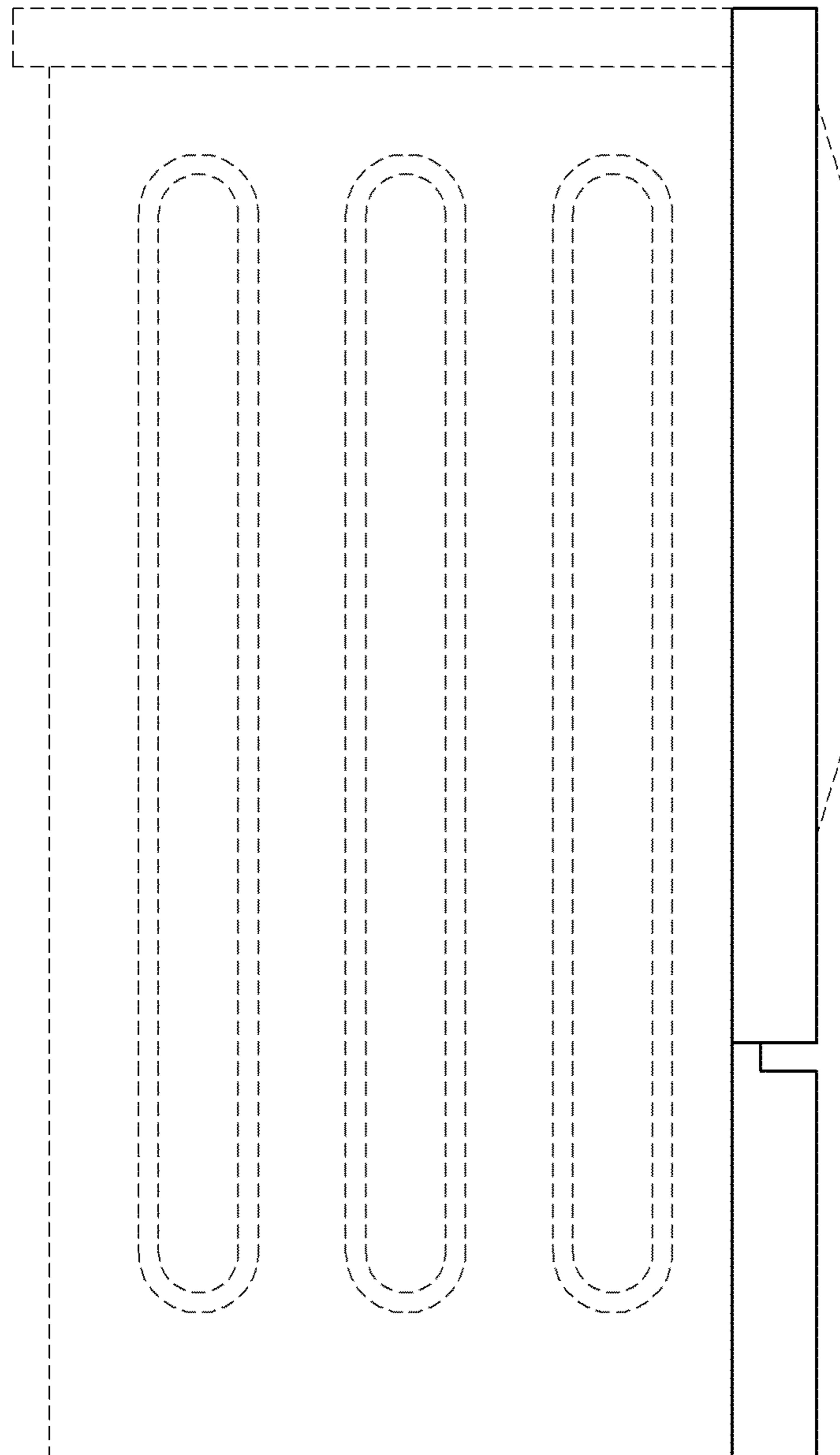


FIG. 5

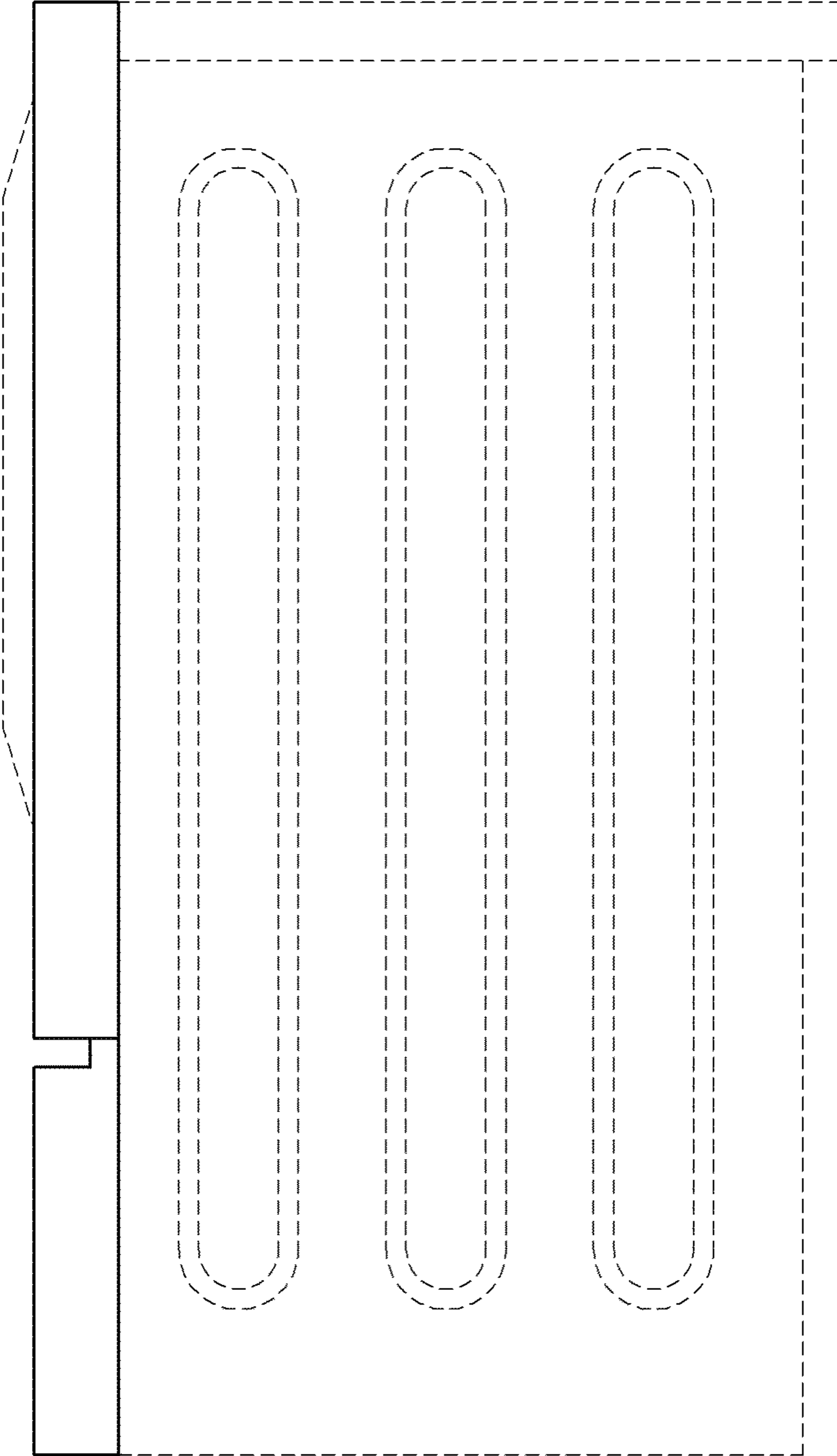


FIG. 6

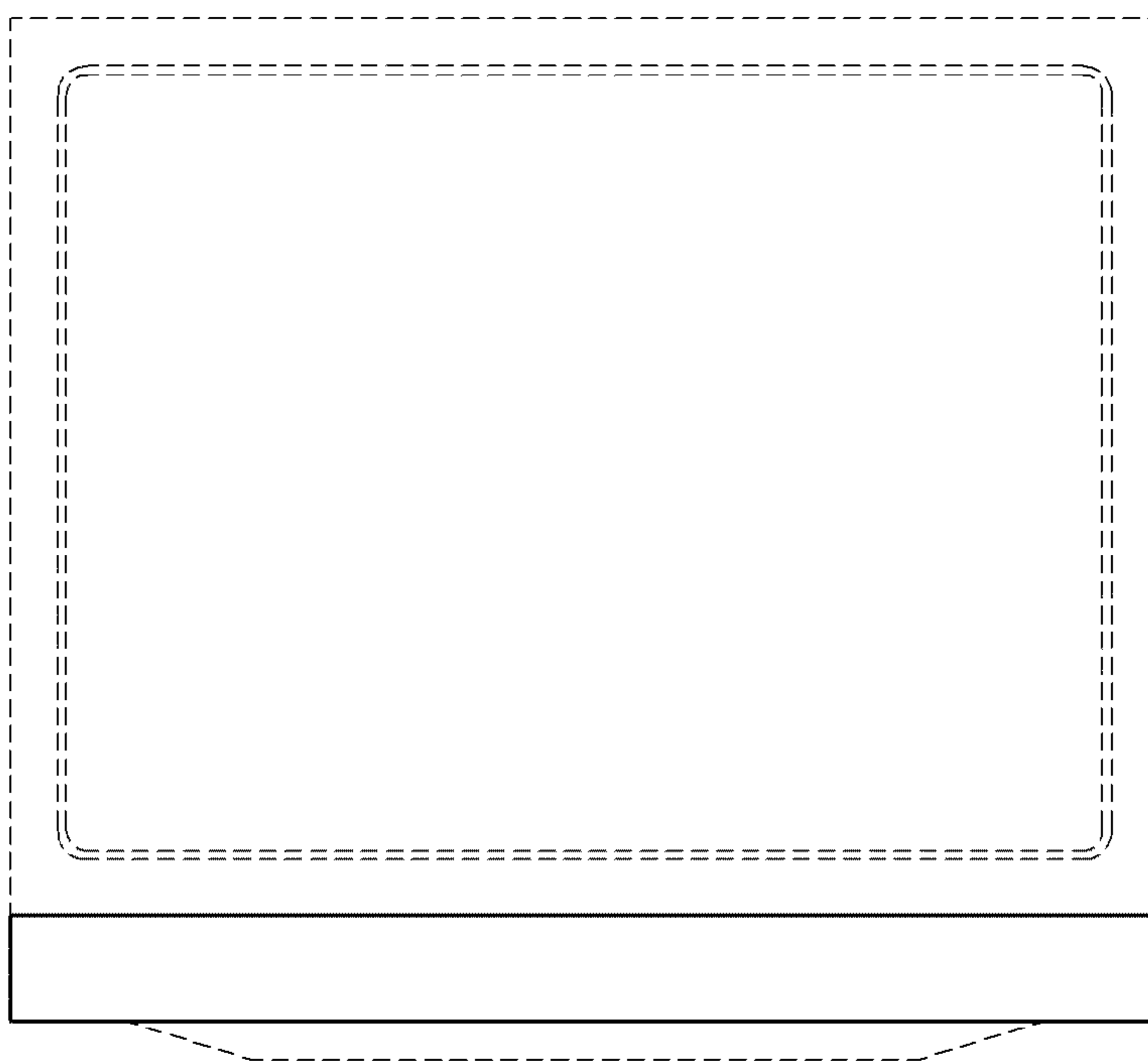


FIG. 7

