



US00D695973S

(12) **United States Design Patent**
Carrs

(10) **Patent No.:** **US D695,973 S**

(45) **Date of Patent:** **** Dec. 17, 2013**

(54) **COMBINED SALT LICK AND HORSE HALTER HOLDER**

(71) Applicant: **Sarah Eleanor Carrs**, Norwalk, CT (US)

(72) Inventor: **Sarah Eleanor Carrs**, Norwalk, CT (US)

(**) Term: **14 Years**

(21) Appl. No.: **29/442,724**

(22) Filed: **Apr. 26, 2013**

(51) **LOC (9) Cl.** **30-03**

(52) **U.S. Cl.**
USPC **D30/133; D30/143**

(58) **Field of Classification Search**
USPC D30/133, 121, 199, 143; 119/51.03, 58, 119/60; 248/155.1-155.4, 174-75, 219.4, 248/309.1, 691, 290.1, 200, 205.1, 248/211-215, 227.2, 227.4, 234, 268, 919; 211/48, 49.1, 63, 69.9, 88.01, 85.11, 211/18, 87.01, 106.01, 13.1, 85.3, 85.7, 30, 211/32, 88.04, 99-105, 1, 2, 123; D6/313, D6/490, 553, 475, 567, 323, 363, 367; 54/55, 84, 1

See application file for complete search history.

(56) **References Cited**

U.S. PATENT DOCUMENTS

227,450	A *	5/1880	Schwartz	248/133
488,851	A *	12/1892	Stock	119/69
505,360	A *	9/1893	Hilliard	211/85.12
RE11,610	E *	6/1897	Huebel et al.	211/85.12
618,425	A *	1/1899	Manger	211/85.12
1,584,857	A *	5/1926	Hobbs	215/395
1,879,332	A *	9/1932	Kulp	119/61.57
1,930,673	A *	10/1933	Consolazio	248/315
D92,105	S *	4/1934	Newman	D6/566
D112,262	S *	11/1938	Wackwitz	D32/54
D118,124	S *	12/1939	MacLean	D30/121

D131,344	S *	2/1942	Daum	D6/566
2,294,151	A *	8/1942	Wooten, Jr. et al.	248/217.1
D146,408	S *	2/1947	Hyde	D30/127
2,518,549	A *	8/1950	Hyde	119/60
D162,958	S *	4/1951	Ives	D6/566
D166,583	S *	4/1952	Zebarth	D8/370
D168,820	S *	2/1953	Beltramini	D8/370
2,801,609	A *	8/1957	Webster	119/51.03
D184,585	S *	3/1959	Shurtleff	D6/566
D186,833	S *	12/1959	Nadel	D6/566
D191,484	S *	10/1961	Bardo et al.	D6/566
D194,213	S *	12/1962	Bergen et al.	D6/566
D195,869	S *	8/1963	Silverstein et al.	D6/566
D197,871	S *	3/1964	Crisp	D6/566

(Continued)

Primary Examiner — Susan Moon Lee

(74) *Attorney, Agent, or Firm* — K. Gibner Lehmann

(57) **CLAIM**

The ornamental design for a combined salt lick and horse halter holder, substantially as shown and described.

DESCRIPTION

FIG. 1 is a perspective view of the combined salt lick and horse halter holder showing my new design, installed on a rail of a stall.

FIG. 2 is a perspective view of the combined salt lick and horse halter holder.

FIG. 3 is a front elevation of the combined salt lick and horse halter holder.

FIG. 4 is a top plan view of the combined salt lick and horse halter holder.

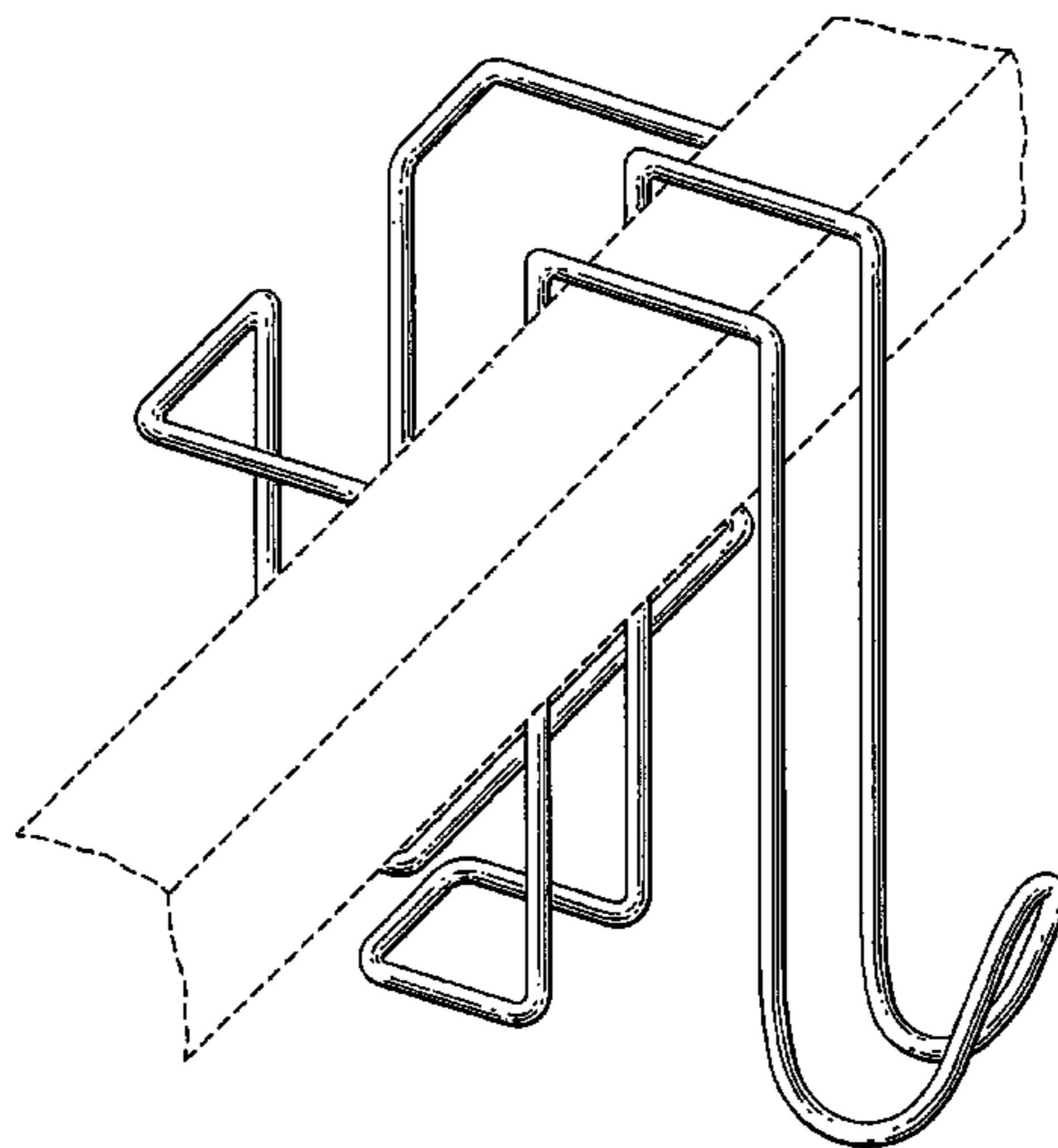
FIG. 5 is a left side elevation of the combined salt lick and horse halter holder, the right side elevation being a mirror image thereof.

FIG. 6 is a rear elevation of the combined salt lick and horse halter holder; and,

FIG. 7 is a bottom plan view of the combined salt lick and horse halter holder.

Broken lines and portions contained within broken line are not claimed.

1 Claim, 7 Drawing Sheets



(56)

References Cited

U.S. PATENT DOCUMENTS

- 3,241,524 A * 3/1966 Torson 119/51.03
3,259,106 A * 7/1966 Ray et al. 119/51.03
D207,285 S * 3/1967 Silverstein D6/566
3,362,382 A * 1/1968 Frasier 119/58
D211,828 S * 7/1968 Schmidt et al. D6/566
3,490,726 A * 1/1970 Mills 248/313
3,511,461 A * 5/1970 Clark 248/27.8
D222,367 S * 10/1971 Goss D6/566
3,688,912 A * 9/1972 Wilmoth 211/85.11
3,780,971 A * 12/1973 De Filipps 248/309.1
D233,195 S * 10/1974 Le Fever D6/566
D236,050 S * 7/1975 Folberth D6/566
D252,439 S * 7/1979 Smith D32/54
D255,611 S * 6/1980 Love D30/143
4,248,352 A * 2/1981 White 211/88.01
4,267,997 A * 5/1981 Meier 220/491
D262,678 S * 1/1982 DeBoer D6/566
D262,834 S * 1/1982 Perkins D30/143
D262,918 S * 2/1982 Perkins D30/143
4,324,381 A * 4/1982 Morris 248/311.2
D264,651 S * 6/1982 Adamson D6/566
D265,615 S * 8/1982 Virte et al. D6/566
D266,964 S * 11/1982 Rasheed D32/54
4,356,922 A * 11/1982 Dierksheide 211/85.11
4,415,137 A * 11/1983 Garves 248/629
D273,159 S * 3/1984 Adamson et al. D6/566
4,524,542 A * 6/1985 Elliott 47/67
D282,326 S * 1/1986 Bell D6/566
D282,994 S * 3/1986 Prader D6/566
4,598,891 A * 7/1986 Hanert 248/340
D295,247 S * 4/1988 Chap D6/566
D297,795 S * 9/1988 Bateman D6/566
D297,796 S * 9/1988 Bateman D6/566
D297,998 S * 10/1988 Edson D6/566
D298,714 S * 11/1988 Prader D6/566
4,939,883 A * 7/1990 Swenson 52/686
D314,487 S * 2/1991 Bajek et al. D6/566
D314,684 S * 2/1991 Bajek et al. D6/566
4,989,388 A * 2/1991 Schmidgall et al. 52/687
4,999,965 A * 3/1991 Schmidgall et al. 52/684
D321,070 S * 10/1991 Lewicki D32/54
D322,388 S * 12/1991 Hoskinson et al. D8/370
D327,641 S * 7/1992 Hoskinson et al. D8/370
D330,290 S * 10/1992 Edwards D6/323
D331,680 S * 12/1992 Glassenberg D6/566
5,188,060 A * 2/1993 Johnson 119/58
D337,911 S * 8/1993 Gibson D6/566
D341,283 S * 11/1993 Rosenthal D6/566
D341,975 S * 12/1993 Winter D6/566
D343,113 S * 1/1994 Brooks D8/370
D345,069 S * 3/1994 Green D6/566
5,375,559 A * 12/1994 Baadsgaard 119/58
5,390,443 A * 2/1995 Emalfarb et al. 47/67
5,400,990 A * 3/1995 Frankel 248/215
D356,916 S * 4/1995 Chadwick D6/566
D365,015 S * 12/1995 Avinger D8/373
D367,000 S * 2/1996 Martin D8/370
D371,830 S * 7/1996 Emery et al. D6/525
5,535,971 A * 7/1996 Adams 248/215
5,553,823 A * 9/1996 Protz, Jr. 248/304
D376,941 S * 12/1996 Munoz et al. D6/525
5,607,131 A * 3/1997 Adams 248/215
D380,638 S * 7/1997 Cohen et al. D6/566
D389,689 S * 1/1998 Ballack D6/566
5,711,502 A * 1/1998 Emalfarb et al. 248/302
D399,415 S * 10/1998 Gay D8/370
5,836,460 A * 11/1998 Brown et al. 211/74
D412,250 S * 7/1999 Pardue D6/323
5,957,238 A * 9/1999 Curvin, II 182/129
D416,157 S * 11/1999 Akins D6/566
D416,472 S * 11/1999 Huttner D8/373
D423,336 S * 4/2000 Gray D8/370
6,050,532 A * 4/2000 Paul 248/214
6,065,727 A * 5/2000 Fitzgerald et al. 248/302
6,109,462 A * 8/2000 Emalfarb et al. 211/119
D461,987 S * 8/2002 Smith D6/566
6,457,691 B1 * 10/2002 Kao 248/311.2
D466,748 S * 12/2002 Battaglia et al. D6/566
6,488,246 B2 * 12/2002 Song 248/175
D473,073 S * 4/2003 Kettering et al. D6/509
6,581,540 B1 * 6/2003 LaVanish 119/51.01
D485,164 S * 1/2004 Gibbens D8/499
D486,379 S * 2/2004 Olson D8/370
D488,996 S * 4/2004 DeBiasio, Jr. D8/370
D494,046 S * 8/2004 DeBiasio, Jr. D8/370
D498,102 S * 11/2004 Snell D6/525
D498,631 S * 11/2004 Anderson et al. D6/566
D499,956 S * 12/2004 Wall D8/370
D518,364 S * 4/2006 DeBiasio, Jr. D8/370
7,024,816 B1 * 4/2006 Marks et al. 47/39
D522,186 S * 5/2006 Taylor D30/143
7,059,271 B2 * 6/2006 Santa Cruz et al. 119/60
D533,002 S * 12/2006 Recknagel et al. D6/566
D545,602 S * 7/2007 Hurt D6/566
D551,007 S * 9/2007 Trinko D6/566
D552,908 S * 10/2007 Cuzzocrea D6/566
D552,971 S * 10/2007 Lin et al. D8/356
7,275,728 B1 * 10/2007 Branson 248/302
D554,418 S * 11/2007 Goodman et al. D6/566
D555,462 S * 11/2007 Moffitt et al. D8/370
D570,201 S * 6/2008 Decker et al. D8/380
D570,633 S * 6/2008 Goodman et al. D6/566
D572,044 S * 7/2008 Miros D6/462
D572,874 S * 7/2008 Moravsky et al. D32/54
D575,090 S * 8/2008 Van Beuningen D6/566
D575,091 S * 8/2008 Ketelhut D6/566
D585,265 S * 1/2009 Meyers D8/370
D586,157 S * 2/2009 Abate et al. D6/495
D587,052 S * 2/2009 Goodman et al. D6/566
D600,101 S * 9/2009 Meyers D8/370
D608,597 S * 1/2010 Goodman et al. D7/600.1
7,690,612 B1 * 4/2010 Branson 248/302
D615,264 S * 5/2010 Yon D32/54
D619,814 S * 7/2010 Goodman et al. D6/323
7,823,852 B1 * 11/2010 Reno 248/302
7,845,604 B2 * 12/2010 Connor, Jr. 248/215
7,891,318 B2 * 2/2011 Wilson 119/61.57
D634,184 S * 3/2011 Koehn D8/373
D637,893 S * 5/2011 Yon D8/370
D642,898 S * 8/2011 Slavov D8/370
D649,440 S * 11/2011 Murphy D8/370
D650,655 S * 12/2011 Wester D8/354
D651,067 S * 12/2011 Johnson, III D8/354
D655,986 S * 3/2012 Schneider D7/620
D660,066 S * 5/2012 Webb et al. D6/566
D661,929 S * 6/2012 Purcell et al. D6/525
D663,675 S * 7/2012 Sautter et al. D12/408
D666,856 S * 9/2012 Goodman et al. D6/566
D666,857 S * 9/2012 Goodman et al. D6/566
D666,858 S * 9/2012 Goodman D6/566
D666,859 S * 9/2012 Goodman et al. D6/566
D666,872 S * 9/2012 Maher D7/402
D669,767 S * 10/2012 Burley D8/370
D670,968 S * 11/2012 Maher D7/403
D674,637 S * 1/2013 London D6/566
D675,049 S * 1/2013 Goodman et al. D6/566
D684,035 S * 6/2013 Su D8/356
D689,338 S * 9/2013 Procter D7/601
2002/0000504 A1 * 1/2002 Bayne 248/302
2005/0005864 A1 * 1/2005 Lesage 119/51.03
2010/0102014 A1 * 4/2010 Yang 211/113
2011/0094984 A1 * 4/2011 Barletta 211/85.8

* cited by examiner

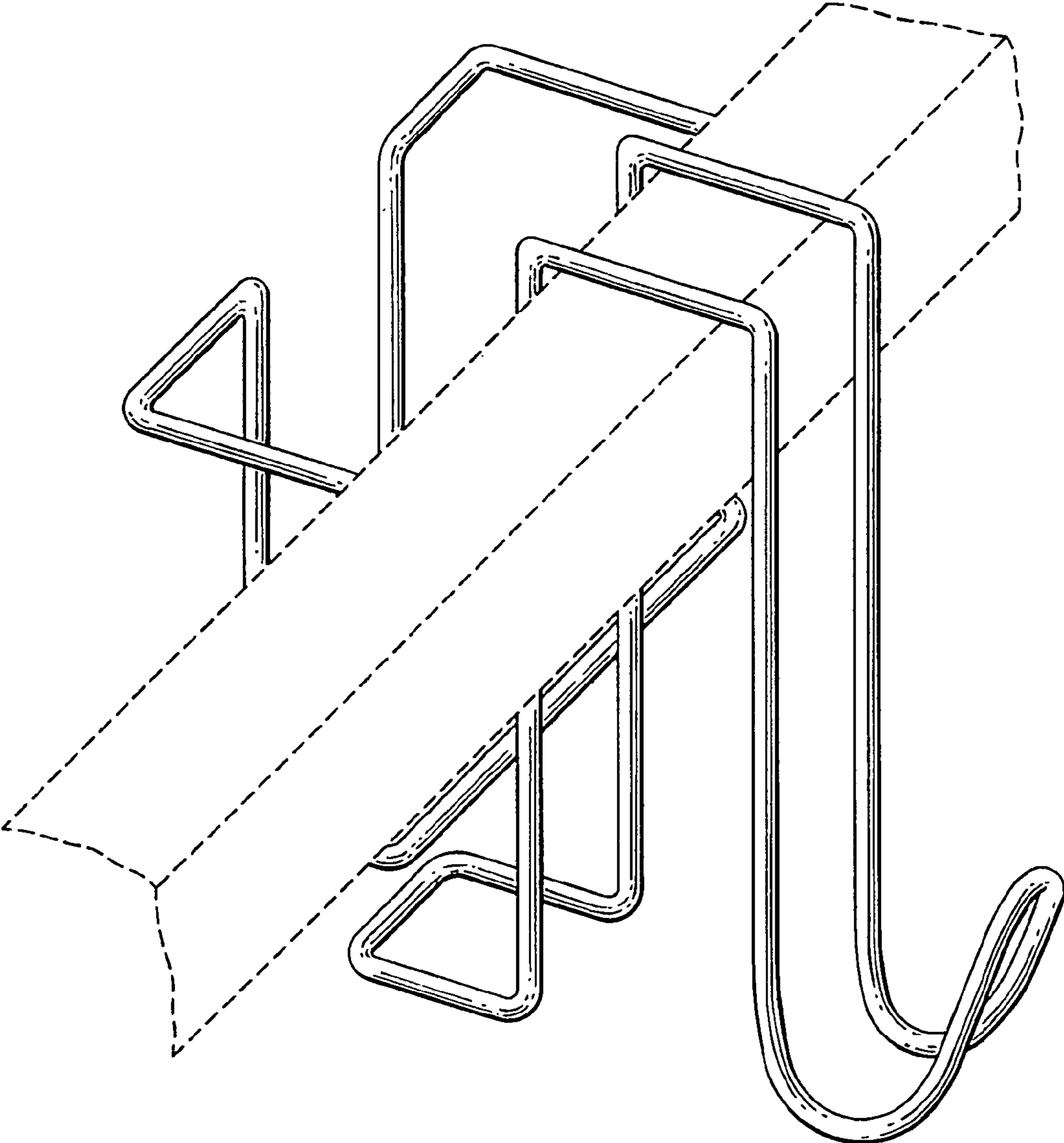


FIG. 1

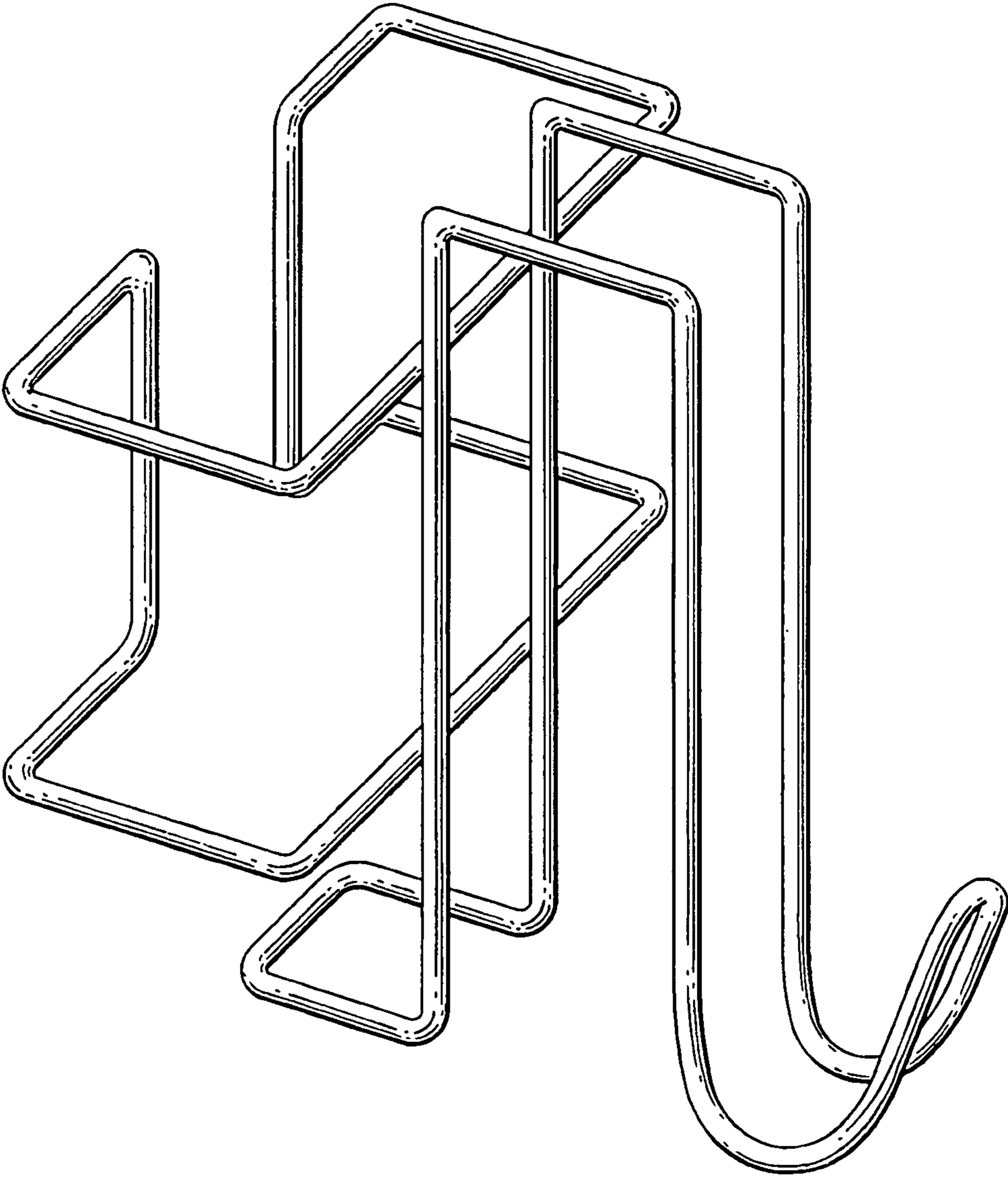


FIG. 2

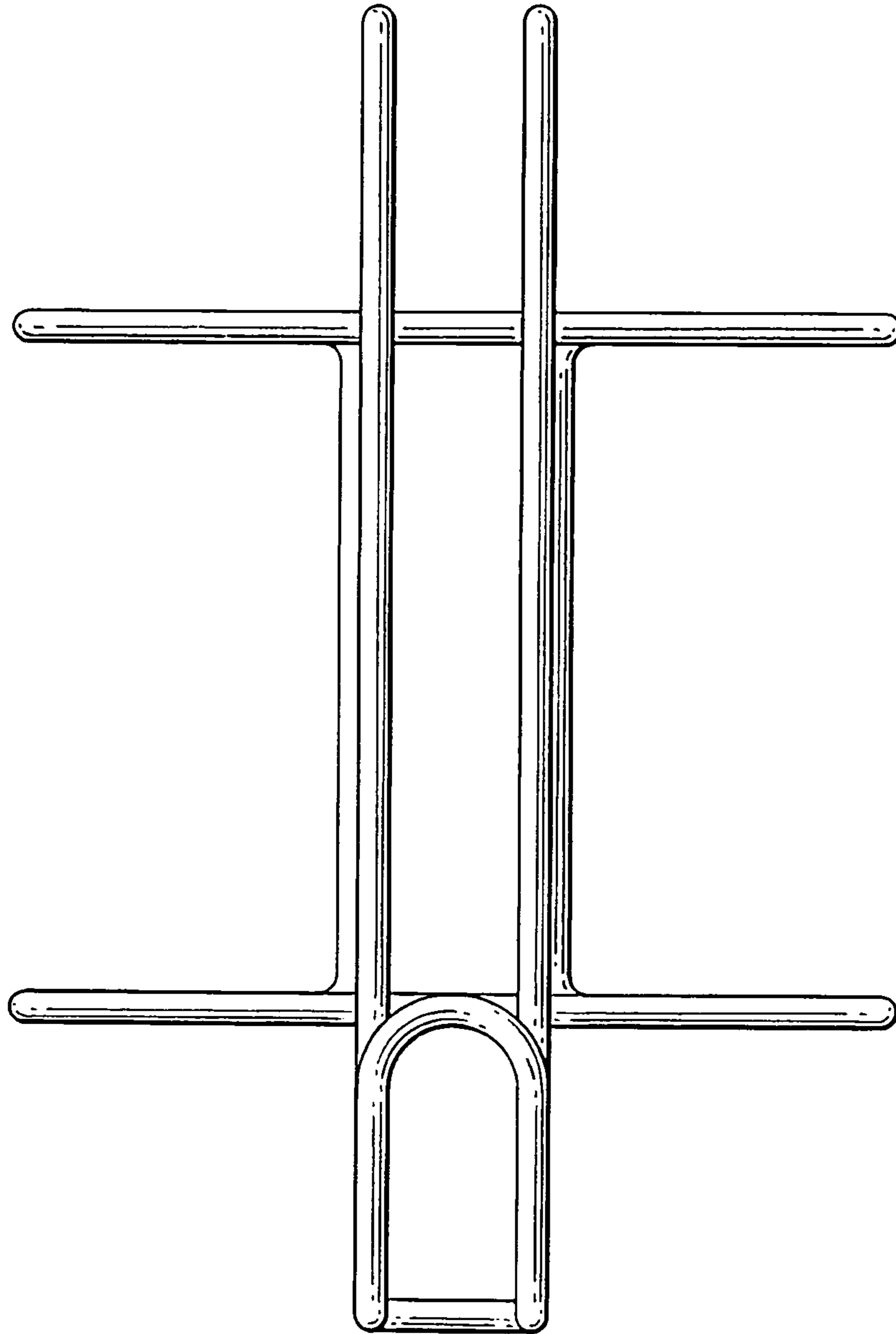


FIG.3

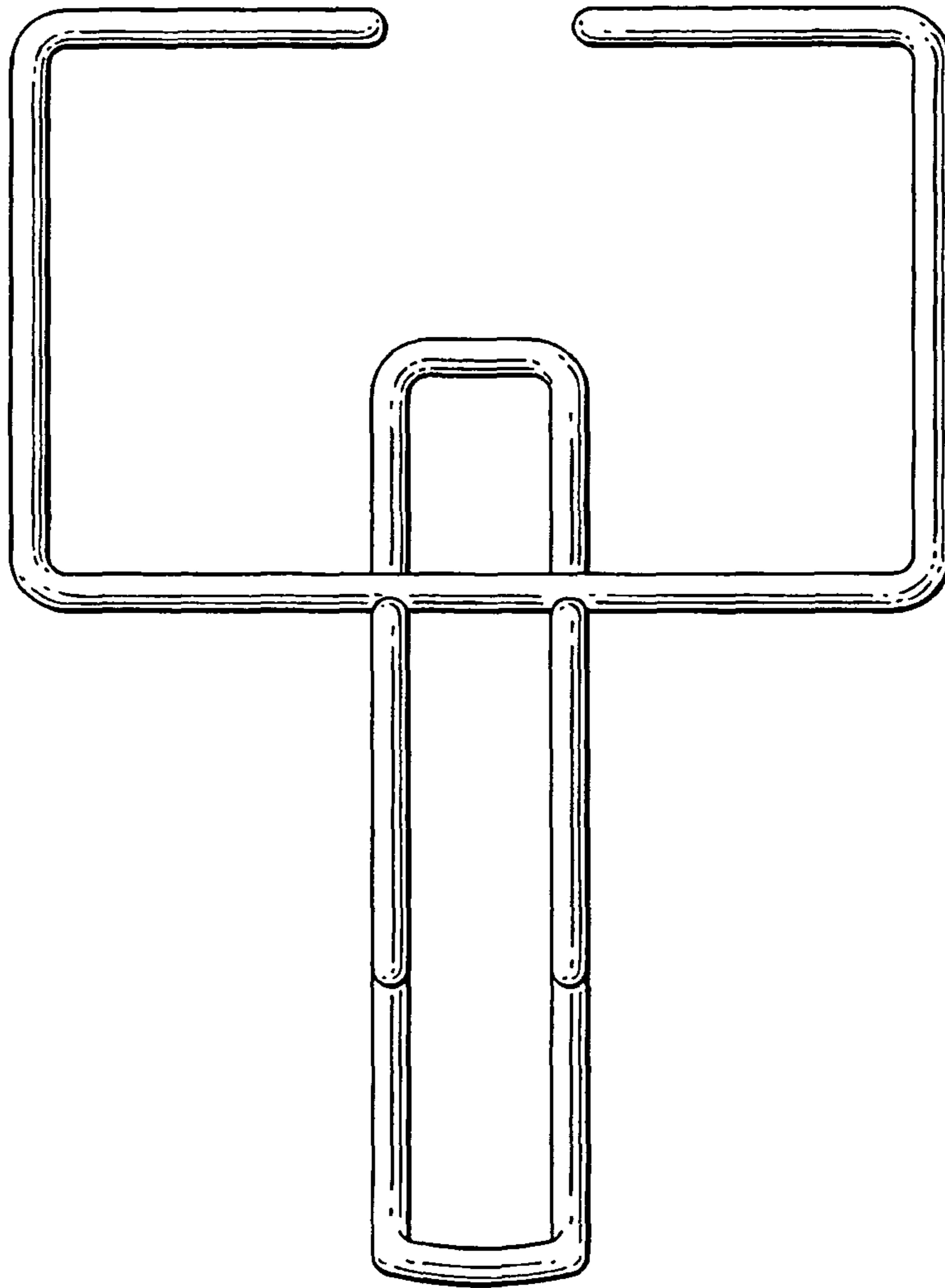


FIG.4

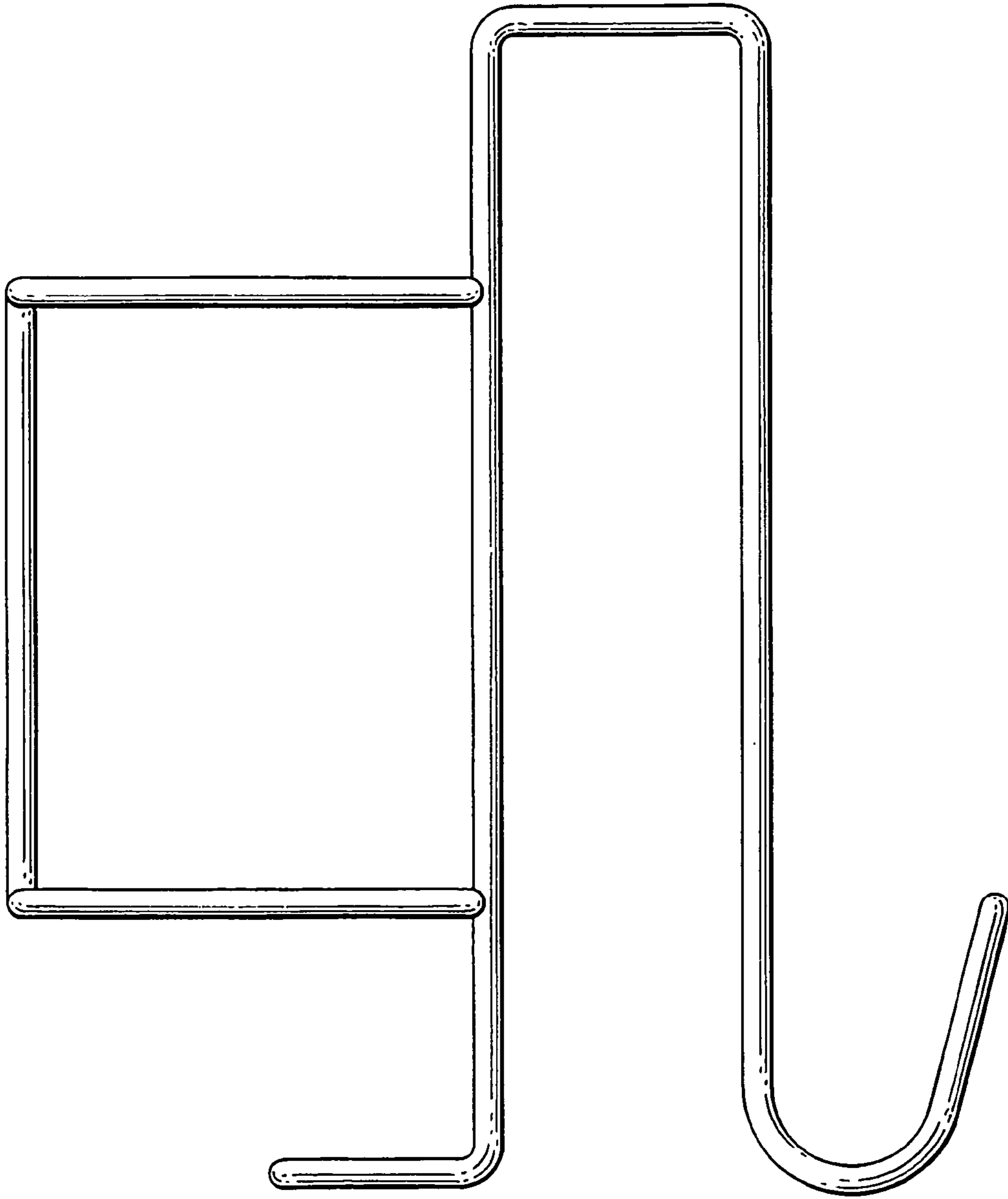


FIG.5

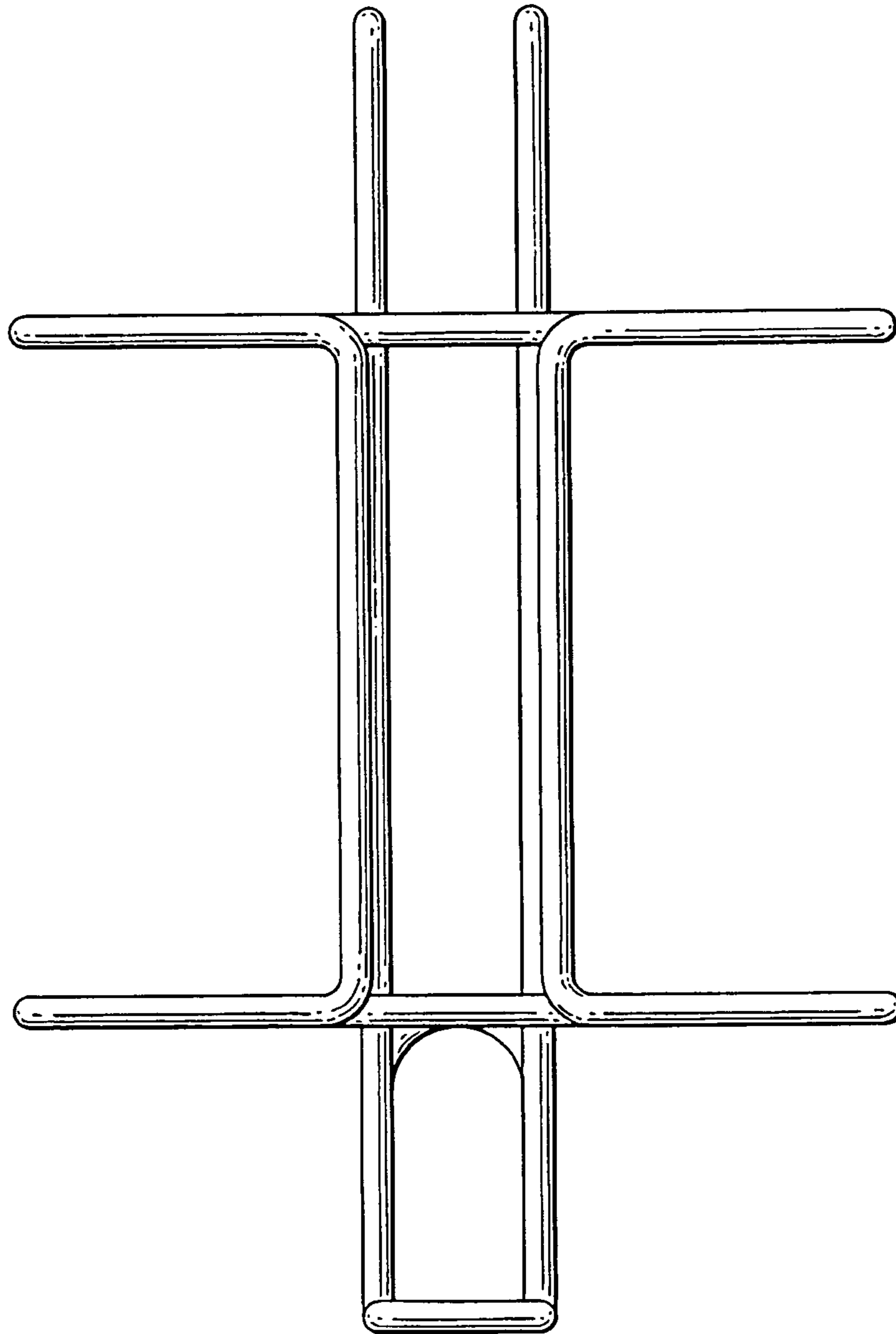


FIG.6

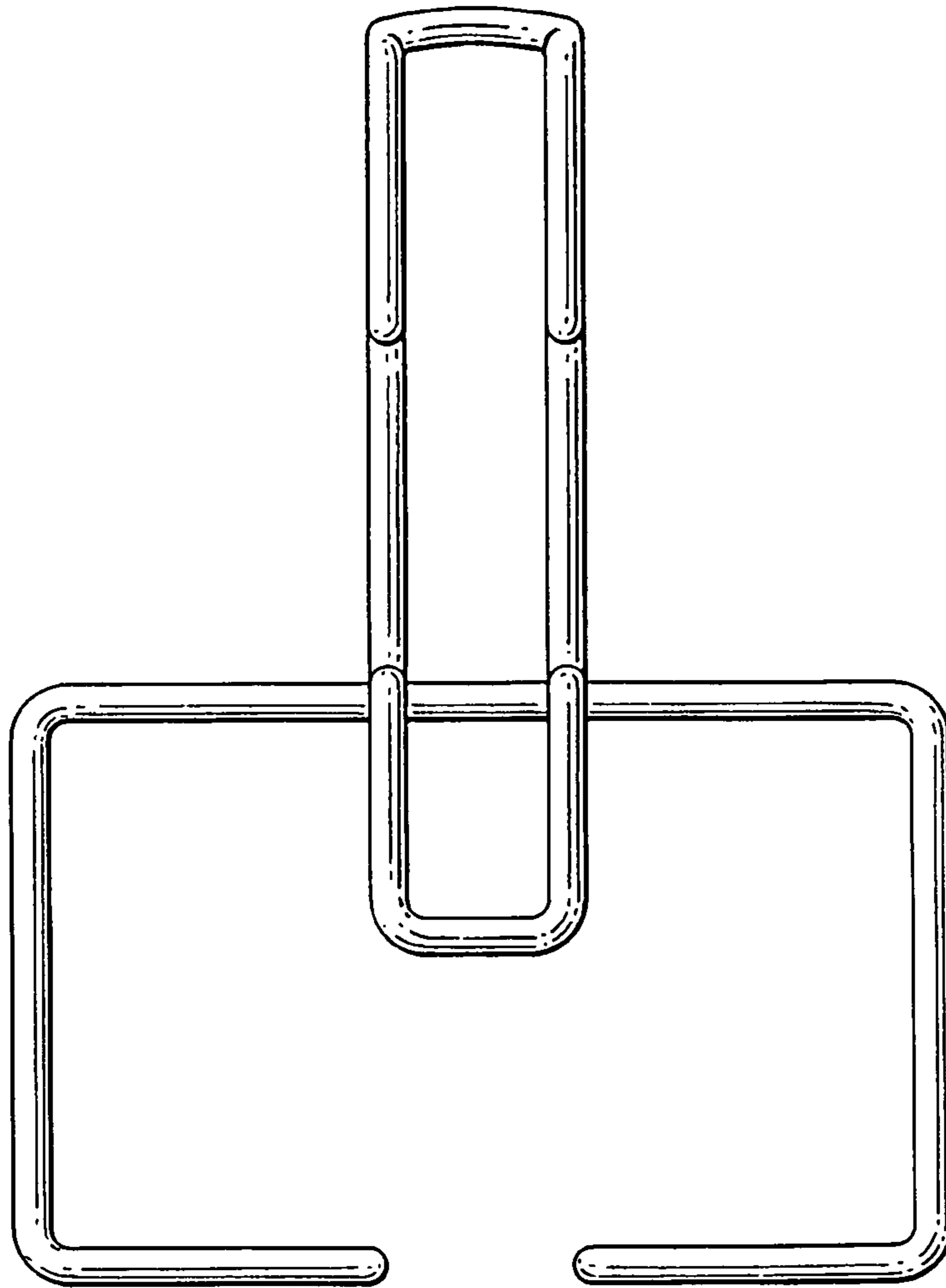


FIG. 7