



US00D695972S

(12) **United States Design Patent**
Lipscomb

(10) **Patent No.:** **US D695,972 S**
(45) **Date of Patent:** **** Dec. 17, 2013**

(54) **PET FOUNTAIN COVER**

(71) Applicant: **Pioneer Pet Products, LLC**, Cedarburg, WI (US)

(72) Inventor: **John M. Lipscomb**, Cedarburg, WI (US)

(73) Assignee: **Pioneer Pet Products, LLC**, Cedarburg, WI (US)

(**) Term: **14 Years**

(21) Appl. No.: **29/448,957**

(22) Filed: **Mar. 14, 2013**

Related U.S. Application Data

(63) Continuation of application No. 13/653,006, filed on Oct. 16, 2012.

(51) **LOC (9) Cl.** **30-03**

(52) **U.S. Cl.**
USPC **D30/132**

(58) **Field of Classification Search**
USPC D30/123, 129, 132, 121; 119/69.5, 673, 119/57.8, 68, 74, 61.57, 78-81, 61.4, 57.9, 119/51.5, 61.5, 72; 47/66.6, 39, 67, 83; 239/27, 280, 200, 281, 280.5, 273, 16, 239/17, 20, 22; 4/644, 627, 638; D7/558; D11/144, 145, 153; D99/5, 24; 27/1; D23/201, 292; 248/127, 132, 137, 138, 248/158, 910; 215/10; D6/353, 352, 484, D6/360, 480, 488; 219/521; 329/442, 459
See application file for complete search history.

(56) **References Cited**

U.S. PATENT DOCUMENTS

2,103,653 A * 12/1937 Weil 239/23
D182,973 S * 6/1958 Reinecke D7/505

4,022,160 A * 5/1977 Lester 119/51.01
4,309,962 A * 1/1982 Boozer 119/74
4,469,049 A * 9/1984 Waynick 119/76
4,559,905 A * 12/1985 Ahrens 119/73
4,584,966 A * 4/1986 Moore 119/73
5,195,462 A * 3/1993 Gustin 119/75
5,207,182 A * 5/1993 Lorenzana 119/77
5,501,178 A * 3/1996 Kemp 119/74
D383,571 S * 9/1997 Frodsham D30/132
5,738,039 A * 4/1998 Berman et al. 119/77
5,799,609 A * 9/1998 Burns et al. 119/74
6,055,934 A * 5/2000 Burns et al. 119/74
6,526,916 B1 * 3/2003 Perlsweig 119/74
D514,751 S * 2/2006 Plante D30/130
7,089,881 B2 * 8/2006 Plante 119/74
7,270,082 B2 * 9/2007 Plante 119/74
7,731,841 B1 * 6/2010 Tennyson, Jr. 210/151
D637,770 S * 5/2011 Lipscomb et al. D30/132
D642,746 S * 8/2011 Weber D30/132
D659,300 S * 5/2012 Lipscomb D30/132
D659,301 S * 5/2012 Lipscomb et al. D30/132
D659,914 S * 5/2012 Lipscomb D30/132
D665,134 S * 8/2012 Lipscomb et al. D30/132

(Continued)

Primary Examiner — Susan Moon Lee

(74) *Attorney, Agent, or Firm* — Boyle Fredrickson, S.C.

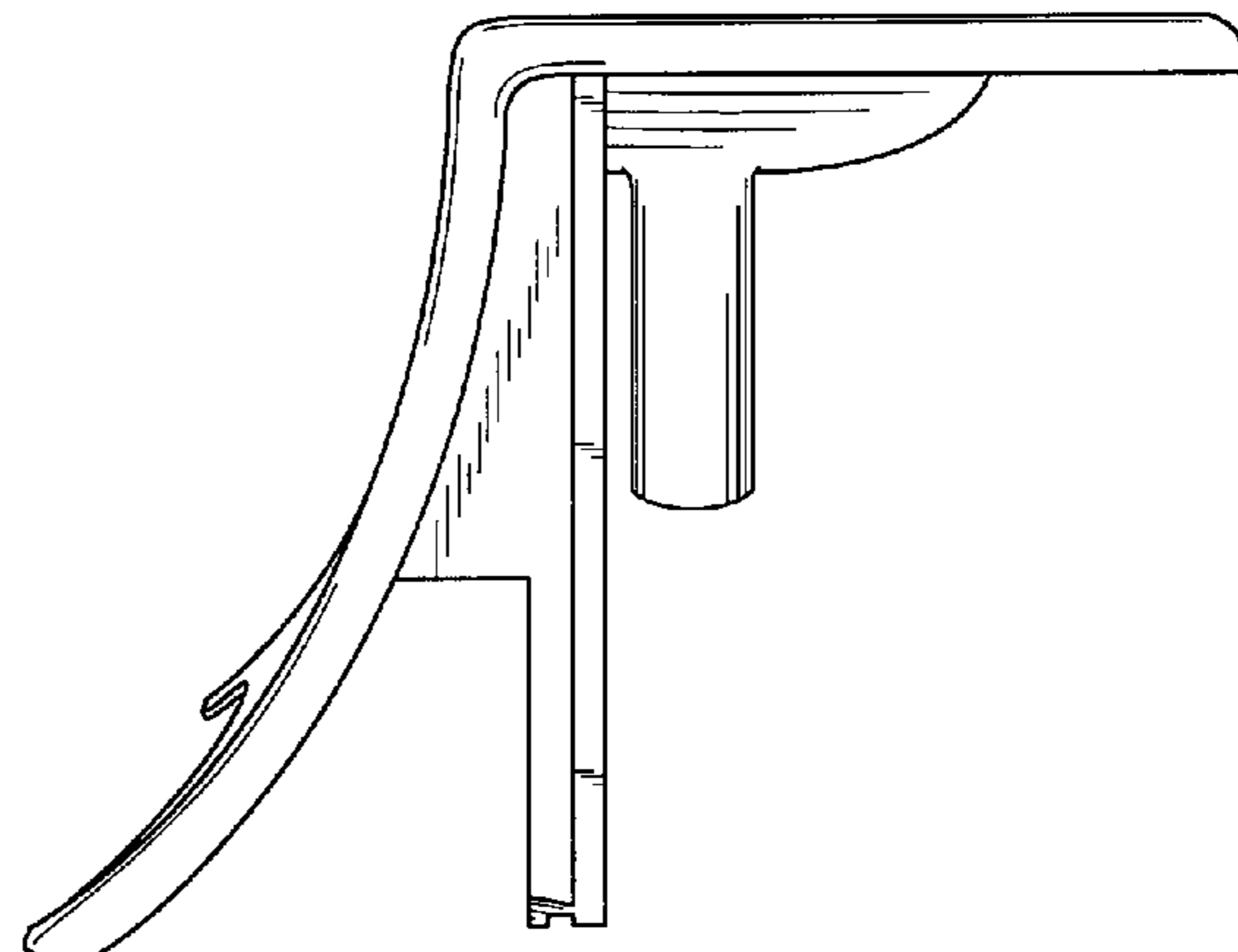
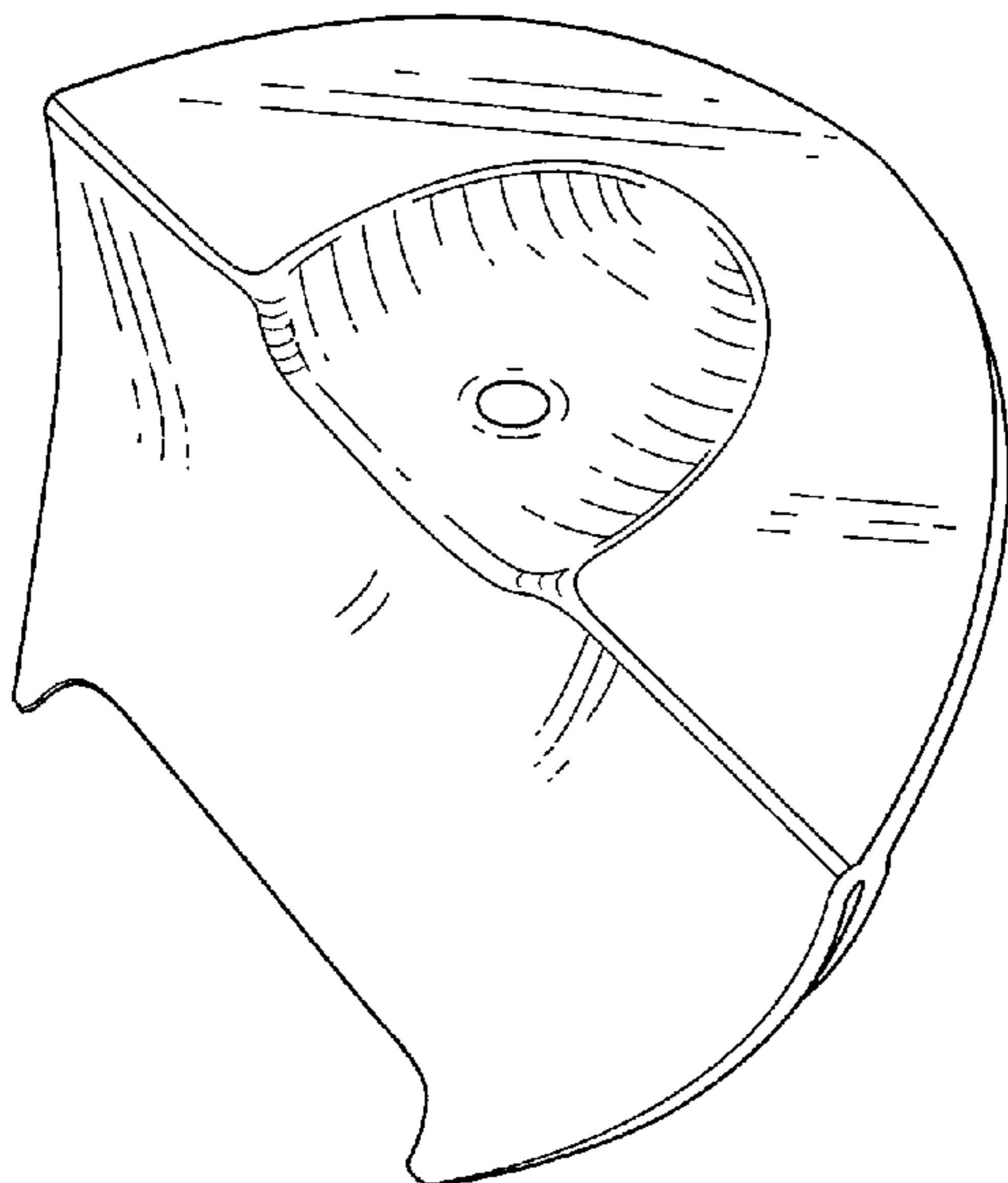
(57) **CLAIM**

The ornamental design for a pet fountain cover, as shown and described.

DESCRIPTION

FIG. 1 is a top, front and right side perspective view of a pet fountain cover showing my new design;
FIG. 2 is a top view thereof;
FIG. 3 is a bottom view thereof;
FIG. 4 is a front elevation view thereof;
FIG. 5 is a rear elevation view thereof; and,
FIG. 6 is a right side elevation view thereof, the left side being a mirror image of the right side shown.

1 Claim, 3 Drawing Sheets



(56)

References Cited

U.S. PATENT DOCUMENTS

8,261,696	B1 *	9/2012	Lipscomb et al.	119/74	2008/0230009	A1 *	9/2008	Craig	119/73
8,381,685	B2 *	2/2013	Lipscomb et al.	119/74	2010/0300366	A1 *	12/2010	Lipscomb et al.	119/74
2004/0262417	A1 *	12/2004	Proch	239/20	2011/0067638	A1 *	3/2011	Lipscomb et al.	119/74
2005/0166853	A1 *	8/2005	Plante	119/74	2011/0114026	A1 *	5/2011	Lathim	119/72
2006/0174838	A1 *	8/2006	Plante	119/74	2011/0259273	A1 *	10/2011	Lipscomb et al.	119/74
						2012/0137979	A1 *	6/2012	Lipscomb et al.	119/74
						2013/0087102	A1 *	4/2013	Lipscomb et al.	119/74

* cited by examiner

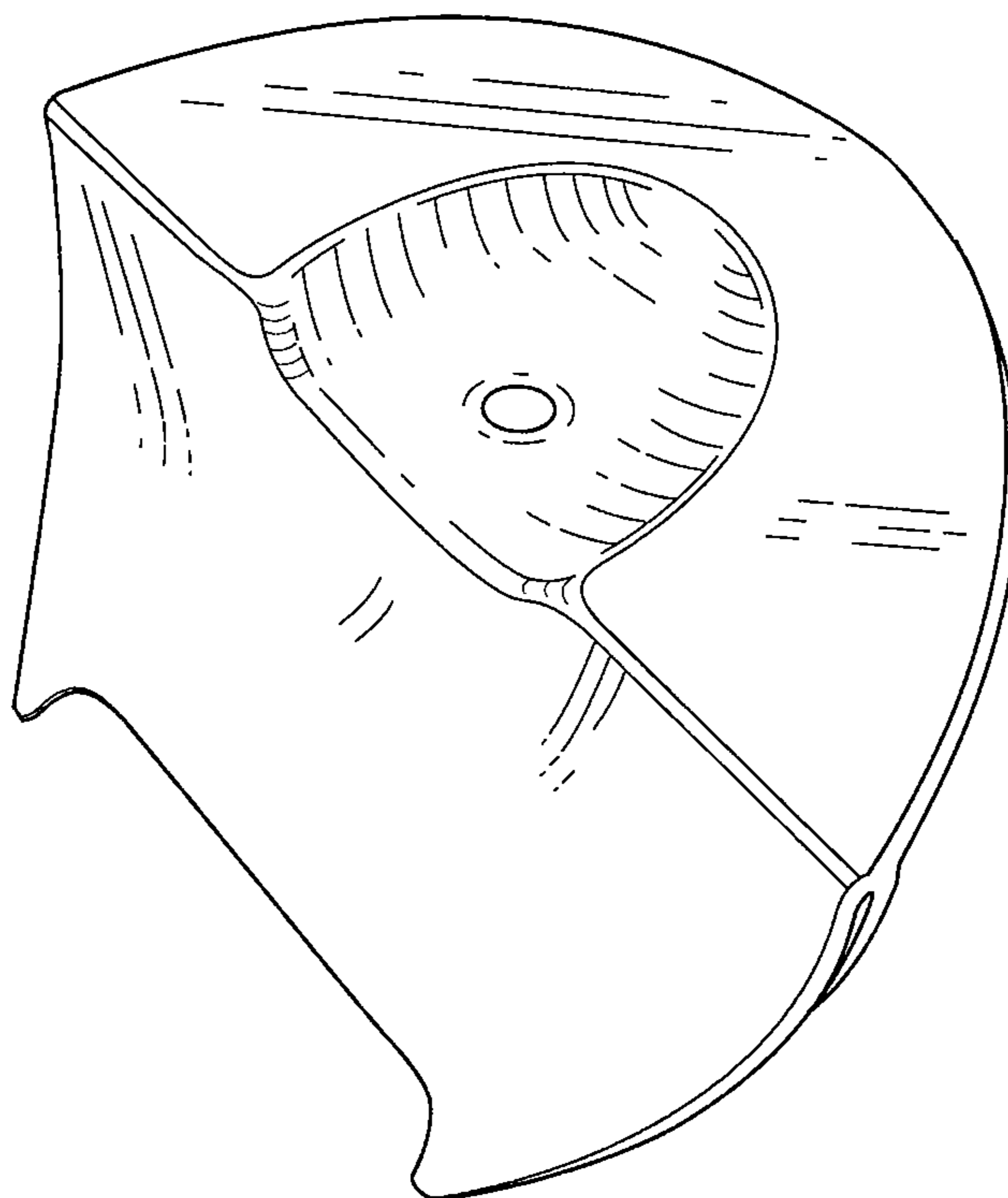


FIG. 1

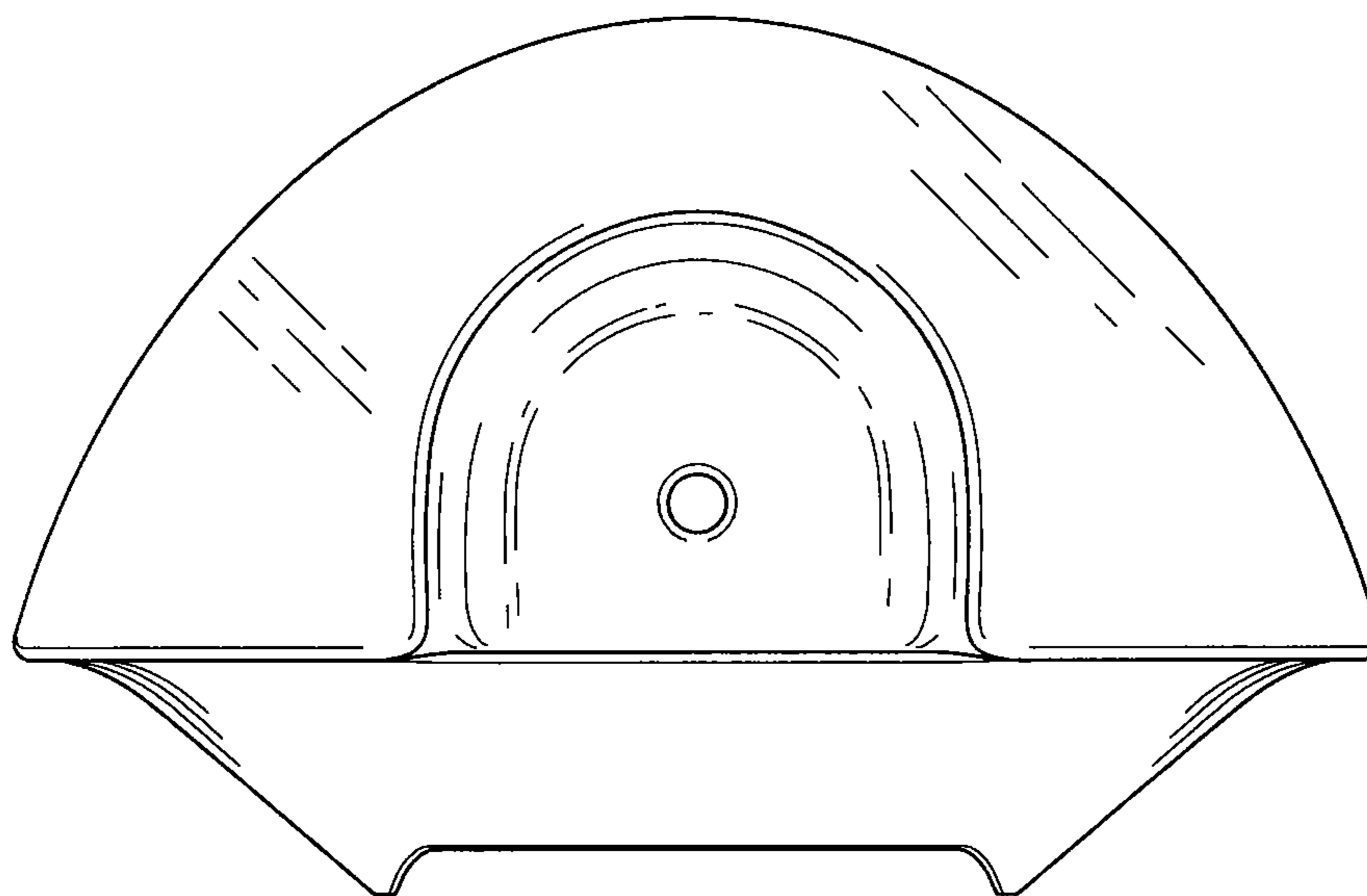


FIG. 2

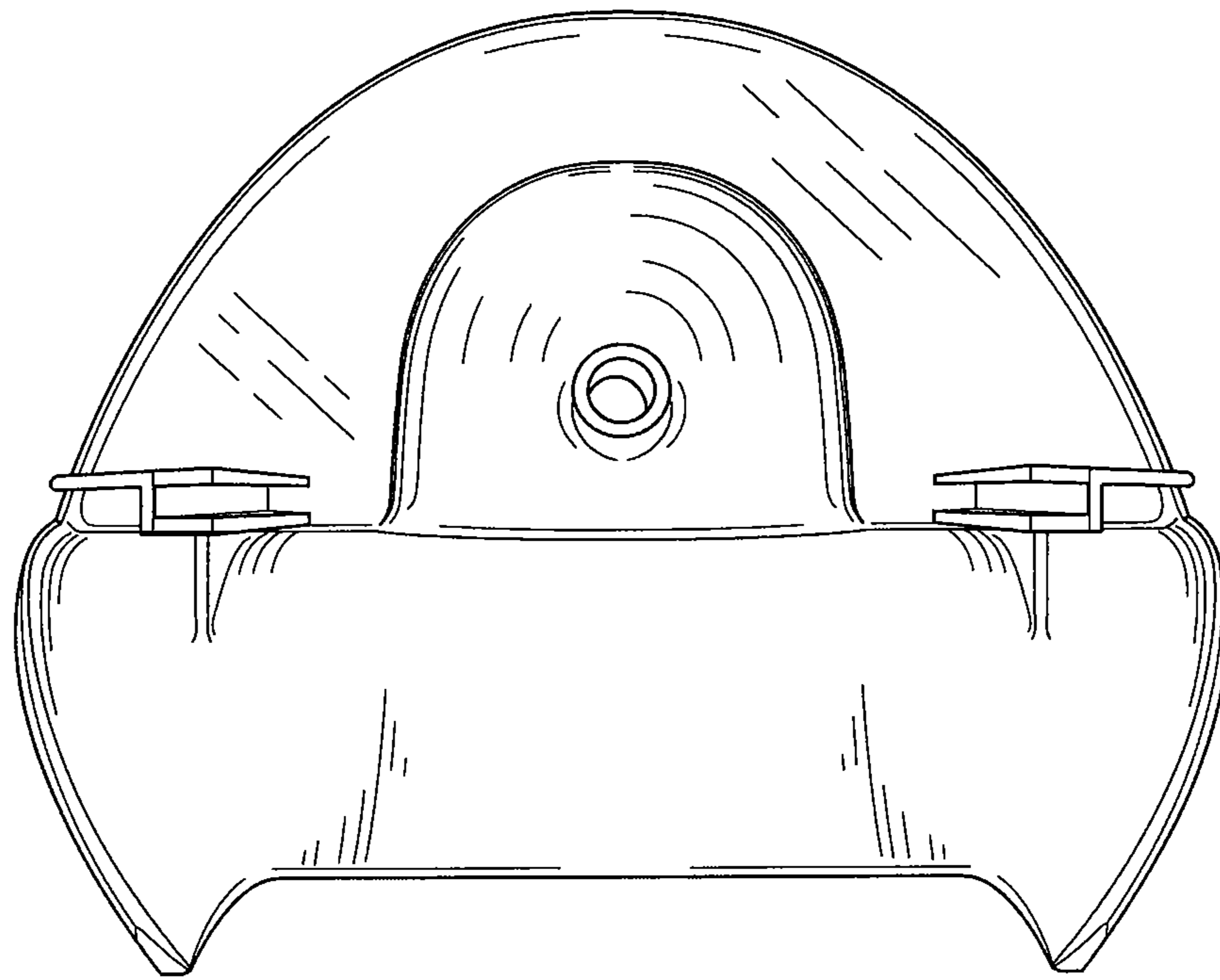


FIG. 3

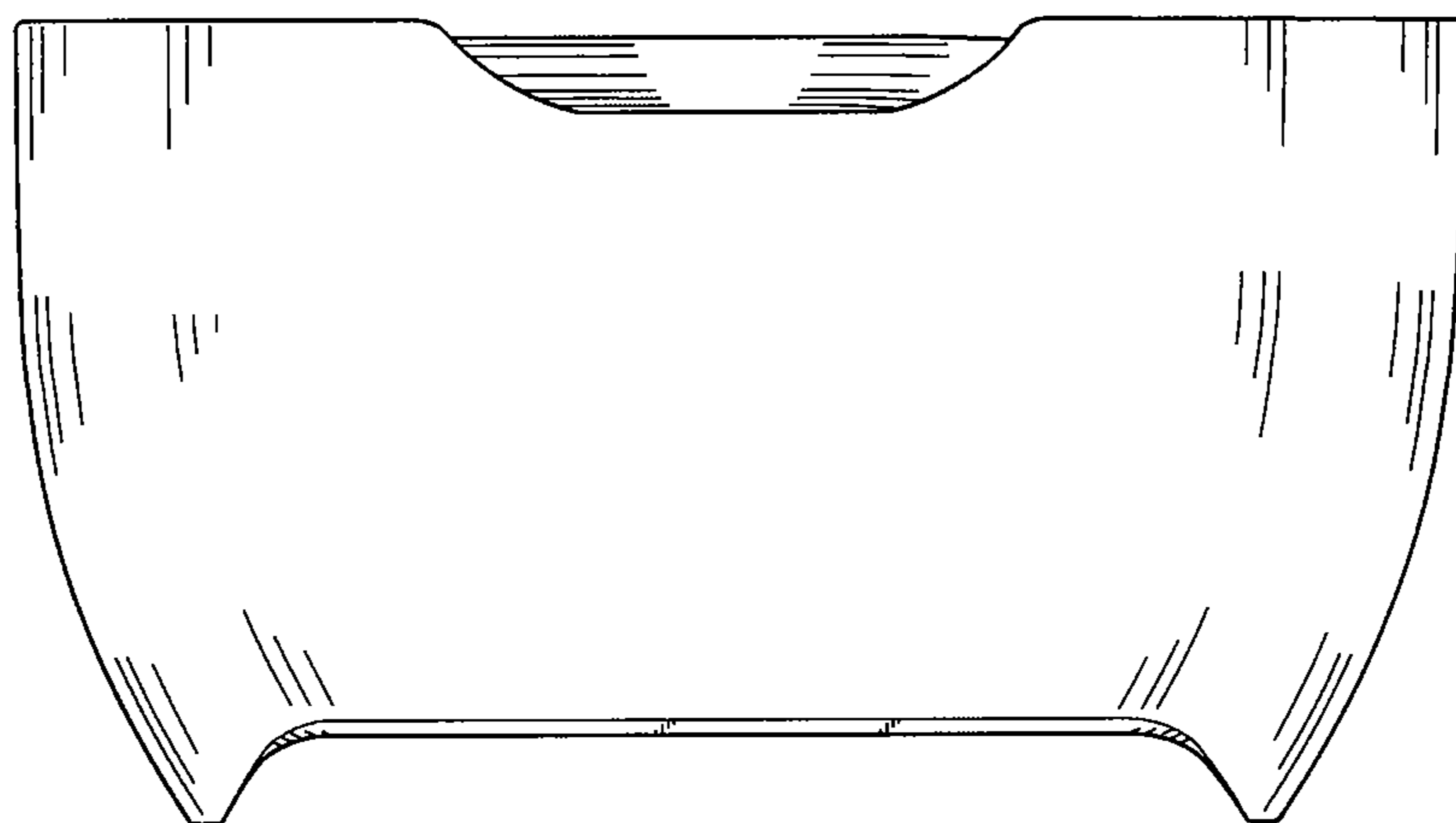


FIG. 4

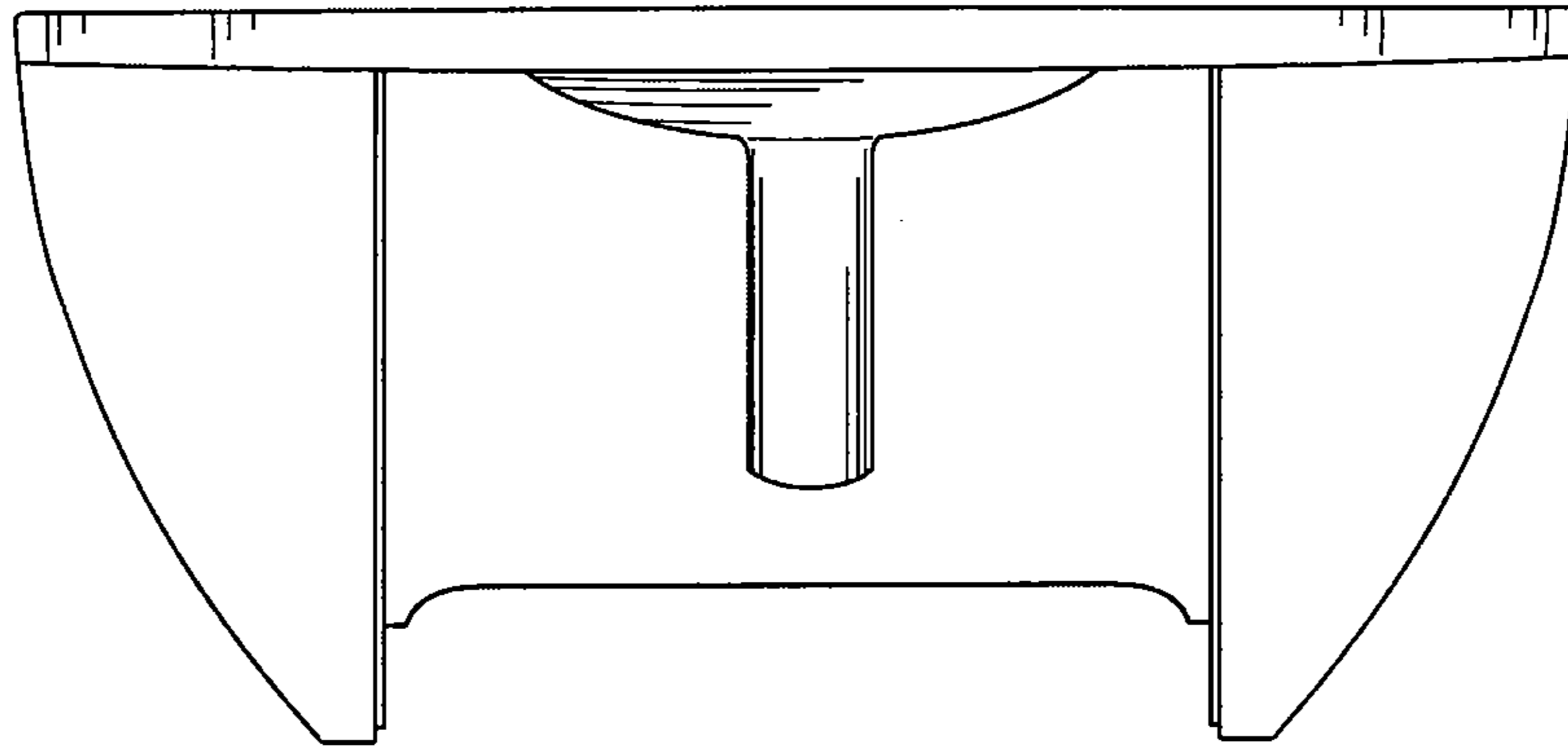


FIG. 5

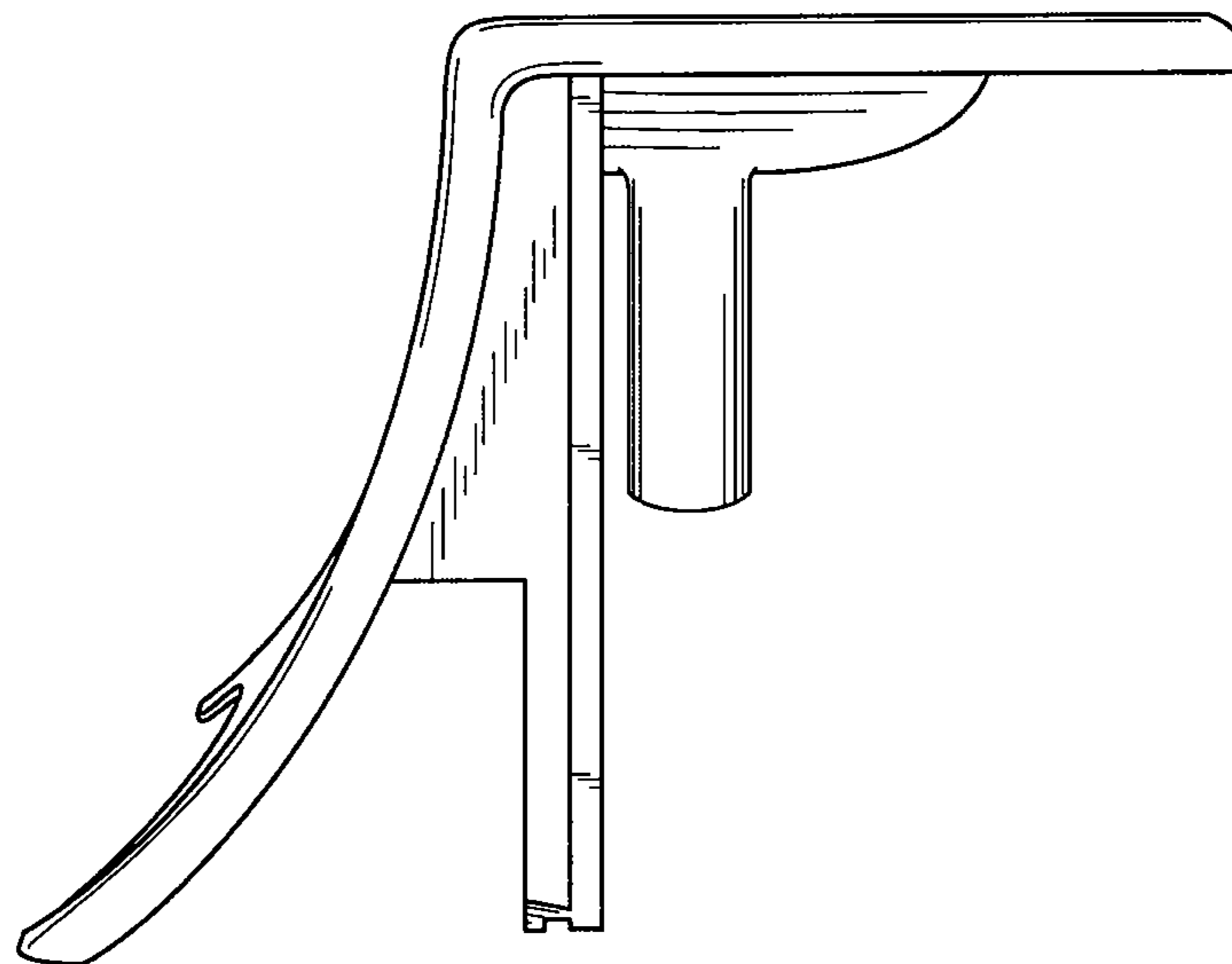


FIG. 6