

US00D695971S

(12) **United States Design Patent**
Chism

(10) **Patent No.:** **US D695,971 S**
(45) **Date of Patent:** **** Dec. 17, 2013**

(54) **ANIMAL FEEDER**

(71) Applicant: **Stanley Howard Chism**, Odessa, TX
(US)

(72) Inventor: **Stanley Howard Chism**, Odessa, TX
(US)

(**) Term: **14 Years**

(21) Appl. No.: **29/452,678**

(22) Filed: **Apr. 19, 2013**

(51) **LOC (9) Cl.** **30-03**

(52) **U.S. Cl.**
USPC **D30/124; D30/127**

(58) **Field of Classification Search**
USPC D30/121, 124, 126-129, 133, 199,
D30/110-112, 123, 125; 119/52.2, 51.5,
119/61.5, 57.8, 57.9, 52.3, 61.1, 531, 63,
119/428-435, 52.4, 55, 61.3, 69.5, 75, 76;
47/67, 83; 248/318; D11/164, 152;
211/128.1; D27/123; D6/495, 460,
D6/461, 476, 405

See application file for complete search history.

(56) **References Cited**

U.S. PATENT DOCUMENTS

3,089,462	A *	5/1963	Brockmann	119/52.2
3,301,217	A	1/1967	Prowinsky	
3,568,641	A	3/1971	Kilham	
4,031,856	A	6/1977	Chester	
D245,715	S *	9/1977	Eldridge, Jr.	D30/127
D251,021	S *	2/1979	Blasbalg	D30/127
4,188,913	A	2/1980	Earl et al.	
4,223,637	A *	9/1980	Keefe	119/52.2
4,259,927	A	4/1981	Clarke	
D276,277	S *	11/1984	Bore	D30/124
4,628,865	A *	12/1986	Lehmann	119/57.9
4,738,221	A *	4/1988	Nock	119/52.2
D299,073	S *	12/1988	Bacon	D30/121
D300,276	S *	3/1989	Bore	D30/121
D300,378	S *	3/1989	Bore	D30/121

4,829,934	A	5/1989	Blasbalg	
4,966,098	A *	10/1990	Freeman	119/52.2
4,977,859	A *	12/1990	Kilham	119/52.2
4,996,947	A *	3/1991	Petrides	119/57.9
5,105,765	A *	4/1992	Loken	119/57.9
5,156,112	A *	10/1992	Brown	119/57.9
D331,198	S *	11/1992	Nickerson	D10/114.1
5,163,382	A *	11/1992	Morrison	119/57.9
5,195,460	A	3/1993	Loken	
5,207,181	A *	5/1993	Loken	119/57.9
5,293,835	A *	3/1994	Shagoury	119/57.9
D352,135	S *	11/1994	Jones, Sr.	D30/121
D362,784	S *	10/1995	Sperry et al.	D7/396.6
D378,745	S *	4/1997	Hollis	D10/109.1

(Continued)

Primary Examiner — Susan Moon Lee

(74) *Attorney, Agent, or Firm* — Christopher Wood; Premier Law Group, PLLC

(57) **CLAIM**

The ornamental design for an animal feeder, as substantially shown and described.

DESCRIPTION

FIG. 1 is a front perspective view of an animal feeder showing my new design;

FIG. 2 is a rear perspective view thereof;

FIG. 3 is a bottom perspective view thereof;

FIG. 4 is a top plan view thereof;

FIG. 5 is a bottom plan view thereof;

FIG. 6 is a front plan view thereof;

FIG. 7 is a rear plan view thereof;

FIG. 8 is a left plan view thereof;

FIG. 9 is a right plan view thereof;

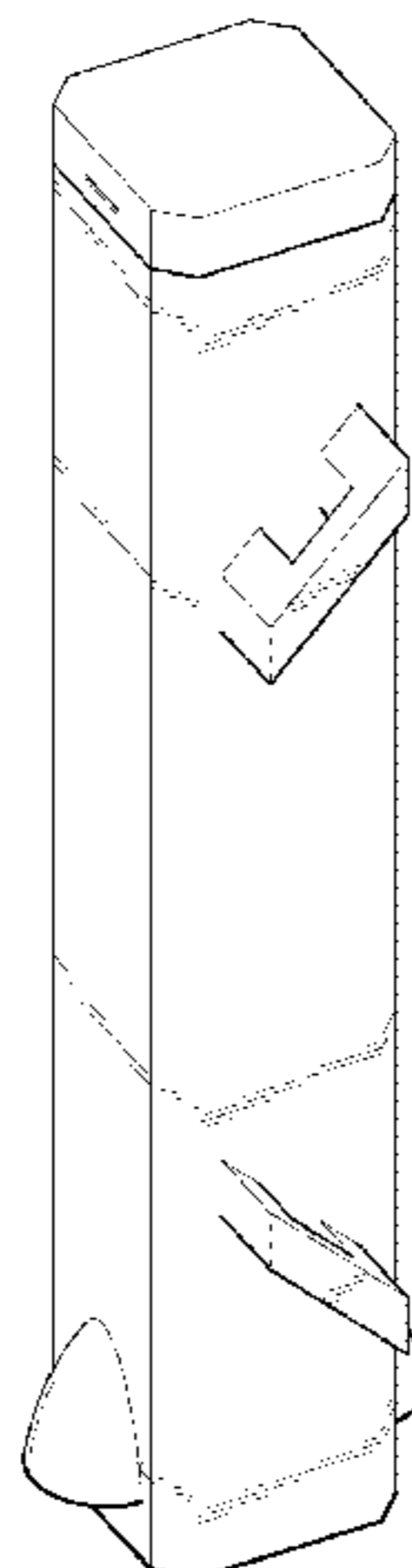
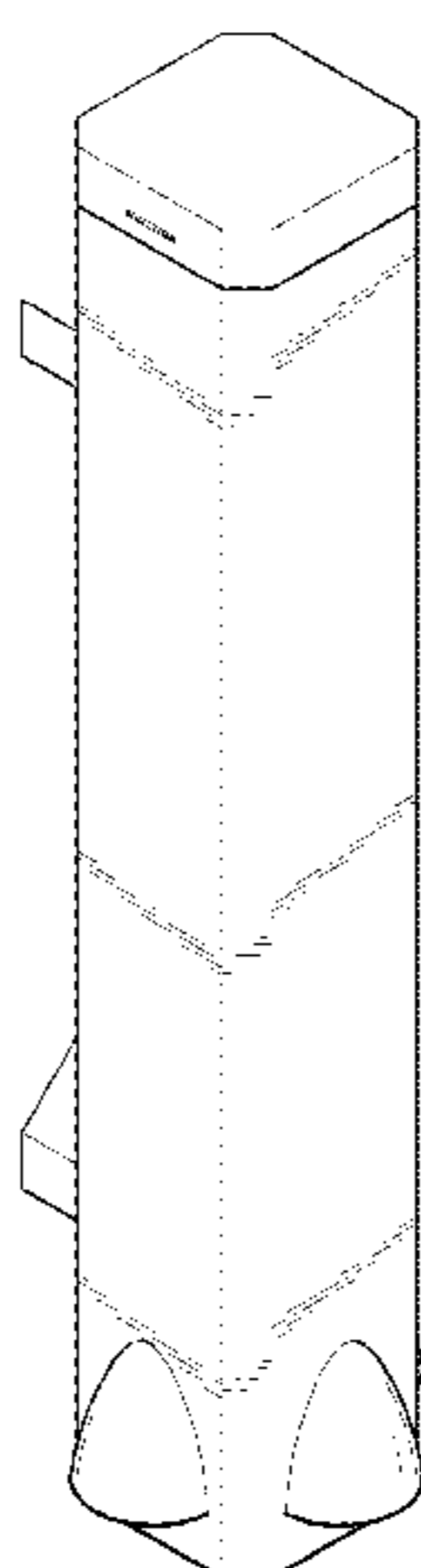
FIG. 10 is a front environmental view thereof;

FIG. 11 is a side environmental view thereof; and,

FIG. 12 is a rear environmental view thereof.

The broken lines in FIGS. 10 through 12 and pet food spilling out of the bottom of the animal feeder in FIGS. 10 through 12 are for illustrative purposes only and form no part of the claimed design.

1 Claim, 11 Drawing Sheets



(56)

References Cited

U.S. PATENT DOCUMENTS

5,642,689	A *	7/1997	Harvey	119/57.8	6,401,658	B1	6/2002	Teets	
5,678,507	A *	10/1997	Kassner	119/57.9	6,408,788	B1 *	6/2002	Lieb et al.	119/52.2
5,722,344	A *	3/1998	Rank	119/57.8	6,584,932	B2 *	7/2003	Rogers et al.	119/57.9
D397,527	S *	8/1998	Bruder et al.	D30/121	6,843,204	B2 *	1/2005	Peltier	119/57.8
5,826,540	A *	10/1998	Bridges	119/52.3	D522,184	S *	5/2006	Tippetts	D30/121
D407,173	S *	3/1999	Marshall	D30/124	7,093,562	B2 *	8/2006	Smothers	119/72
D410,588	S *	6/1999	Camposeo et al.	D10/114.6	D535,445	S *	1/2007	Obenshain	D30/121
D414,902	S *	10/1999	Carpenter	D30/124	D539,991	S *	4/2007	Petrie et al.	D30/127
D420,176	S *	2/2000	Heinzeroth	D30/127	7,377,230	B2 *	5/2008	Conley	119/429
D421,159	S *	2/2000	Kreusser	D30/124	7,418,923	B1 *	9/2008	Banyas et al.	119/57.9
6,024,048	A	2/2000	Potente		7,726,259	B2 *	6/2010	Hepp et al.	119/57.9
D421,509	S *	3/2000	Carpenter	D30/110	D620,782	S *	8/2010	Wurdack	D8/363
6,213,054	B1 *	4/2001	Marshall	119/57.8	2002/0194803	A1 *	12/2002	Mitchell	52/297
					2004/0216683	A1 *	11/2004	Peltier	119/57.8
					2004/0216684	A1 *	11/2004	Obenshain	119/57.9
					2011/0226186	A1 *	9/2011	Hunter et al.	119/52.2

* cited by examiner

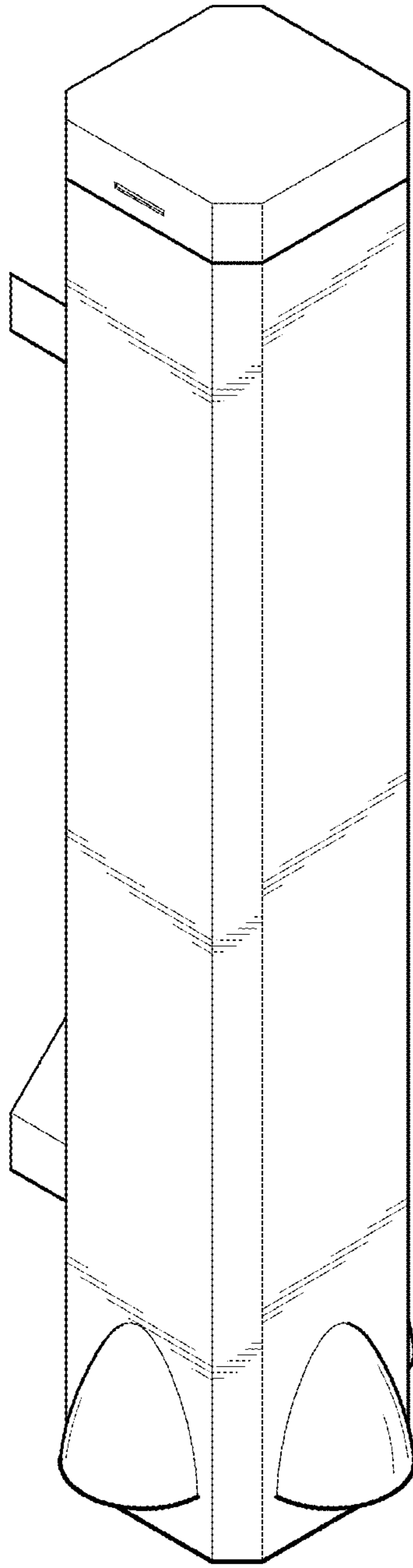


FIG. 1

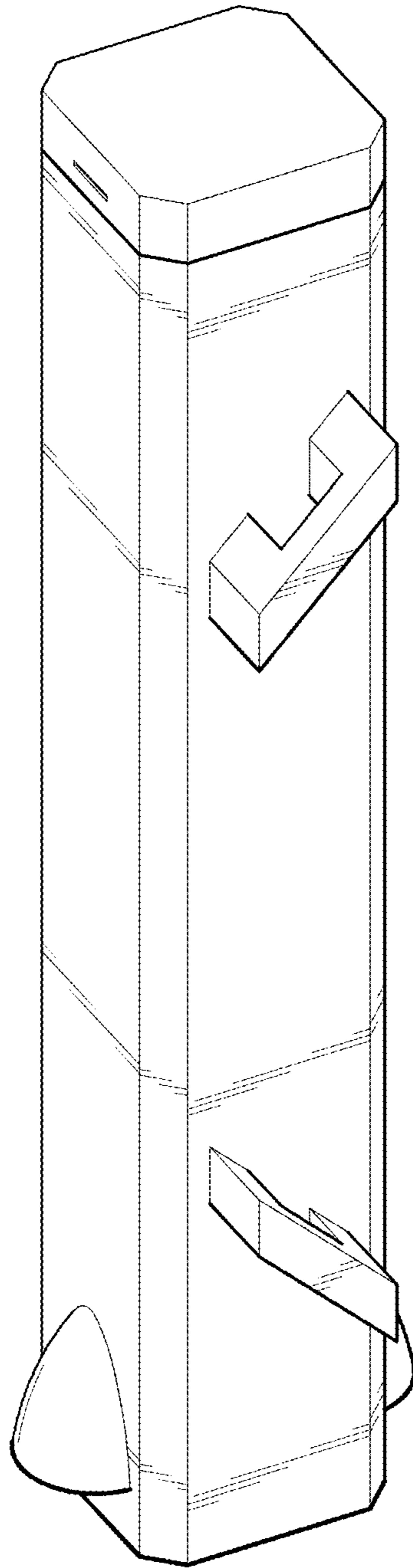


FIG. 2

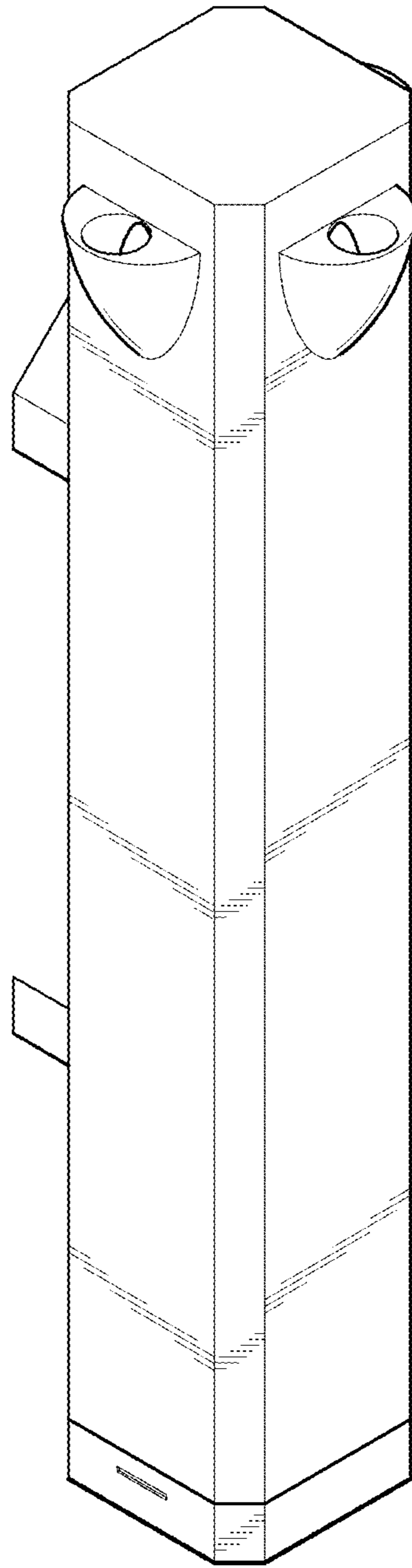


FIG. 3

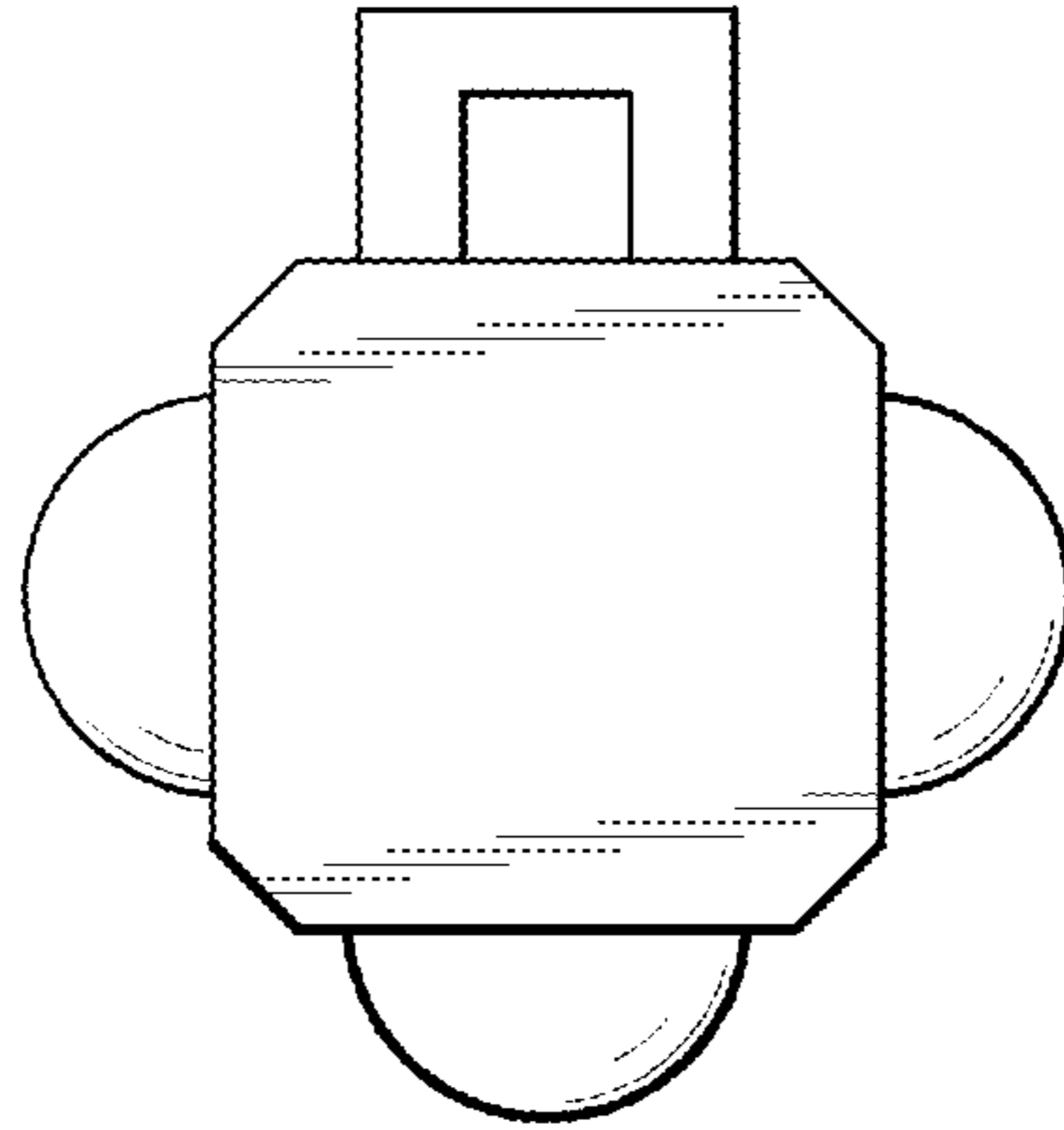


FIG. 4

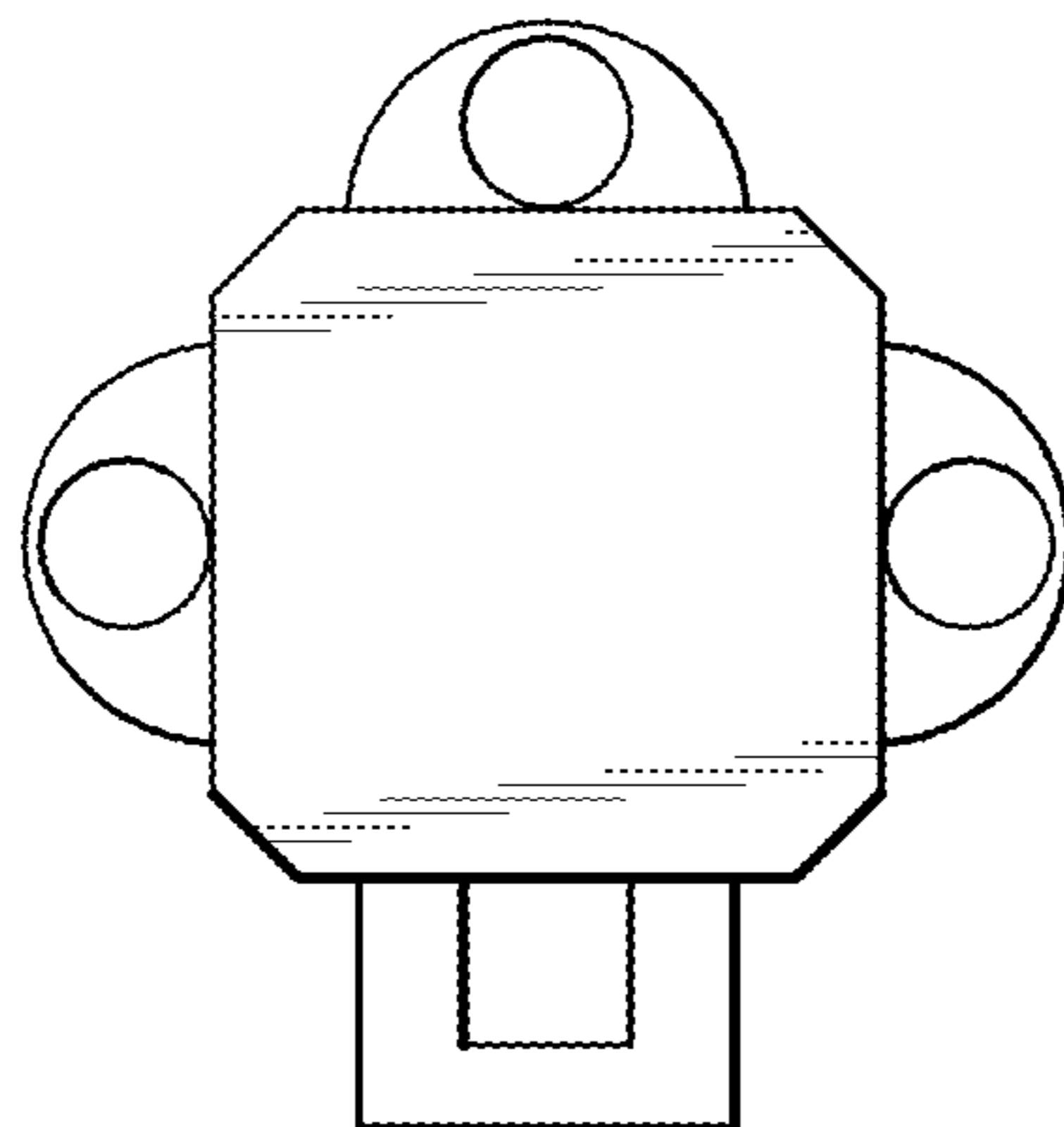


FIG. 5

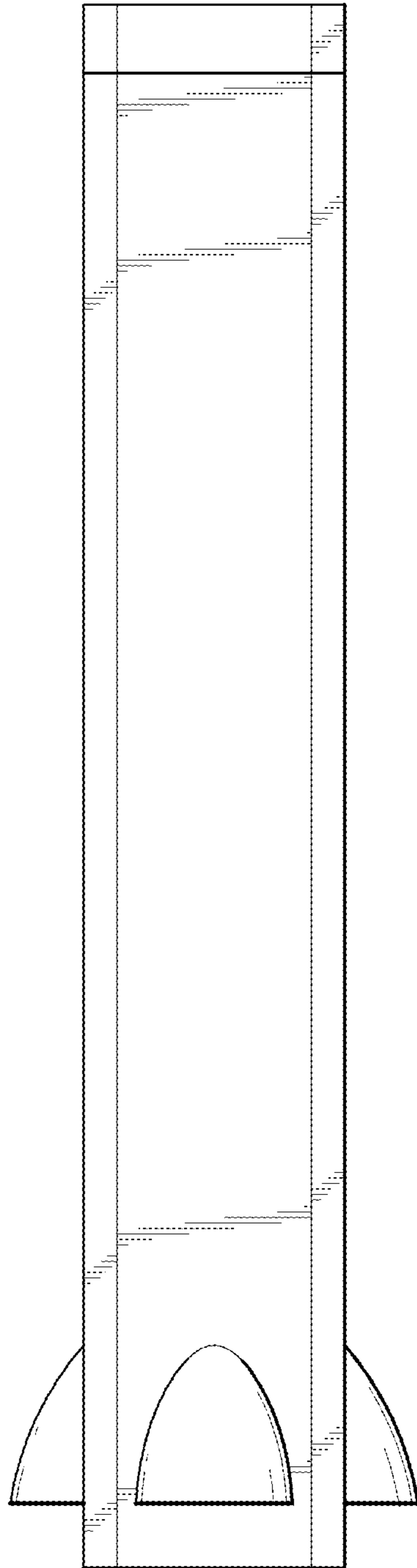


FIG. 6

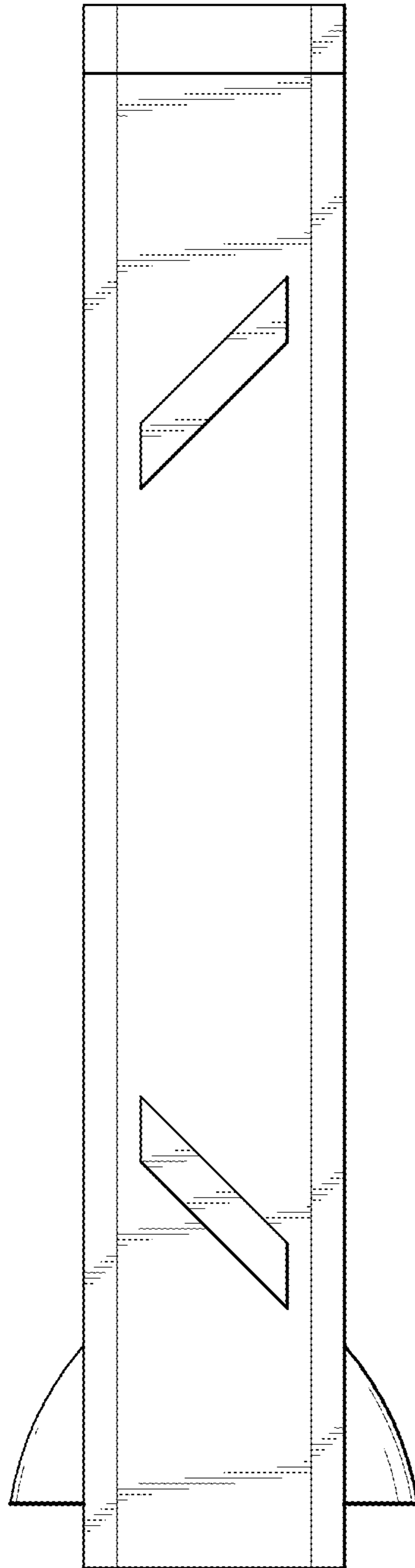


FIG. 7

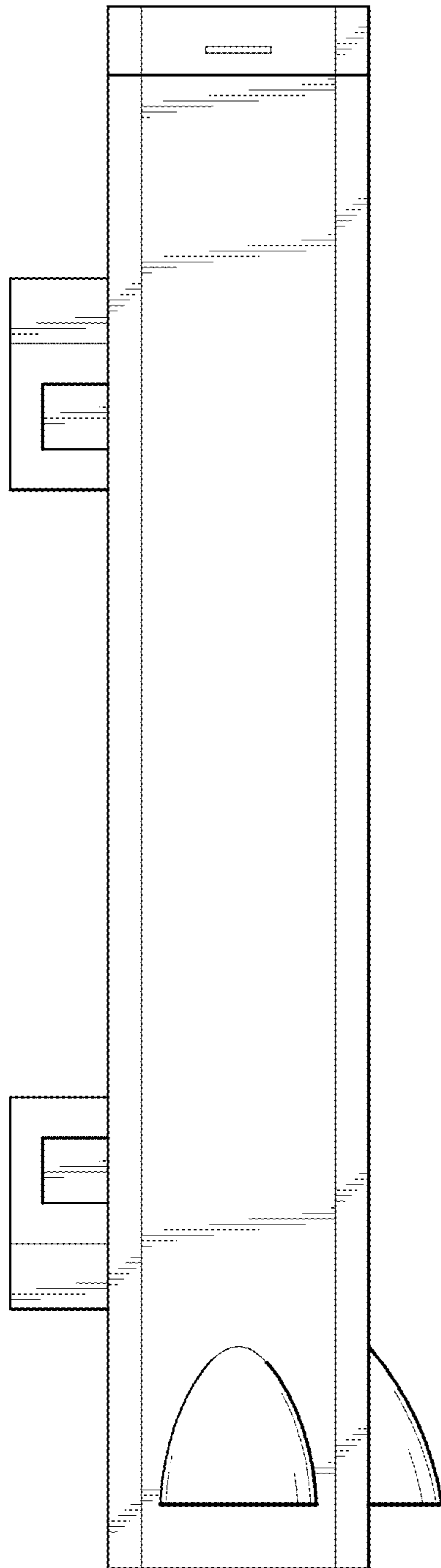


FIG. 8

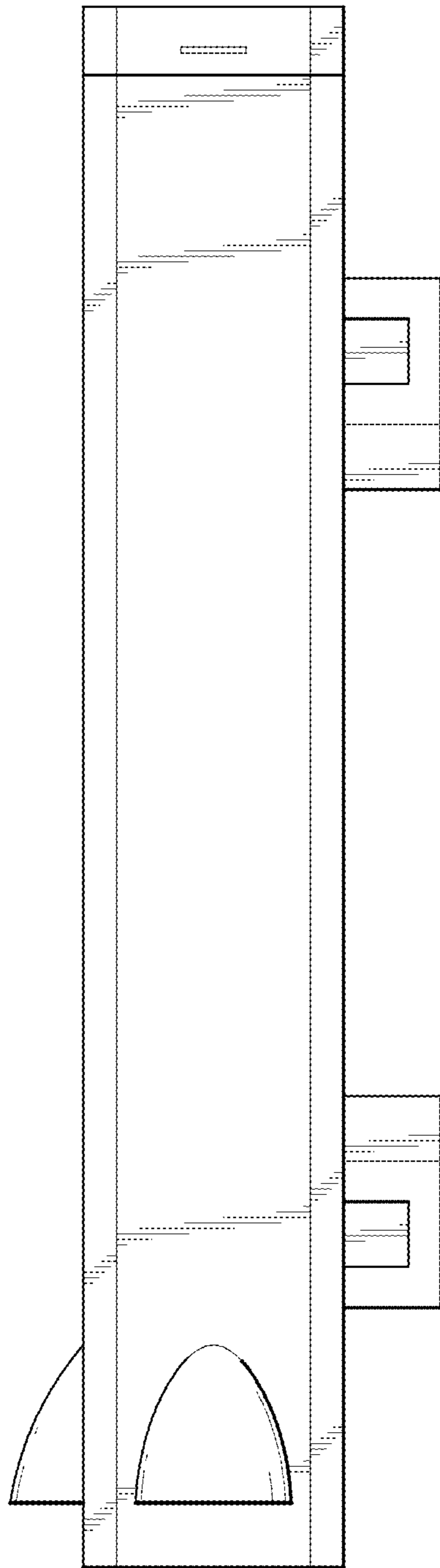


FIG. 9

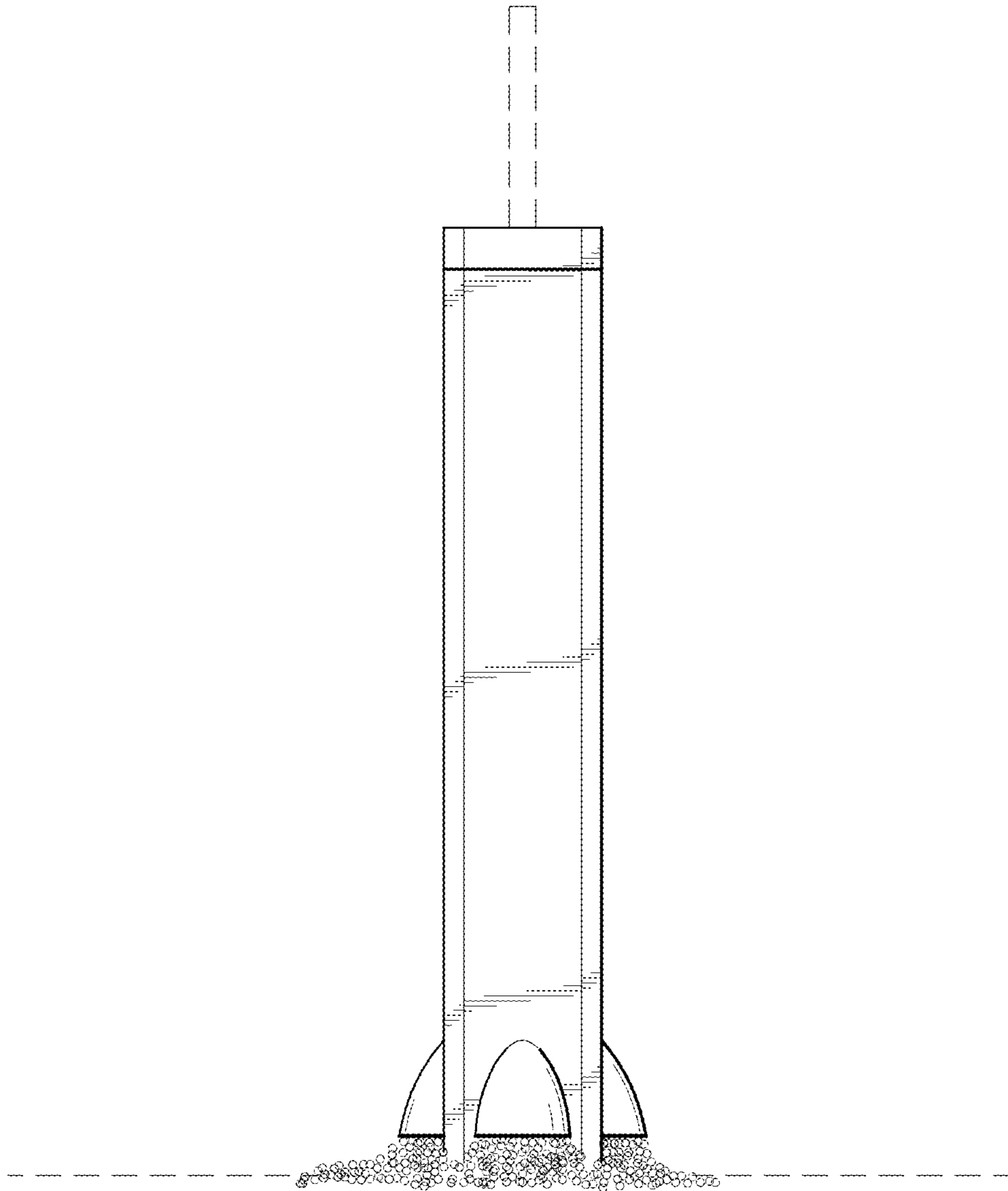


FIG. 10

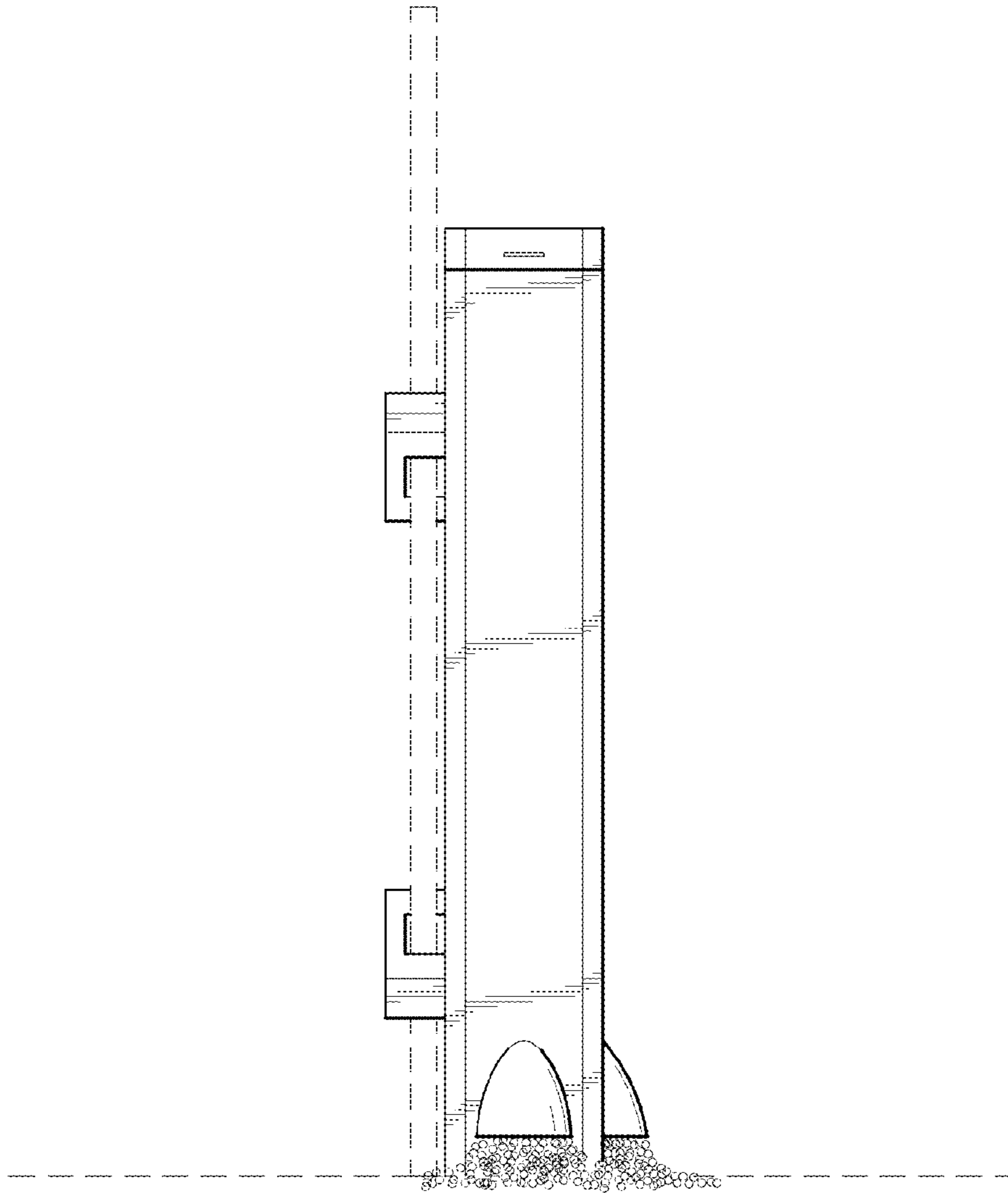


FIG. 11

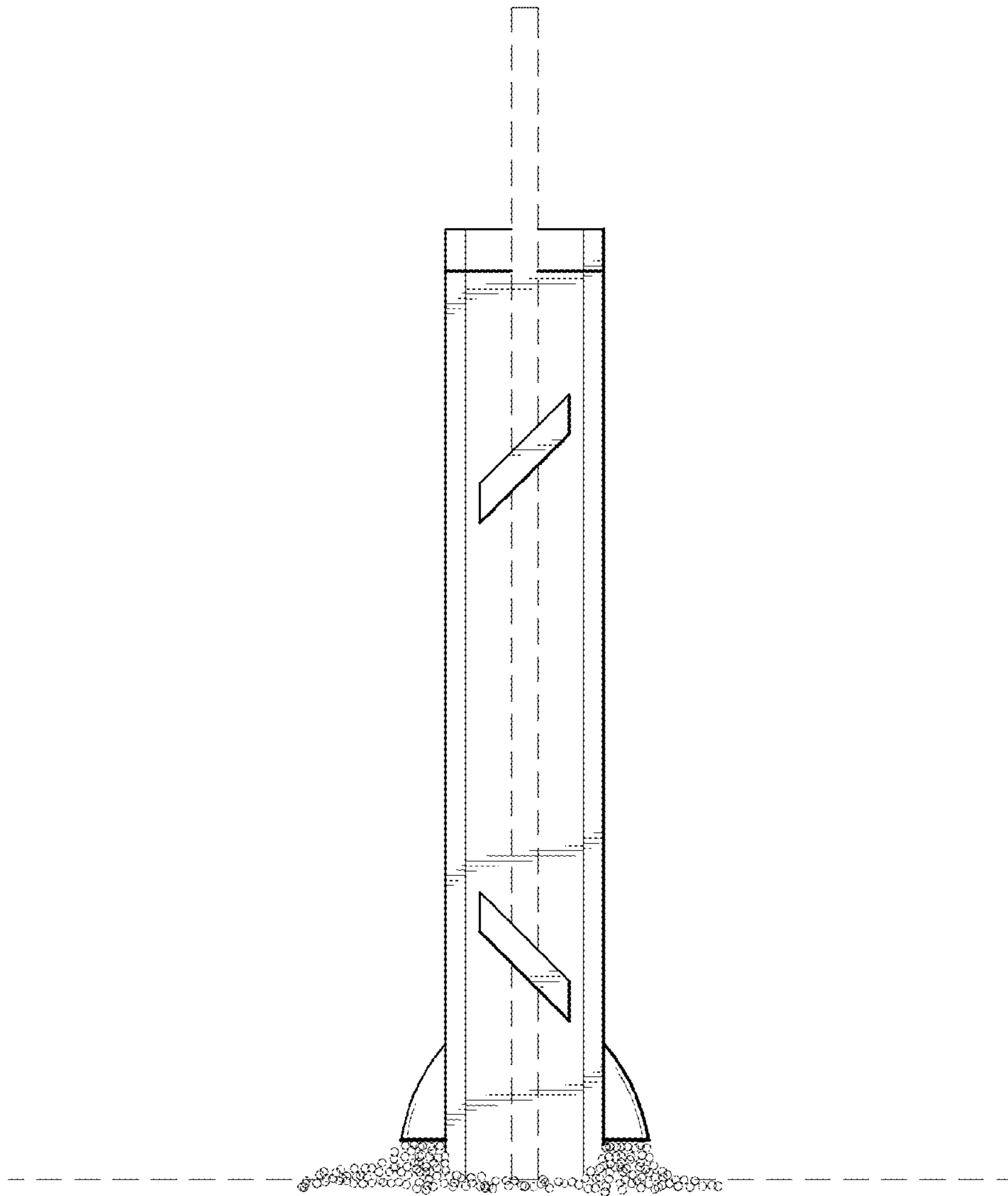


FIG. 12