



US00D695970S

(12) **United States Design Patent**
Beinke

(10) **Patent No.:** **US D695,970 S**

(45) **Date of Patent:** **** Dec. 17, 2013**

(54) **LEASH**

(76) Inventor: **Jennifer Beinke**, Santa Barbara, CA
(US)

(**) Term: **14 Years**

(21) Appl. No.: **29/402,570**

(22) Filed: **Sep. 23, 2011**

(51) **LOC (9) Cl.** **30-03**

(52) **U.S. Cl.**
USPC **D30/121**

(58) **Field of Classification Search**

USPC 318/257; D30/154, 160, 151, 199, 153,
D30/152; 119/707-712, 786-788, 791, 780,
119/782, 769-771, 792-799, 758, 760, 784,
119/802, 856, 857, 863, 865, 719, 859, 908,
119/776; D21/791, 840; D8/1, 14, 47;
248/121, 521, 545, 499, 145, 156, 508,
248/530, 125.1, 125.3, 125.8, 690;
211/205; 52/155, 166, 157, 162, 163;
135/118; 403/360, 378; 473/149, 147;
D26/138; 362/401; 410/101;
405/259.1, 244; 182/3; 24/523, 525,
24/299, 594.11, DIG. 35, 3.2, 600.7, 905;
D24/199; 54/71, 34; 267/113, 136, 34,
267/70-72; 16/66; 340/573.3, 668;
294/82.34, 19.1; 114/221 R; 441/75;
128/878, 882, DIG. 15;
D29/120.1-120.2, 100, 101.1; D2/627,
D2/624, 631

See application file for complete search history.

(56) **References Cited**

U.S. PATENT DOCUMENTS

7,068 A * 2/1850 Day et al. 231/4
137,341 A * 4/1873 Bush 231/4
153,724 A * 8/1874 Schmidt 54/34
273,319 A * 3/1883 Schriek 231/4
287,234 A * 10/1883 Chapman 24/1

360,718 A * 4/1887 Moore 231/4
382,258 A * 5/1888 Harrington 231/2.1
398,965 A * 3/1889 Hunt 54/34
440,910 A * 11/1890 Budd et al. 54/34
502,954 A * 8/1893 Crepeau 54/34
562,752 A * 6/1896 Allen et al. 54/34
630,837 A * 8/1899 Anderson et al. 24/129 R
D36,163 S * 12/1902 Eiseman D2/627
D36,164 S * 12/1902 Eiseman D2/627
734,167 A * 7/1903 Gaisman 2/338
788,136 A * 4/1905 Heilrath 54/34
913,680 A * 3/1909 Belcher 267/71
1,037,782 A * 9/1912 Luecke 54/34
1,239,591 A * 9/1917 Hall 54/34
1,407,378 A * 2/1922 Callaghan et al. 57/237
1,674,585 A * 6/1928 Barbara 2/338
1,738,107 A * 12/1929 Luftig 2/338
1,771,912 A * 7/1930 Blaisdell 87/6
D81,947 S * 9/1930 Vizard D30/153
1,883,438 A * 10/1932 Adams 428/397
1,923,551 A * 8/1933 Murphy 428/37
2,092,638 A * 9/1937 Carpenter 224/103

(Continued)

Primary Examiner — Susan Moon Lee

(74) *Attorney, Agent, or Firm* — QuickPatents; Kevin Prince

(57) **CLAIM**

I claim the ornamental design for a leash, as shown and described.

DESCRIPTION

FIG. 1 is a perspective view of a leash, showing my new design;

FIG. 2 is an enlarged front elevational view thereof;

FIG. 3 is an enlarged rear elevational view thereof;

FIG. 4 is a right-side elevational view thereof;

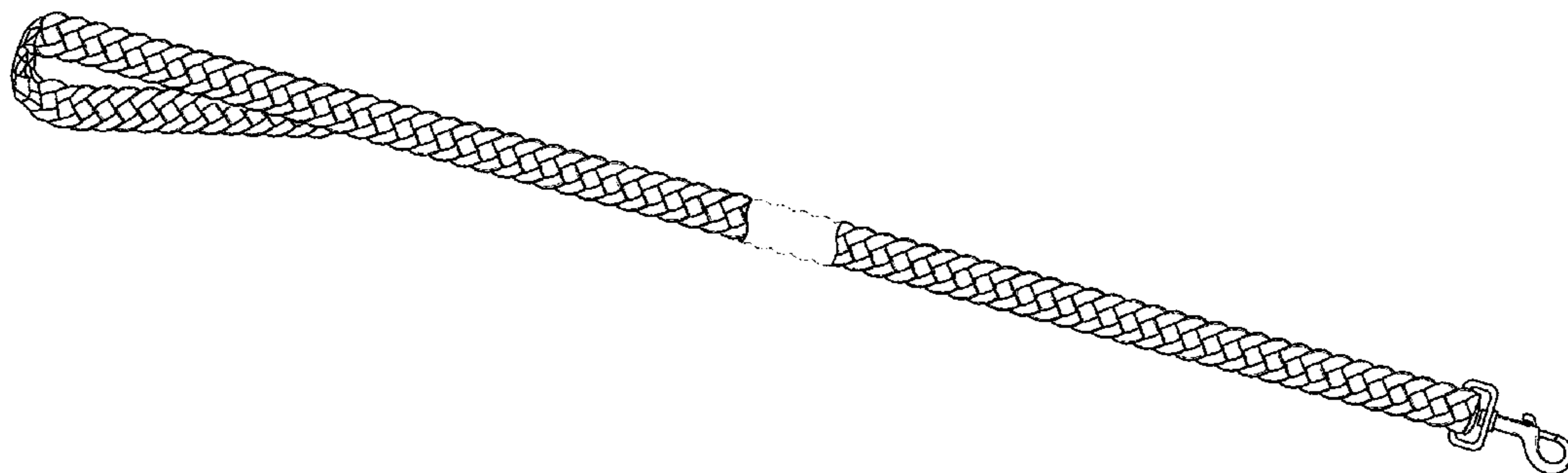
FIG. 5 is a left-side elevational view thereof;

FIG. 6 is a top plan view thereof; and,

FIG. 7 is a bottom plan view thereof.

The broken away showing in the middle portion of the leash indicates that the appearance of any portion of the article between the break lines forms no part of the claimed design.

1 Claim, 2 Drawing Sheets



(56)

References Cited

U.S. PATENT DOCUMENTS

2,137,770	A *	11/1938	De Francesco	87/8	5,243,457	A *	9/1993	Spencer	119/795
2,177,777	A *	10/1939	Madden et al.	87/8	5,511,293	A *	4/1996	Hubbard et al.	24/442
2,491,767	A *	12/1949	Robbins	87/8	D370,492	S *	6/1996	Torrey	D16/339
2,549,382	A *	4/1951	Mitterway	87/6	5,628,756	A *	5/1997	Barker et al.	606/139
D175,316	S *	8/1955	Roccia	D30/153	D385,415	S *	10/1997	Turbide	D3/207
2,757,110	A *	7/1956	Kalbach	428/37	5,701,848	A *	12/1997	Tozawa	119/797
2,821,168	A *	1/1958	Forbes	119/795	5,711,255	A *	1/1998	Rudolph	119/793
2,949,807	A *	8/1960	Herzog et al.	87/8	D392,583	S *	3/1998	Hoffman	D11/7
3,035,476	A *	5/1962	Fogden	87/9	5,732,663	A *	3/1998	Manzella	119/798
3,078,755	A *	2/1963	Chace, Jr.	87/9	5,802,828	A *	9/1998	Adorno	57/232
3,096,741	A *	7/1963	Ollstein	119/792	5,850,807	A *	12/1998	Keeler	119/799
3,204,519	A *	9/1965	Lawson et al.	87/8	5,931,076	A *	8/1999	Ryan	87/8
3,206,923	A *	9/1965	Price	57/238	5,934,168	A *	8/1999	Feichtinger et al.	87/8
3,366,002	A *	1/1968	Meals et al.	87/8	D414,004	S *	9/1999	Harvison	D30/144
3,367,102	A *	2/1968	Meger	57/202	5,967,095	A *	10/1999	Greves	119/795
3,395,529	A *	8/1968	Ray	57/237	D420,514	S *	2/2000	Morlet	D3/327
3,400,628	A *	9/1968	Herzog	87/6	D421,669	S *	3/2000	Moehring	D30/151
3,411,400	A *	11/1968	Morieras et al.	87/8	6,044,582	A *	4/2000	Johnson	43/4
3,463,197	A *	8/1969	Winton	138/125	6,085,628	A *	7/2000	Street et al.	87/7
3,534,652	A *	10/1970	Case et al.	87/1	6,257,163	B1 *	7/2001	Carpenter	114/253
3,545,334	A *	12/1970	Dudley	87/8	6,341,550	B1 *	1/2002	White	87/5
3,561,652	A *	2/1971	Ruter	224/103	6,422,118	B1 *	7/2002	Edwards	87/13
3,587,951	A *	6/1971	Derouin	294/166	6,439,168	B1 *	8/2002	Maglich et al.	119/795
3,783,835	A *	1/1974	Kepirq	119/795	D476,378	S *	6/2003	Derrick	D21/443
3,799,429	A *	3/1974	Henry	231/2.1	6,636,686	B1 *	10/2003	Belfer	385/104
3,804,409	A *	4/1974	Schachner	473/423	6,827,045	B1 *	12/2004	Willner et al.	119/795
3,805,667	A *	4/1974	Orser	87/6	D503,249	S *	3/2005	Avenia	D30/153
D232,744	S *	9/1974	McGrew	D30/153	6,925,965	B1 *	8/2005	Hurwitz	119/793
3,884,190	A *	5/1975	Gurrey	119/797	6,978,738	B1 *	12/2005	Hurwitz	119/793
D244,869	S *	6/1977	Manley et al.	D30/153	7,025,644	B2 *	4/2006	Geier et al.	441/74
4,058,049	A *	11/1977	Bech	87/8	7,240,599	B2 *	7/2007	Nolan	87/8
4,134,154	A *	1/1979	Faulkner	2/338	7,331,311	B2 *	2/2008	Hurwitz	119/795
4,154,391	A *	5/1979	Girty	231/3	7,380,485	B2 *	6/2008	Sekiya et al.	87/8
4,170,921	A *	10/1979	Repass	87/6	7,383,677	B2 *	6/2008	Penge	54/80.1
4,288,188	A *	9/1981	Smith	410/97	7,461,500	B2 *	12/2008	Theis	57/238
D263,175	S *	3/1982	Press	D3/211	D590,576	S *	4/2009	Samuels et al.	D2/706
4,533,321	A *	8/1985	Kidd et al.	433/18	7,685,972	B2 *	3/2010	Zacho et al.	119/793
4,735,035	A *	4/1988	Mattioli	54/34	7,690,331	B2 *	4/2010	Hurwitz	119/795
4,754,685	A *	7/1988	Kite et al.	87/9	7,886,701	B1 *	2/2011	Gordon	119/863
D297,577	S *	9/1988	Tozawa	D30/152	D649,305	S *	11/2011	Werde	D30/152
4,792,336	A *	12/1988	Hlavacek et al.	623/13.18	D652,701	S *	1/2012	Cranny	D8/44
4,879,972	A *	11/1989	Crowe et al.	119/792	D653,002	S *	1/2012	Hull	D30/153
4,922,581	A *	5/1990	Wilson	24/36	8,116,940	B2 *	2/2012	Keller	701/39
4,973,370	A *	11/1990	Kreinberg	156/50	D676,091	S *	2/2013	Henniger	D21/662
4,996,948	A *	3/1991	Klein et al.	119/864	8,448,608	B2 *	5/2013	Mucerino et al.	119/797
5,018,969	A *	5/1991	Andreiko et al.	433/20	8,479,687	B2 *	7/2013	Anderson et al.	119/709
5,080,584	A *	1/1992	Karabin	433/20	2007/0039561	A1 *	2/2007	Tarlton	119/795
5,086,612	A *	2/1992	Anderson	54/78	2009/0071418	A1 *	3/2009	Simons	119/793
D328,908	S *	8/1992	Kalbach	D16/339	2009/0120270	A1 *	5/2009	Welch et al.	87/8
D329,309	S *	9/1992	Washington	D30/153	2009/0120375	A1 *	5/2009	Dyer	119/769
5,184,573	A *	2/1993	Stevens, Jr.	119/654	2009/0241854	A1 *	10/2009	Hurwitz	119/793
					2012/0144984	A1 *	6/2012	Head et al.	87/8
					2012/0272816	A1 *	11/2012	Ueda et al.	87/8

* cited by examiner

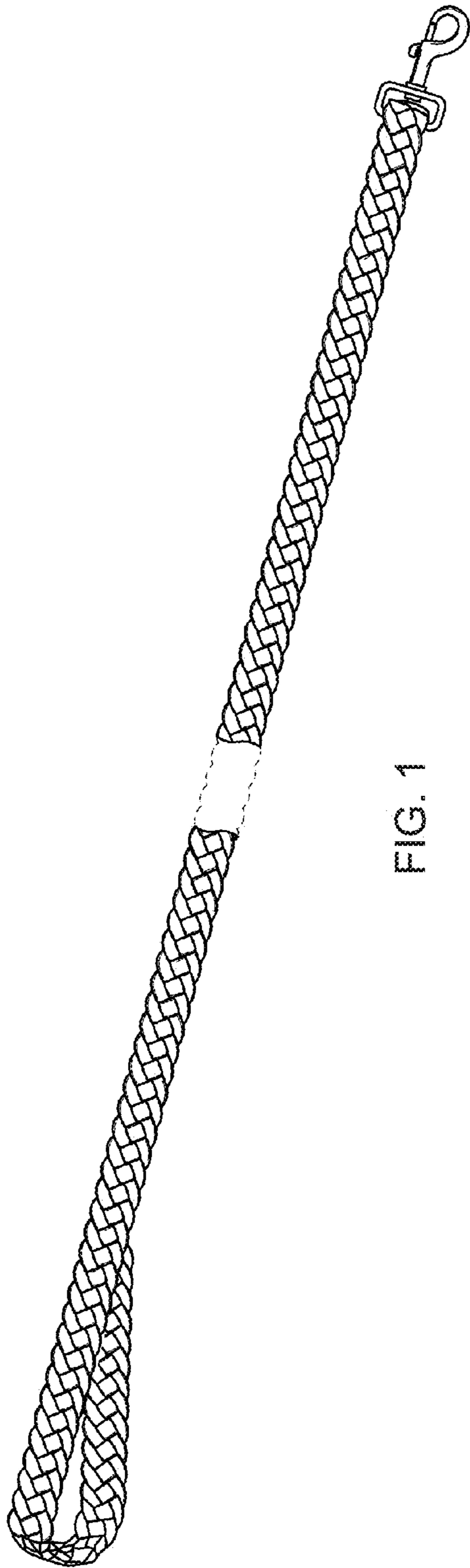


FIG. 1

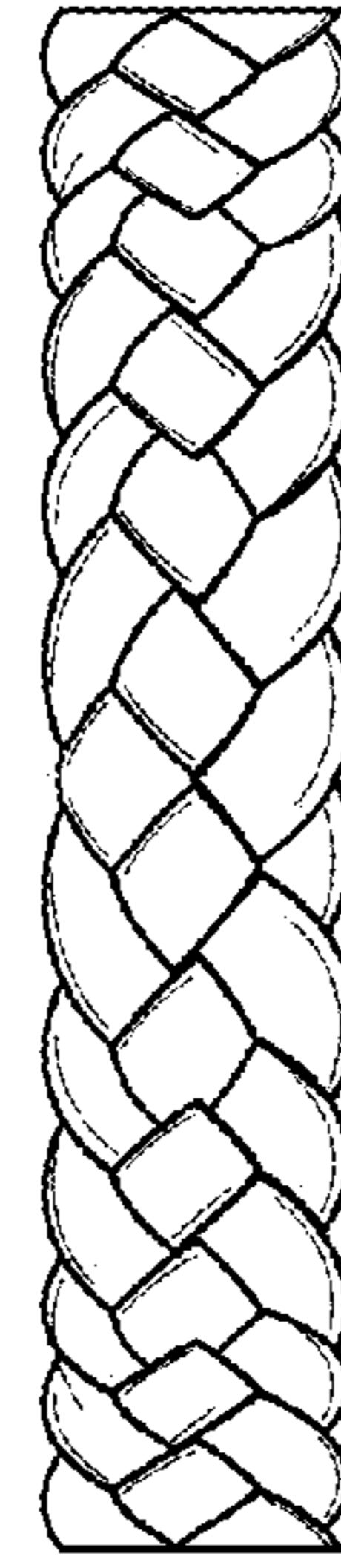


FIG. 3

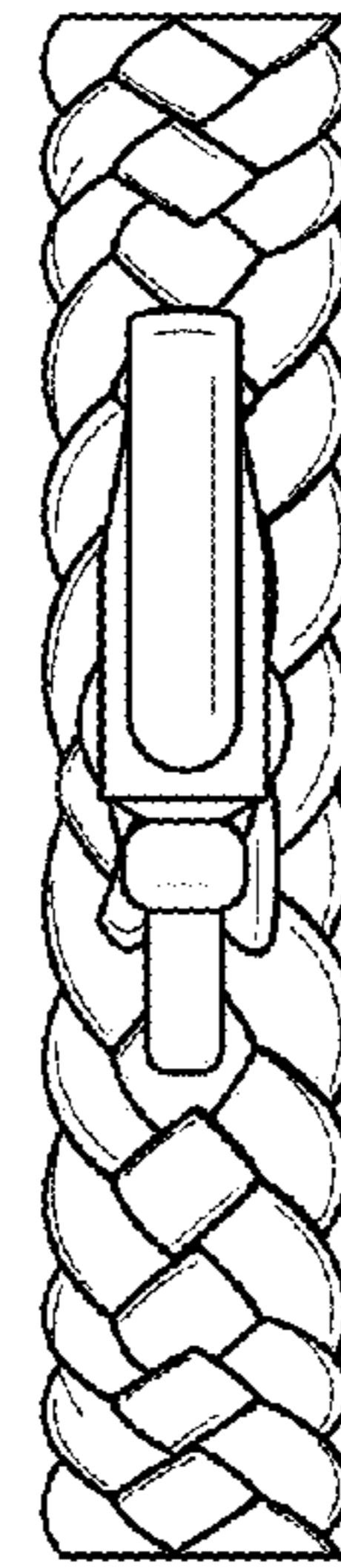


FIG. 2



FIG. 4

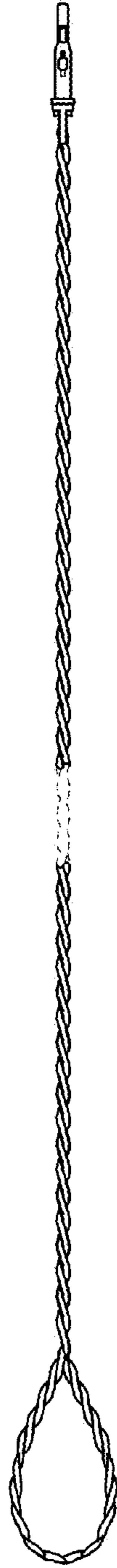


FIG. 5



FIG. 6



FIG. 7