

US00D695966S

(12) **United States Design Patent**
Futterer

(10) **Patent No.:** **US D695,966 S**
(45) **Date of Patent:** **** Dec. 17, 2013**

(54) **HEAD PROTECTIVE GEAR**

(71) Applicant: **PSE Technology LLC**, Raleigh, NC
(US)

(72) Inventor: **Willian F. Futterer**, Raleigh, NC (US)

(73) Assignee: **PSE Technology, LLC**, Raleigh, NC
(US)

(**) Term: **14 Years**

(21) Appl. No.: **29/447,797**

(22) Filed: **Mar. 6, 2013**

(51) **LOC (9) Cl.** **02-03**

(52) **U.S. Cl.**
USPC **D29/102**

(58) **Field of Classification Search**

USPC D29/102-110, 122; 2/200.1, 200.2,
2/202, 205, 208, 181, 171, 171.1, 171.3,
2/410-414, 416, 421-425, 427, 5, 6.1,
2/6.3, 6.5, 6.6, 6.7, 7-9, 8.2, 457, 2.11,
2/2.14, 2.15, 209.13, 206, 468, 209.4,
2/175.4, 175.6; D2/875, 865, 869, 880,
D2/175.6, 877, 891, 895, 892; D24/110.3,
D24/110.2; 128/201.23, 201.24, 201.29,
128/202.11; D16/208; 396/429, 433;
348/373; 250/330; 345/8

See application file for complete search history.

(56) **References Cited**

U.S. PATENT DOCUMENTS

D58,302 S * 7/1921 Bartholomew D2/865
D58,303 S * 7/1921 Bartholomew D2/865
1,697,507 A * 1/1929 Karger 2/181
D176,046 S * 11/1955 Spreiregen D29/106
D187,519 S * 3/1960 Lasting D2/865
D299,180 S * 1/1989 Gentes D29/122
4,912,778 A * 4/1990 Daniels 2/7
5,437,064 A * 8/1995 Hamaguchi 2/414

5,896,587 A * 4/1999 Gentry 2/425
5,940,889 A * 8/1999 Shirai 2/411
5,946,734 A 9/1999 Vogan
6,058,515 A 5/2000 Kitahara
6,122,773 A * 9/2000 Katz 2/171.3
6,237,162 B1 * 5/2001 Gill 2/422
D473,365 S * 4/2003 Bias D2/867
6,588,511 B1 7/2003 Kriesel et al.
D479,020 S * 8/2003 Heinrich D29/122
6,896,065 B2 5/2005 Kriesel et al.
7,028,344 B2 4/2006 Toth
7,041,719 B2 5/2006 Kriesel et al.
7,062,795 B2 6/2006 Skiba et al.
7,082,623 B2 8/2006 Johnson et al.
D564,183 S * 3/2008 Roach et al. D2/865
D565,281 S * 4/2008 Dhillon D2/865
D565,799 S * 4/2008 Timms D29/102
D584,000 S * 12/2008 Saluan D29/106
7,650,648 B2 1/2010 Roberts
8,117,677 B2 2/2012 Toth

(Continued)

OTHER PUBLICATIONS

Product weblink: www.unequal.com/dome—for Dome skull cap,
Unequal Technologies, 2012; last accessed Mar. 28, 2013.

Primary Examiner — Ruth McInroy

(74) *Attorney, Agent, or Firm* — NK Patent Law, PLLC

(57) **CLAIM**

I claim the ornamental design for a head protective gear, as
shown and described.

DESCRIPTION

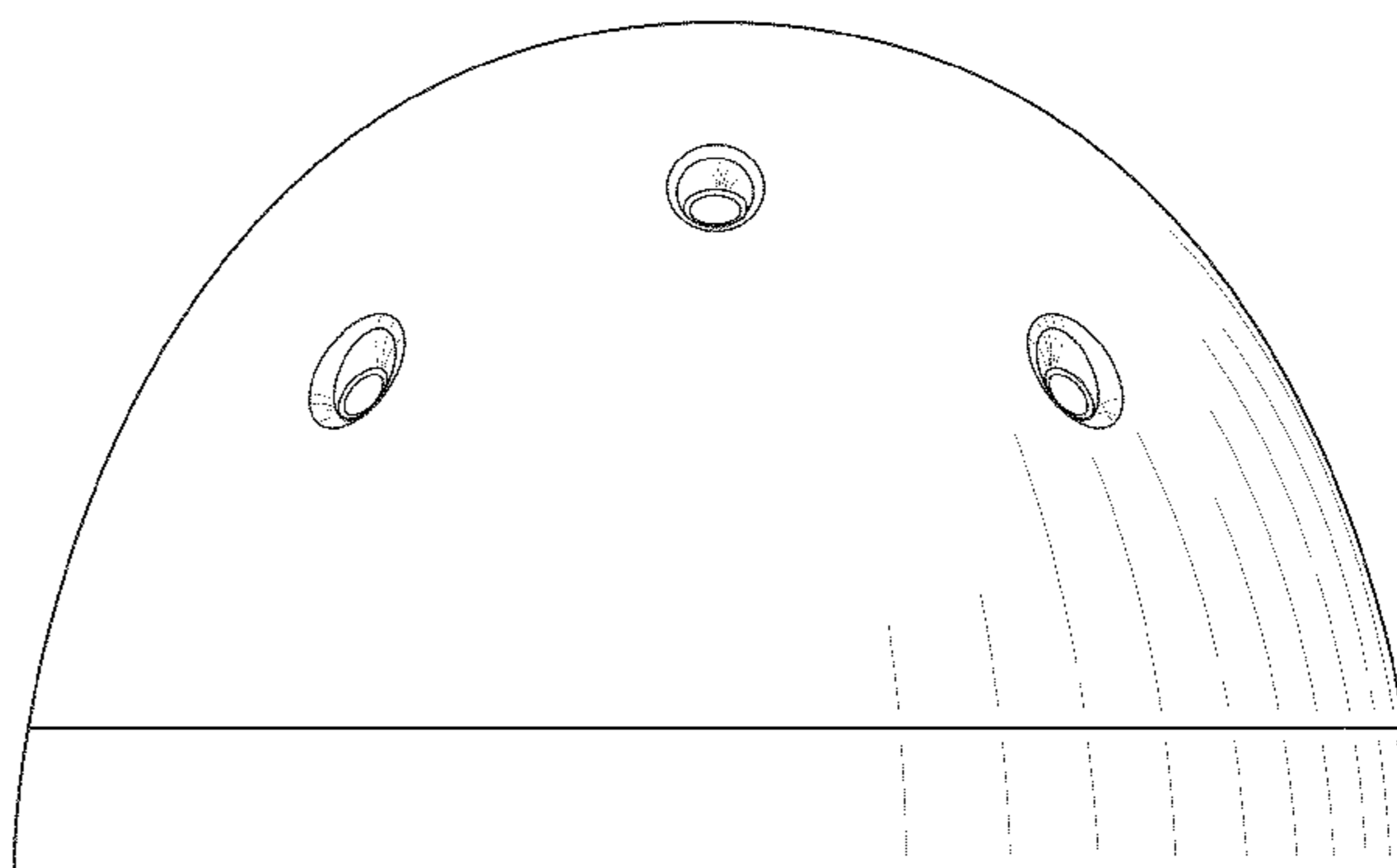
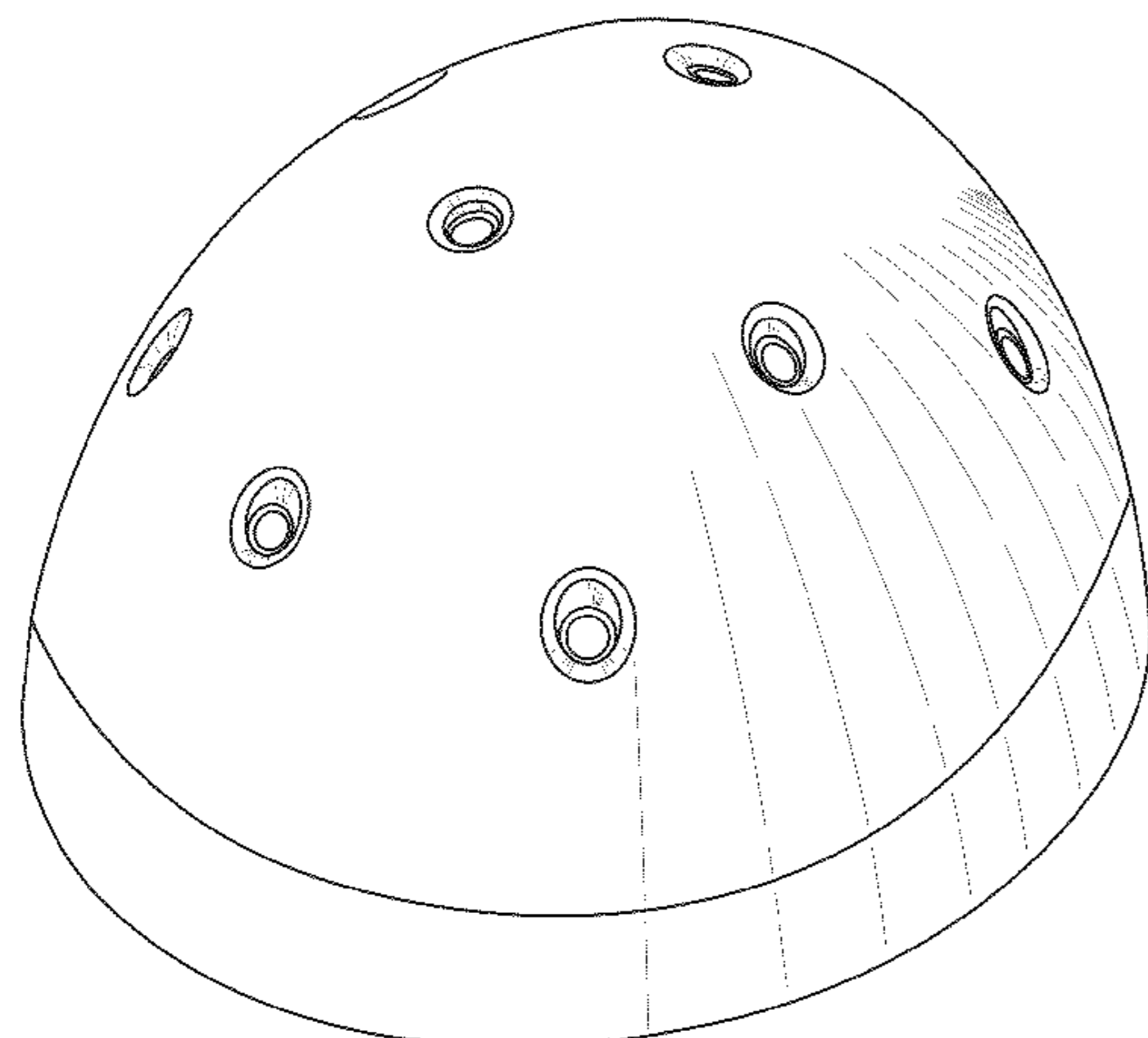
FIG. 1 is a top perspective view of a head protective gear
showing my new design;

FIG. 2 is a top plan view thereof;

FIG. 3 is a rear view thereof, the front view being a mirror
image; and,

FIG. 4 is a right side view thereof, the left side being a mirror
image.

1 Claim, 4 Drawing Sheets



(56)

References Cited

U.S. PATENT DOCUMENTS

8,225,419 B2 *	7/2012	Hersick et al.	2/5	2004/0163162 A1 *	8/2004	Benziger	2/411
8,302,213 B2	11/2012	Kriesel		2006/0005291 A1 *	1/2006	Bedford	2/7
D686,780 S *	7/2013	Rodgers	D29/122	2006/0075544 A1	4/2006	Kriesel et al.	
2004/0034903 A1 *	2/2004	Blair	2/411	2008/0026658 A1	1/2008	Kriesel	
2004/0040066 A1 *	3/2004	Hardenbrook	2/171	2009/0222975 A1	9/2009	Green et al.	
				2011/0113533 A1	5/2011	Guillen	
				2011/0179557 A1	7/2011	Rabie	
				2013/0007948 A1 *	1/2013	Chen et al.	2/410

* cited by examiner

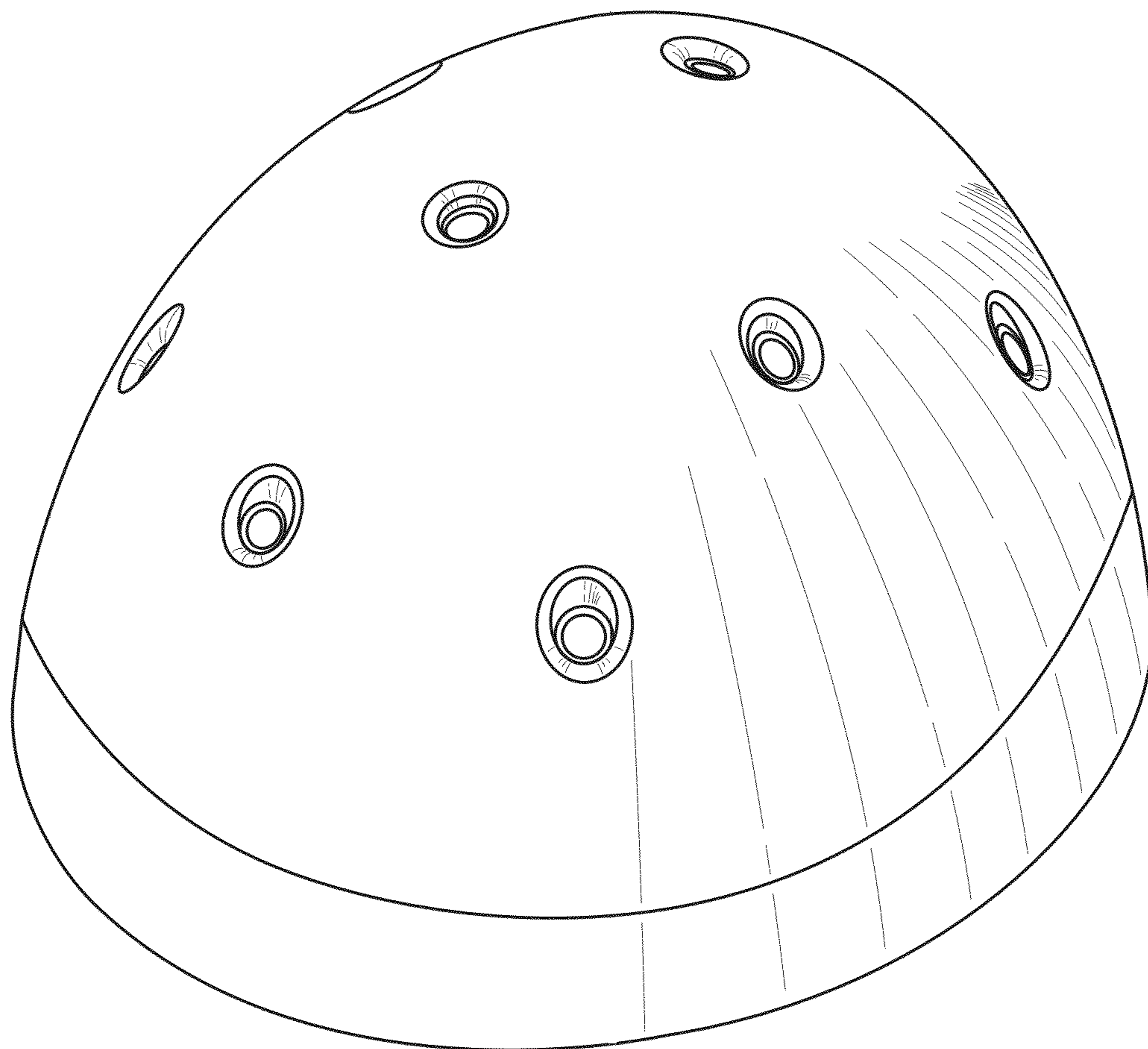


Fig. 1

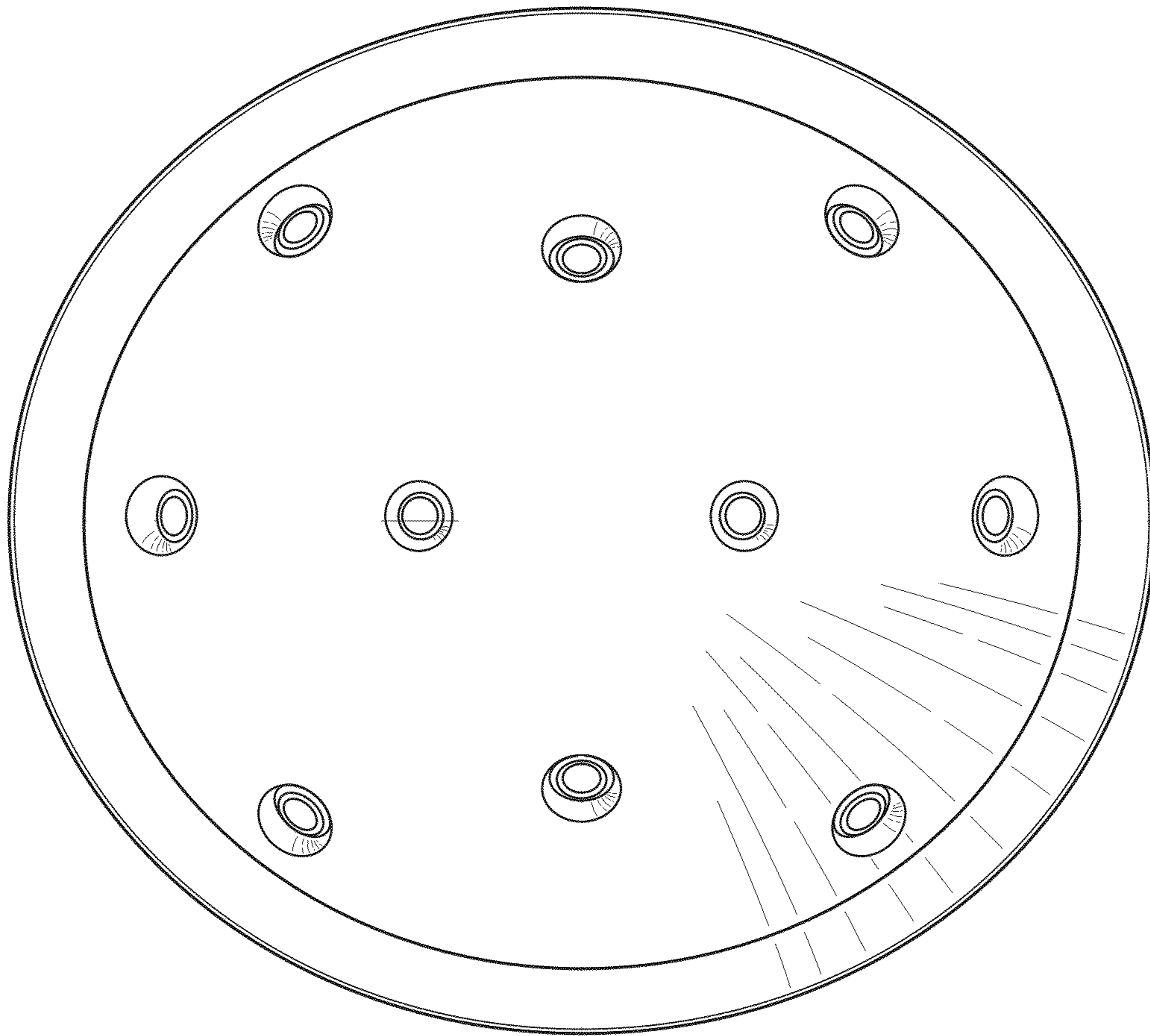


Fig. 2

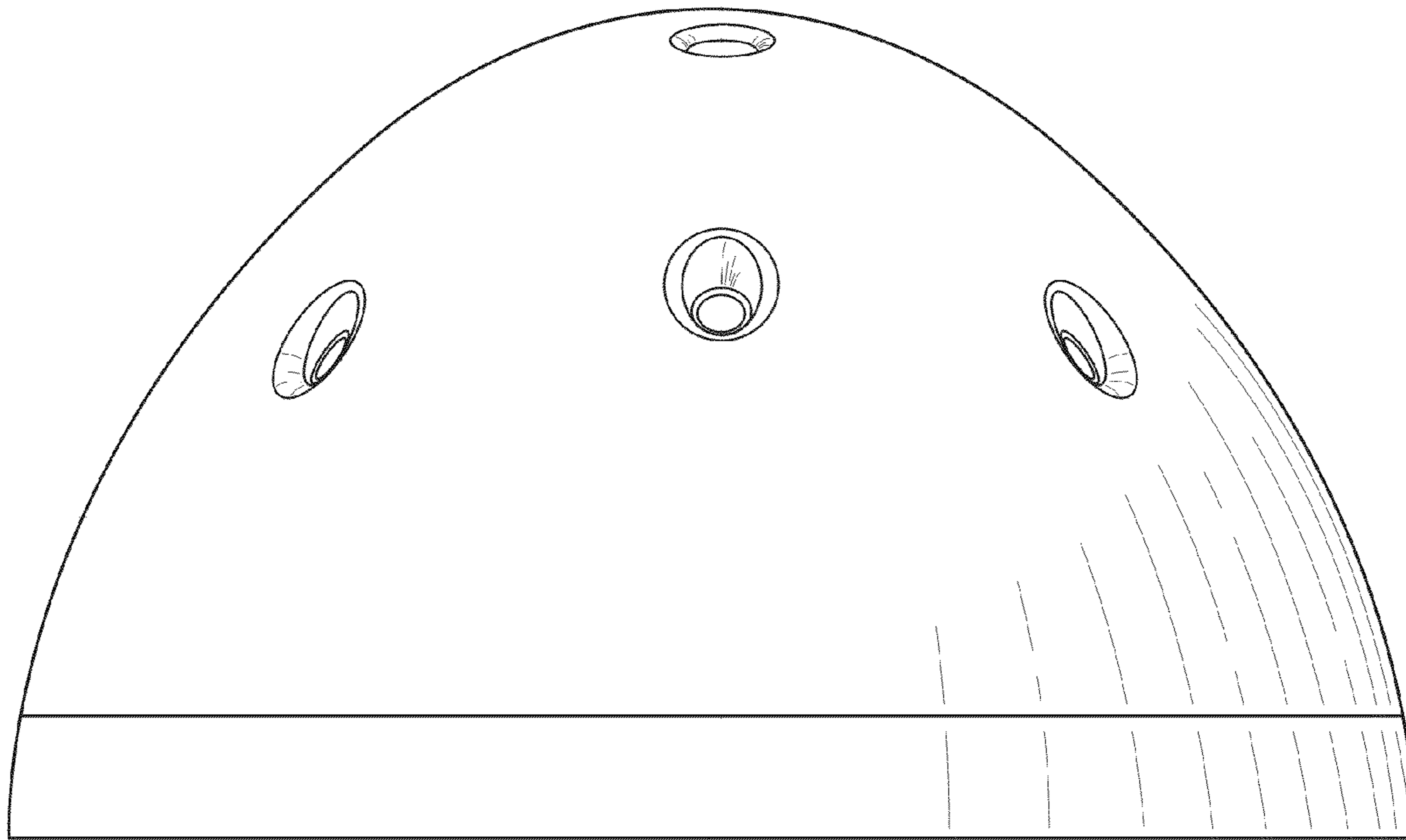


Fig. 3

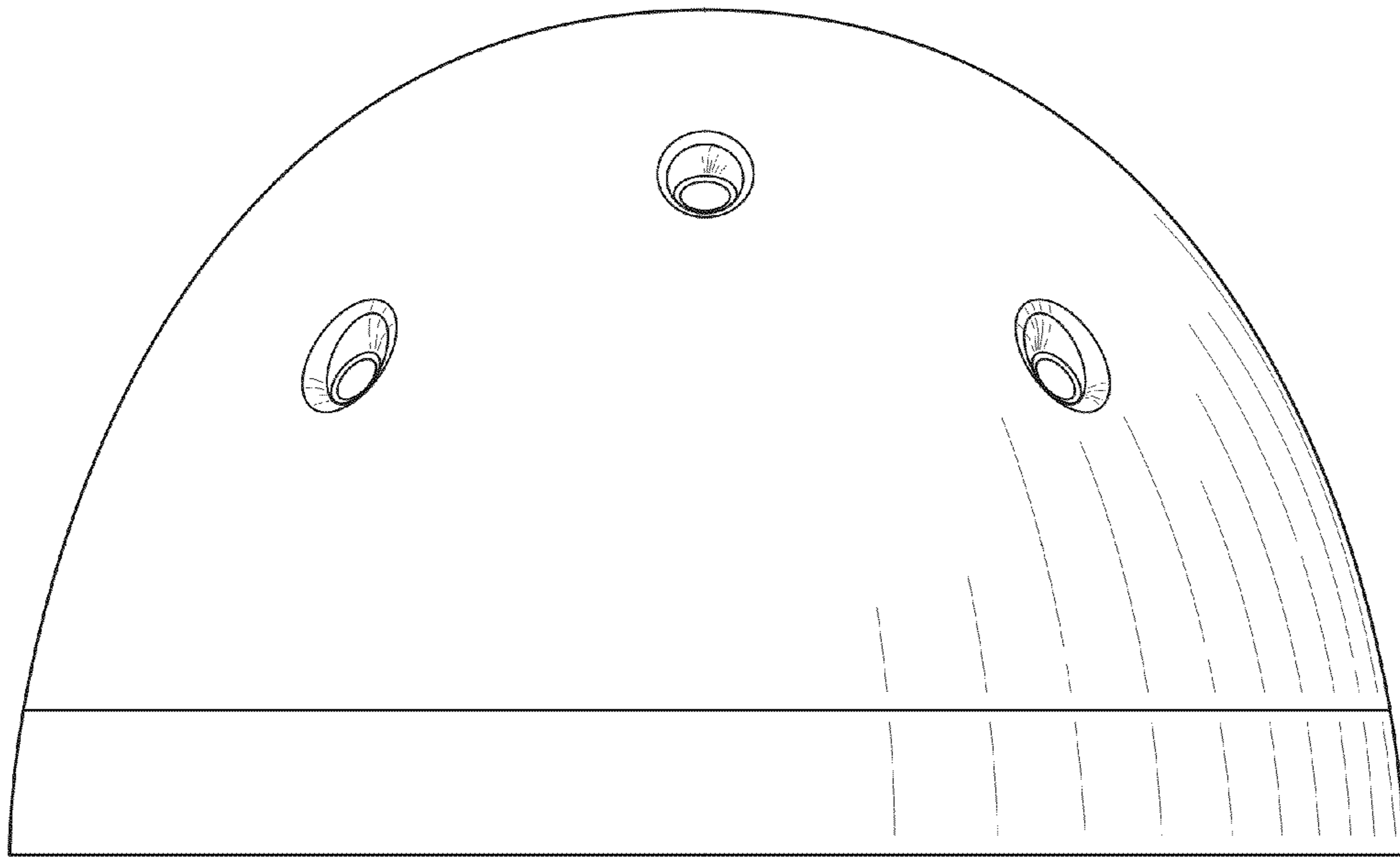


Fig. 4