



US00D695964S

(12) **United States Design Patent**  
**Salagnac**

(10) **Patent No.:** **US D695,964 S**

(45) **Date of Patent:** **\*\* Dec. 17, 2013**

(54) **HAIR CLIPPER**

(71) Applicant: **Calor**, Lyons (FR)

(72) Inventor: **Marc Salagnac**, Lyons (FR)

(73) Assignee: **Calor**, Lyons (FR)

(\*\*) Term: **14 Years**

(21) Appl. No.: **29/437,995**

(22) Filed: **Nov. 23, 2012**

(30) **Foreign Application Priority Data**

May 23, 2012 (EM) ..... 001327589-0001

(51) **LOC (9) Cl.** ..... **28-03**

(52) **U.S. Cl.**  
USPC ..... **D28/53**

(58) **Field of Classification Search**  
USPC ..... D28/49-54, 44-48; 30/34.05, 32, 34.1,  
30/34.2, 43-43.92, 526-527, 44-45, 341,  
30/272.1, 226-227, 231, 233-233.5, 537,  
30/539-540  
See application file for complete search history.

(56) **References Cited**

**U.S. PATENT DOCUMENTS**

D456,947 S \* 5/2002 Hoffman et al. .... D28/53  
D500,890 S \* 1/2005 Muramatsu ..... D28/53

D521,683 S \* 5/2006 Pepall ..... D28/53  
D600,409 S \* 9/2009 Klein ..... D28/53  
D628,745 S \* 12/2010 Dingelstad ..... D28/53  
D637,760 S \* 5/2011 Tasar ..... D28/53  
D648,484 S \* 11/2011 Geiger ..... D28/53  
D651,747 S 1/2012 Nitsch et al.  
2013/0160296 A1 \* 6/2013 Park et al. .... 30/34.05

**FOREIGN PATENT DOCUMENTS**

CN 302 245 120 12/2012

\* cited by examiner

*Primary Examiner* — Jennifer Rivard

(74) *Attorney, Agent, or Firm* — Loeb & Loeb LLP

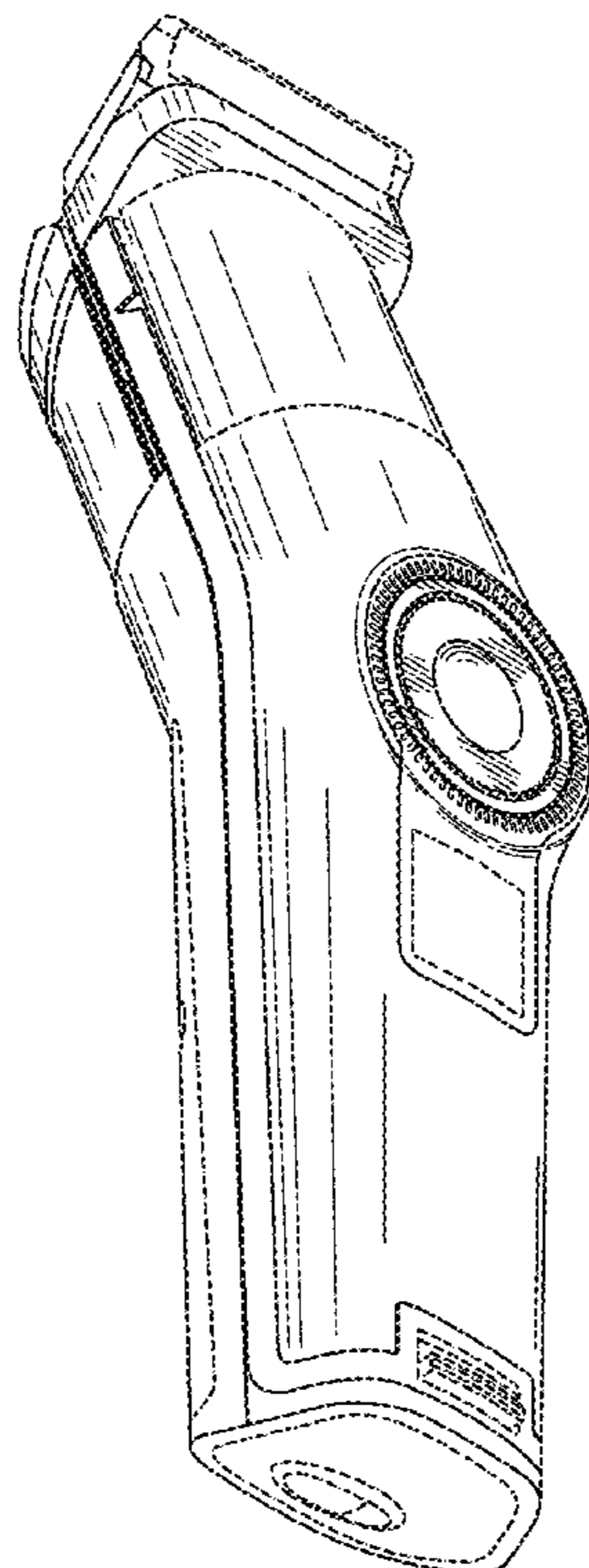
(57) **CLAIM**

The ornamental design for a hair clipper, as shown and described.

**DESCRIPTION**

FIG. 1 is a perspective view of the hair clipper.  
FIG. 2 is a front view of the hair clipper of FIG. 1.  
FIG. 3 is a back side view of the hair clipper of FIG. 1.  
FIG. 4 is a left side view of the hair clipper of FIG. 1.  
FIG. 5 is a right side view of the hair clipper of FIG. 1.  
FIG. 6 is a bottom view of the hair clipper of FIG. 1; and,  
FIG. 7 is a top view of the hair clipper of FIG. 1.  
The broken lines shown in the drawings illustrate portions of the article and form no part of the claimed design.

**1 Claim, 7 Drawing Sheets**



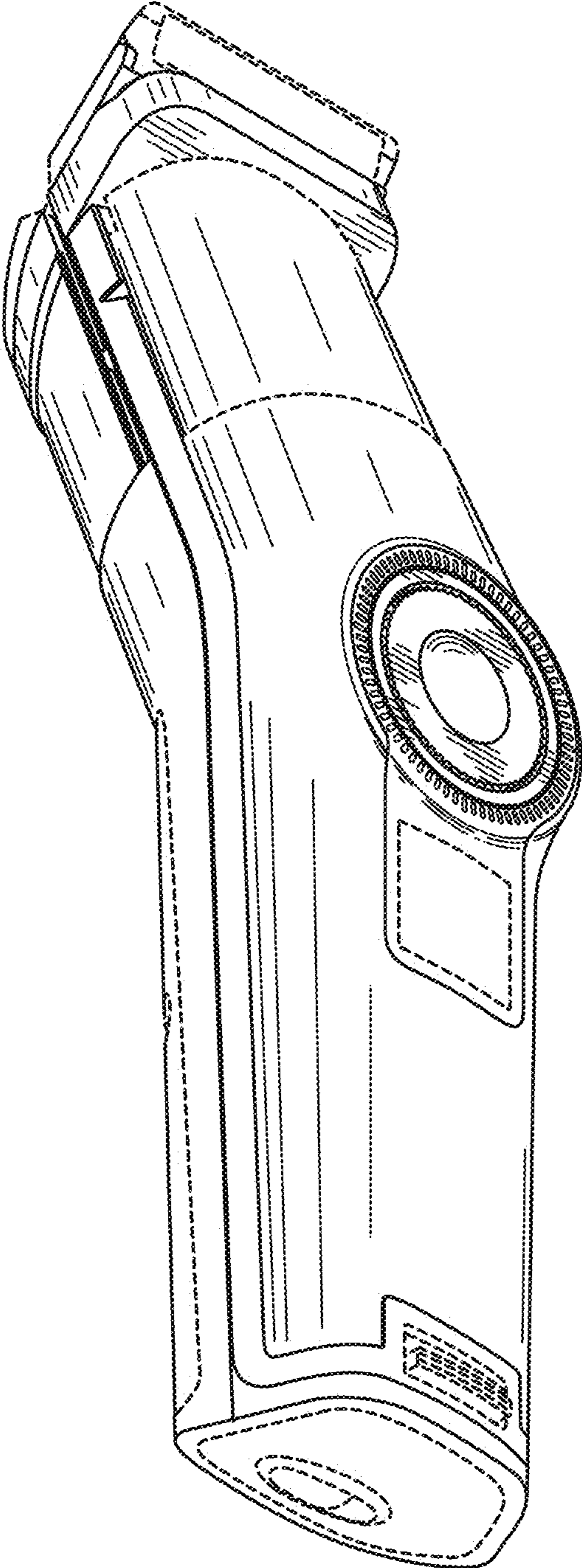


FIG. 1

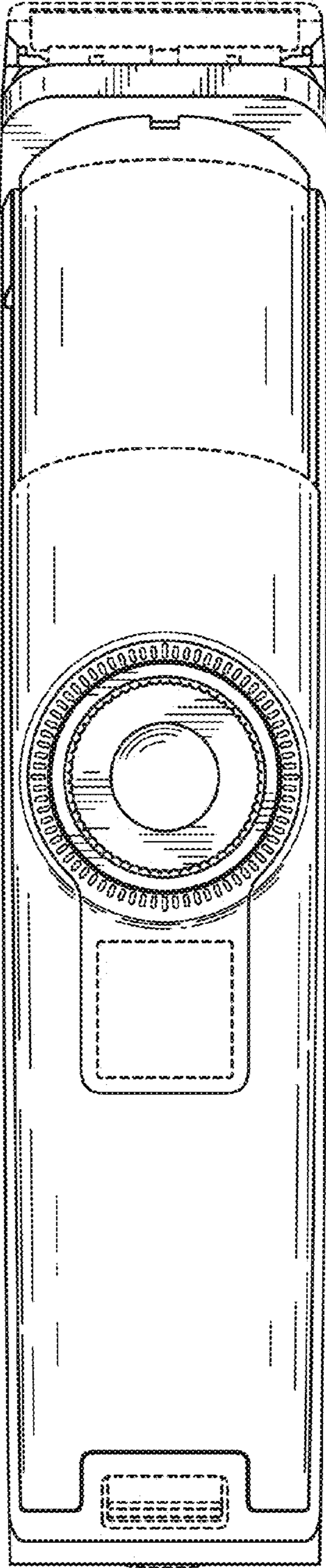


FIG. 2

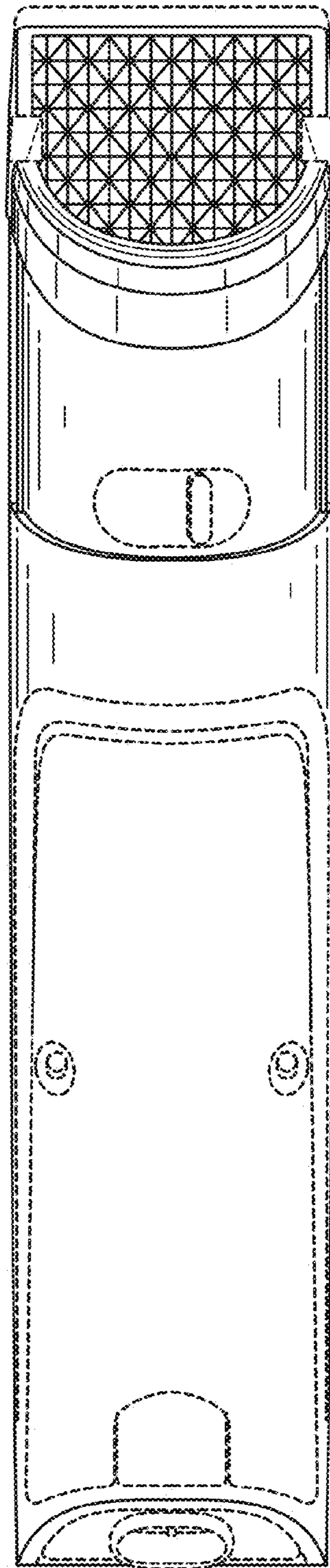


FIG. 3

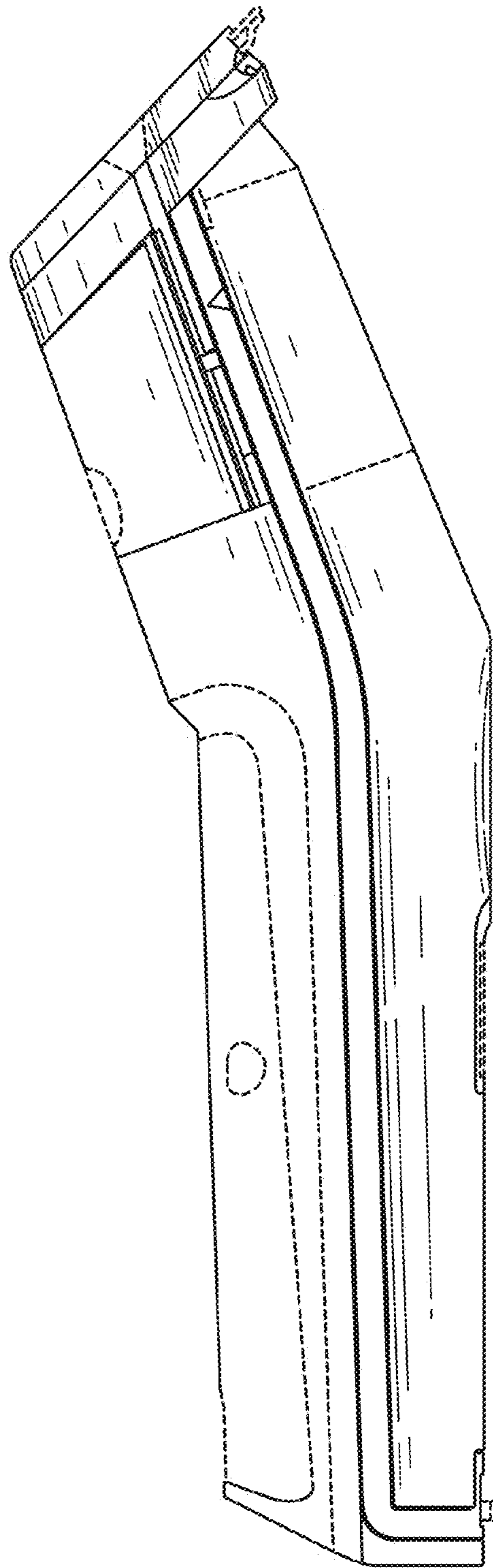


FIG. 4

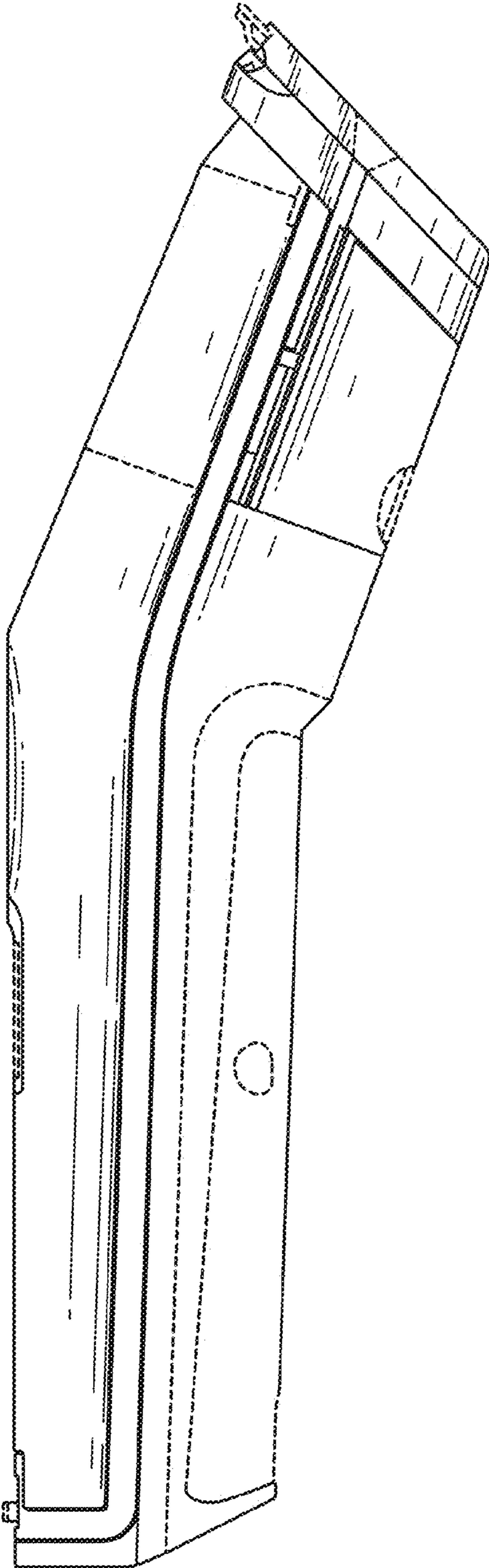


FIG. 5

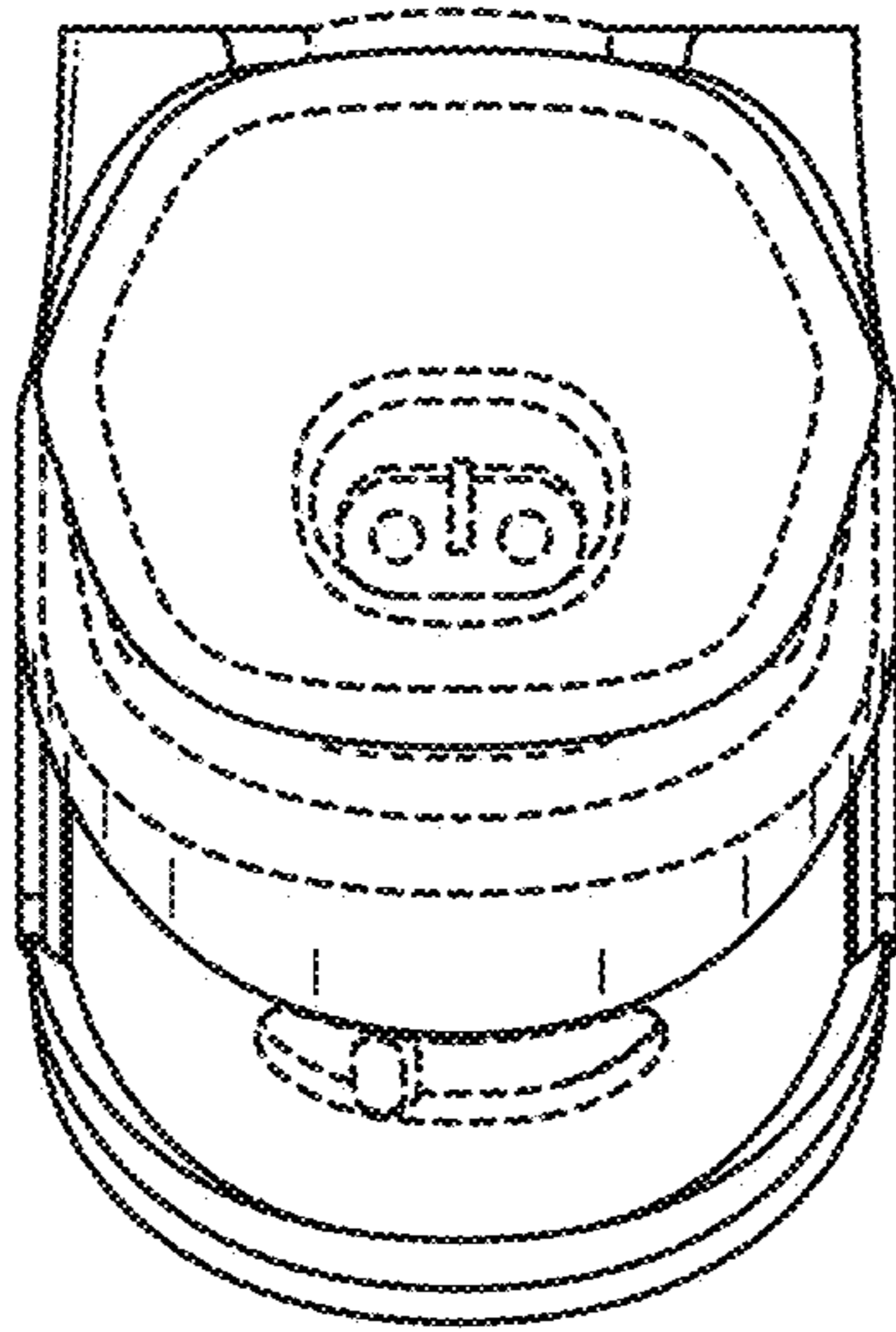


FIG. 6

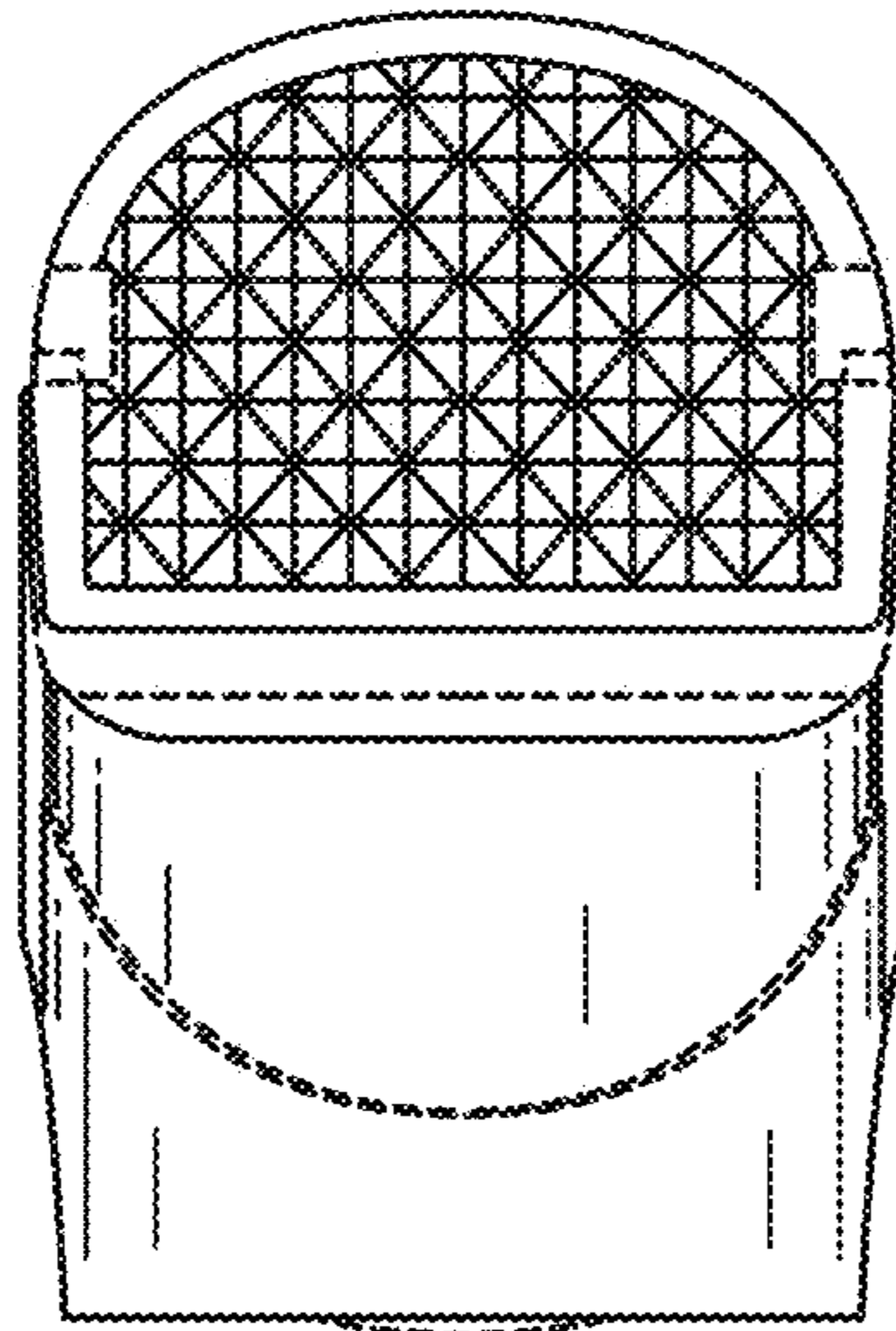


FIG. 7