



US00D695963S

(12) **United States Design Patent**  
**Ino**

(10) **Patent No.:** **US D695,963 S**

(45) **Date of Patent:** **\*\* Dec. 17, 2013**

(54) **ELECTRIC SHAVER**

D674,143 S \* 1/2013 Ino et al. .... D28/51  
D674,554 S \* 1/2013 Ino et al. .... D28/51  
D674,555 S \* 1/2013 Ino ..... D28/51

(71) Applicant: **Panasonic Corporation**, Osaka (JP)

(72) Inventor: **Tomoaki Ino**, Shiga (JP)

(73) Assignee: **Panasonic Corporation**, Osaka (JP)

(\*\*) Term: **14 Years**

(21) Appl. No.: **29/439,947**

(22) Filed: **Dec. 18, 2012**

(30) **Foreign Application Priority Data**

Aug. 9, 2012 (JP) ..... 2012-019217

(51) **LOC (9) Cl.** ..... **28-03**

(52) **U.S. Cl.**  
USPC ..... **D28/51**

(58) **Field of Classification Search**  
USPC ..... D28/49-54, 44-48; 30/34.05, 32, 34.1,  
30/34.2, 43-43.92, 526-527, 44-45, 341,  
30/272.1, 226-227, 231, 233-233.5, 537,  
30/539-540

See application file for complete search history.

(56) **References Cited**

**U.S. PATENT DOCUMENTS**

D587,849 S \* 3/2009 Nishizawa ..... D28/51  
D623,353 S \* 9/2010 Nishizawa ..... D28/52  
D648,483 S \* 11/2011 Ino ..... D28/51  
D648,895 S \* 11/2011 Ino ..... D28/49  
D672,090 S \* 12/2012 Ino et al. .... D28/51

**FOREIGN PATENT DOCUMENTS**

JP D1434994 3/2012  
JP D1435333 3/2012  
JP D1451929 10/2012

\* cited by examiner

*Primary Examiner* — Jennifer Rivard

(74) *Attorney, Agent, or Firm* — Panasonic Patent Center

(57) **CLAIM**

I claim the ornamental design for an electric shaver, as shown and described.

**DESCRIPTION**

FIG. 1 is a front perspective view of an electric shaver of the present invention;

FIG. 2 is a rear perspective view thereof;

FIG. 3 is a front view thereof;

FIG. 4 is a first side view thereof;

FIG. 5 is a top view thereof;

FIG. 6 is a rear view thereof;

FIG. 7 is a second side view thereof;

FIG. 8 is a bottom view thereof; and,

FIG. 9 is a cross-sectional view taken along the line 9II-9II between lines 9I-9I in FIG. 3 with the internal parts being omitted.

The broken line showing of electric shaver is included for the purpose of illustrating environment and forms no part of the claimed design.

**1 Claim, 9 Drawing Sheets**

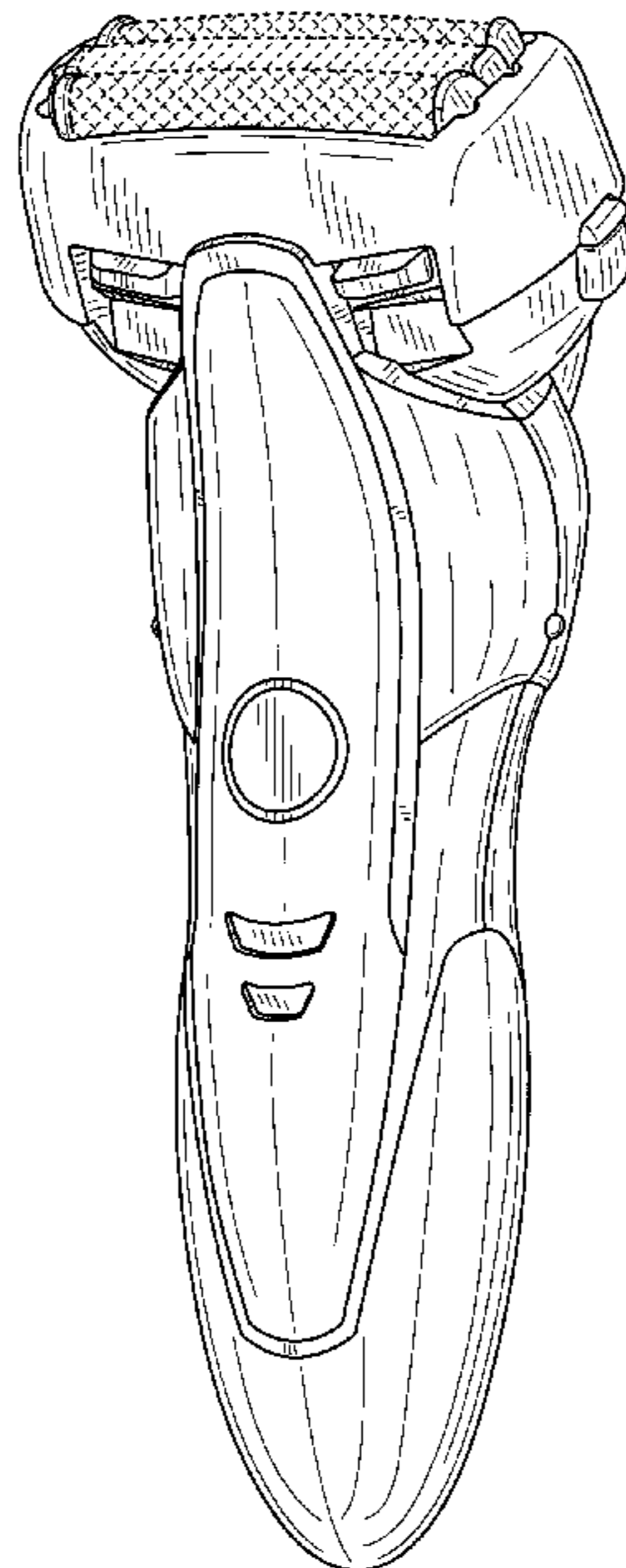


FIG. 1

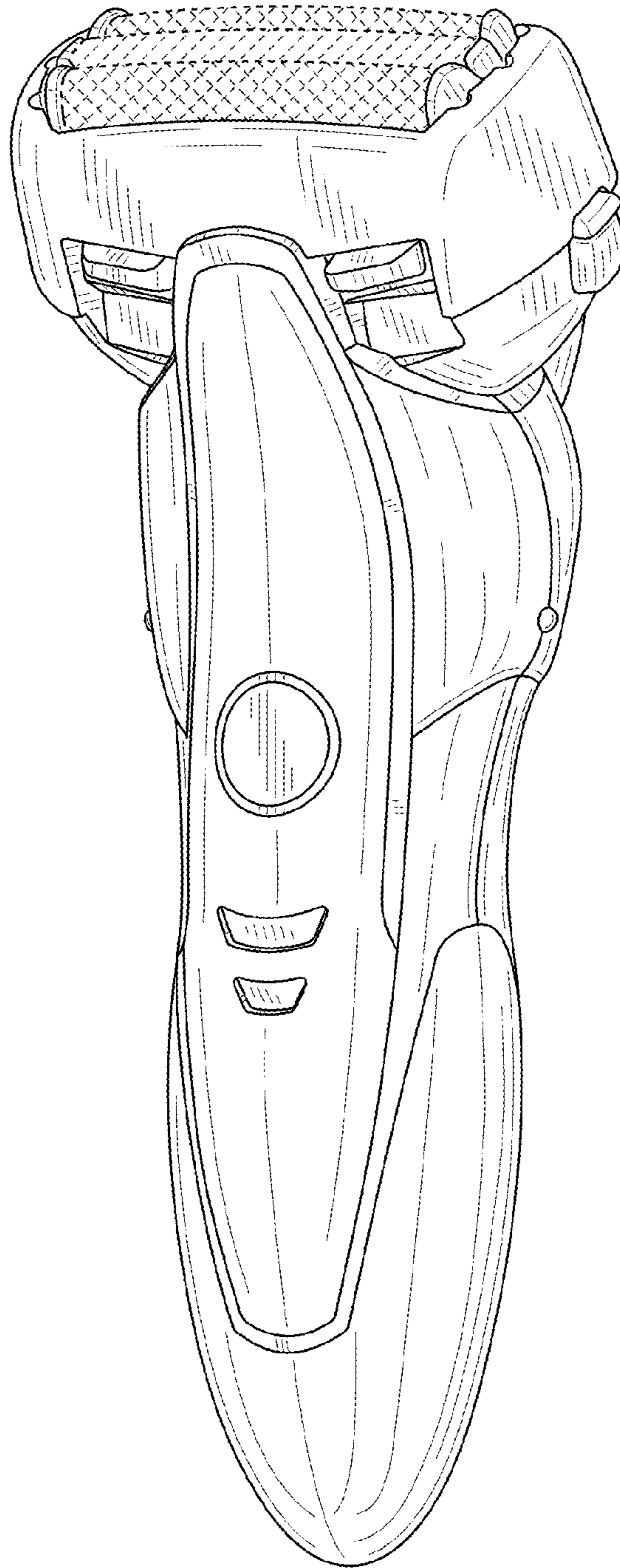


FIG. 2

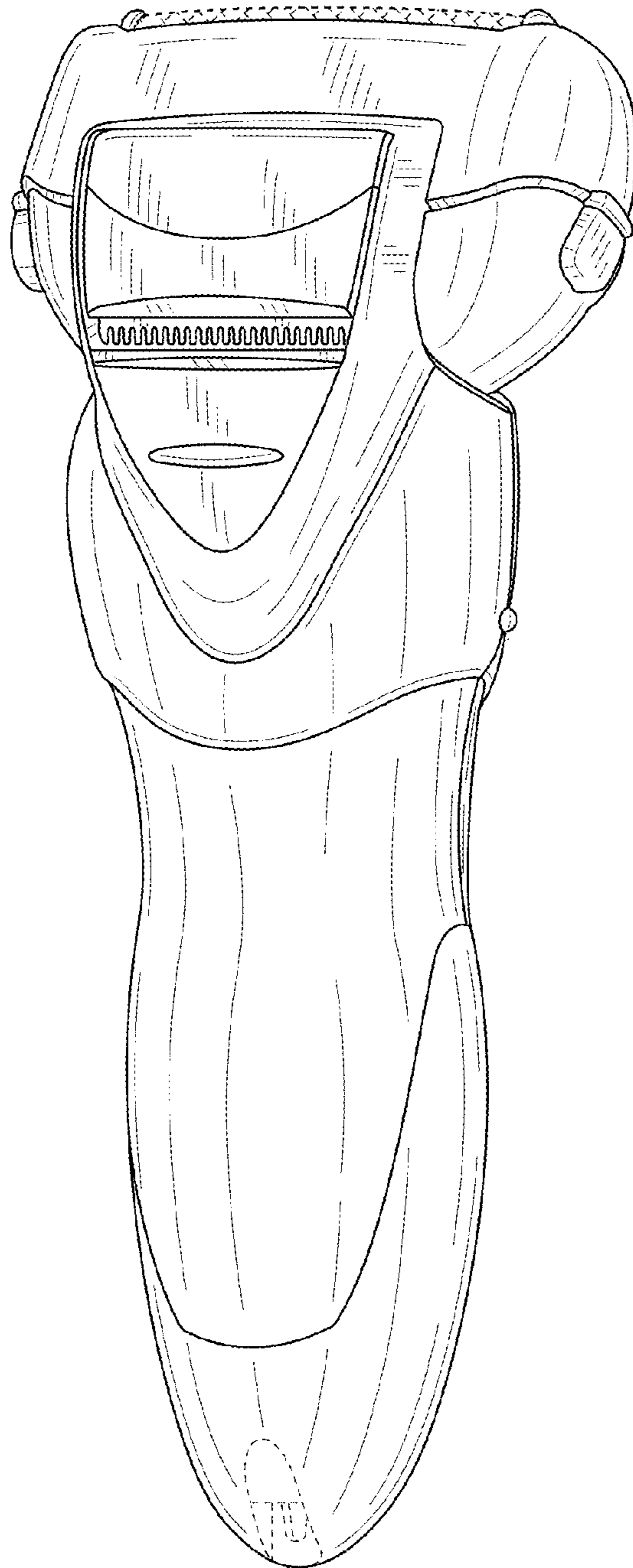


FIG. 3

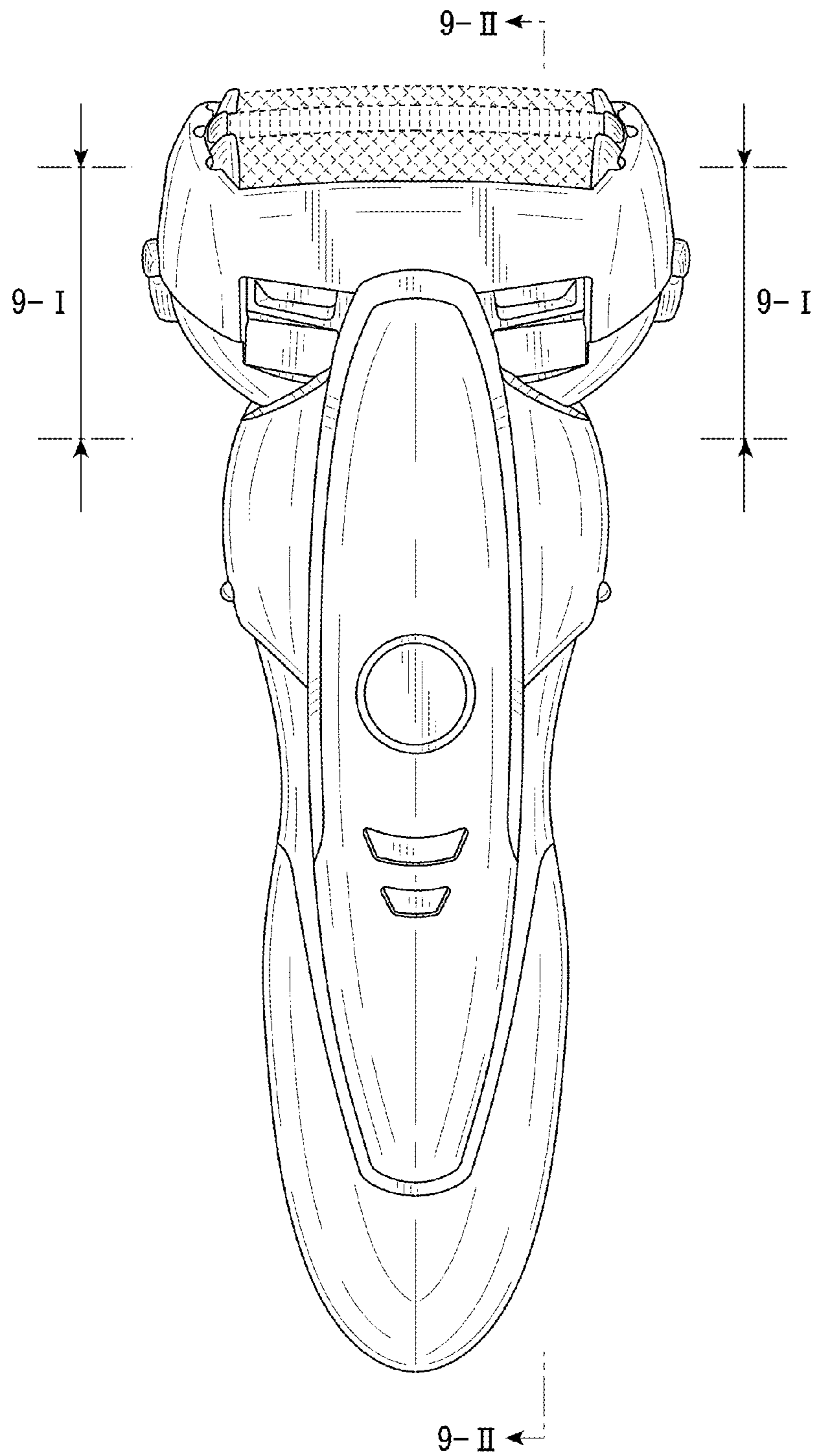


FIG. 4

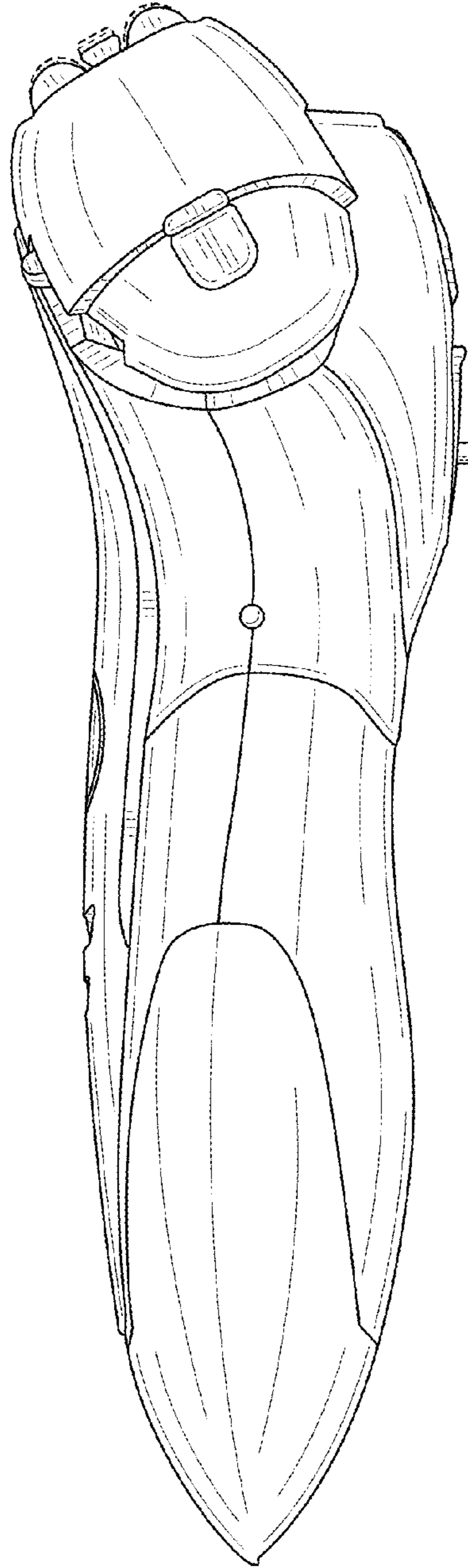


FIG. 5

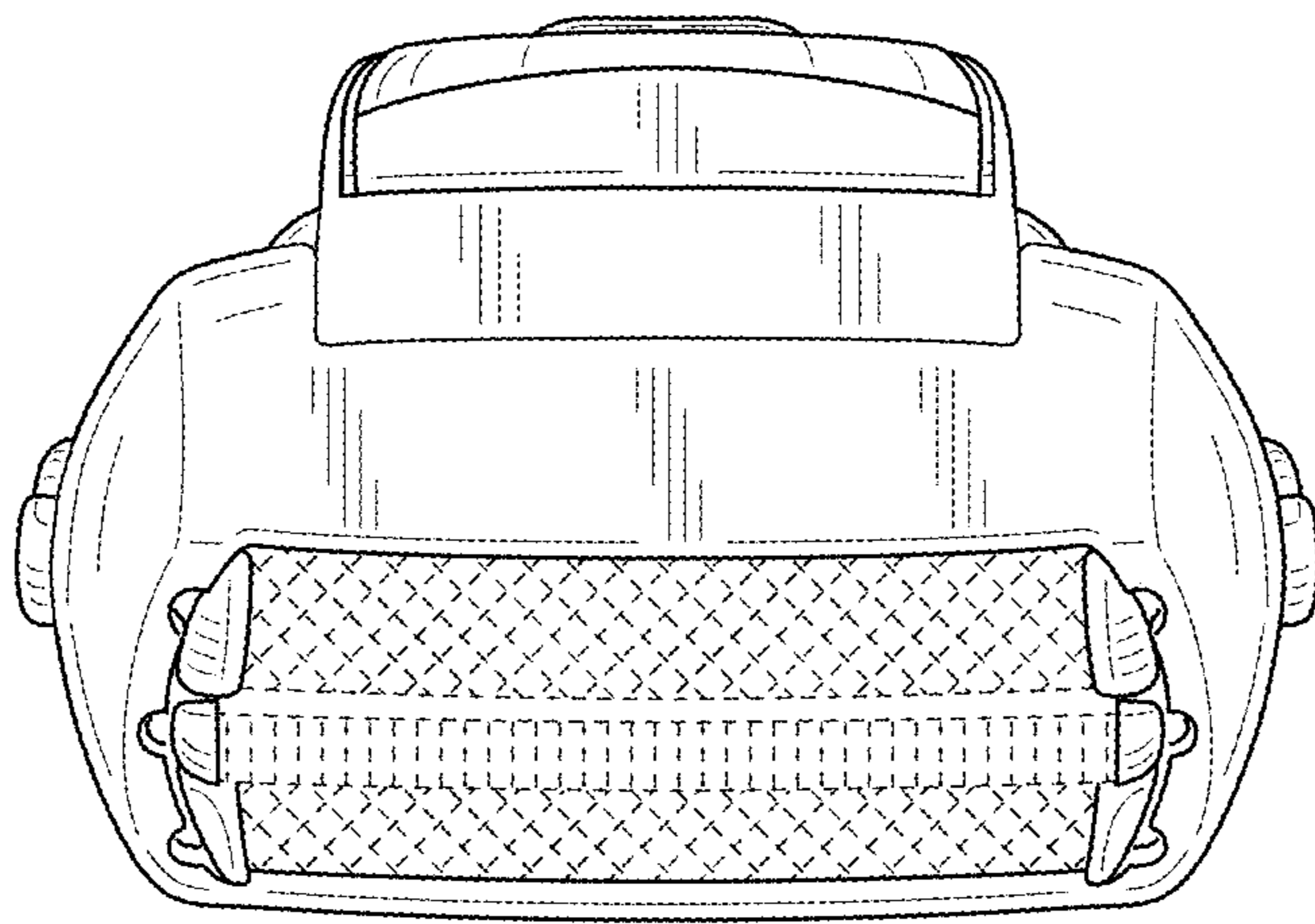


FIG. 6

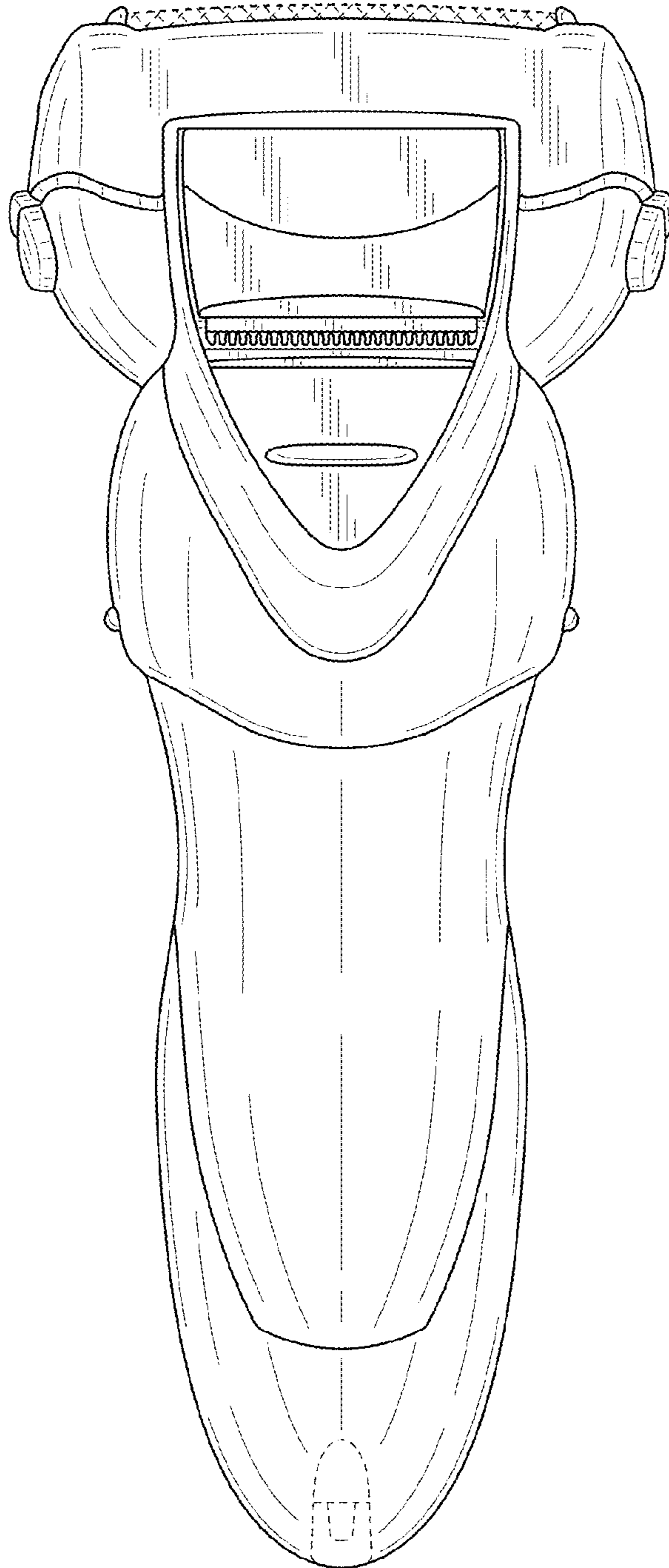


FIG. 7

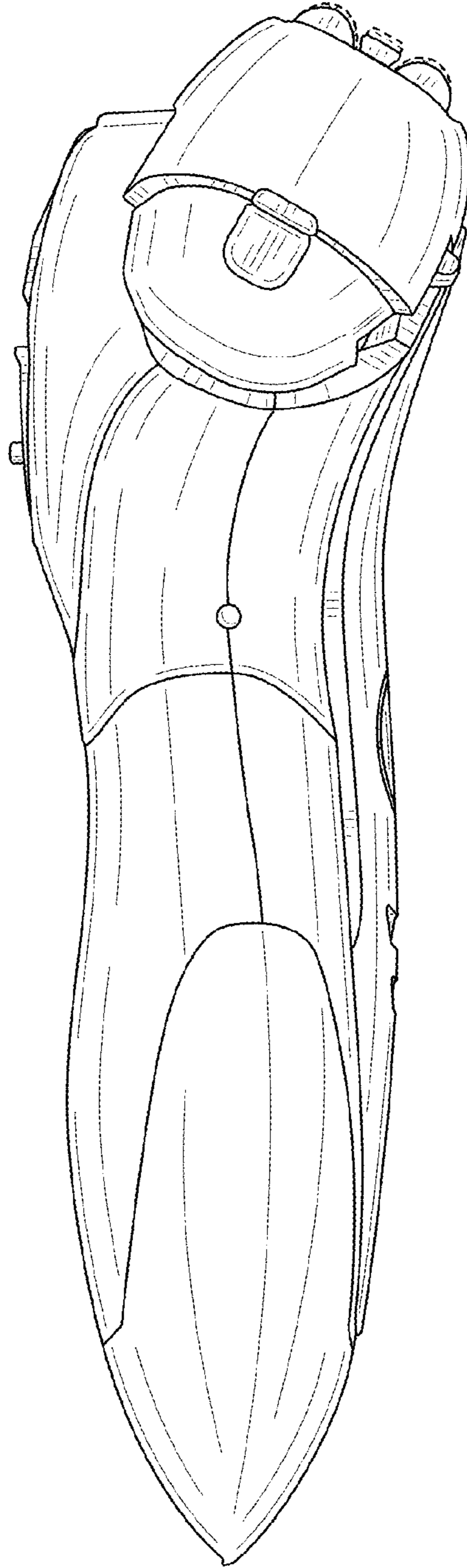




FIG. 8

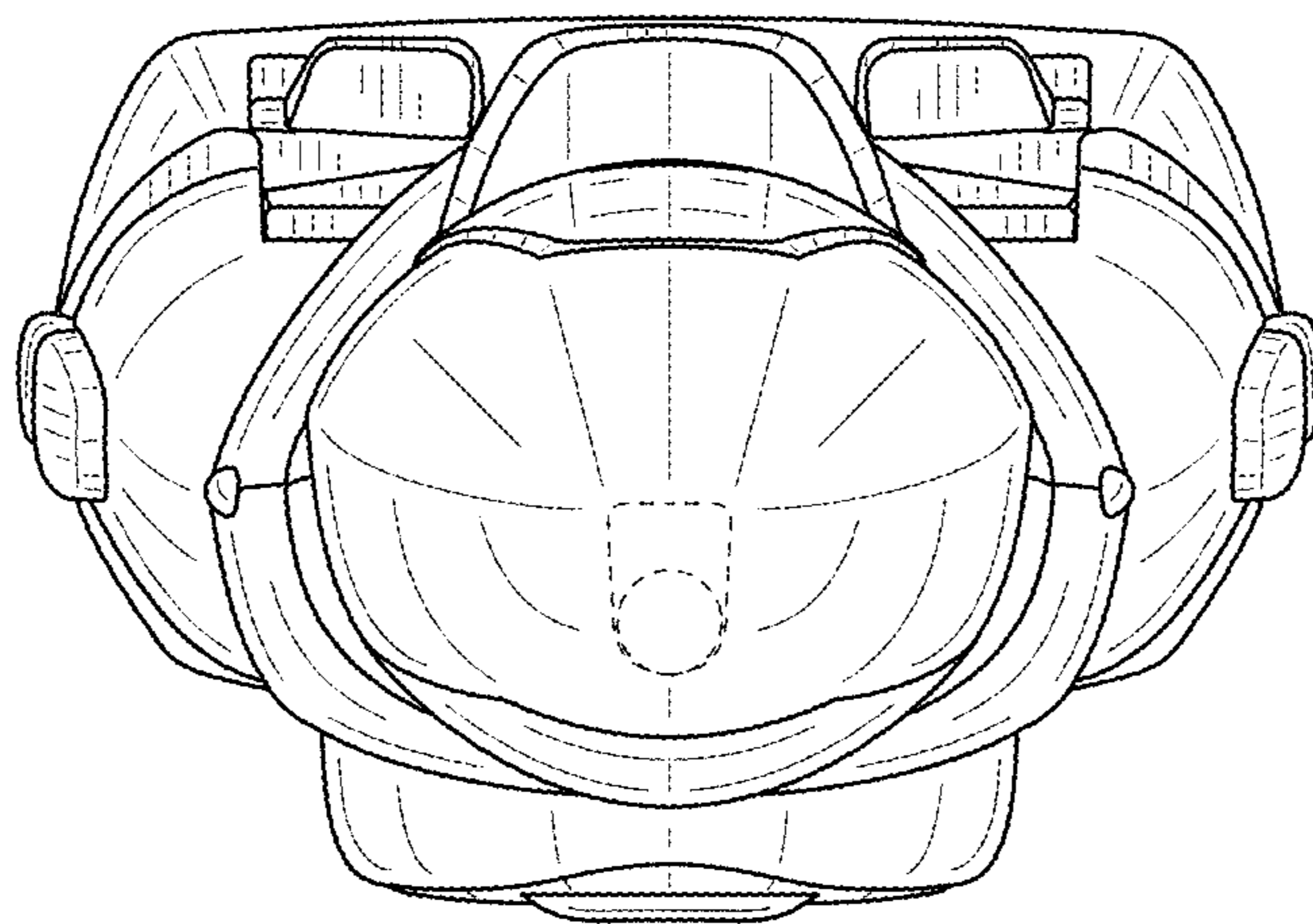


FIG. 9

