

US00D695960S

(12) **United States Design Patent**
Floyd et al.

(10) **Patent No.:** **US D695,960 S**

(45) **Date of Patent:** **** Dec. 17, 2013**

(54) **HANDLE FOR A RAZOR**

(71) Applicant: **The Gillette Company**, Boston, MA
(US)

(72) Inventors: **Brian Lee Floyd**, Cincinnati, OH (US);
Michael Frederick Palmer, Boston,
MA (US); **Andrew Anthony**
Szczepanowski, North Attleboro, MA
(US); **Brandon Albert Lynne**, Daly
City, CA (US); **Jesse Samuel Madsen**,
Oakland, CA (US)

(**) Term: **14 Years**

(21) Appl. No.: **29/444,045**

(22) Filed: **Jan. 25, 2013**

(51) **LOC (9) Cl.** **28-03**

(52) **U.S. Cl.**
USPC **D28/48**

(58) **Field of Classification Search**
USPC 30/32, 34.05, 34.1-34.2, 41.9, 40-40.2,
30/41, 42-46, 47-52, 57-84, 526-541,
30/346.5-346.61; D28/44-48
See application file for complete search history.

(56) **References Cited**

U.S. PATENT DOCUMENTS

D160,322 S * 10/1950 Glaberson D28/46
2,561,110 A * 7/1951 Gray 30/67
3,327,388 A * 6/1967 Sooter 30/539
D228,317 S * 9/1973 Glaberson D28/46

D241,382 S * 9/1976 Jones D28/46
D294,528 S * 3/1988 Gray D28/46
D306,915 S * 3/1990 Luzenberg D28/46
D312,143 S * 11/1990 Schwarz D28/48
D364,706 S * 11/1995 Corcoran D28/46
D437,661 S 2/2001 Pinchuk
D567,442 S * 4/2008 McMullan D28/46
D603,098 S 10/2009 Cataudella
D619,763 S 7/2010 Coresh
D621,095 S 8/2010 Cataudella
D634,894 S 3/2011 Cataudella
8,015,710 B1 * 9/2011 Zyla 30/34.05
D654,222 S 2/2012 Coresh
D672,503 S * 12/2012 Mason et al. D28/45
2001/0003869 A1 * 6/2001 Rocha 30/41

* cited by examiner

Primary Examiner — Jennifer Rivard

(74) *Attorney, Agent, or Firm* — John M. Lipchitz; Kevin C.
Johnson; Steven W. Miller

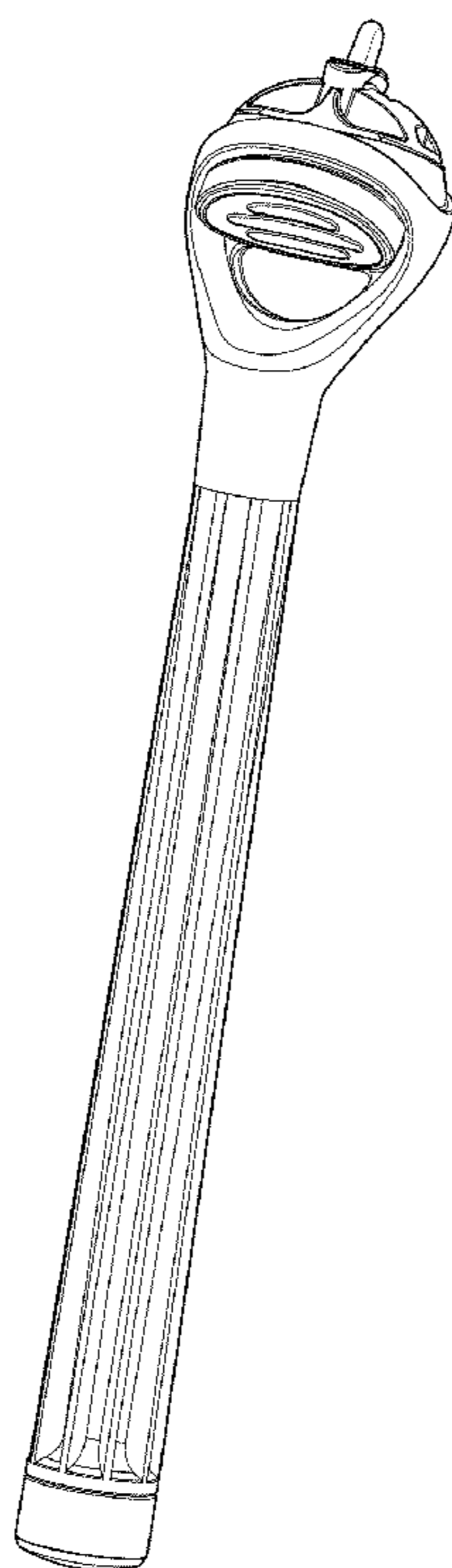
(57) **CLAIM**

The ornamental design for a handle for a razor, as shown and
described.

DESCRIPTION

FIG. 1 is a perspective view of a handle for a razor of the
present invention;
FIG. 2 is a front view thereof;
FIG. 3 is a rear view thereof;
FIG. 4 is a right side view thereof;
FIG. 5 is a left side view thereof;
FIG. 6 is a top view thereof; and,
FIG. 7 is a bottom view thereof.

1 Claim, 4 Drawing Sheets



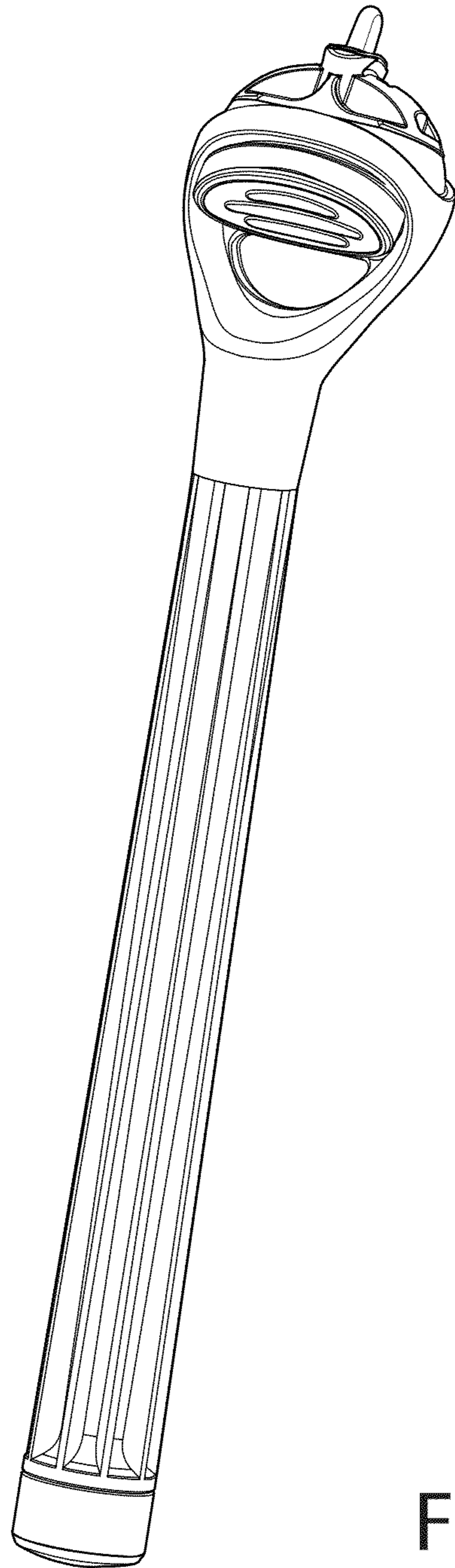


Fig. 1

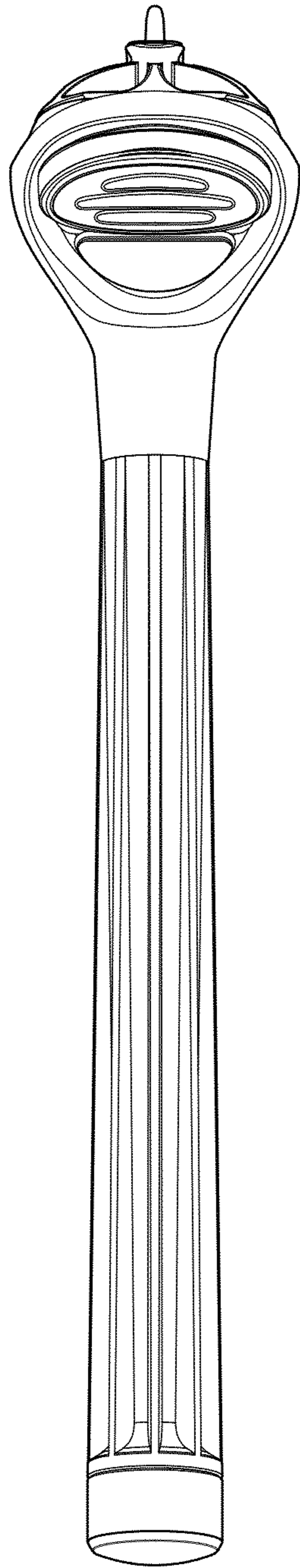


Fig. 2

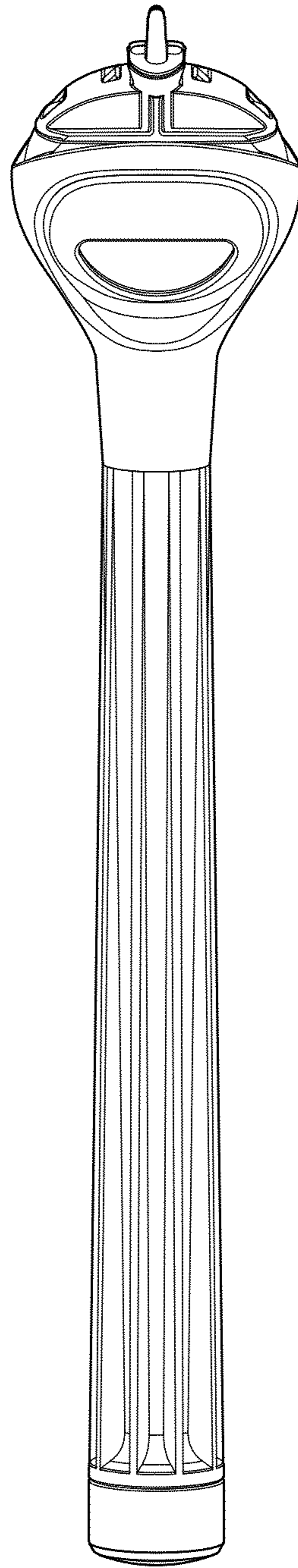


Fig. 3

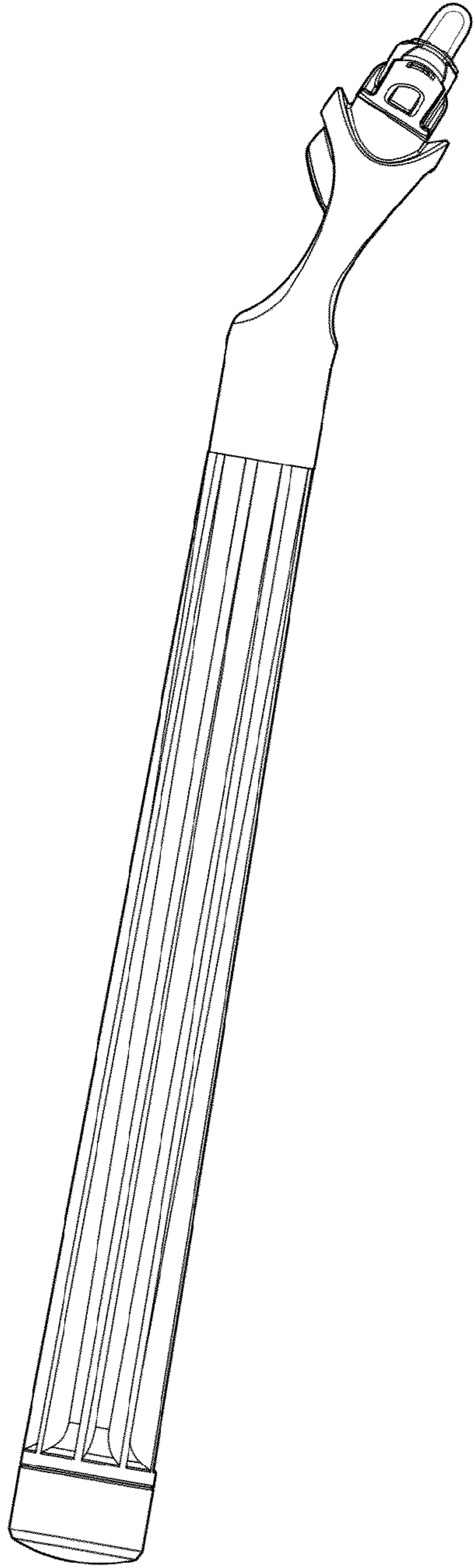


Fig. 4

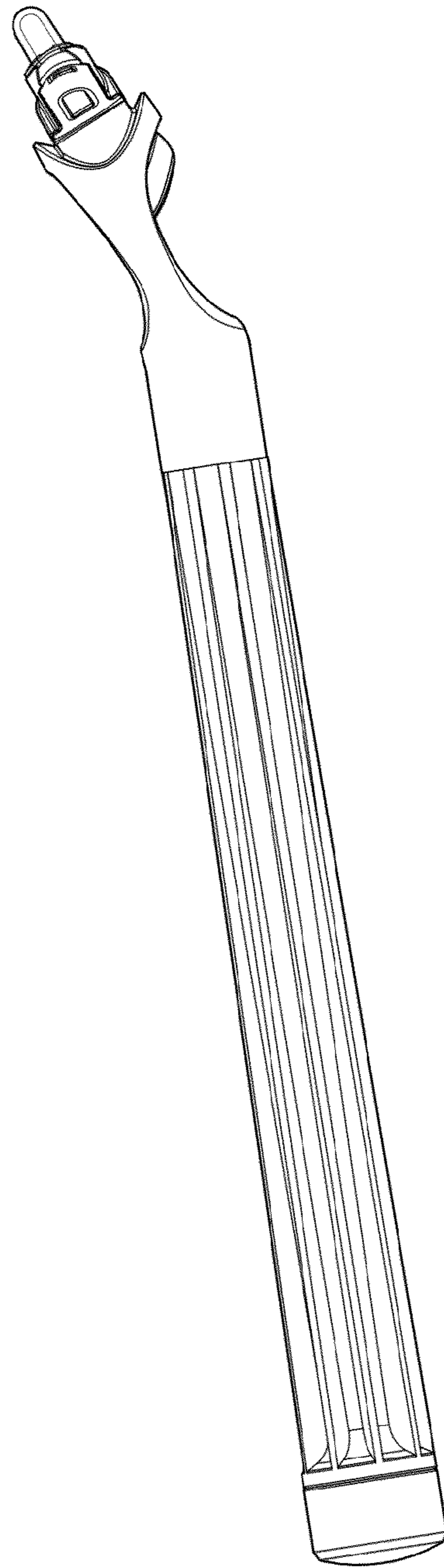


Fig. 5

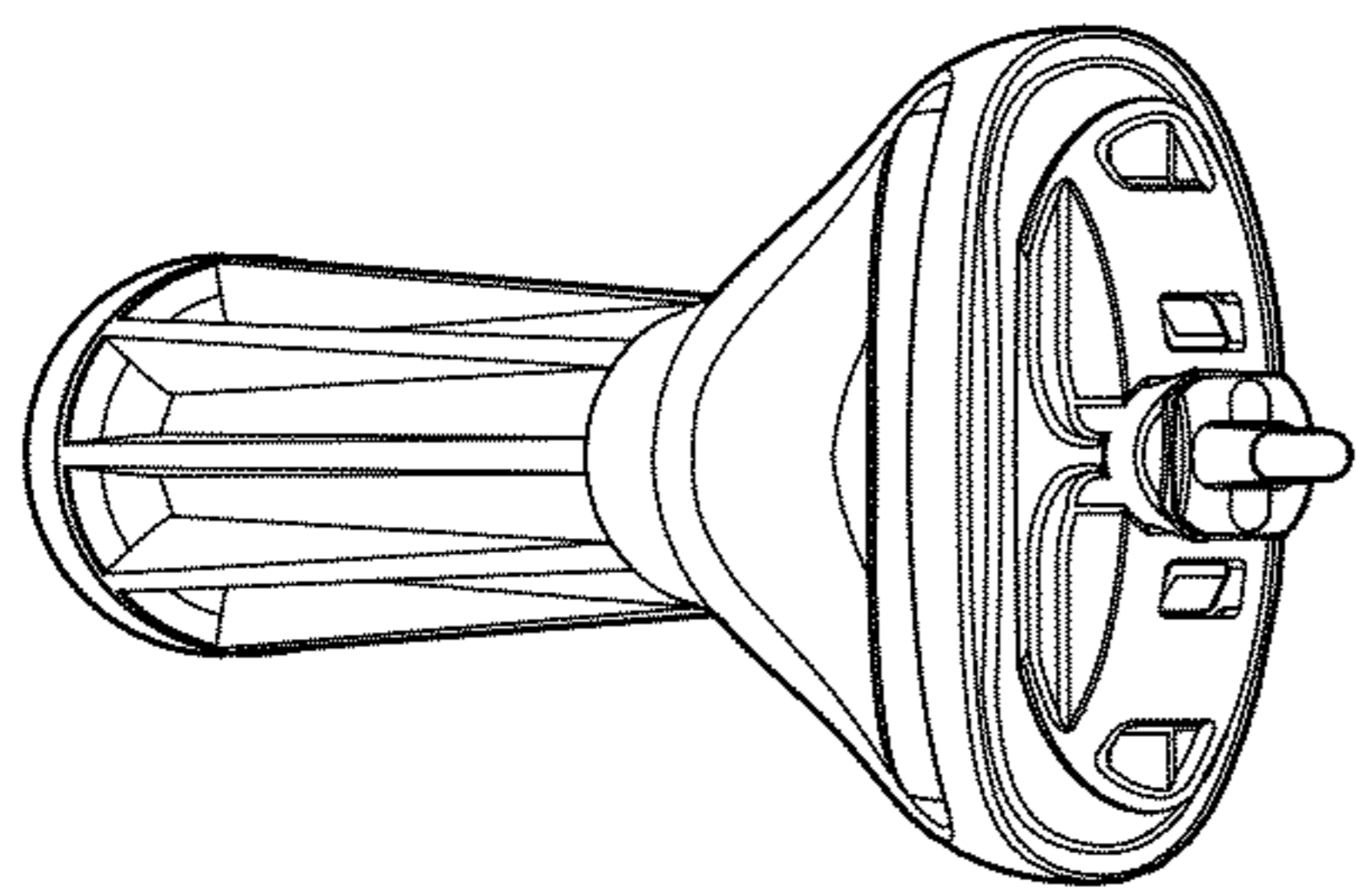


Fig. 6

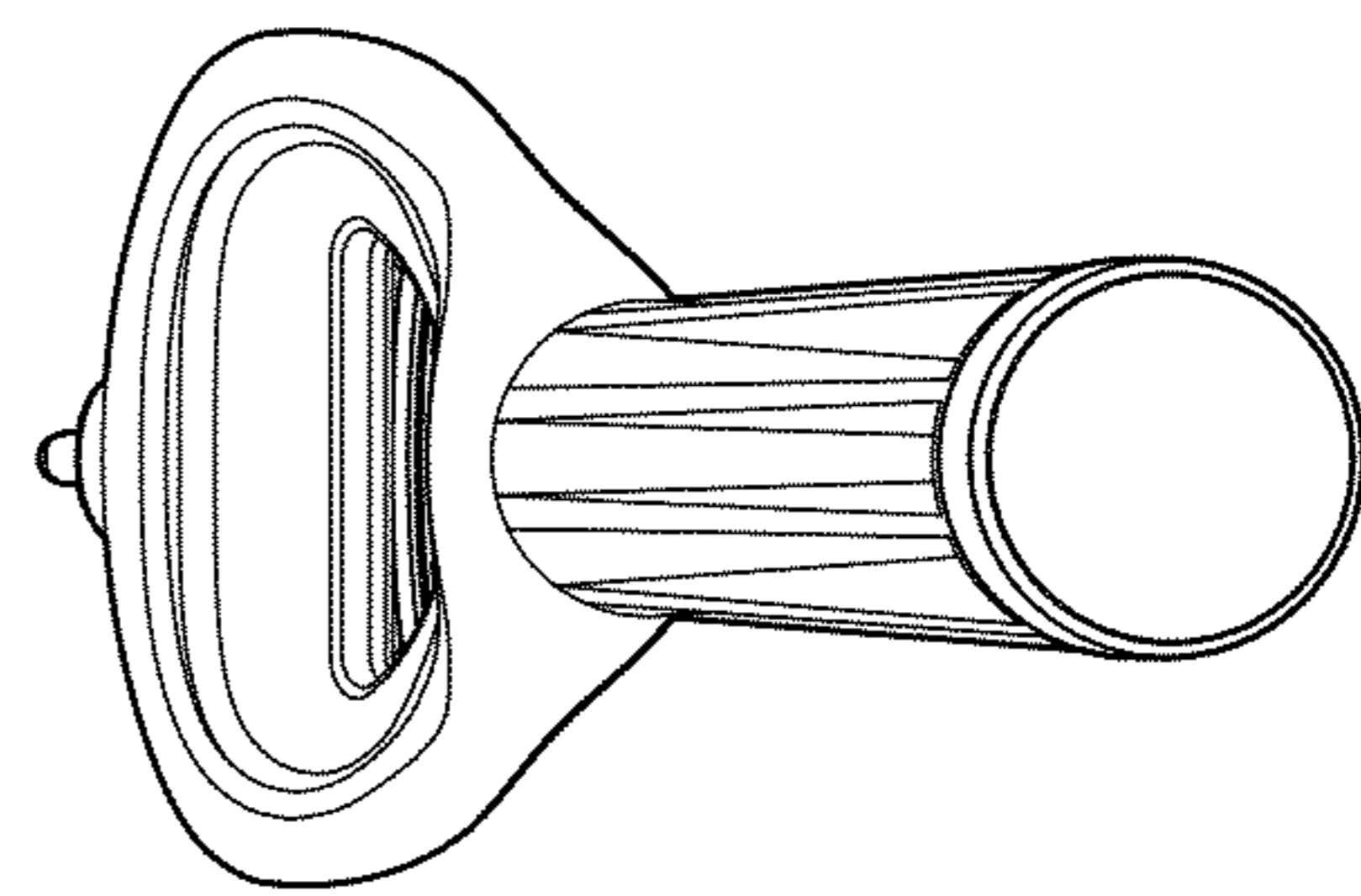


Fig. 7