



US00D695959S

(12) **United States Design Patent**
Shami

(10) **Patent No.:** **US D695,959 S**

(45) **Date of Patent:** **** Dec. 17, 2013**

(54) **HEATED HAIR ROLLER CAROUSEL**

(75) **Inventor:** **Farouk Shami**, Spring, TX (US)

(73) **Assignee:** **Farouk Systems, Inc.**, Houston, TX (US)

(**) **Term:** **14 Years**

(21) **Appl. No.:** **29/429,886**

(22) **Filed:** **Aug. 17, 2012**

(51) **LOC (9) Cl.** **28-03**

(52) **U.S. Cl.**
USPC **D28/38**

(58) **Field of Classification Search**
USPC 219/222–226; 132/222, 223–272;
D28/35, 37–38

See application file for complete search history.

(56) **References Cited**

U.S. PATENT DOCUMENTS

D215,258	S	*	9/1969	Daher	D28/38
D397,828	S	*	9/1998	Kip	D28/38
6,035,099	A	*	3/2000	Stern	219/222
6,084,210	A	*	7/2000	Glucksman	219/222
D447,600	S	*	9/2001	Micinilio	D28/38
D490,187	S	*	5/2004	Micinilio	D28/38
D506,851	S	*	6/2005	Schmitz	D28/35

D621,094	S	*	8/2010	Kaizuka	D28/38
D683,500	S	*	5/2013	Cheung	D28/38
2009/0165811	A1	*	7/2009	Zimmerman	219/222

* cited by examiner

Primary Examiner — Jennifer Rivard

(74) *Attorney, Agent, or Firm* — George P. Kobler; Lanier Ford Shaver & Payne P.C.

(57) **CLAIM**

The ornamental design for the heated hair roller carousel, as shown and described.

DESCRIPTION

FIG. 1 is a top prospective view of a heated hair roller carousel showing my new design;

FIG. 2 is front end view thereof;

FIG. 3 is a rear end view thereof;

FIG. 4 is a left side view thereof;

FIG. 5 is a right side view thereof;

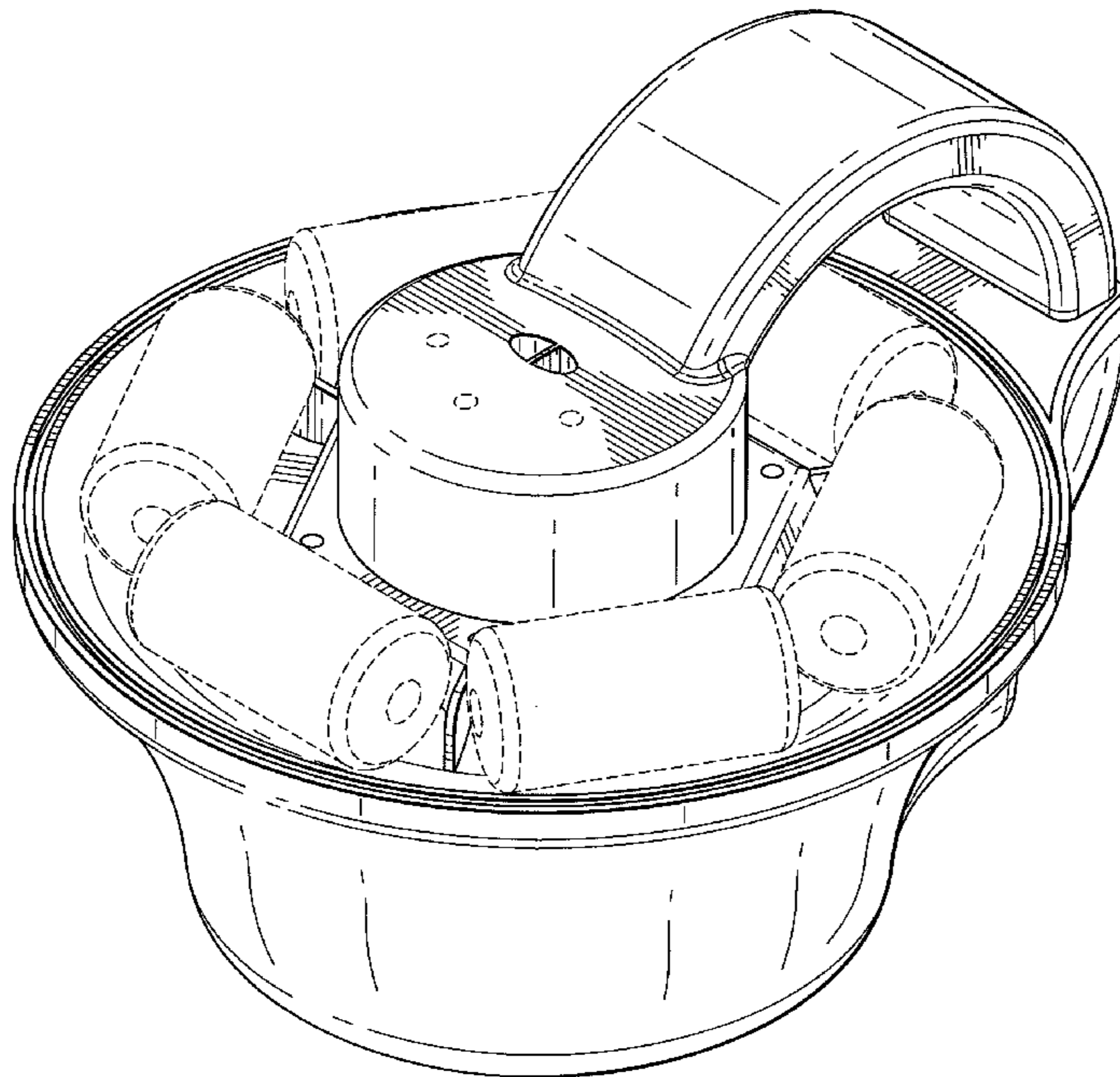
FIG. 6 is a top view thereof;

FIG. 7 is a bottom view thereof; and,

FIG. 8 is a top perspective view of thereof, including rollers illustrated with broken lines.

The broken line disclosure of the hair rollers illustrates environmental structure. The remaining broken lines illustrate portions of the carousel. None of the broken lines forms part of the claimed design.

1 Claim, 8 Drawing Sheets



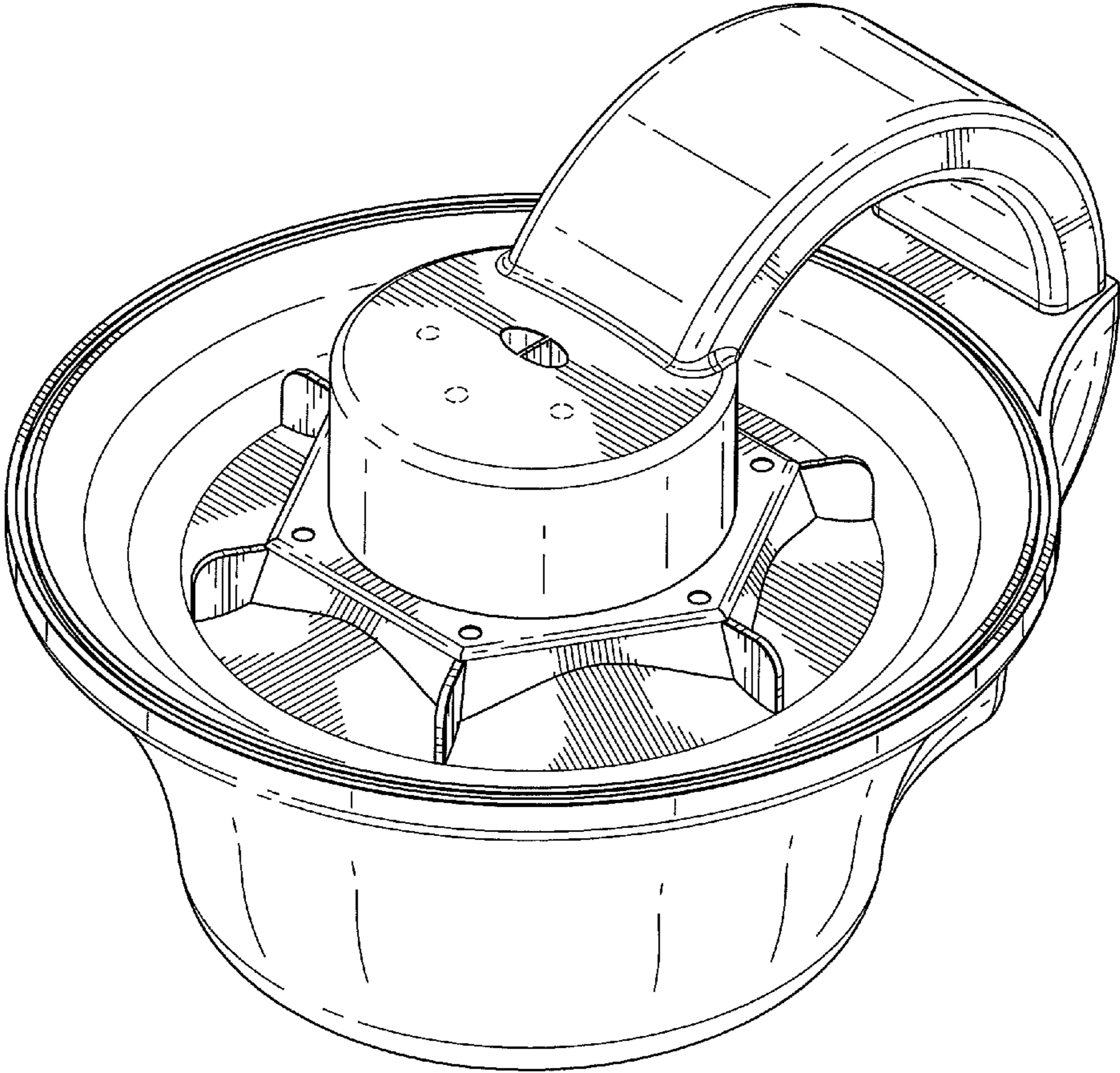


FIG. 1

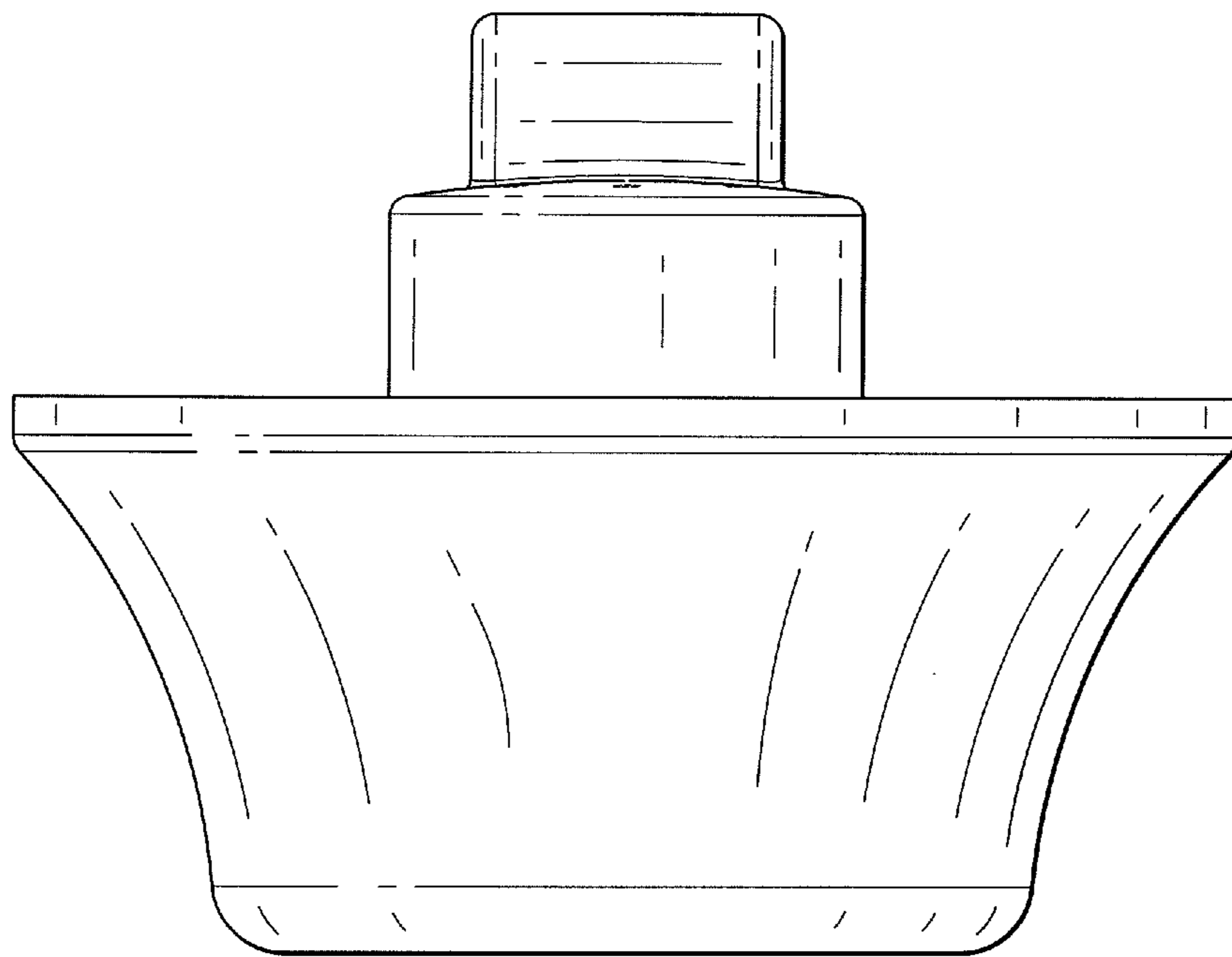


FIG. 2

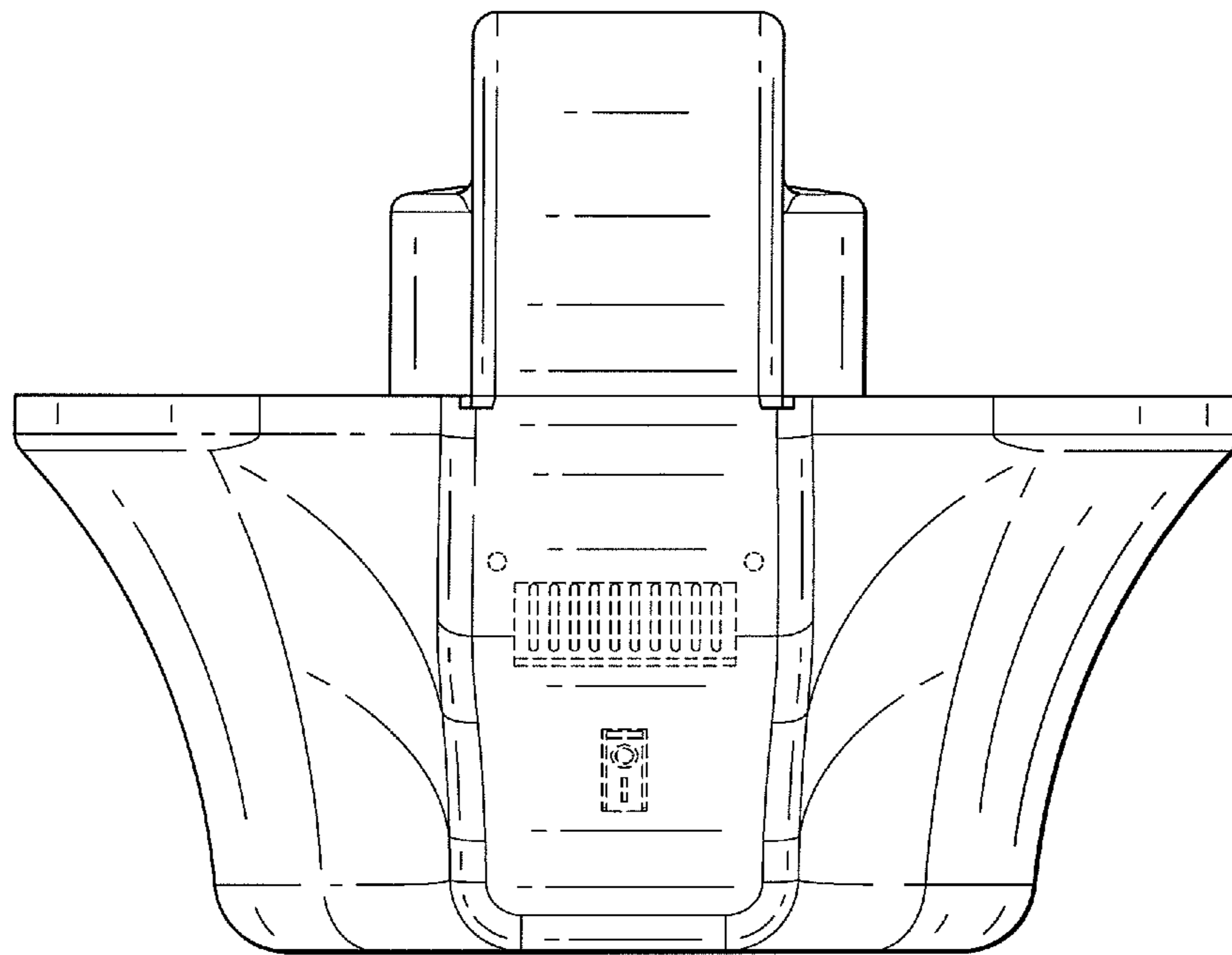


FIG. 3

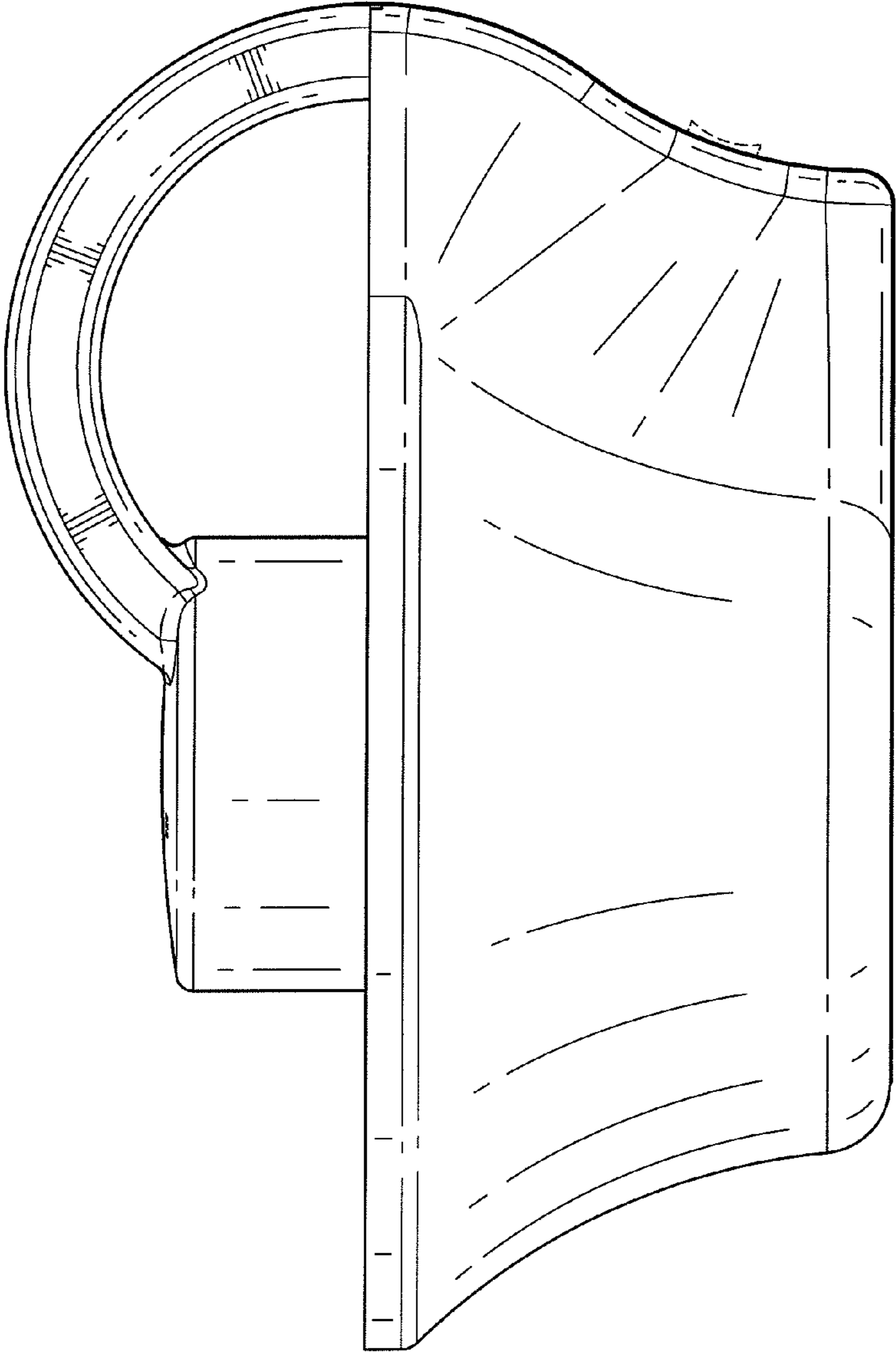


FIG. 4

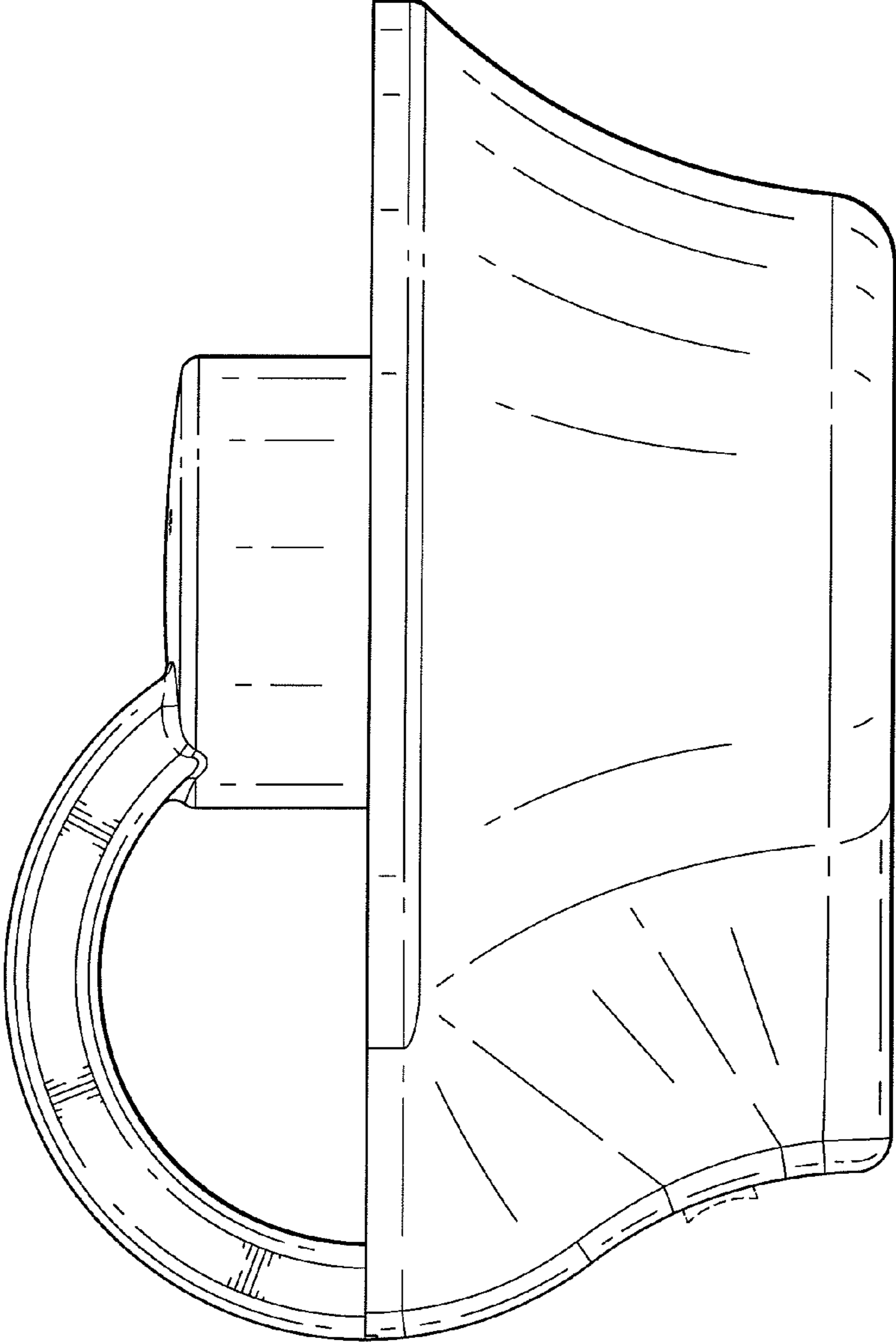


FIG. 5

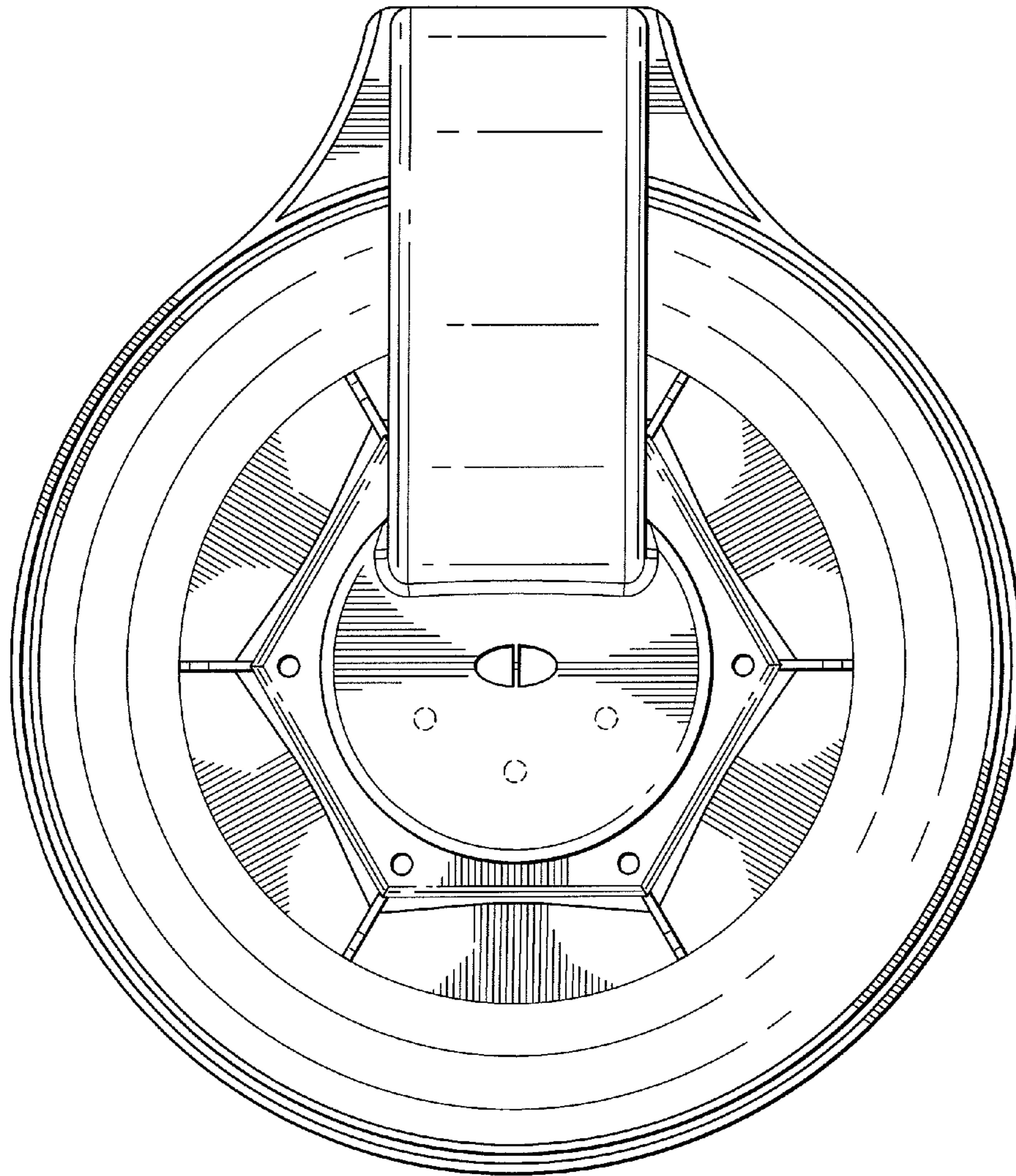


FIG. 6

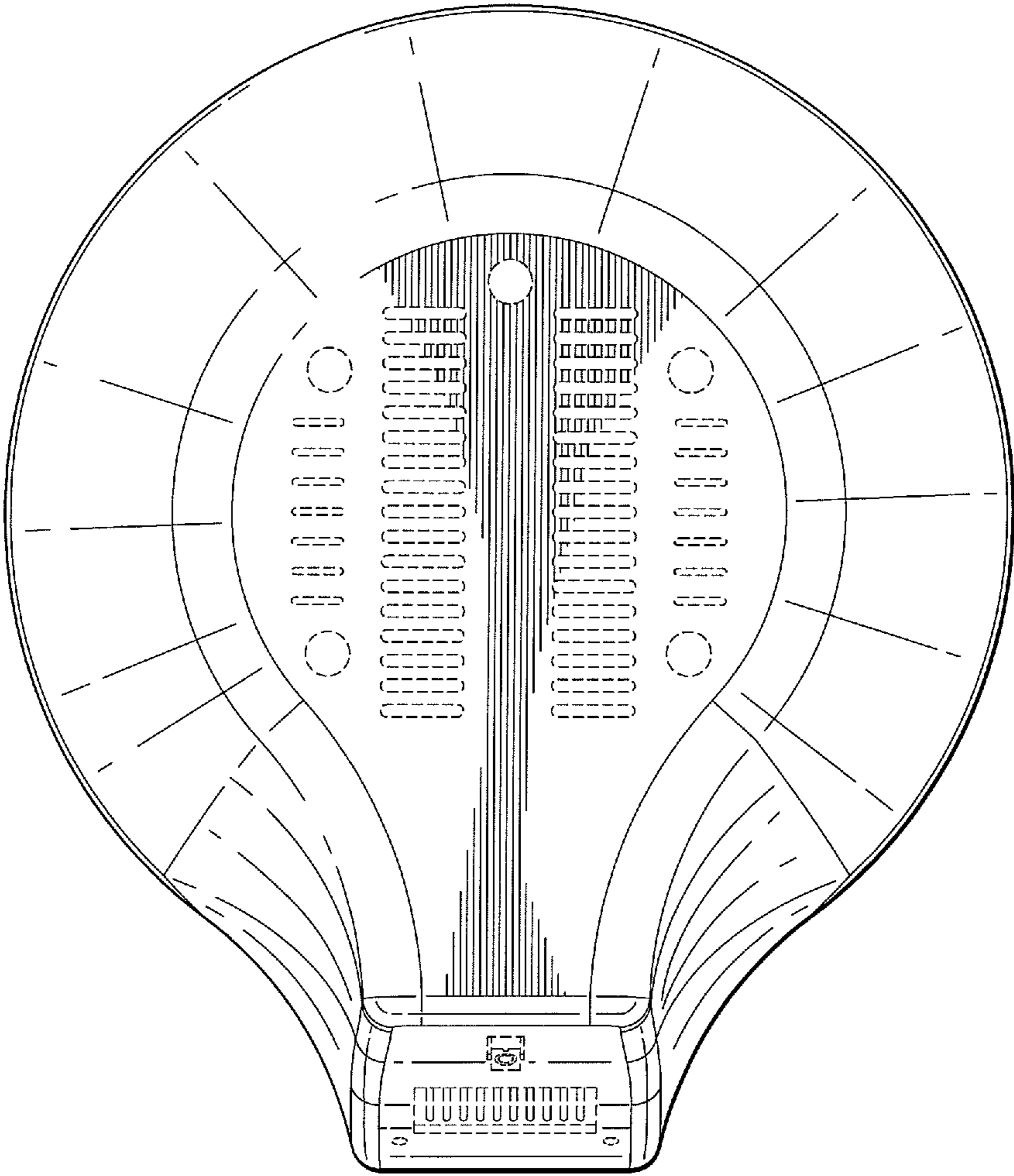


FIG. 7

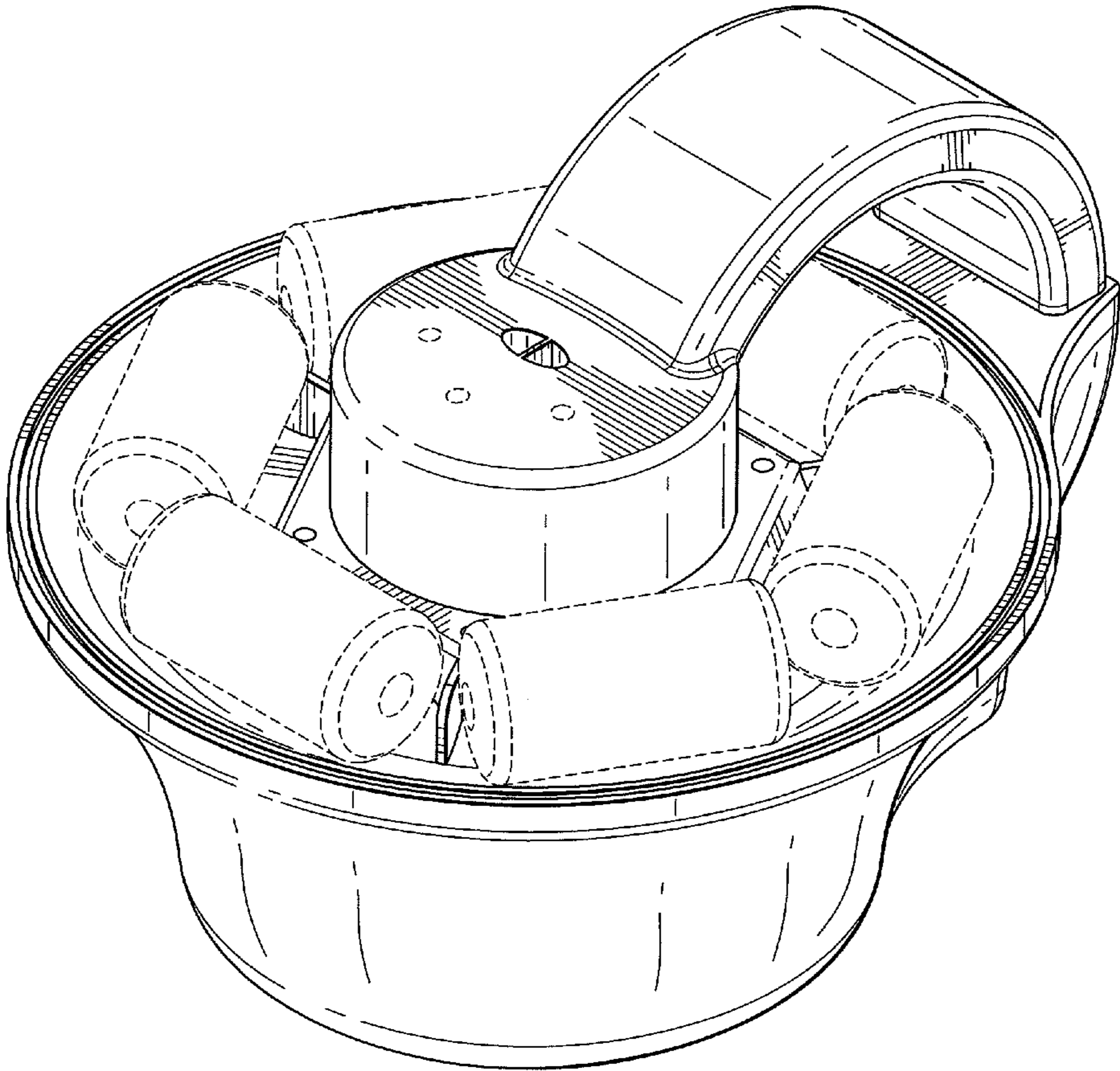


FIG. 8