

US00D695957S

(12) **United States Design Patent**  
**Faria et al.**

(10) **Patent No.:** **US D695,957 S**  
(45) **Date of Patent:** **\*\* Dec. 17, 2013**

(54) **SOAP**

(71) Applicant: **Natura Cosméticos S.A.**, Itapecerica da Serra (BR)

(72) Inventors: **Marcio Miranda de Faria**, Vinhedo (BR); **Gustavo Senna Chelles**, São Paulo (BR); **Larissa Fortunato Pires**, São Paulo (BR); **Marflia Gabriela Guerreiro Pinheiro**, Vila Dalila (BR)

(73) Assignee: **Natura Cosméticos S.A.**, Itapecerica da Serra SP (BR)

(\*\*) Term: **14 Years**

(21) Appl. No.: **29/438,369**

(22) Filed: **Nov. 29, 2012**

(30) **Foreign Application Priority Data**

May 31, 2012 (BR) ..... 302012002757

(51) **LOC (9) Cl.** ..... **28-02**

(52) **U.S. Cl.**  
USPC ..... **D28/8.1**

(58) **Field of Classification Search**  
USPC ..... 510/133, 141-156, 440, 129;  
D28/8.1-8.2

See application file for complete search history.

(56) **References Cited**

U.S. PATENT DOCUMENTS

D202,006	S	*	8/1965	Slipian	.....	D28/8.1
D387,482	S	*	12/1997	Khan	.....	D28/8.1
D485,010	S	*	1/2004	Crawford	.....	D28/8.1
D527,144	S	*	8/2006	Crawford et al.	.....	D28/8.1
D535,782	S	*	1/2007	Caceres et al.	.....	D28/8.1
D668,385	S	*	10/2012	Huljak et al.	.....	D28/8.1
2009/0082239	A1	*	3/2009	Baquete et al.	.....	510/144

\* cited by examiner

*Primary Examiner* — Jennifer Rivard

(74) *Attorney, Agent, or Firm* — B. Aaron Schulman; Stites & Harbison, PLLC

(57) **CLAIM**

The ornamental design for a soap, as shown and described.

**DESCRIPTION**

FIG. 1—is a perspective view showing the new design for a soap;

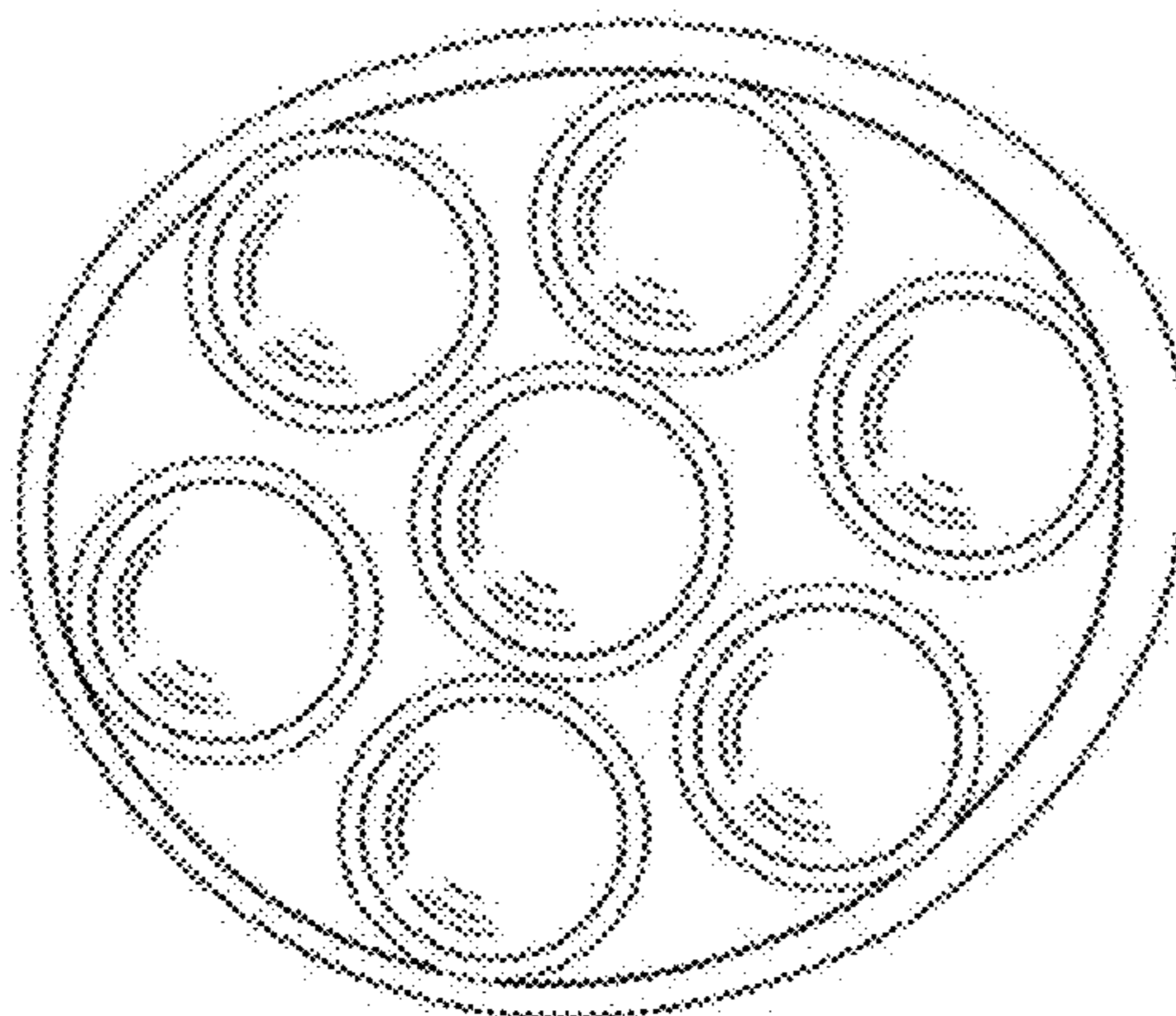
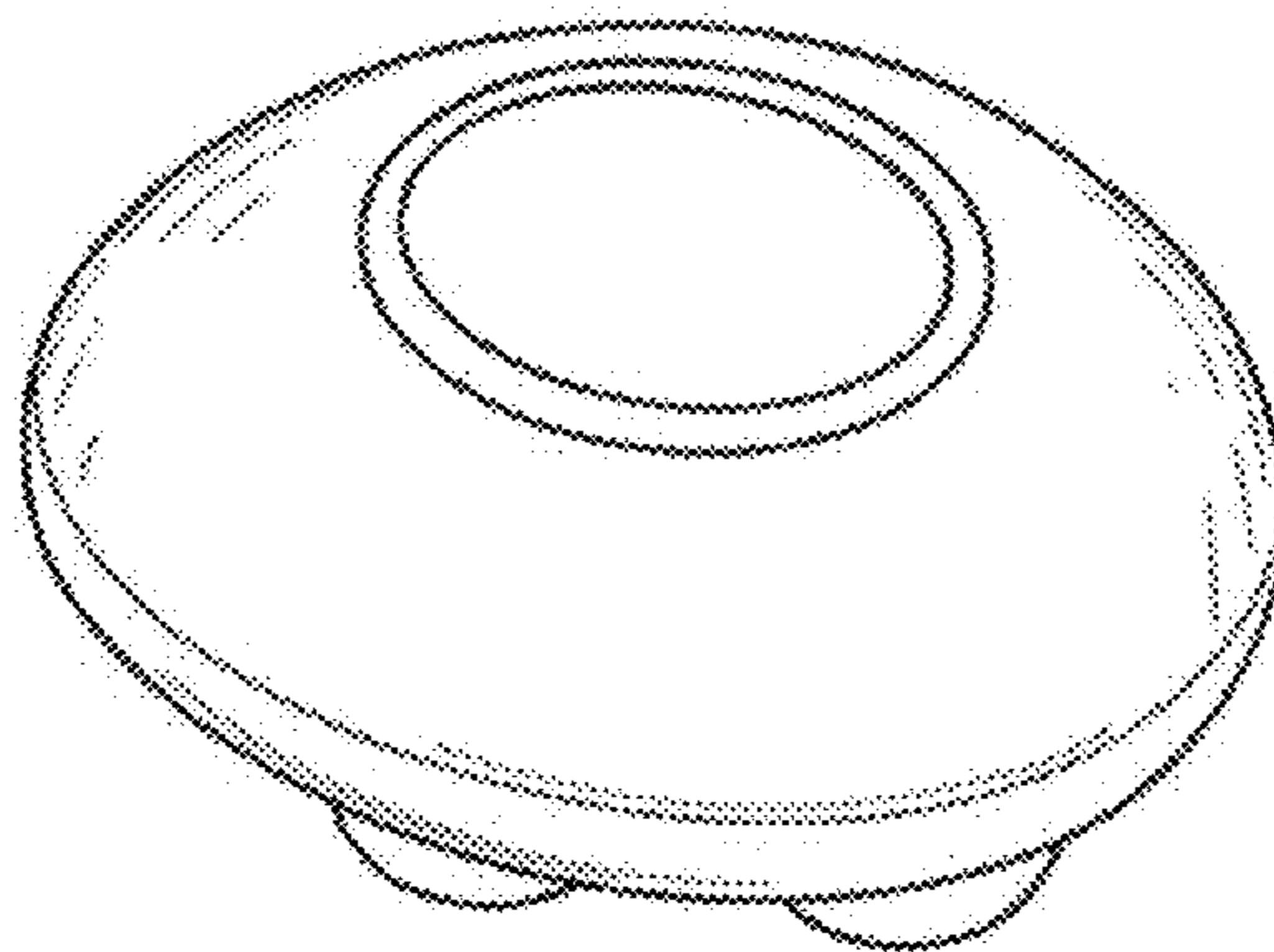
FIG. 2—is a top view thereof;

FIG. 3—is a bottom view thereof;

FIG. 4—is a front view thereof; and,

FIG. 5—is a side view thereof.

**1 Claim, 1 Drawing Sheet**



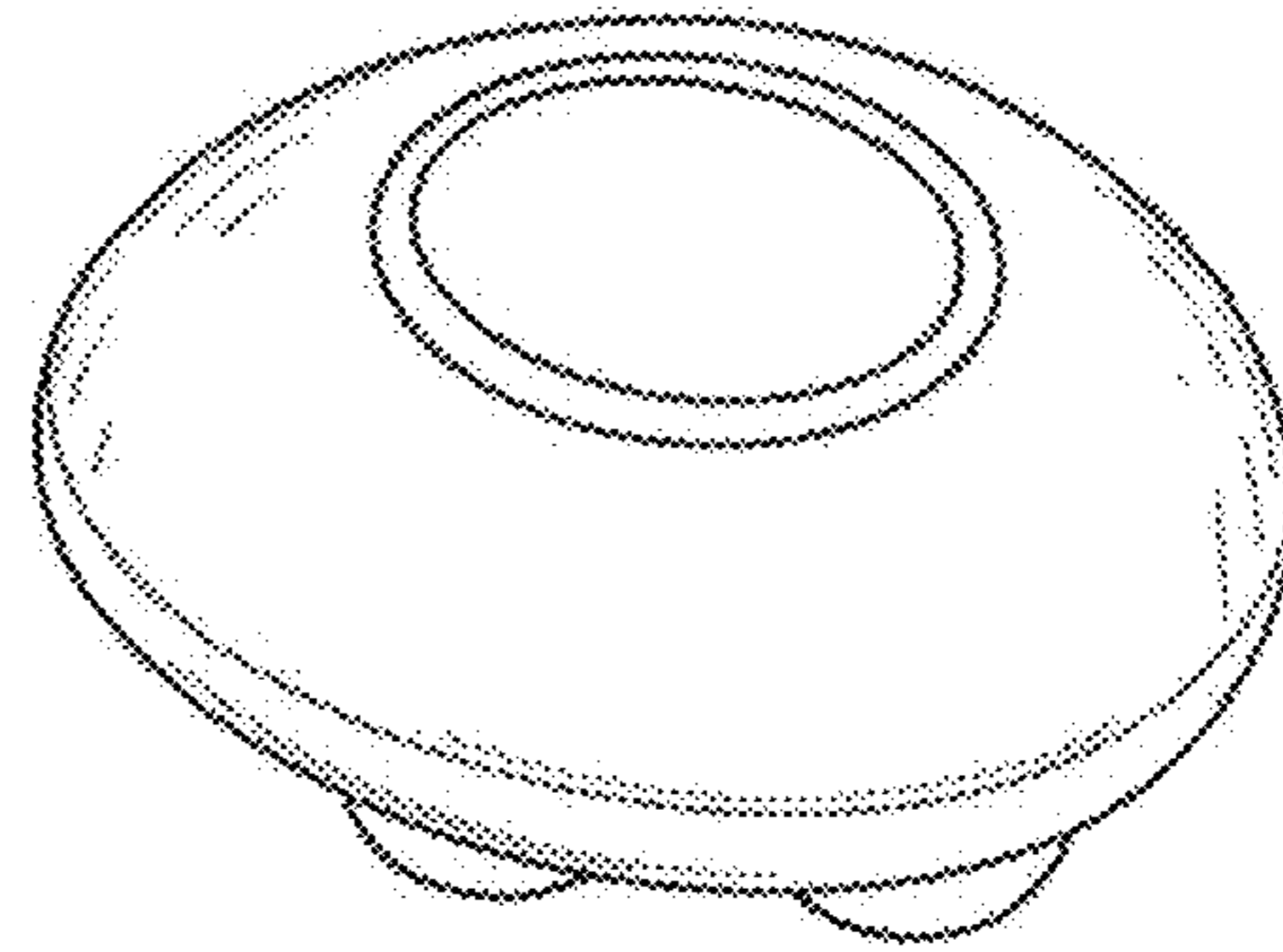


FIG. 1

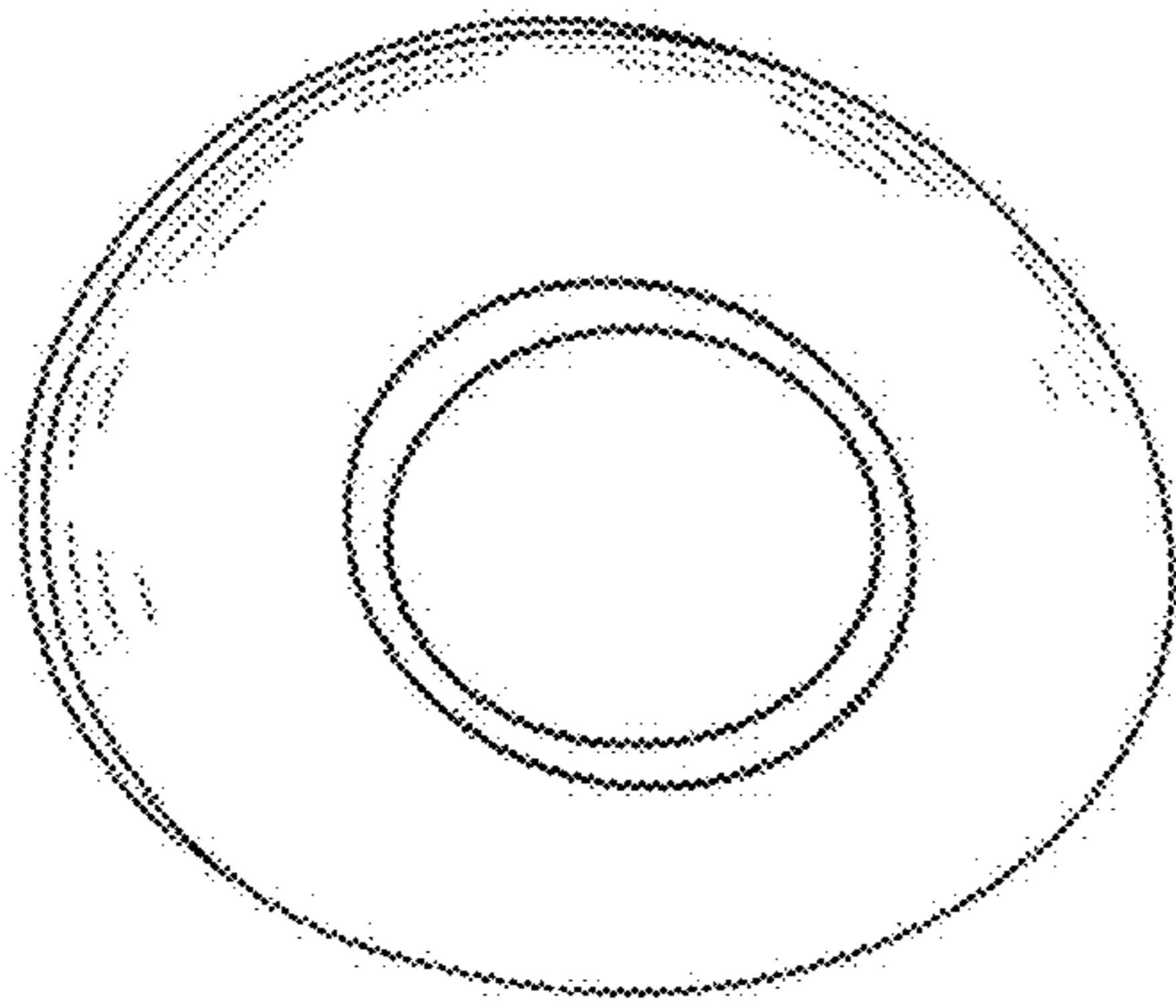


FIG. 2

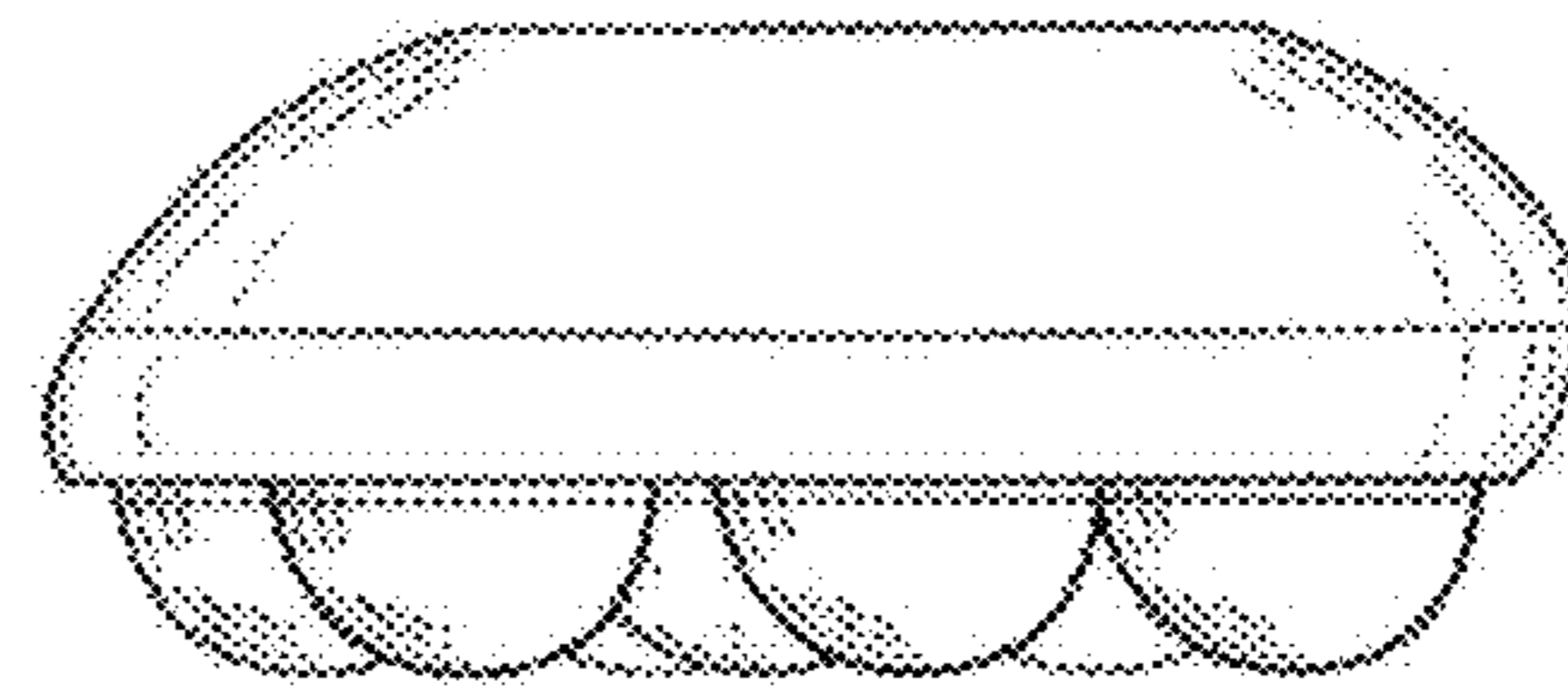


FIG. 4

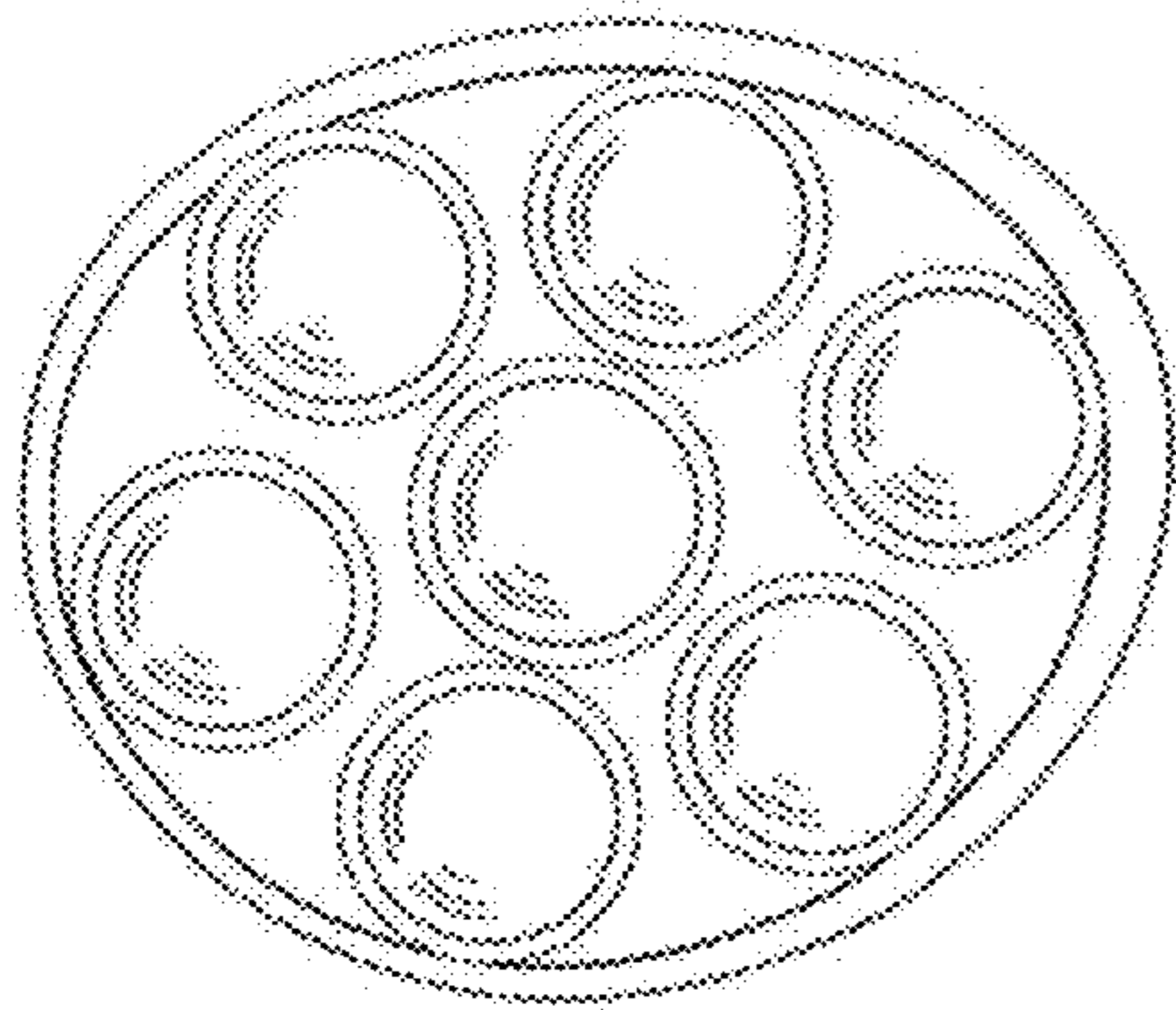


FIG. 3

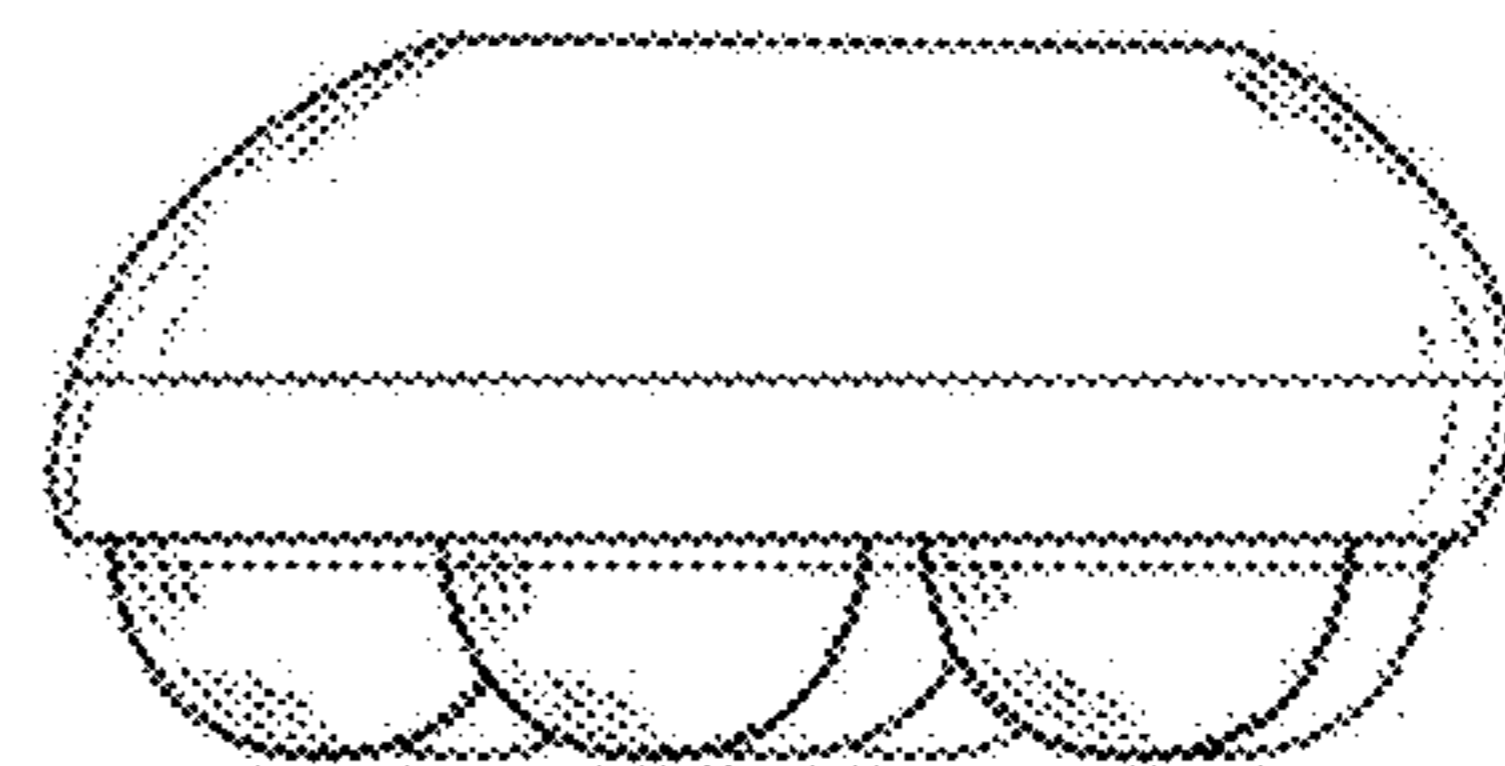


FIG. 5