

US00D695956S

(12) **United States Design Patent**  
**Mayer et al.**

(10) **Patent No.:** **US D695,956 S**

(45) **Date of Patent:** **\*\* \*Dec. 17, 2013**

(54) **DOOR AND WINDOW STOPPERS**

(56) **References Cited**

(75) Inventors: **Frank Friedrich Mayer**, Bad Duerkheim (DE); **Ralph Kraemer**, Saarbruecken (DE)

U.S. PATENT DOCUMENTS

(73) Assignee: **Frank Friedrich Mayer**, Bad Duerkheim (DE)

|                   |         |                    |         |
|-------------------|---------|--------------------|---------|
| D74,962 S *       | 4/1928  | Crawford .....     | D8/378  |
| D77,569 S *       | 1/1929  | Vermillion .....   | D8/378  |
| D166,924 S *      | 6/1952  | Roller .....       | D27/192 |
| D218,143 S *      | 7/1970  | Kinder et al. .... | D8/499  |
| D333,424 S *      | 2/1993  | Kramer .....       | D8/402  |
| D373,717 S *      | 9/1996  | Ferverda .....     | D8/330  |
| D410,380 S *      | 6/1999  | Towns .....        | D8/402  |
| D530,194 S *      | 10/2006 | Farzan .....       | D8/402  |
| D571,196 S *      | 6/2008  | Mayer .....        | D8/402  |
| D646,155 S *      | 10/2011 | Mayer .....        | D8/402  |
| D646,560 S *      | 10/2011 | Mayer .....        | D8/402  |
| 2007/0192989 A1 * | 8/2007  | Farzan .....       | 16/82   |
| 2008/0222847 A1 * | 9/2008  | Mayer .....        | 16/86 R |

(\*) Notice: This patent is subject to a terminal disclaimer.

(\*\*) Term: **14 Years**

(21) Appl. No.: **29/414,762**

(22) Filed: **Mar. 2, 2012**

(30) **Foreign Application Priority Data**

Sep. 6, 2011 (EM) ..... 001 913 336-0001  
Sep. 6, 2011 (EM) ..... 001 913 336-0002

(51) **LOC (9) Cl.** ..... **27-06**

(52) **U.S. Cl.**  
USPC ..... **D27/186; D9/428**

(58) **Field of Classification Search**  
USPC ..... D8/395, 400-404, 499, 391, 393, 388, D8/360, 378; D9/456, 614, 623, 628, 640, D9/673; 160/181; D21/385, 418, 426, 430, D21/441, 447-449, 51, 499, 582, 587, 593, D21/594, 621; 40/331, 599; 16/71, 82, 83, 16/375, 342, 85, 86 B; D28/91.1, 38, 39, D28/54.1; D11/36, 32, 53, 78.1, 101, 113, D11/136, 150, 160, 162; D6/332, 553-574; D20/19, 42, 43; D19/34.1, 34.5, 65, D19/90, 96; 292/343, 342, 288; 248/188.2; D25/38.1; D29/124

See application file for complete search history.

\* cited by examiner

*Primary Examiner* — Robert M Spear

*Assistant Examiner* — Janice Hallmark

(74) *Attorney, Agent, or Firm* — Jordan and Hamburg LLP

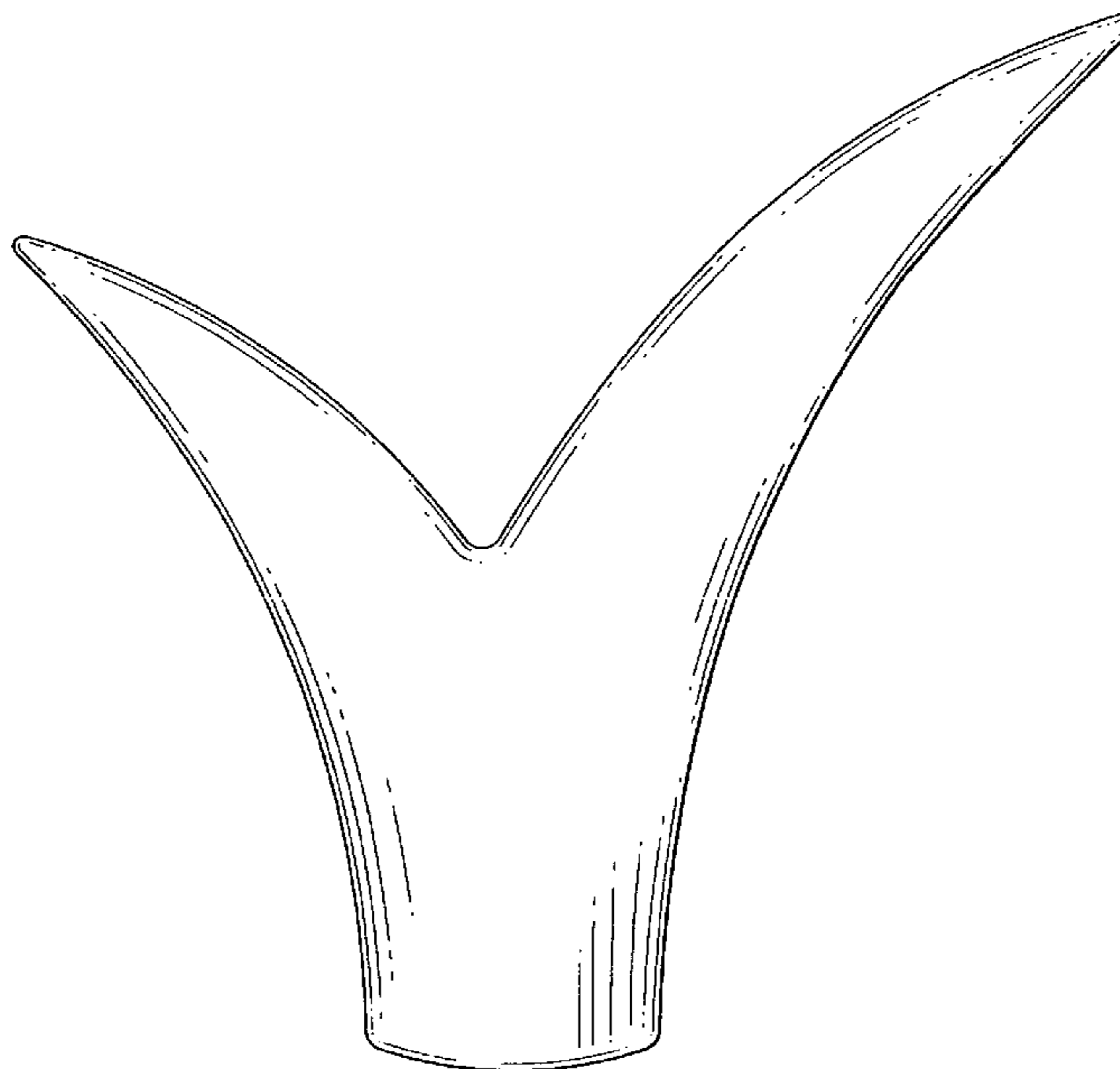
(57) **CLAIM**

The ornamental design for a door and window stopper, as shown.

**DESCRIPTION**

FIG. 1 is a front elevational view of a door and window stopper showing my new design;  
FIG. 2 is a rear elevational view of FIG. 1;  
FIG. 3 is a right side elevational view of FIG. 1;  
FIG. 4 is a top plan view of FIG. 1;  
FIG. 5 is a perspective view of FIG. 1;  
FIG. 6 is a left side elevational view of FIG. 1; and,  
FIG. 7 is a bottom plan view of FIG. 1.

**1 Claim, 4 Drawing Sheets**



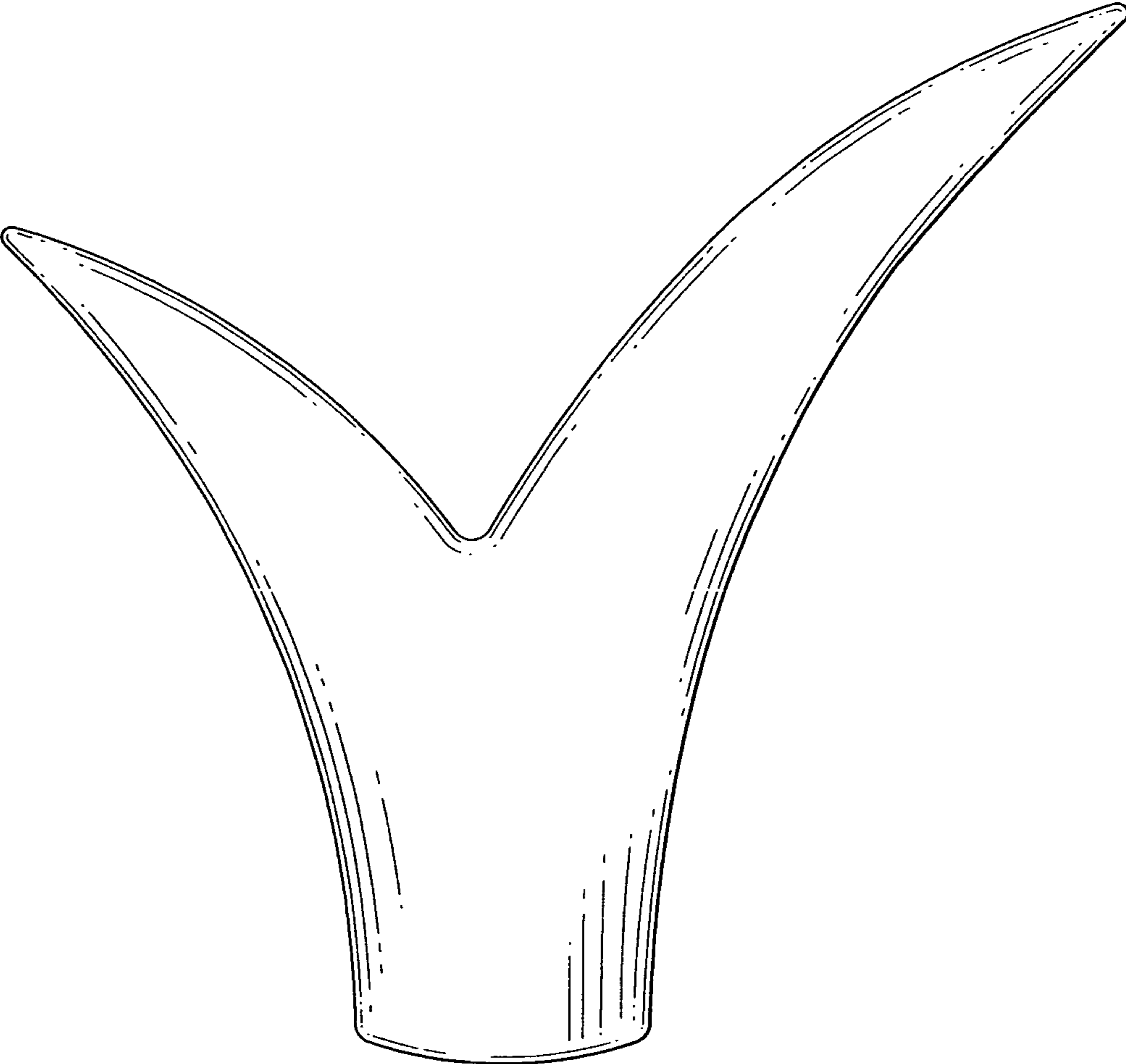


FIG. 1

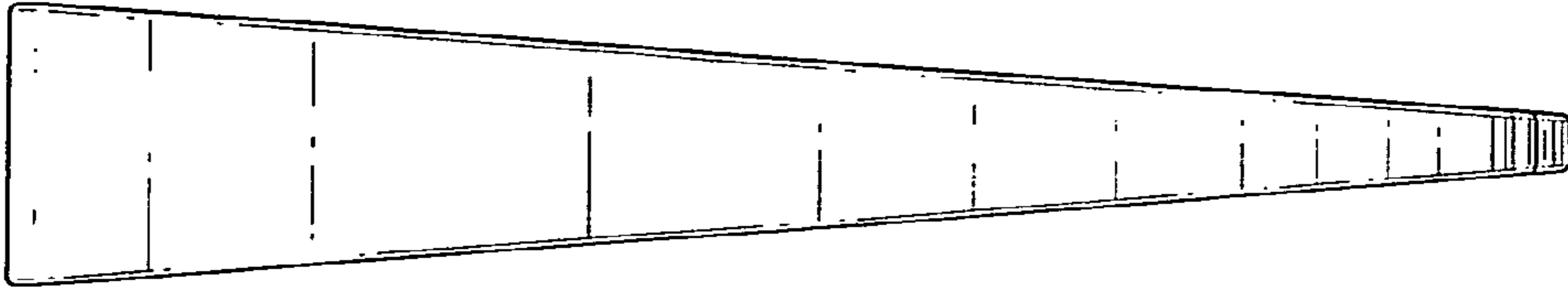


FIG. 3

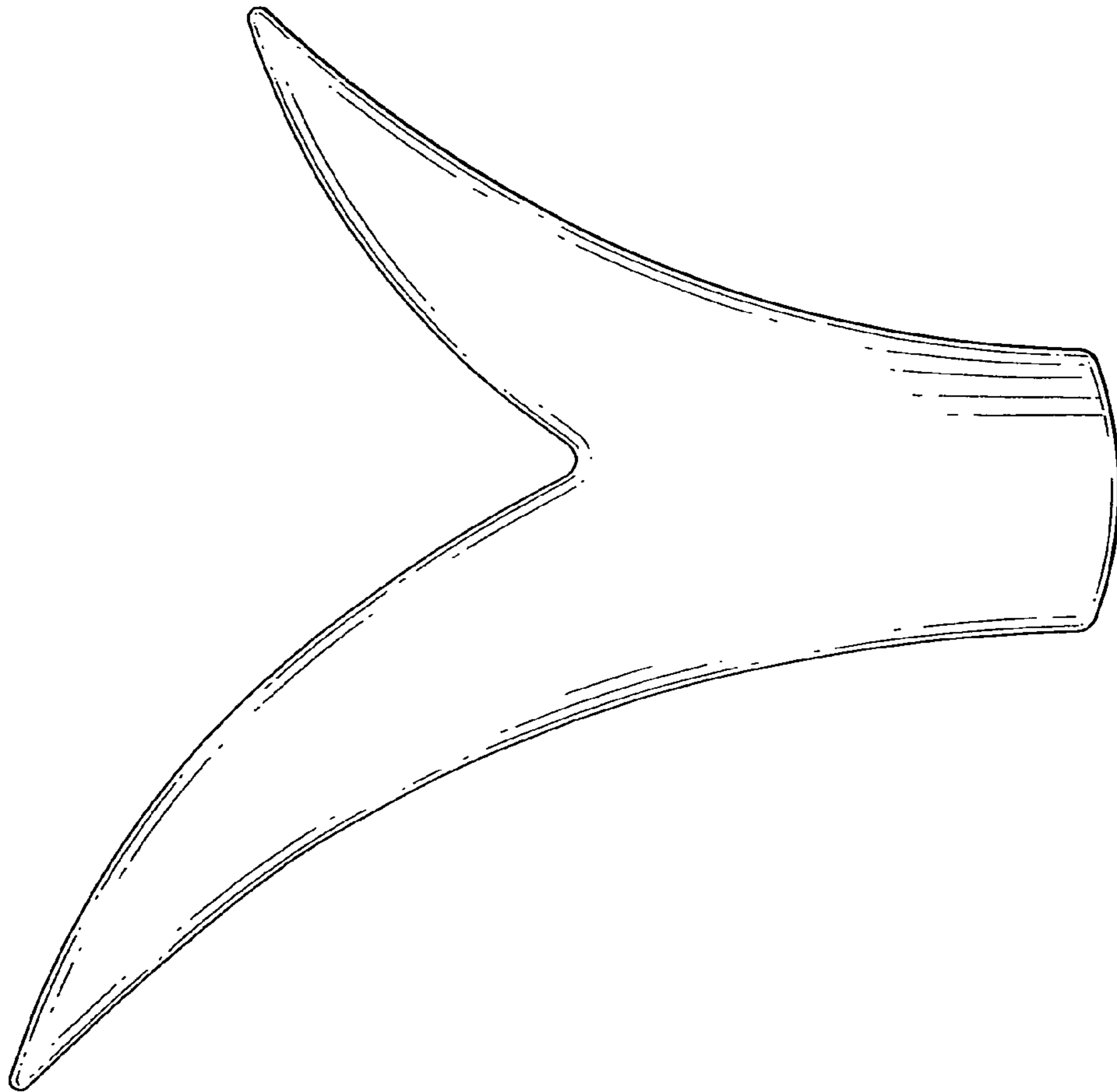


FIG. 2

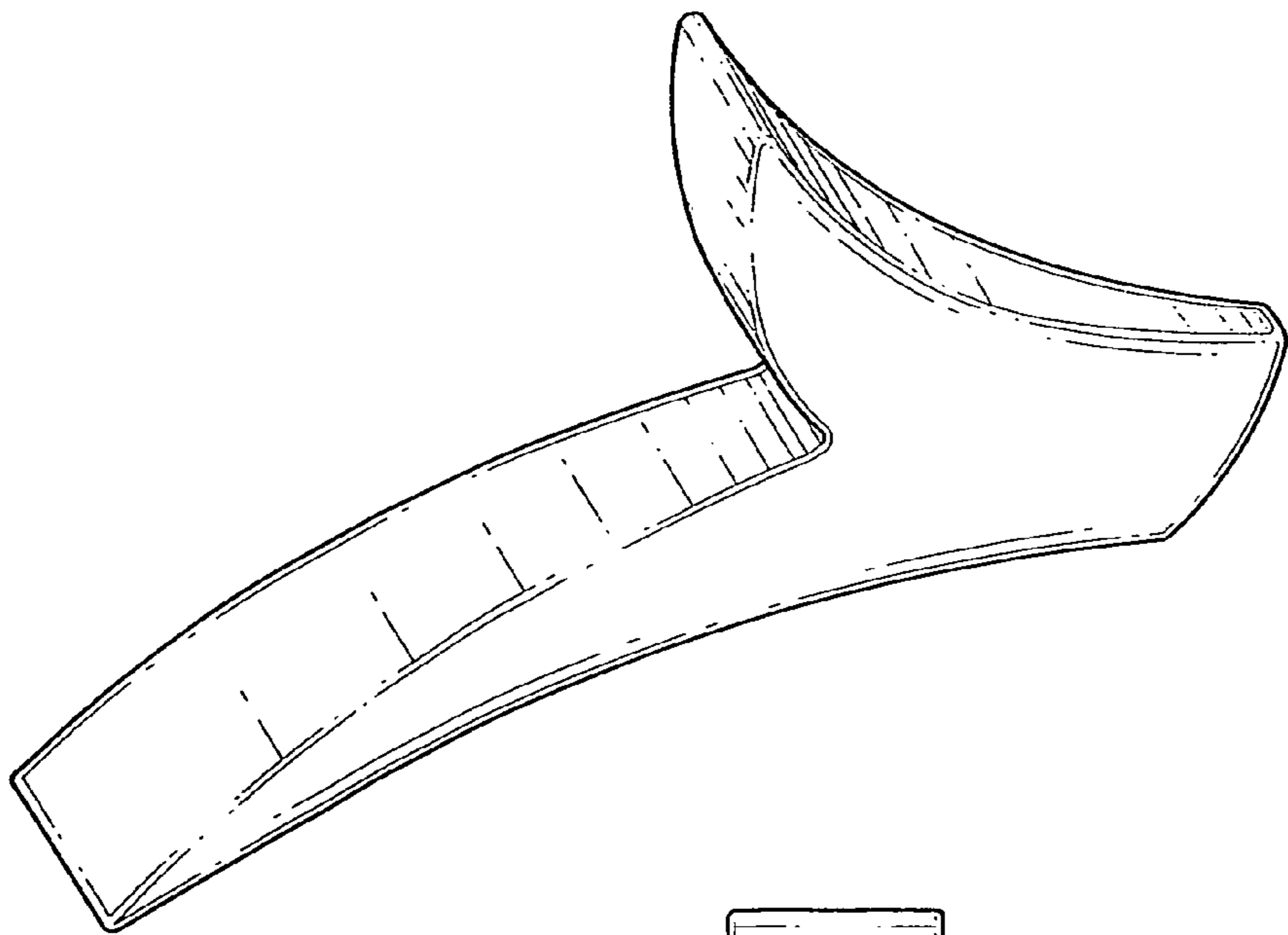


FIG. 5

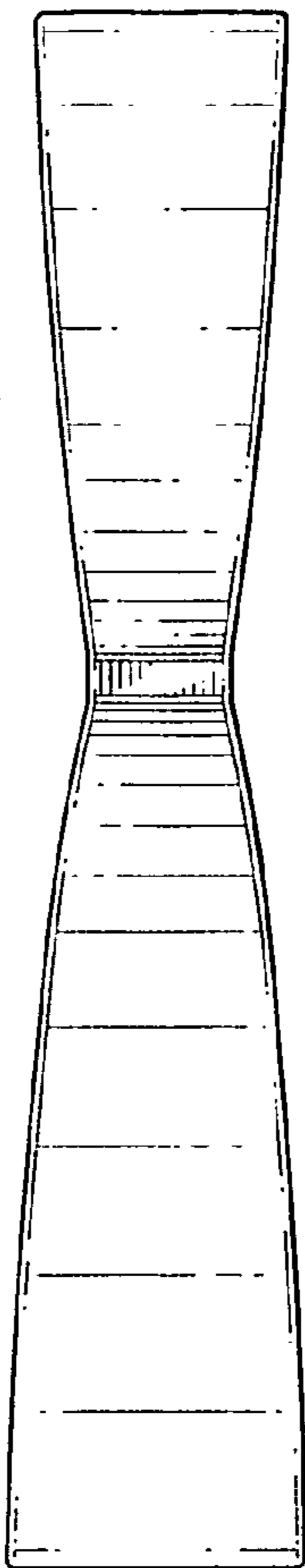


FIG. 4

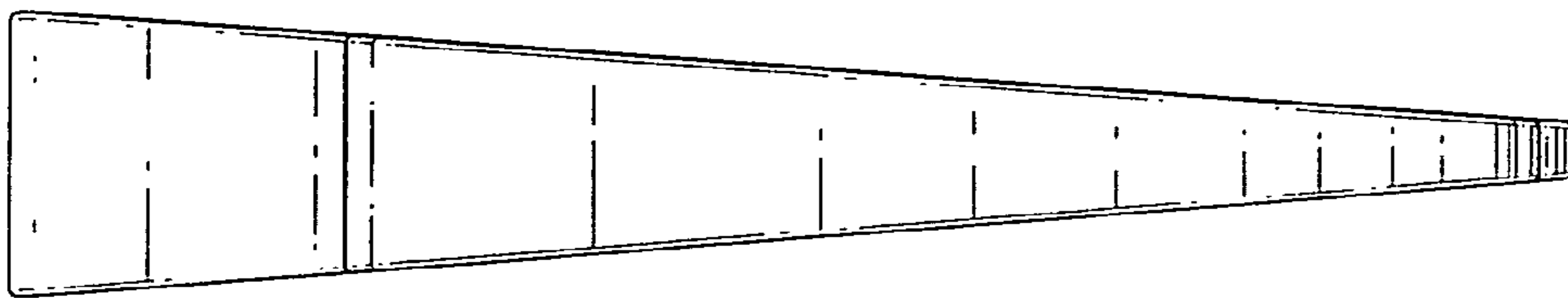


FIG. 6

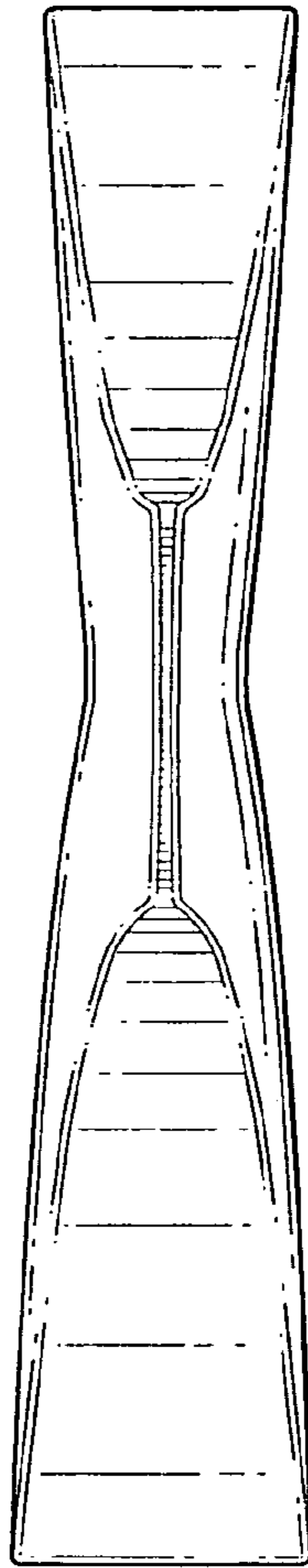


FIG. 7