

US00D695955S

(12) **United States Design Patent**  
**Klus**

(10) **Patent No.:** **US D695,955 S**

(45) **Date of Patent:** **\*\* Dec. 17, 2013**

(54) **HOUSING FOR LED-BASED LIGHTING APPARATUS**

(71) Applicant: **Sylwester Klus**, Kamionka (PL)

(72) Inventor: **Sylwester Klus**, Kamionka (PL)

(\*\*) Term: **14 Years**

(21) Appl. No.: **29/439,467**

(22) Filed: **Dec. 11, 2012**

(51) **LOC (9) Cl.** ..... **26-99**

(52) **U.S. Cl.**  
USPC ..... **D26/138**

(58) **Field of Classification Search**  
USPC ..... D26/25, 26, 28, 31, 35, 36, 37, 41, 42, D26/50, 51, 52, 64, 66, 67, 73, 75, 78, 85, D26/88, 89, 90, 103-106, 109, 110, 119, D26/123, 125, 129, 131, 135, 136, 138, 140, D26/143, 144; D13/179, 180; 362/92, 130, 362/132, 133, 183, 184, 190, 205, 216, 362/217.05, 218, 220, 223, 224, 241, 247, 362/249.03, 249.05-249.1, 249.11, 258, 362/260, 285, 287, 294.02, 297, 327, 345, 362/354, 373-379, 410, 418, 419, 510, 516, 362/558, 561; 248/339, 557, 558; D8/354, D8/373, 377, 382; D25/60, 119, 124, 125; 52/455; 349/59-62, 64-67, 113; 438/15; 345/102; D12/406; D10/111, D10/114.1; D11/121, 125, 144, 145; 428/11; 257/96, 97, 98, 99

See application file for complete search history.

(56) **References Cited**

U.S. PATENT DOCUMENTS

D616,566 S *	5/2010	Desrosiers et al. ....	D25/60
D616,567 S *	5/2010	Desrosiers et al. ....	D25/60
D616,568 S *	5/2010	Desrosiers et al. ....	D25/60
D621,091 S *	8/2010	Klu .....	D26/138
D621,542 S *	8/2010	Klus .....	D26/138
D623,342 S *	9/2010	Klu .....	D26/138
D649,687 S *	11/2011	Trzesniowski .....	D26/138
D652,568 S *	1/2012	Trzesniowski .....	D26/138
D663,068 S *	7/2012	Hochman .....	D26/138

\* cited by examiner

*Primary Examiner* — Zenia Bennett

(74) *Attorney, Agent, or Firm* — Mark Terry

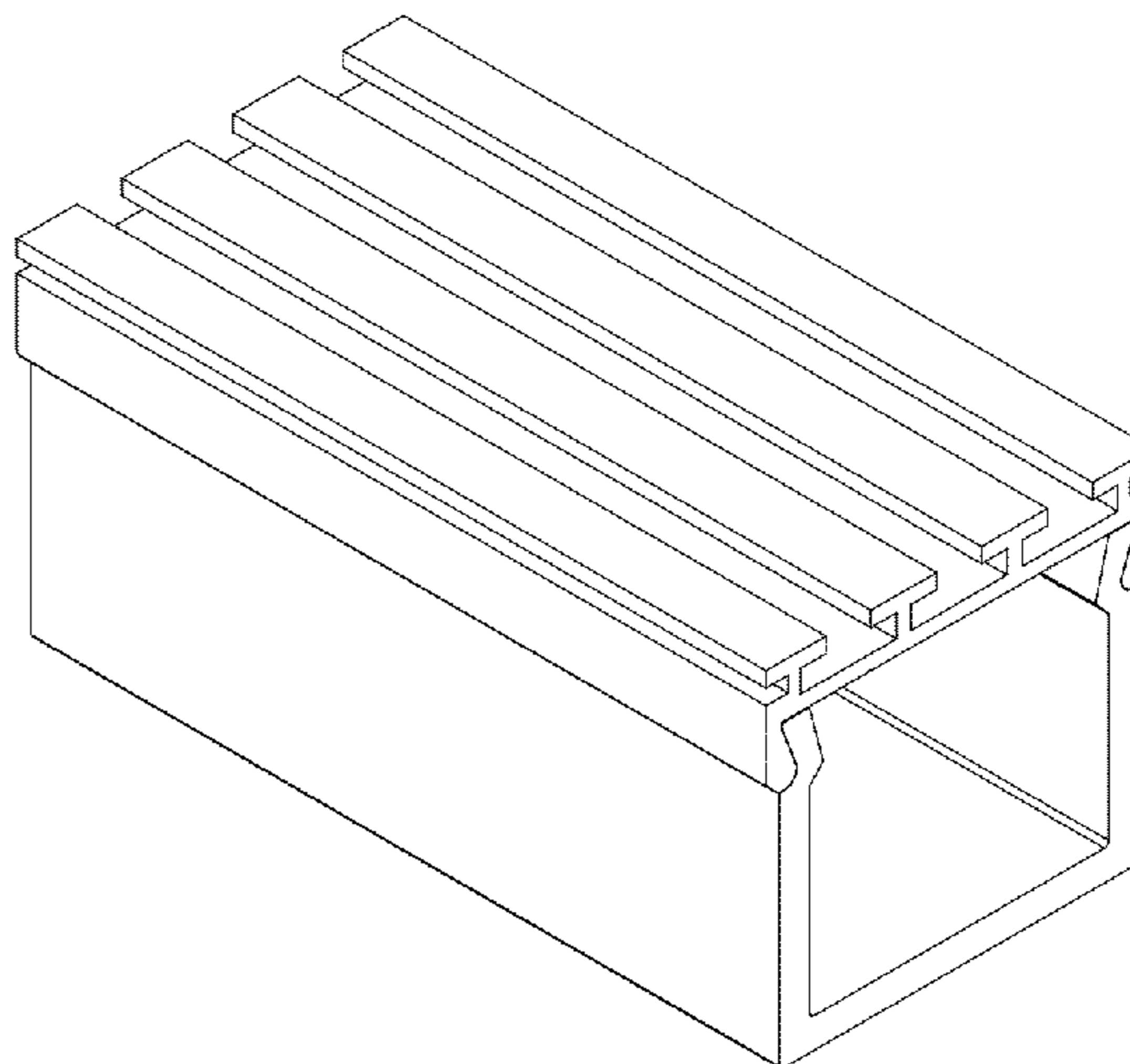
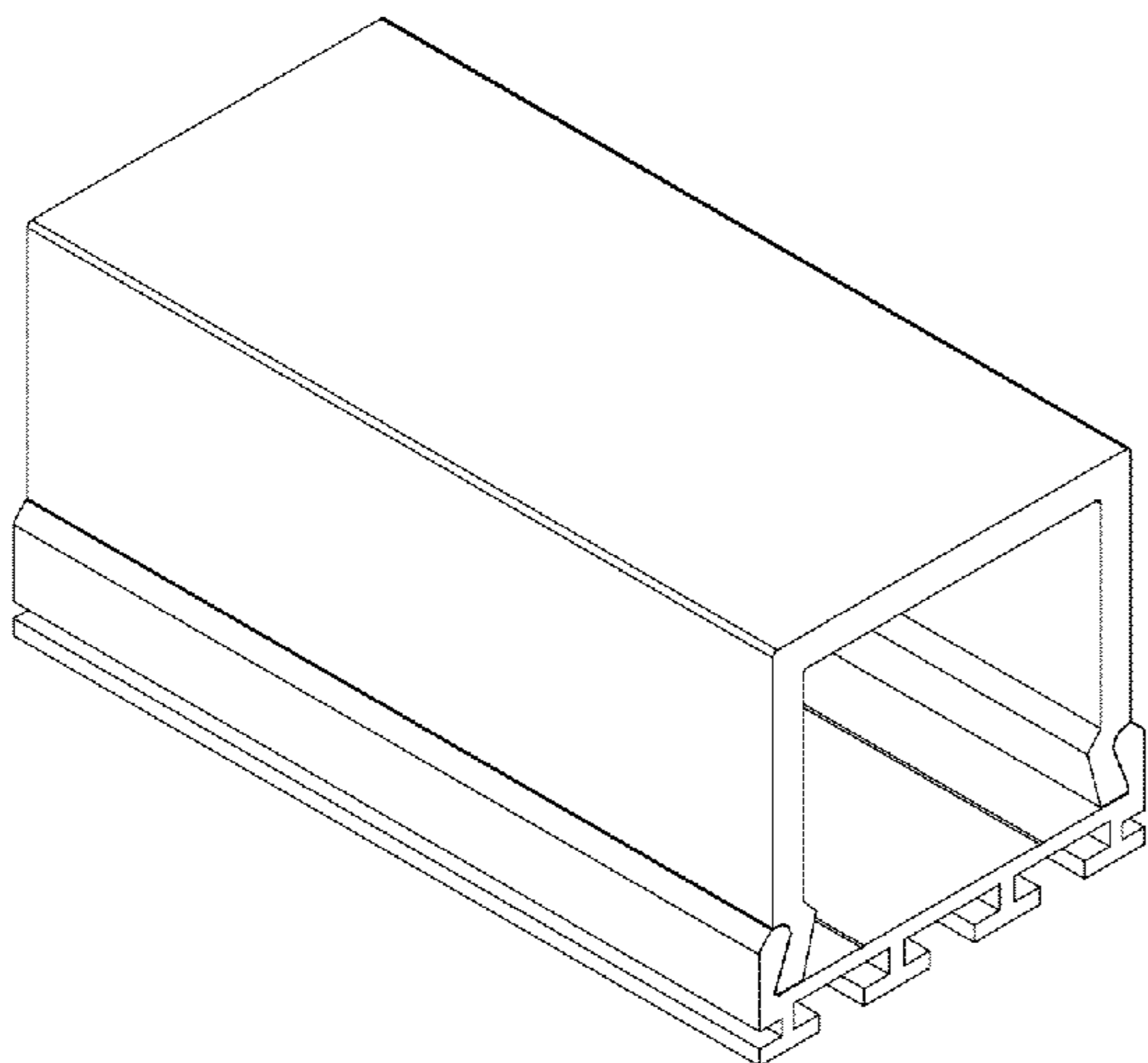
(57) **CLAIM**

The ornamental design for a housing for an LED-based lighting apparatus, as shown and described.

**DESCRIPTION**

FIG. 1 is a top perspective view of a housing for an LED-based lighting apparatus showing the new design; FIG. 2 is a bottom perspective view thereof; FIG. 3 is a front view thereof; FIG. 4 is a side view thereof; FIG. 5 is a top view thereof; and, FIG. 6 is a bottom view thereof.

**1 Claim, 3 Drawing Sheets**



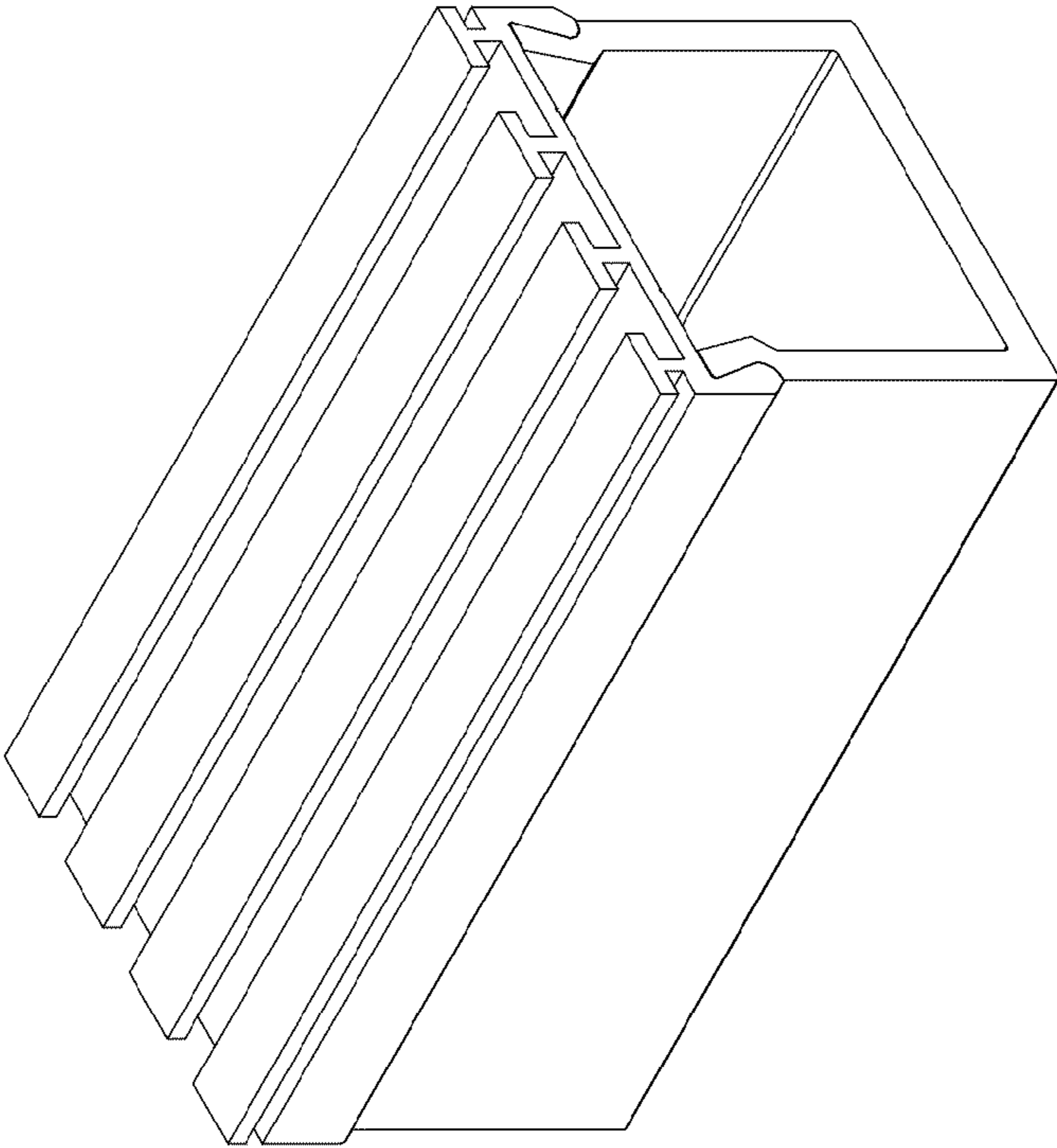


FIG. 2

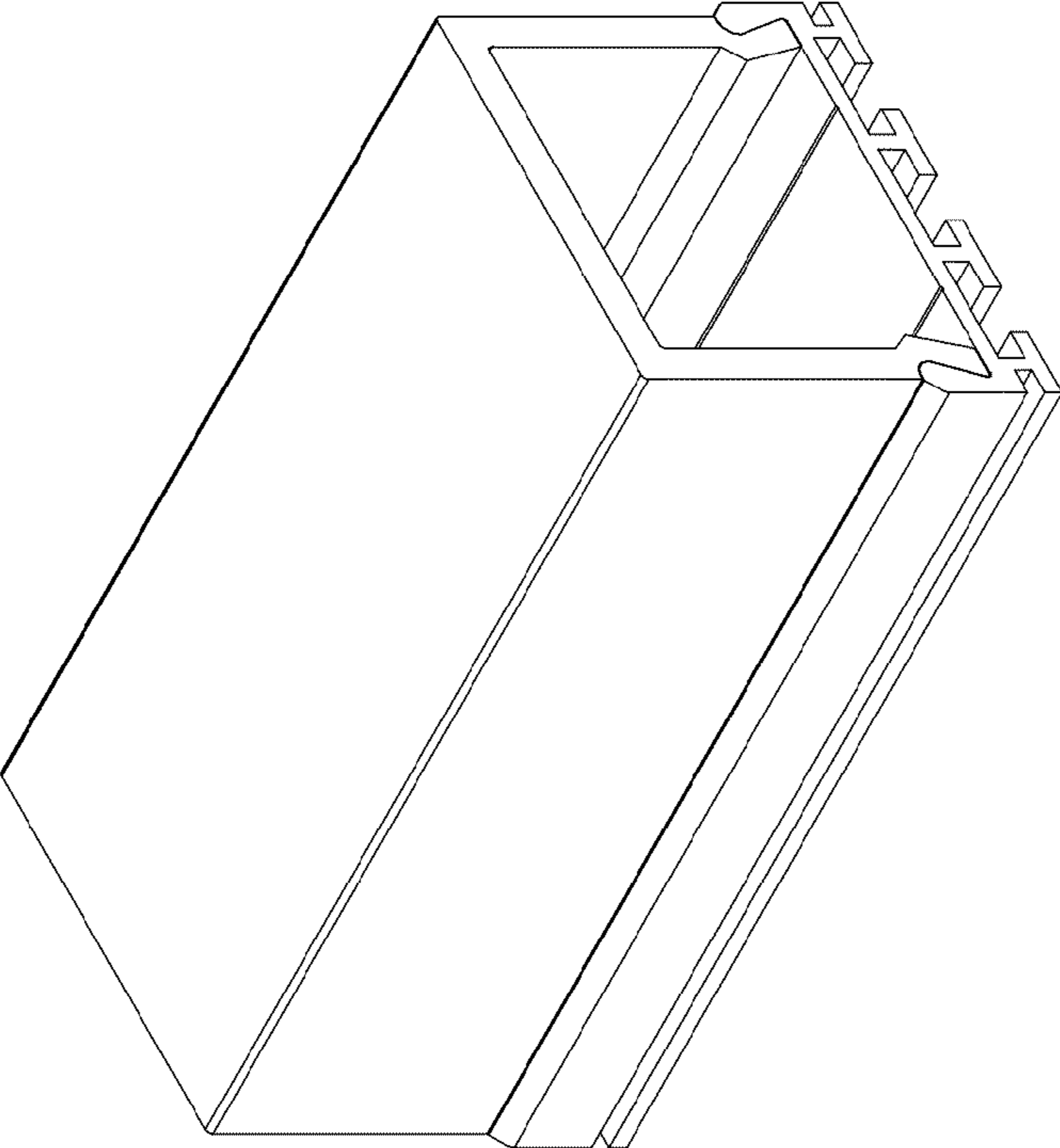


FIG. 1

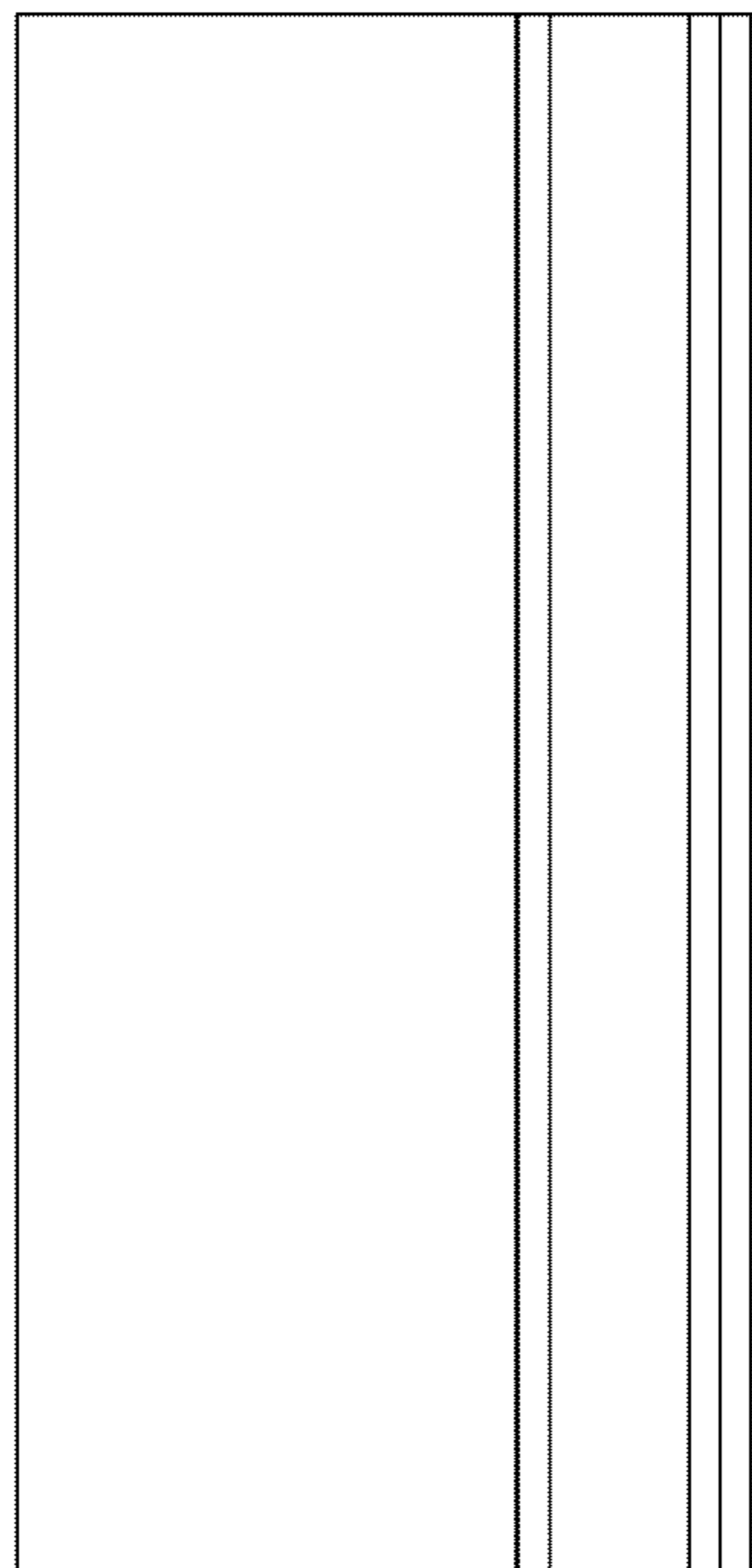


FIG. 4

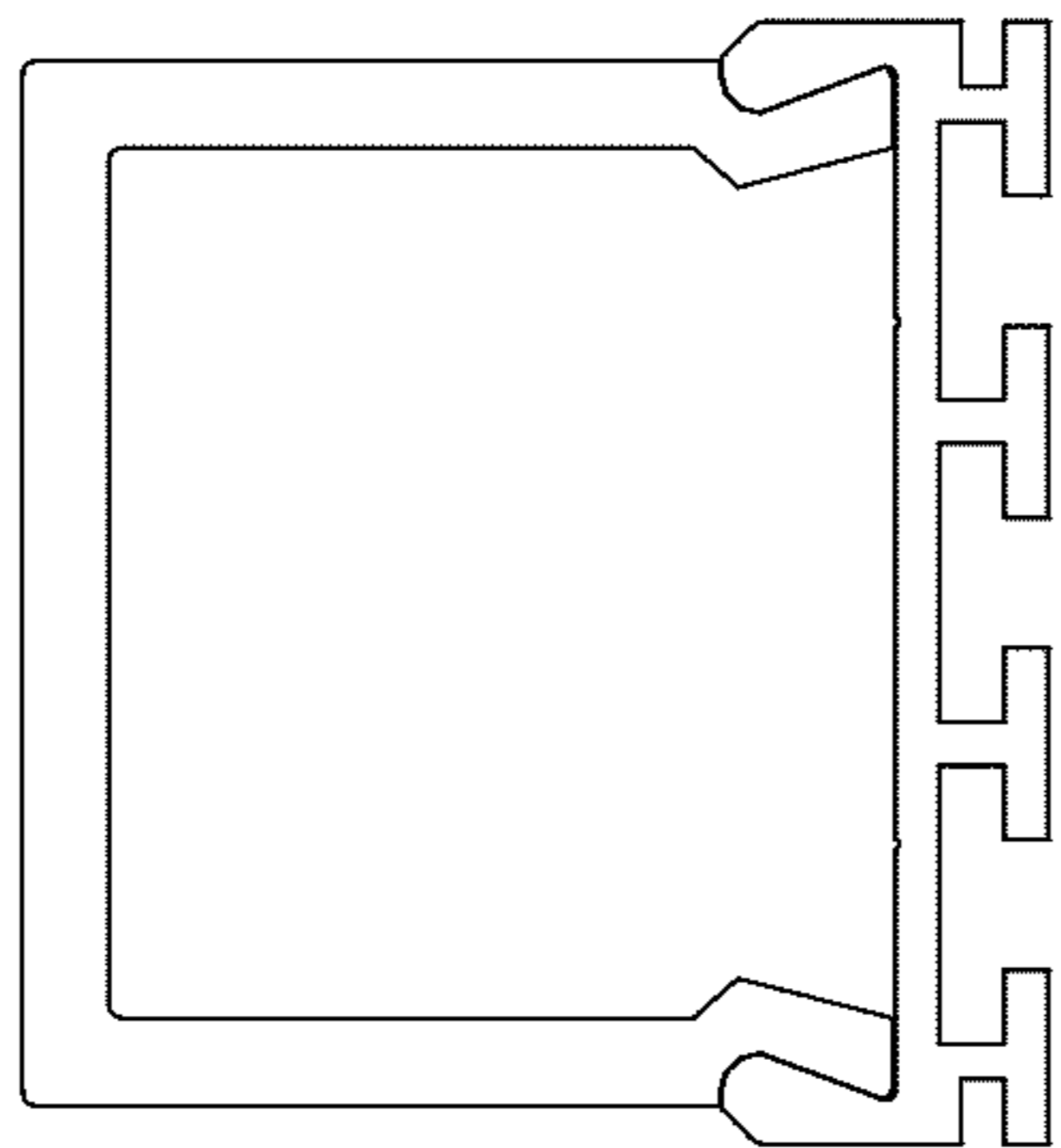


FIG. 3



FIG. 6

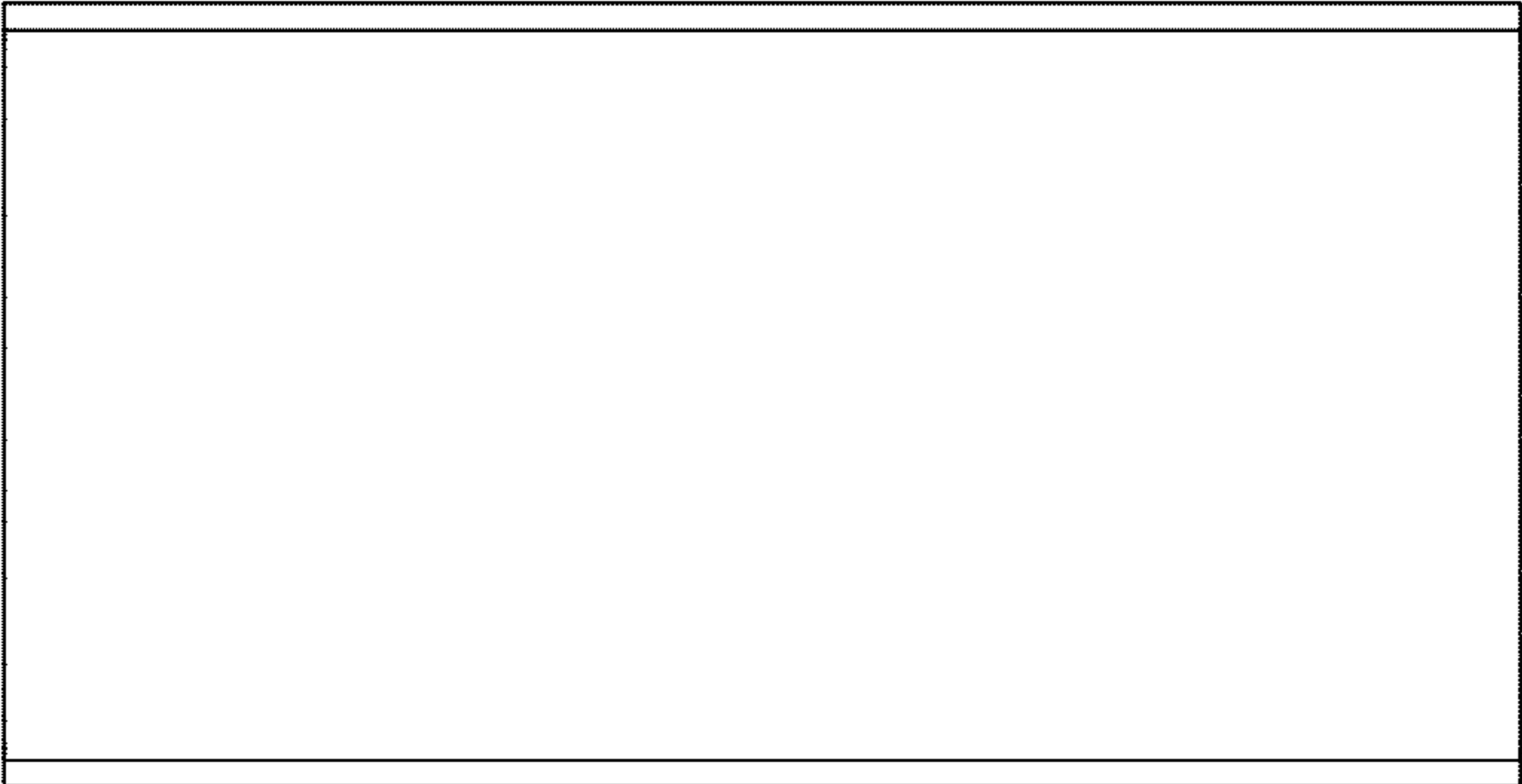


FIG. 5