



US00D695954S

(12) **United States Design Patent**
Guercio et al.

(10) **Patent No.:** **US D695,954 S**

(45) **Date of Patent:** **** Dec. 17, 2013**

(54) **BATTERY HOUSING FOR EMERGENCY LED LIGHT FIXTURE**

(75) Inventors: **Vincenzo Guercio**, Wallkill, NY (US);
James Lau, Nyack, NY (US)

(73) Assignee: **RAB Lighting Inc.**, Northvale, NJ (US)

(**) Term: **14 Years**

(21) Appl. No.: **29/412,070**

(22) Filed: **Jan. 30, 2012**

(51) **LOC (9) Cl.** **26-99**

(52) **U.S. Cl.**
USPC **D26/138**

(58) **Field of Classification Search**
USPC D26/25, 26, 28, 31, 35, 36, 37, 41, 42,
D26/50, 51, 52, 64, 66, 67, 73, 75, 78, 85,
D26/88, 89, 90, 103-106, 109, 110, 119,
D26/123, 125, 129, 131, 135, 136, 138, 140,
D26/143, 144; D13/179, 180; 362/92, 130,
362/132, 133, 183, 184, 190, 205, 216,
362/217.05, 218, 220, 223, 224, 241, 247,
362/249.03, 249.05-249.1, 249.11, 258,
362/260, 285, 287, 294.02, 297, 327, 345,
362/354, 373-379, 410, 418, 419, 510, 516,
362/558, 561; 248/339, 557, 558; D8/354,
D8/373, 377, 382; D25/60, 119, 124, 125;
52/455; 349/59-62, 64-67, 113;
438/15; 345/102; D12/406; D10/111,
D10/114.1; D11/121, 125, 144, 145;
428/11; 257/96, 97, 98, 99

See application file for complete search history.

(56) **References Cited**

U.S. PATENT DOCUMENTS

D277,558 S *	2/1985	Mallory	D10/106.2
D338,845 S *	8/1993	Rohrs	D10/106.8
D342,334 S *	12/1993	Vakil	D26/51
D359,008 S *	6/1995	Sandell et al.	D10/106.8
D366,222 S *	1/1996	Sandell et al.	D10/106.8
D377,619 S *	1/1997	Sandell	D10/106.8
D510,535 S *	10/2005	Sandell	D10/106.7
D621,984 S *	8/2010	Mier-Langner et al.	D26/63
D673,720 S *	1/2013	Bailey et al.	D26/138

* cited by examiner

Primary Examiner — Zenia Bennett

(74) *Attorney, Agent, or Firm* — SmithAmundsen LLC;
Dennis S. Schell

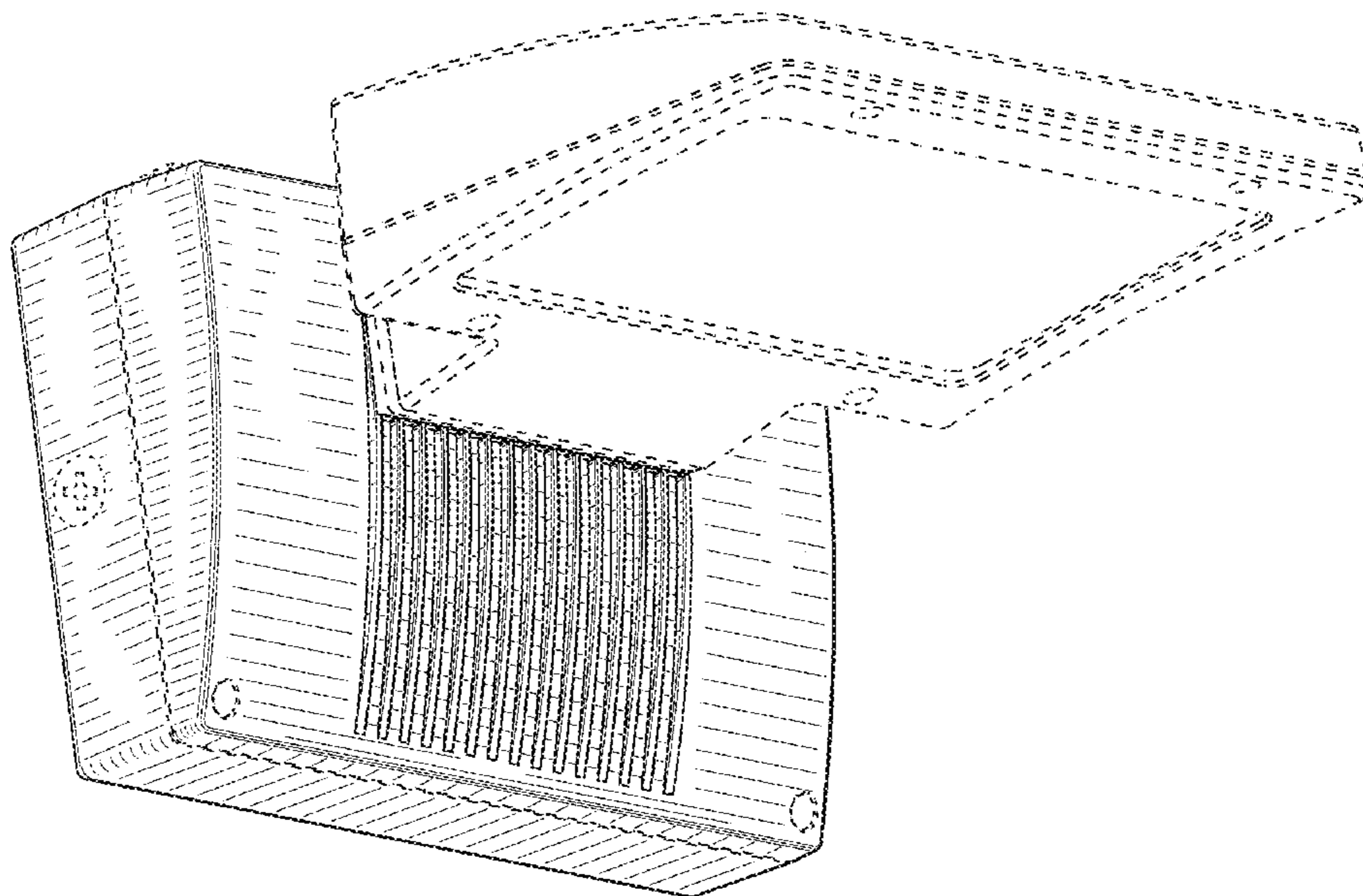
(57) **CLAIM**

The ornamental design for a battery housing for emergency LED light fixture, as shown and described.

DESCRIPTION

FIG. 1 is a front left perspective view of an embodiment of the new design;
FIG. 2 is a right side view of the embodiment;
FIG. 3 is a front side view of the embodiment;
FIG. 4 is a left side view of the embodiment
FIG. 5 is a top view of the embodiment;
FIG. 6 is a bottom view of the embodiment;
FIG. 7 is a rear side view of the embodiment; and,
FIG. 8 is a rear perspective view of the embodiment.
The broken lines shown in the drawings are for the purposes of illustrating portions of the article that form no part of the claimed design.

1 Claim, 8 Drawing Sheets



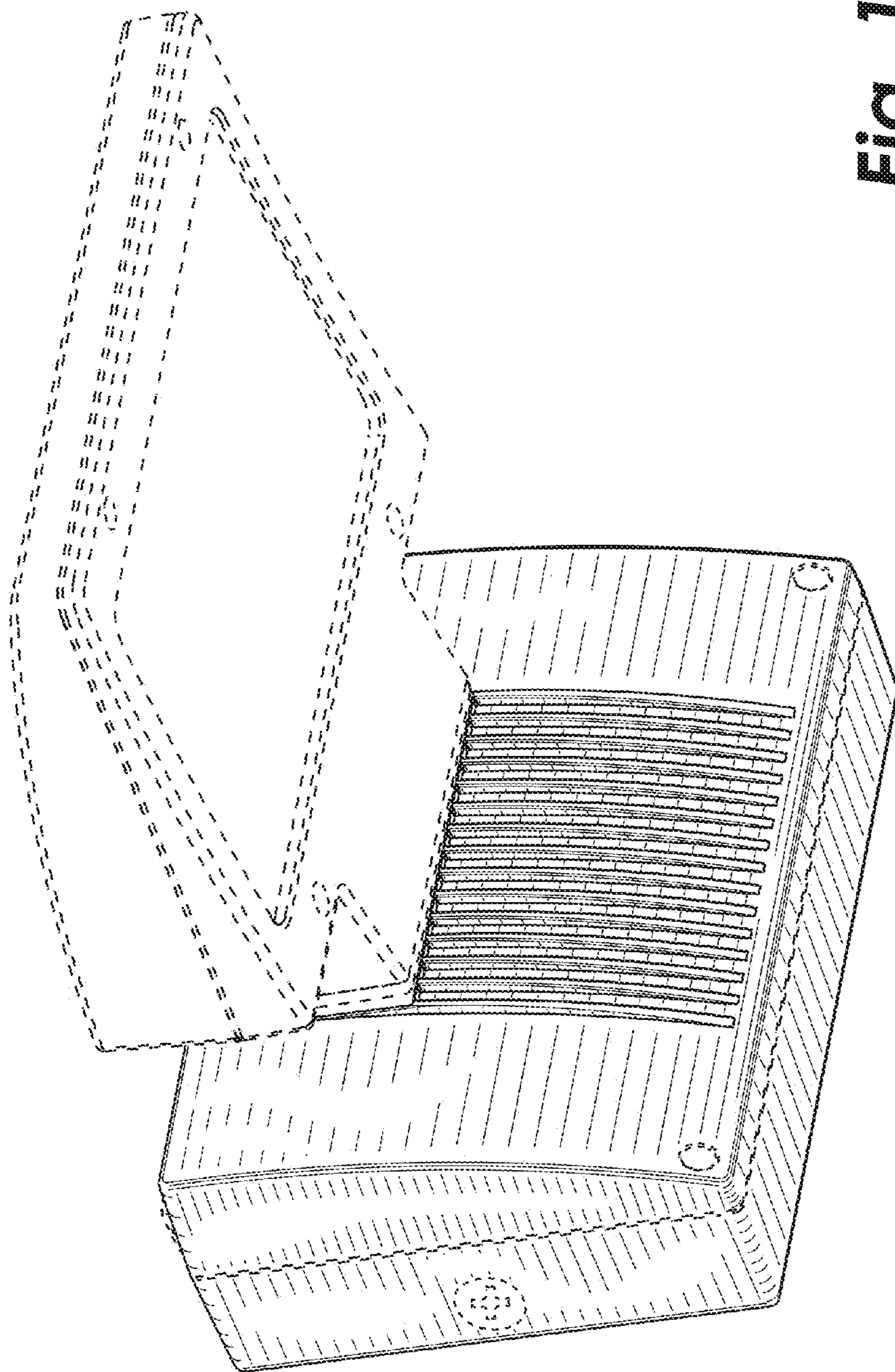


Fig. 1

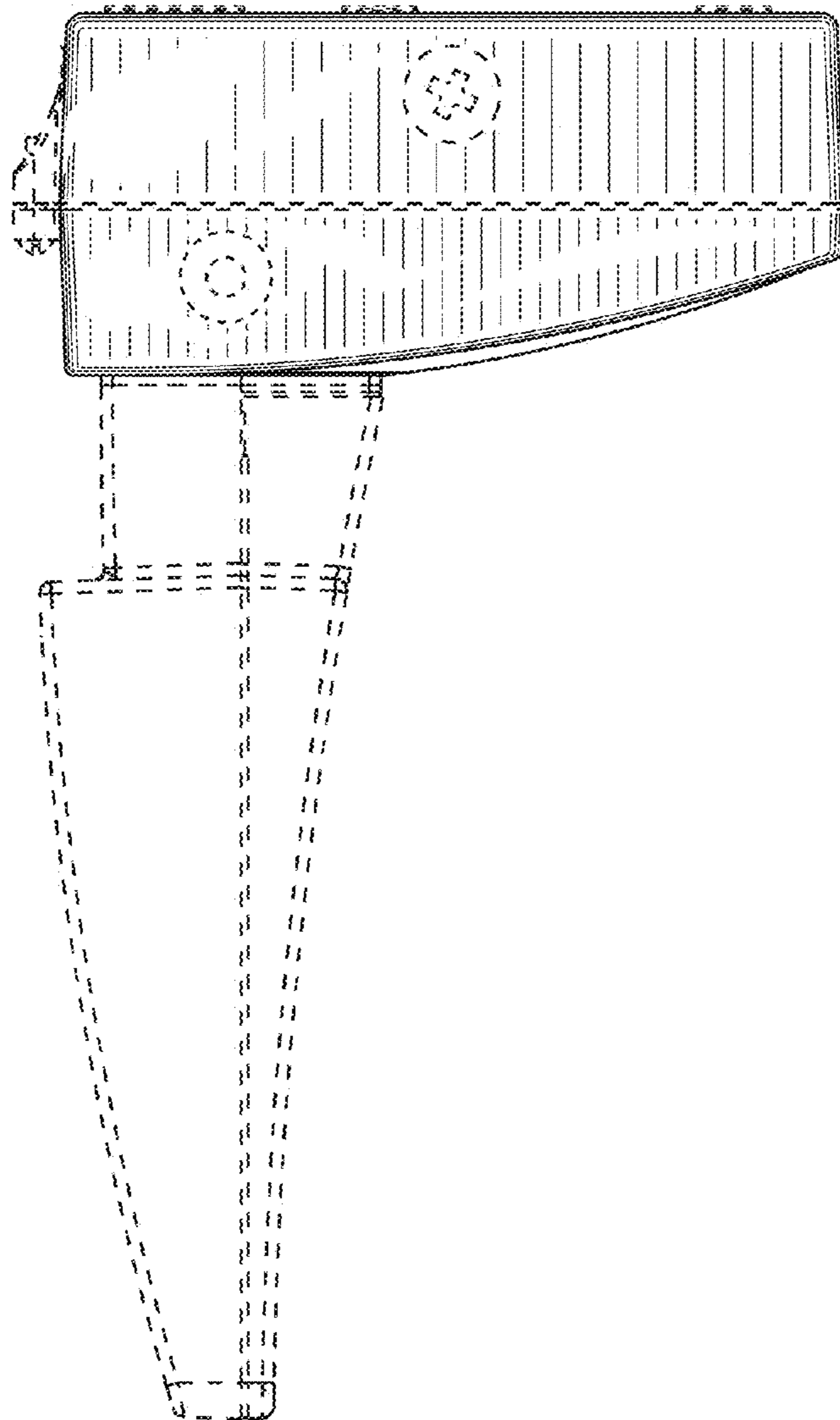


Fig. 2

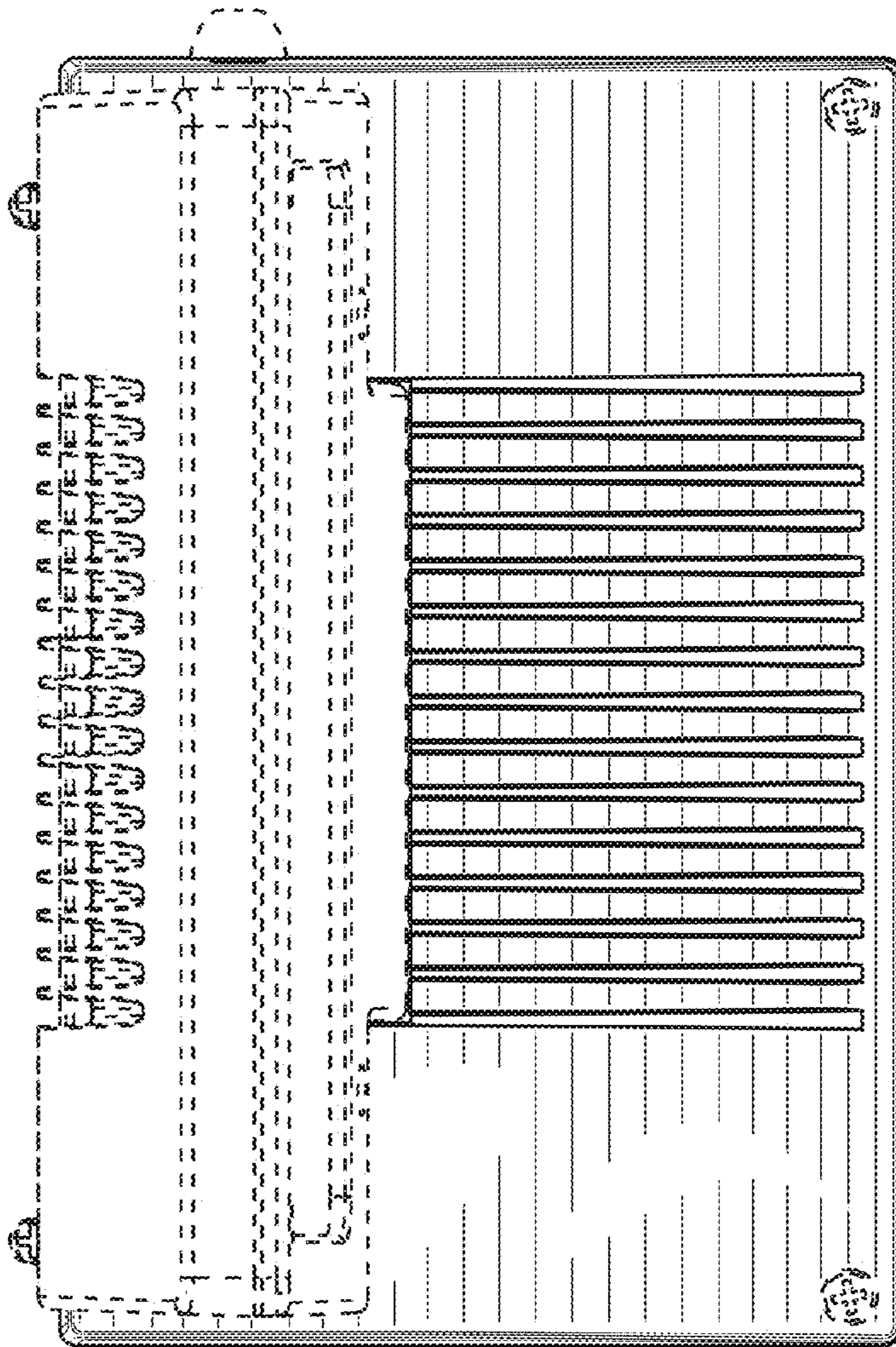


Fig. 3

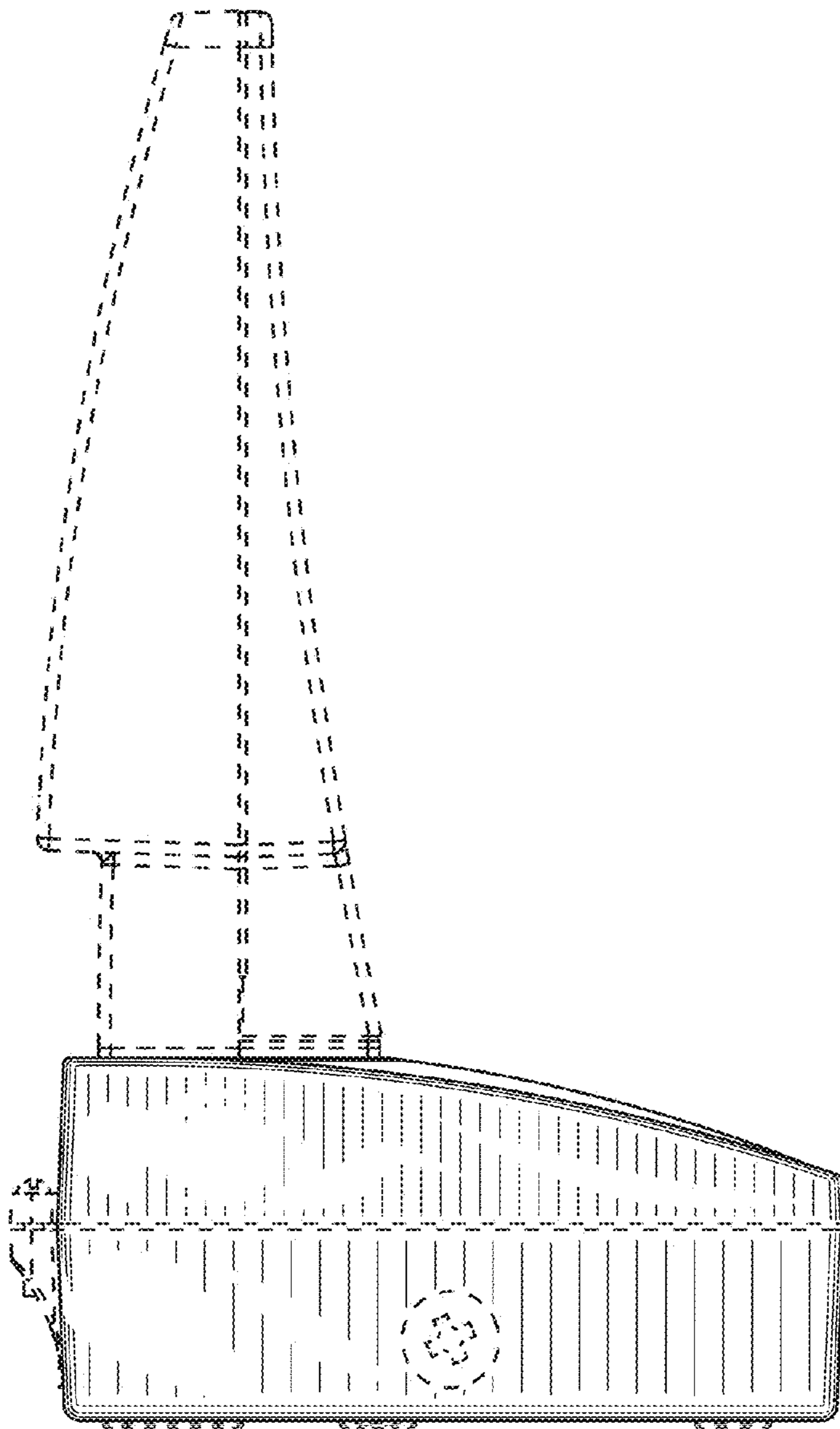


Fig. 4

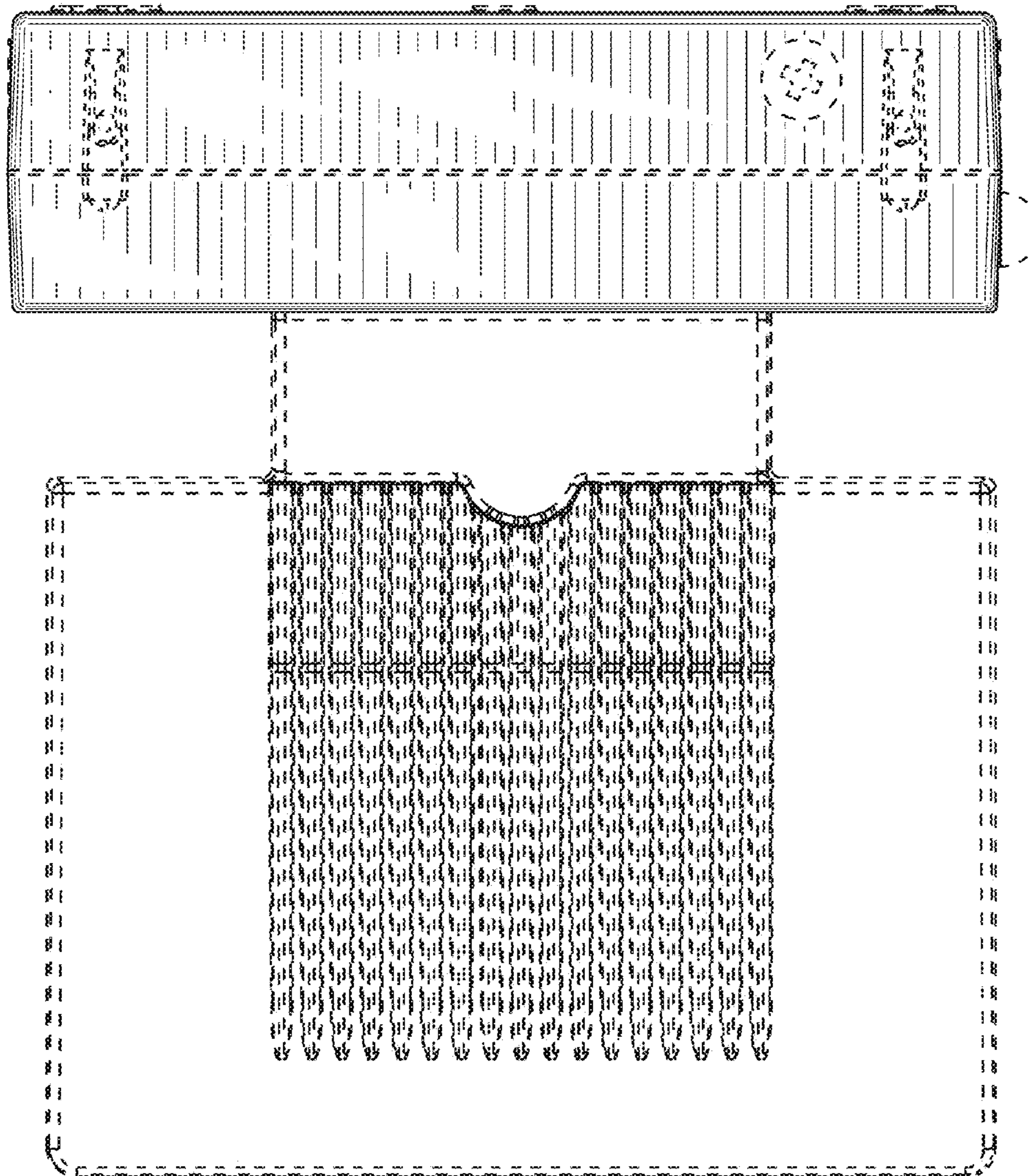


Fig. 5

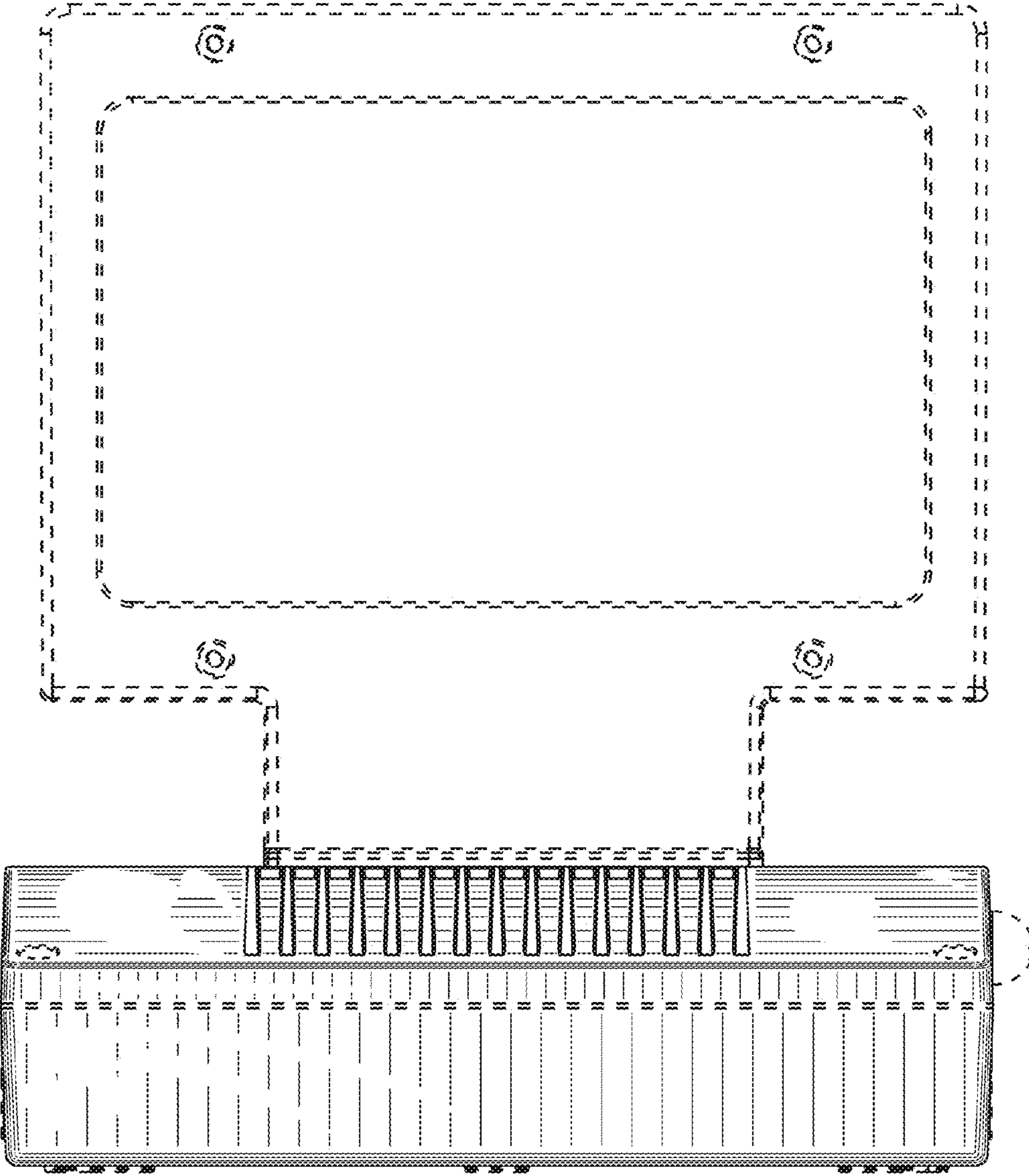


Fig. 6

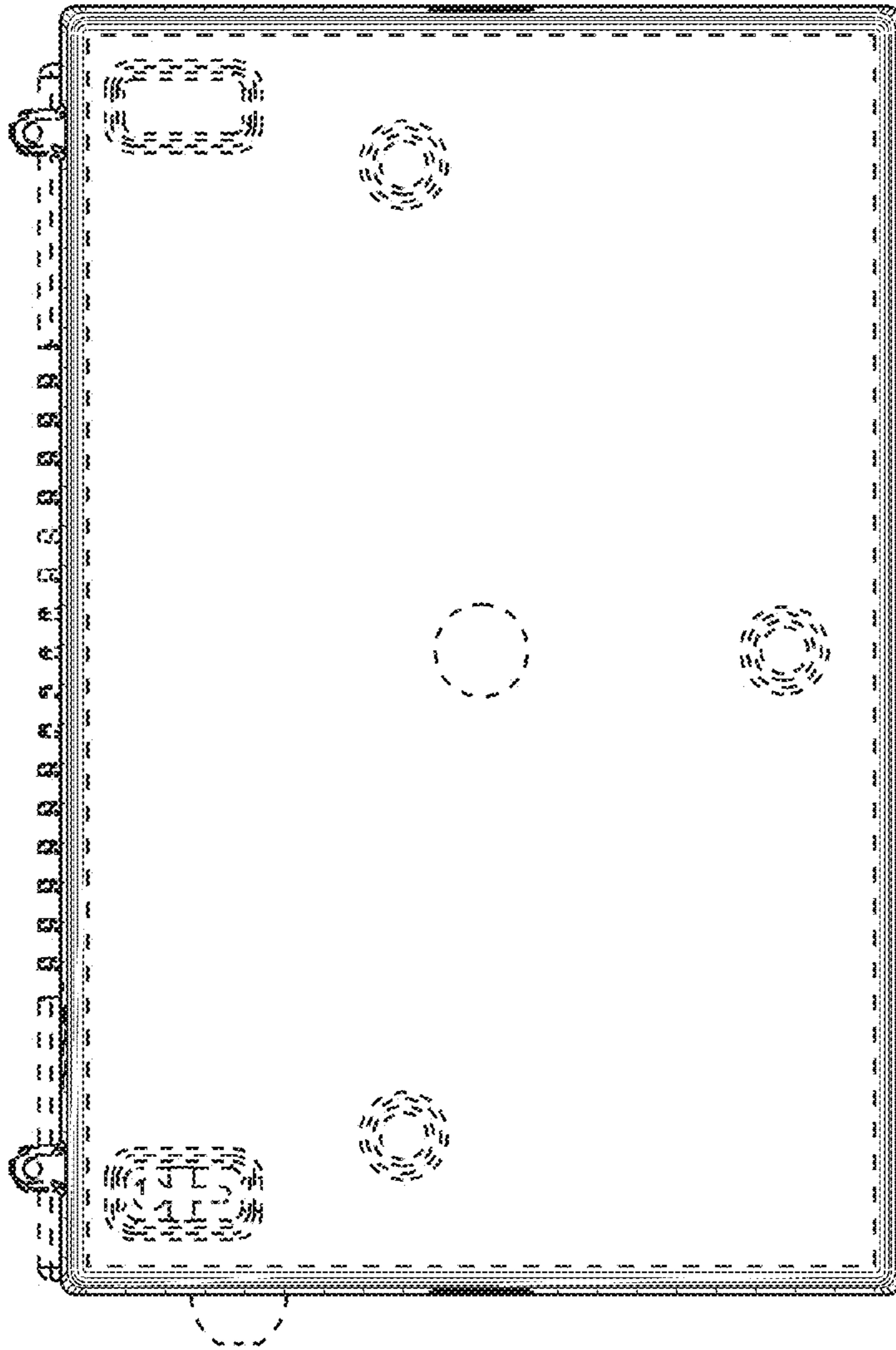


Fig. 7

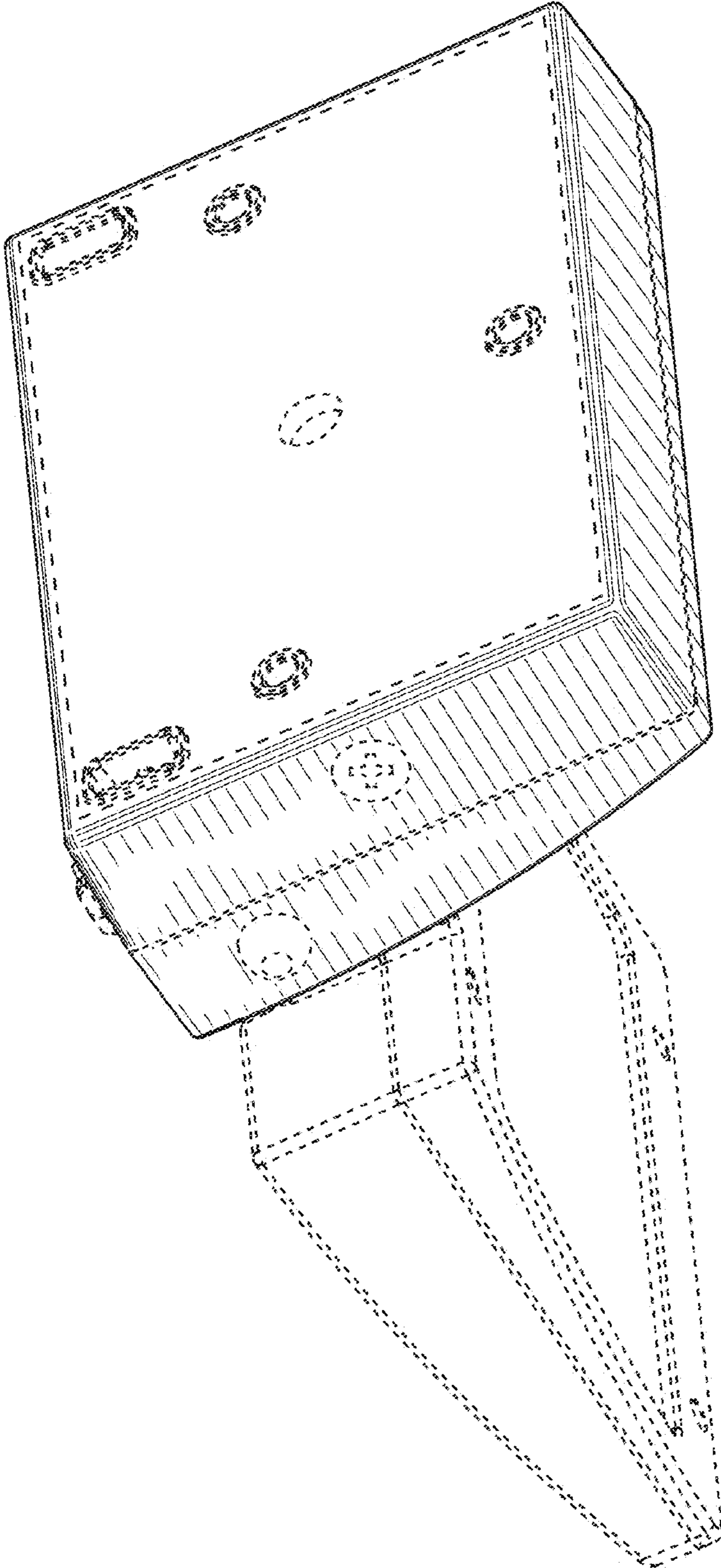


Fig. 8