

US00D695951S

(12) **United States Design Patent**
Miyatake et al.

(10) **Patent No.:** **US D695,951 S**

(45) **Date of Patent:** **** Dec. 17, 2013**

(54) **LIGHTING DEVICE**

(71) Applicants: **Tetsuya Miyatake**, Osaka (JP); **Koichi Hazumi**, Osaka (JP)

(72) Inventors: **Tetsuya Miyatake**, Osaka (JP); **Koichi Hazumi**, Osaka (JP)

(73) Assignee: **Patlite Corporation**, Osaka (JP)

(**) Term: **14 Years**

(21) Appl. No.: **29/449,223**

(22) Filed: **Mar. 14, 2013**

Related U.S. Application Data

(62) Division of application No. 29/419,579, filed on Apr. 30, 2012, now Pat. No. Des. 681,261.

(30) **Foreign Application Priority Data**

Nov. 2, 2011 (JP) 2011-25381D

(51) **LOC (9) Cl.** **26-99**

(52) **U.S. Cl.**
USPC **D26/120**

(58) **Field of Classification Search**

USPC D26/25, 24, 26, 28, 113, 118, 119, 120,
D26/64, 65, 72, 74, 75, 73, 68, 69, 70, 71,
D26/152, 153, 154, 122, 123, 145, 155, 121,
D26/138, 139, 86, 85, 87, 89, 66, 67, 76, 77,
D26/78, 84, 88, 95, 96, 124, 125, 126, 227,
D26/128, 129, 146, 144, 130, 151, 142, 143,
D26/140, 141, 45, 38, 39, 1, 2, 3, 127;
362/362, 326, 373, 623, 600, 371, 297,
362/294, 249.01, 249.03–249.05, 218;
D10/111, 113.1, 114.1; 257/88;
D13/179, 180

See application file for complete search history.

(56) **References Cited**

U.S. PATENT DOCUMENTS

D128,054	S	*	7/1941	Mitchell	D26/60
3,118,620	A	*	1/1964	Bucek	362/355
D215,340	S	*	9/1969	Wince	D26/76
D247,756	S	*	4/1978	Nagelkerke	D24/210
D343,016	S		1/1994	Matsukawa		
D393,734	S	*	4/1998	Casteel	D26/76
D401,001	S	*	11/1998	Herst et al.	D26/77
D427,706	S	*	7/2000	Irvine	D26/76
D441,117	S	*	4/2001	Grimm	D26/76
D441,890	S	*	5/2001	Grimm	D26/76
D471,308	S	*	3/2003	Gismondi	D26/76
6,530,674	B2	*	3/2003	Grierson et al.	362/219
D495,822	S		9/2004	Yoneda		
D506,274	S		6/2005	Moriyama et al.		
7,021,792	B2		4/2006	Lin		
D532,919	S		11/2006	Handsaker et al.		

(Continued)

Primary Examiner — Kevin Rudzinski

(74) *Attorney, Agent, or Firm* — DLA Piper LLP (US)

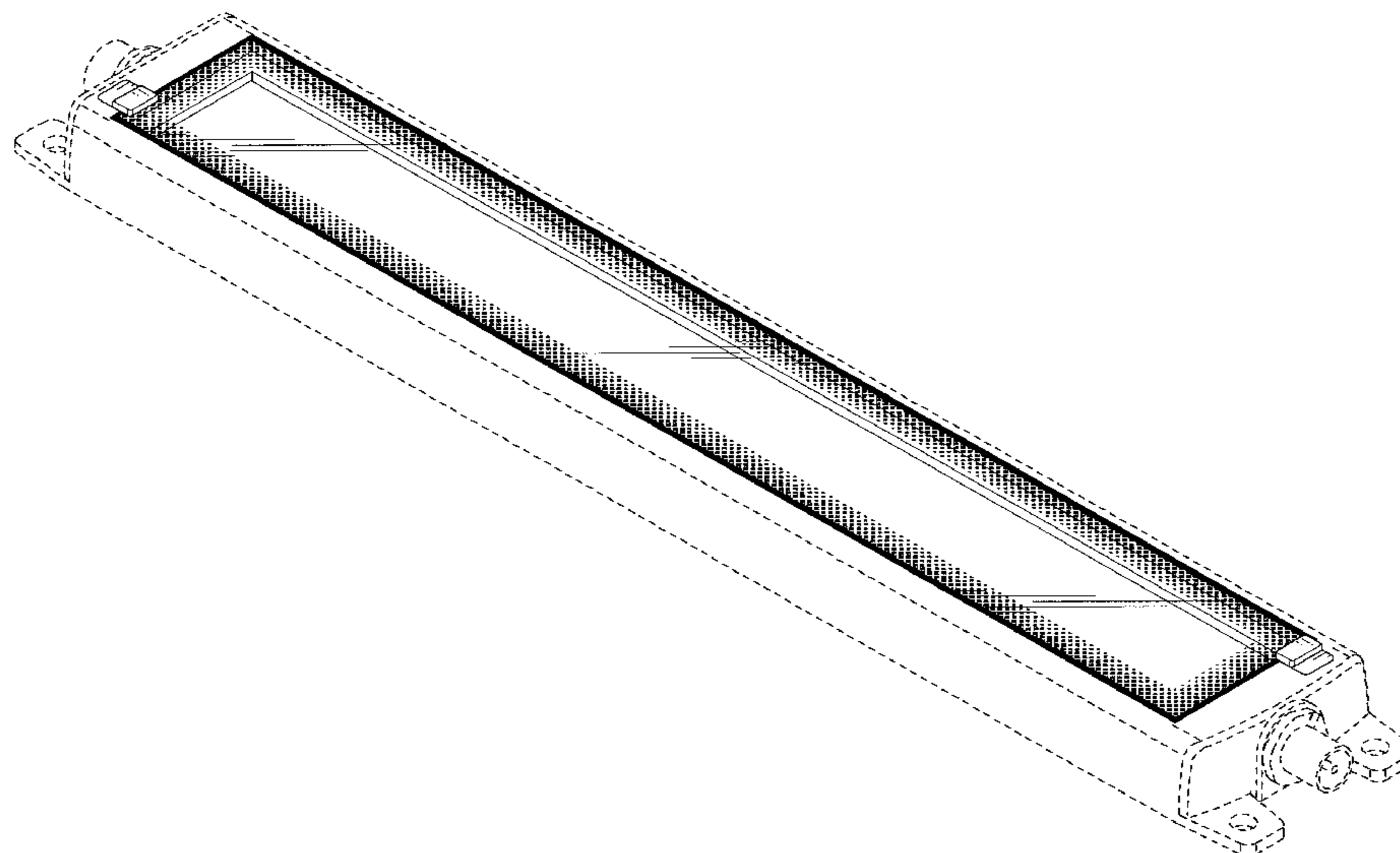
(57) **CLAIM**

The ornamental design for a lighting device, as shown and described.

DESCRIPTION

FIG. 1 is a perspective view of a lighting device taken from the front, right side and bottom thereof, showing our new design; FIG. 2 is a front elevational view thereof; FIG. 3 is a rear elevational view thereof; FIG. 4 is a left side elevational view thereof; FIG. 5 is a right side elevational view thereof; FIG. 6 is a top plan view thereof; and, FIG. 7 is a bottom plan view thereof. The broken lines illustrating portions of the lighting device are included to show environmental structure and form no part of the claimed design.

1 Claim, 3 Drawing Sheets



(56)

References Cited

U.S. PATENT DOCUMENTS

D539,944 S	4/2007	Egawa et al.	
D539,945 S	4/2007	Egawa et al.	
7,267,459 B2	9/2007	Matheson	
D565,515 S	4/2008	Chen	
D570,026 S *	5/2008	Waldmann	D26/76
7,434,959 B1	10/2008	Wang	
D604,884 S *	11/2009	Moritz	D26/76
D607,594 S *	1/2010	Waldmann	D26/76
D611,643 S *	3/2010	Owen	D26/76
D612,973 S	3/2010	Munstermann	
D612,977 S	3/2010	Chen	
D614,323 S	4/2010	Stewart et al.	
D617,935 S *	6/2010	Miletich et al.	D26/76
D625,032 S	10/2010	Mollaert et al.	
D628,540 S	12/2010	Tsou	
D629,554 S *	12/2010	Gielen	D26/76
D629,961 S	12/2010	Little et al.	
D629,963 S	12/2010	Little, Jr. et al.	
D631,594 S *	1/2011	Irvine	D26/74
D636,504 S	4/2011	Duster	
7,931,387 B2	4/2011	Song	
D649,278 S *	11/2011	Sabernig	D26/90
D659,880 S	5/2012	Maxik et al.	
D662,245 S	6/2012	Steffy	
D670,019 S *	10/2012	Sabernig	D26/85
D670,851 S *	11/2012	Tsai	D26/76
D671,254 S *	11/2012	Miyatake et al.	D26/75
D679,440 S *	4/2013	Smith	D26/80
D681,261 S *	4/2013	Miyatake et al.	D26/120
D681,873 S *	5/2013	Hoch et al.	D26/141
2008/0002413 A1	1/2008	Wang et al.	

* cited by examiner

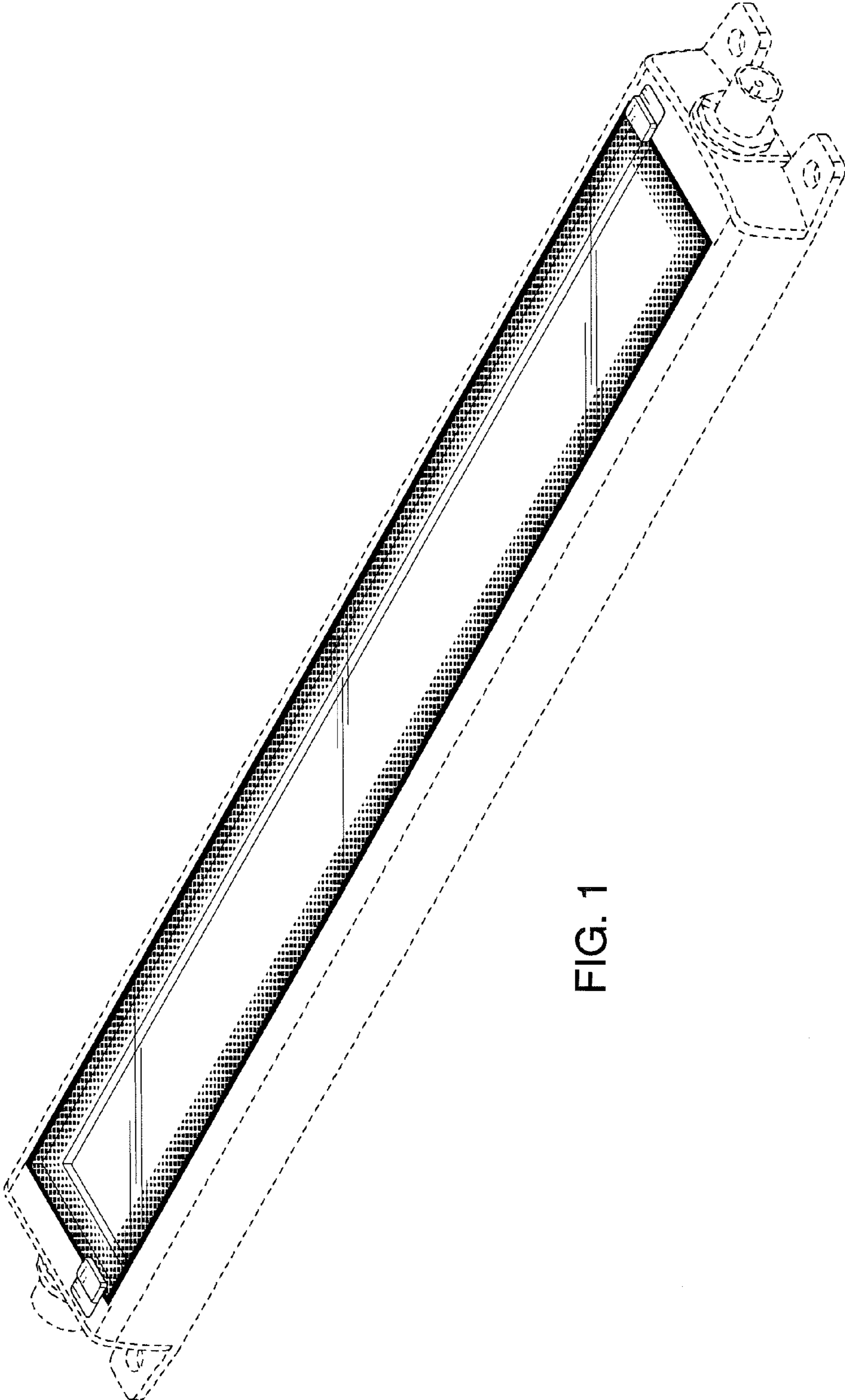


FIG. 1

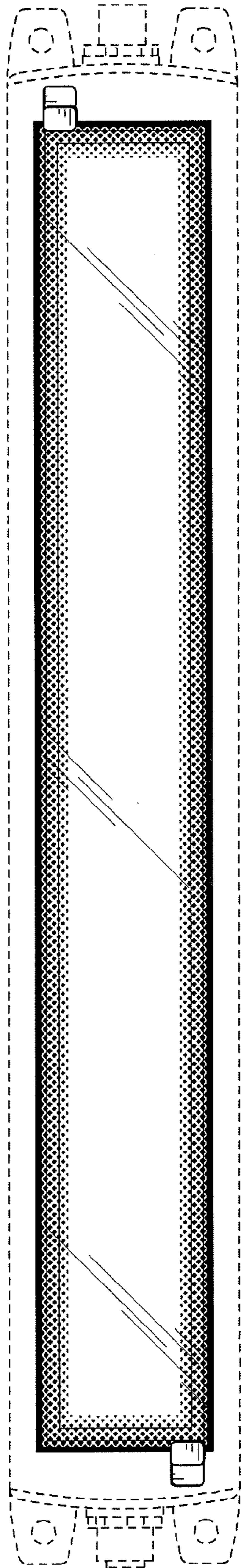


FIG. 2

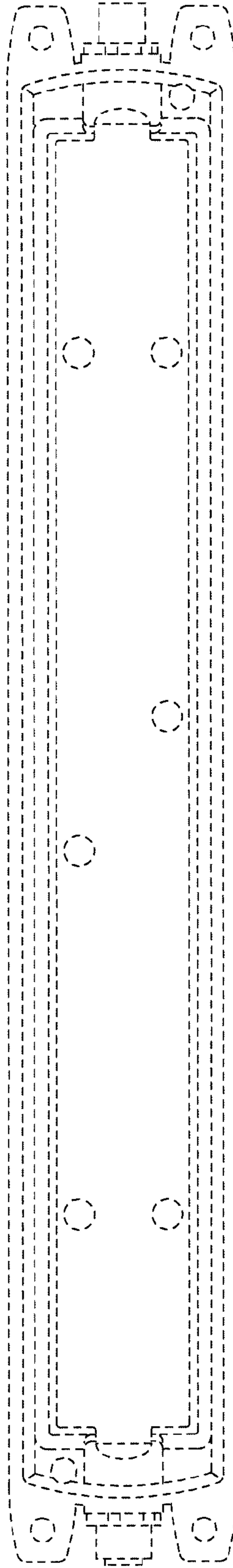


FIG. 3

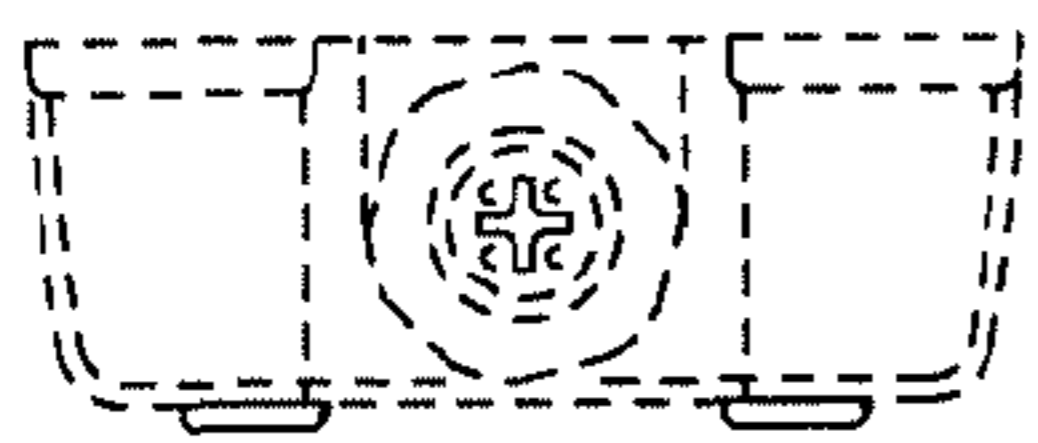


FIG. 4

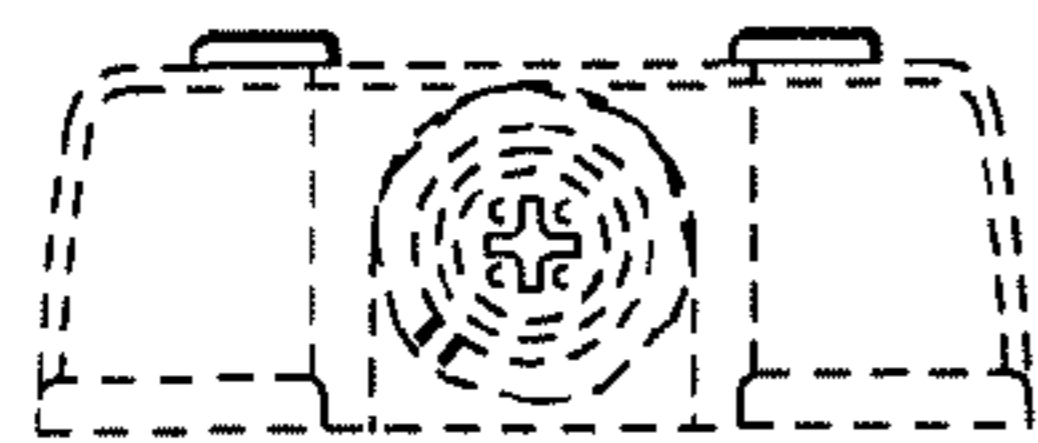


FIG. 5

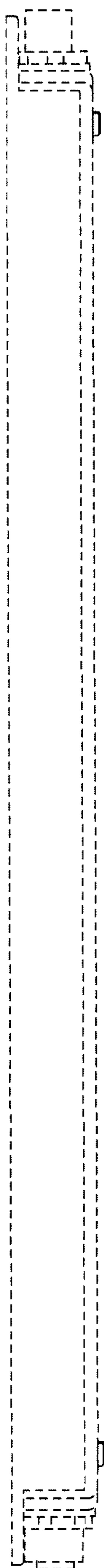


FIG. 6

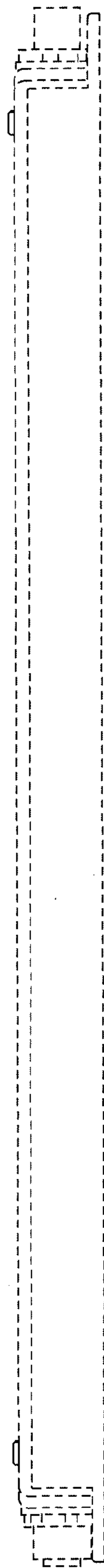


FIG. 7