



US00D695950S

(12) **United States Design Patent**
Gordin et al.

(10) **Patent No.:** **US D695,950 S**

(45) **Date of Patent:** **** Dec. 17, 2013**

(54) **ADJUSTABLE LIGHTING FIXTURE**

(56) **References Cited**

(71) Applicant: **Musco Corporation**, Oskaloosa, IA
(US)

(72) Inventors: **Myron Gordin**, Oskaloosa, IA (US);
Timothy J. Boyle, Oskaloosa, IA (US);
Steven T. Heaton, Oskaloosa, IA (US);
Philip D. Hol, New Sharon, IA (US)

(73) Assignee: **Musco Corporation**, Oskaloosa, IA
(US)

(**) Term: **14 Years**

(21) Appl. No.: **29/455,373**

(22) Filed: **May 20, 2013**

(51) **LOC (9) Cl.** **26-99**

(52) **U.S. Cl.**
USPC **D26/118**

(58) **Field of Classification Search**
USPC D26/152, 113, 118, 119, 154, 61, 62,
D26/65, 75, 16, 1, 2, 3, 120, 138, 128, 155,
D26/76, 121, 124, 125, 123, 141, 142, 66,
D26/68, 86, 71, 72, 77, 78, 151, 145, 74, 85,
D26/89, 82, 84, 92, 87, 136, 63, 59, 58, 28,
D26/88, 11, 9, 22, 81, 127, 129, 130, 131,
D26/133, 134, 135, 55; D13/179, 180;
362/219, 223, 225, 347, 346, 373, 326,
362/283, 249.02, 362, 374, 375, 408, 327,
362/328, 404, 297, 147, 149, 249.03,
362/249.11; D23/377, 411, 413; D11/89,
D11/90

See application file for complete search history.

U.S. PATENT DOCUMENTS

D201,884 S *	8/1965	Blake et al.	D13/125
D267,005 S *	11/1982	Dennis	D13/179
D338,449 S *	8/1993	Sahyoun	D13/179
D387,333 S *	12/1997	Pellow et al.	D13/179
D426,195 S *	6/2000	Kuo	D13/179
D429,703 S *	8/2000	Gauffin	D13/179
D438,135 S *	2/2001	DiDomizio et al.	D10/111
D530,668 S *	10/2006	Carson et al.	D13/110
D621,968 S *	8/2010	Schultz	D26/1
D633,230 S *	2/2011	Chen	D26/24
D641,908 S *	7/2011	McKee	D26/71
D644,370 S *	8/2011	Lickiss	D26/85
D661,008 S *	5/2012	Yuan	D26/74
D672,902 S *	12/2012	Collins et al.	D26/89
2009/0262533 A1 *	10/2009	Liu et al.	362/249.02

* cited by examiner

Primary Examiner — Kevin Rudzinski

(74) *Attorney, Agent, or Firm* — McKee, Voorhees & Sease, P.L.C.

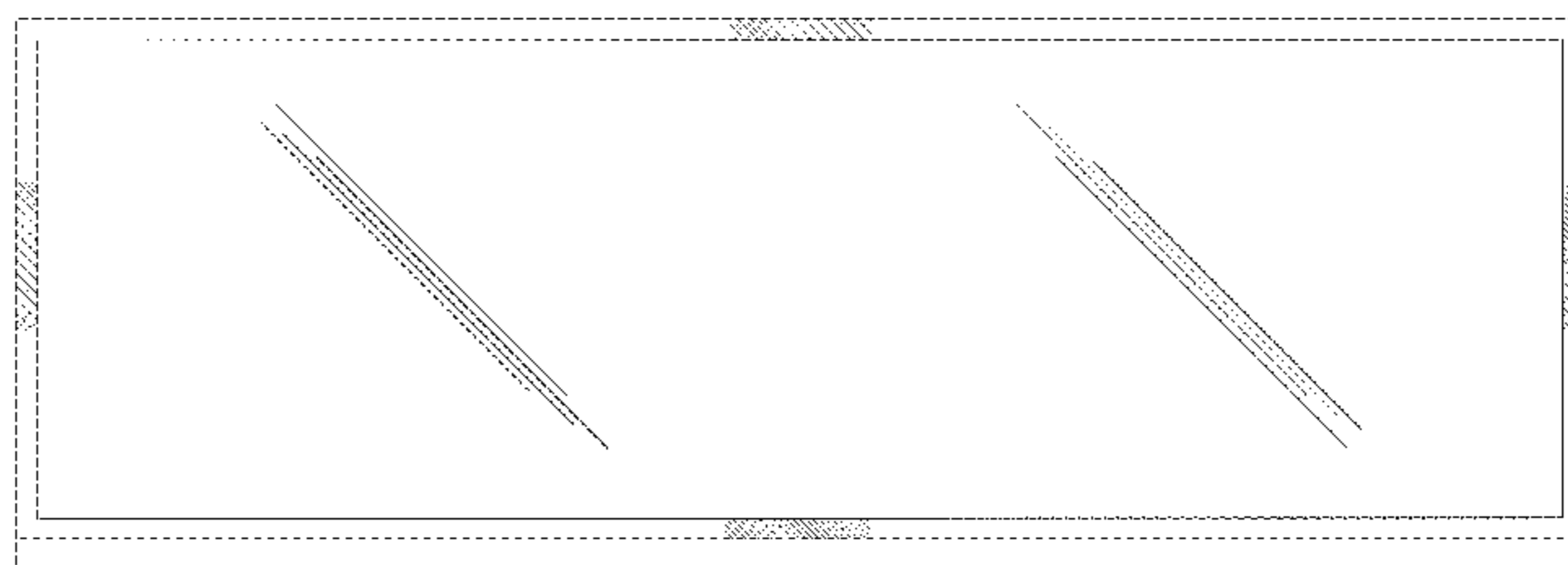
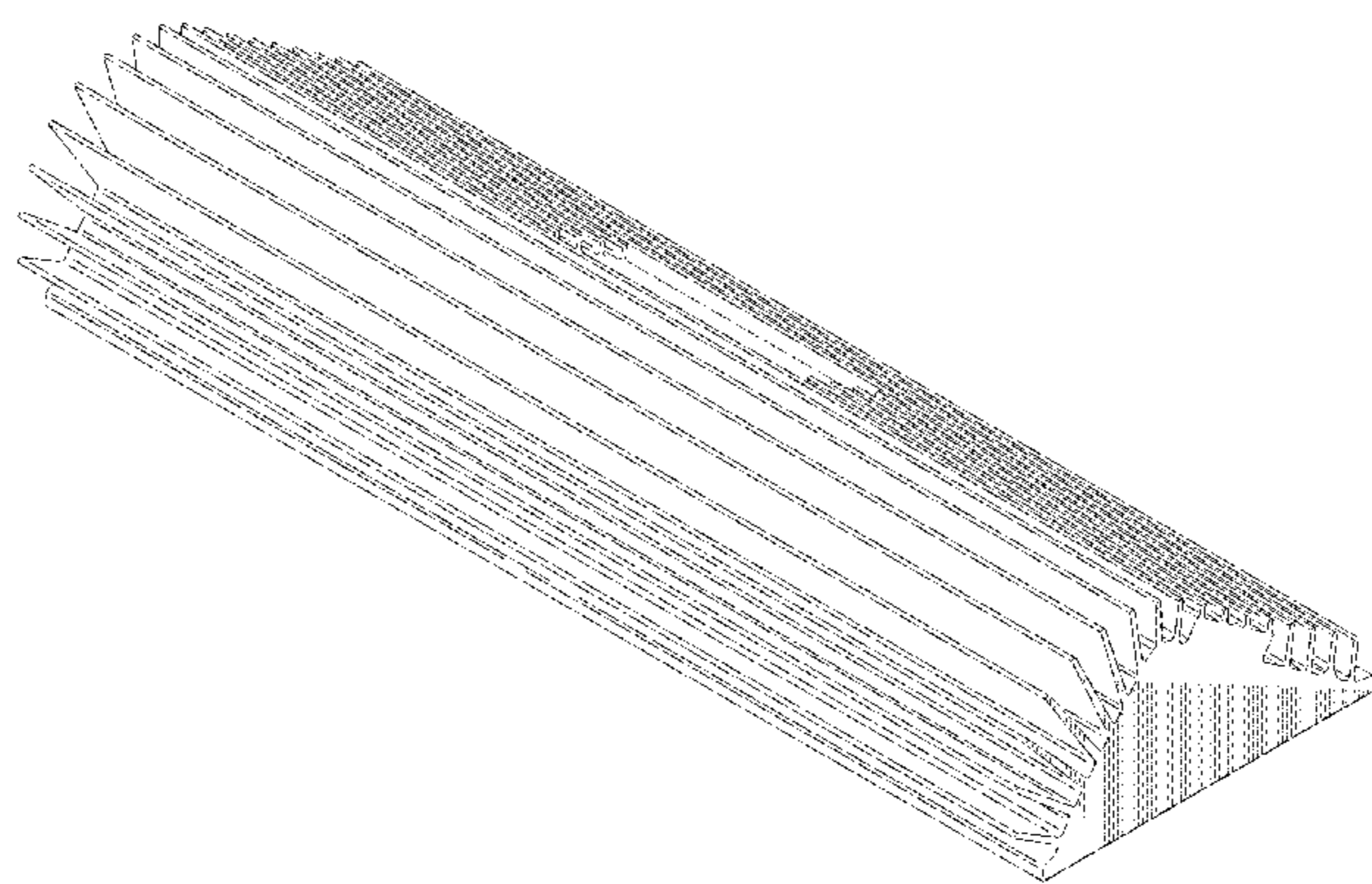
(57) **CLAIM**

The ornamental design for an adjustable lighting fixture, as shown and described.

DESCRIPTION

FIG. 1 is a perspective view of the claimed design;
FIG. 2 is a front elevation view of FIG. 1;
FIG. 3 is a back elevation view of FIG. 1;
FIG. 4 is a top plan view of FIG. 1;
FIG. 5 is a bottom plan view of FIG. 1;
FIG. 6 is a right side view of FIG. 1; and,
FIG. 7 is a left side view of FIG. 1.
The broken lines shown in the drawings illustrating portions of the adjustable lighting fixture form no part of the claimed design.

1 Claim, 7 Drawing Sheets



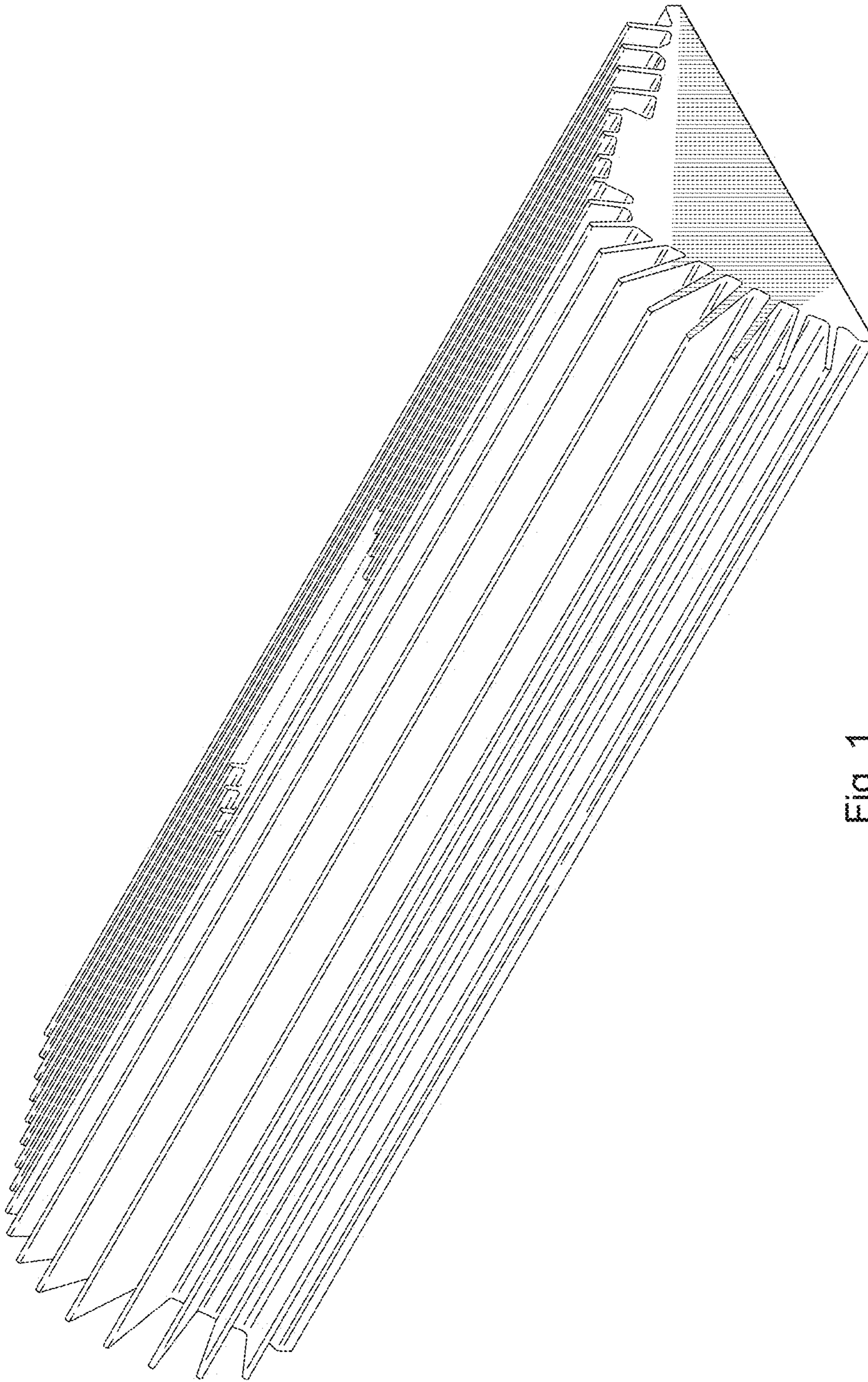


Fig. 1

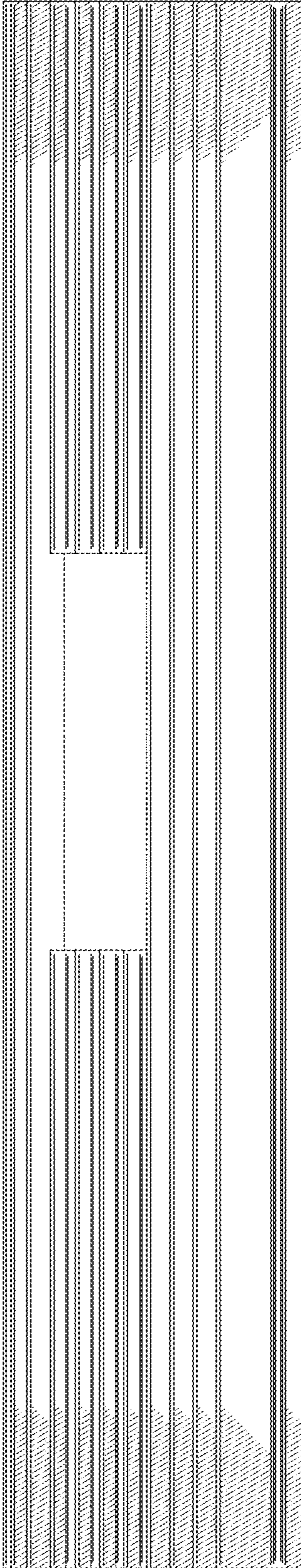


Fig. 3

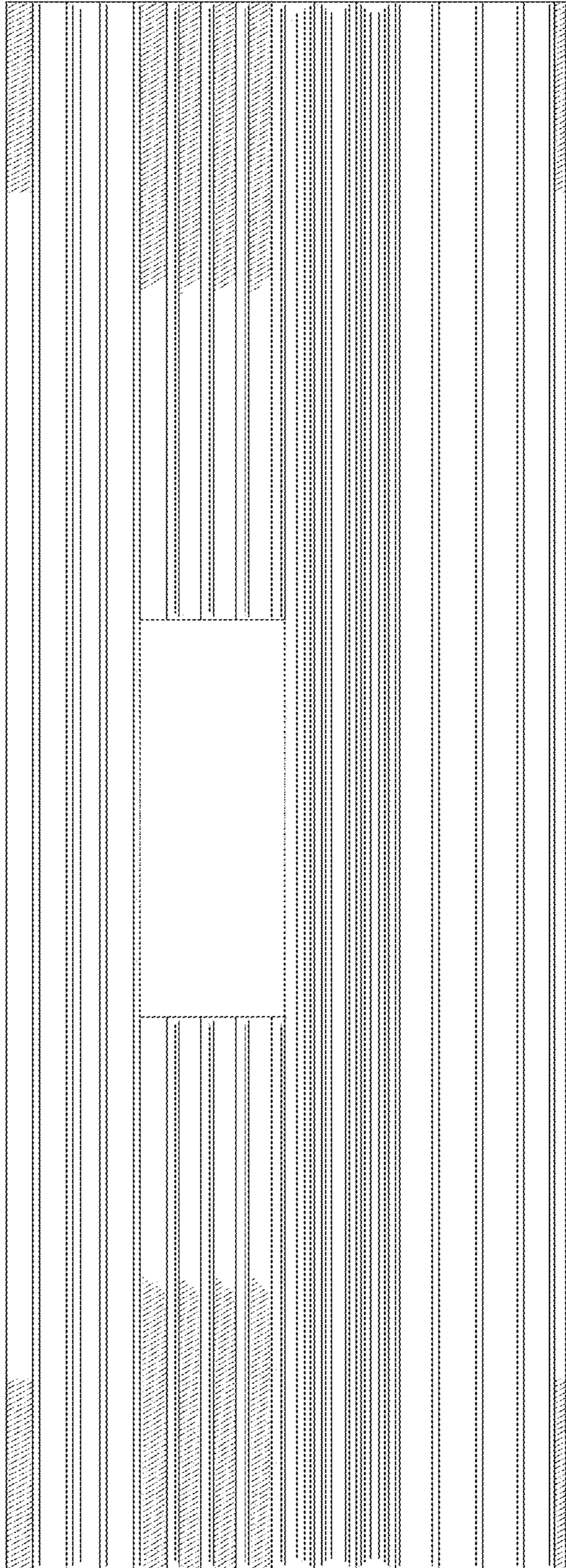


Fig. 4

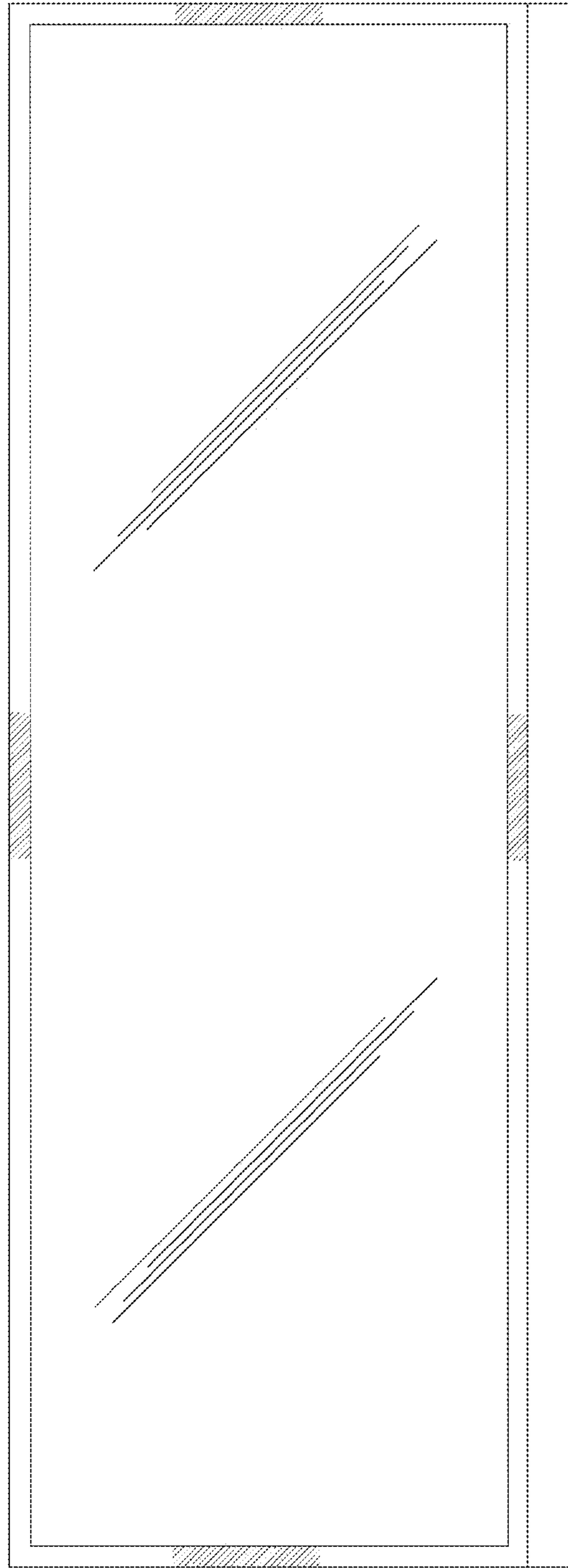


Fig. 5

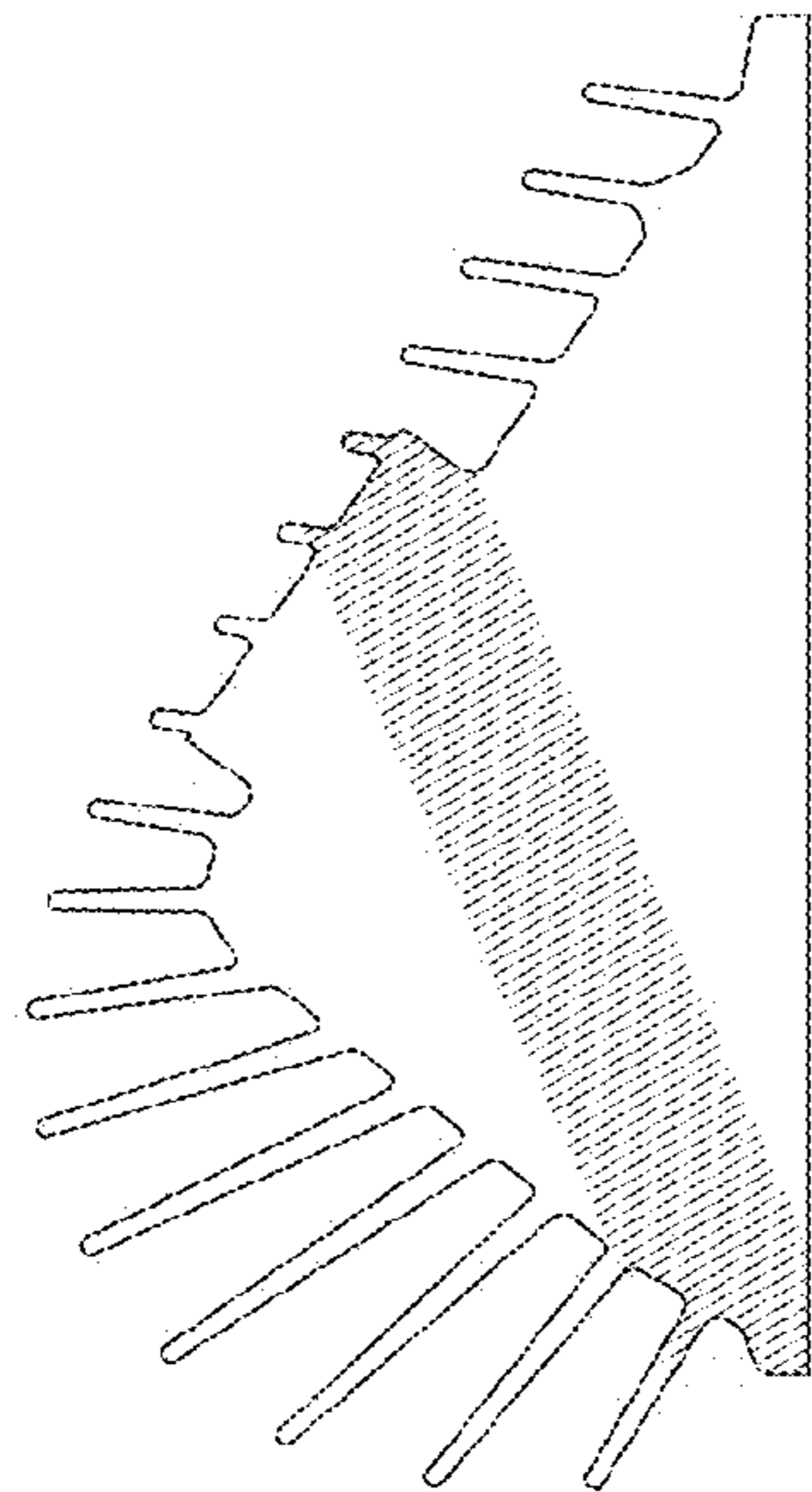


Fig. 6

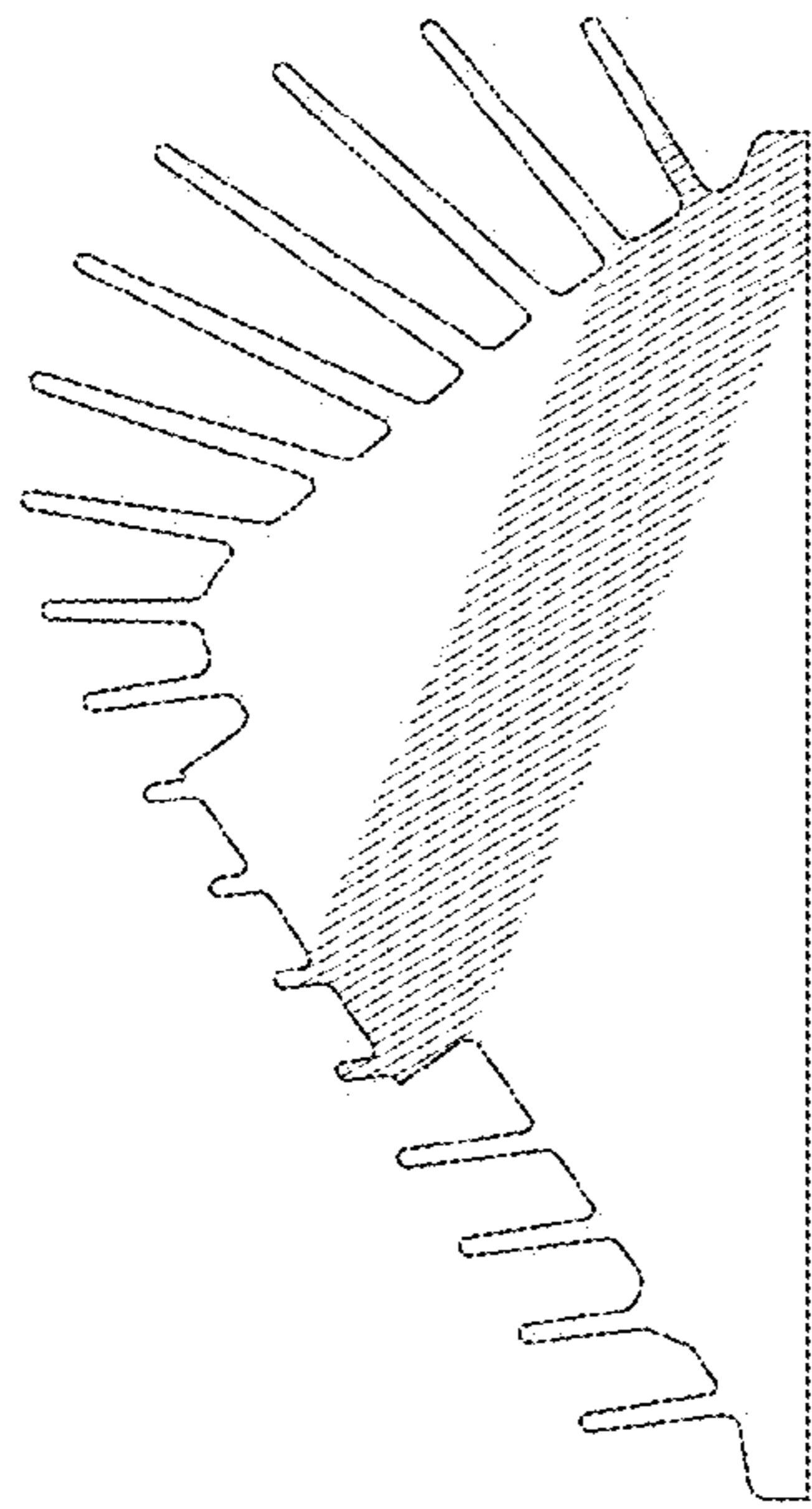


Fig. 7