



US00D695949S

(12) **United States Design Patent**  
**Gordin et al.**

(10) **Patent No.:** **US D695,949 S**

(45) **Date of Patent:** **\*\* Dec. 17, 2013**

(54) **ADJUSTABLE LIGHTING FIXTURE**

(71) Applicant: **Musco Corporation**, Oskaloosa, IA  
(US)

(72) Inventors: **Myron Gordin**, Oskaloosa, IA (US);  
**Timothy J. Boyle**, Oskaloosa, IA (US);  
**Steven T. Heaton**, Oskaloosa, IA (US);  
**Philip D. Hol**, New Sharon, IA (US)

(73) Assignee: **Musco Corporation**, Oskaloosa, IA  
(US)

(\*\*) Term: **14 Years**

(21) Appl. No.: **29/455,365**

(22) Filed: **May 20, 2013**

(51) **LOC (9) Cl.** ..... **26-99**

(52) **U.S. Cl.**  
USPC ..... **D26/118**

(58) **Field of Classification Search**  
USPC ..... D26/152, 113, 118, 119, 154, 61, 62,  
D26/65, 75, 16, 1, 2, 3, 120, 138, 128, 155,  
D26/76, 121, 124, 125, 123, 141, 142, 66,  
D26/68, 86, 71, 72, 77, 78, 151, 145, 74, 85,  
D26/89, 82, 84, 92, 87, 136, 63, 59, 58, 28,  
D26/88, 11, 9, 22, 81, 127, 129, 130, 131,  
D26/133, 134, 135, 55; D13/179, 180;  
362/219, 223, 225, 347, 346, 373, 326,  
362/283, 249.02, 362, 374, 375, 408, 327,  
362/328, 404, 297, 147, 149, 249.03,  
362/249.11; D23/377, 411, 413; D11/89,  
D11/90

See application file for complete search history.

(56) **References Cited**

U.S. PATENT DOCUMENTS

D201,884	S	*	8/1965	Blake et al.	.....	D13/125
D267,005	S	*	11/1982	Dennis	.....	D13/179
D338,449	S	*	8/1993	Sahyoun	.....	D13/179
D387,333	S	*	12/1997	Pellow et al.	.....	D13/179
D426,195	S	*	6/2000	Kuo	.....	D13/179
D429,703	S	*	8/2000	Gauffin	.....	D13/179
D438,135	S	*	2/2001	DiDomizio et al.	.....	D10/111
D530,668	S	*	10/2006	Carson et al.	.....	D13/110
D621,968	S	*	8/2010	Schultz	.....	D26/1
D633,230	S	*	2/2011	Chen	.....	D26/24
D641,908	S	*	7/2011	McKee	.....	D26/71
D644,370	S	*	8/2011	Lickiss	.....	D26/85
D661,008	S	*	5/2012	Yuan	.....	D26/74
D672,902	S	*	12/2012	Collins et al.	.....	D26/89
2009/0262533	A1	*	10/2009	Liu et al.	.....	362/249.02

\* cited by examiner

*Primary Examiner* — Kevin Rudzinski

(74) *Attorney, Agent, or Firm* — McKee, Voorhees & Sease, P.L.C.

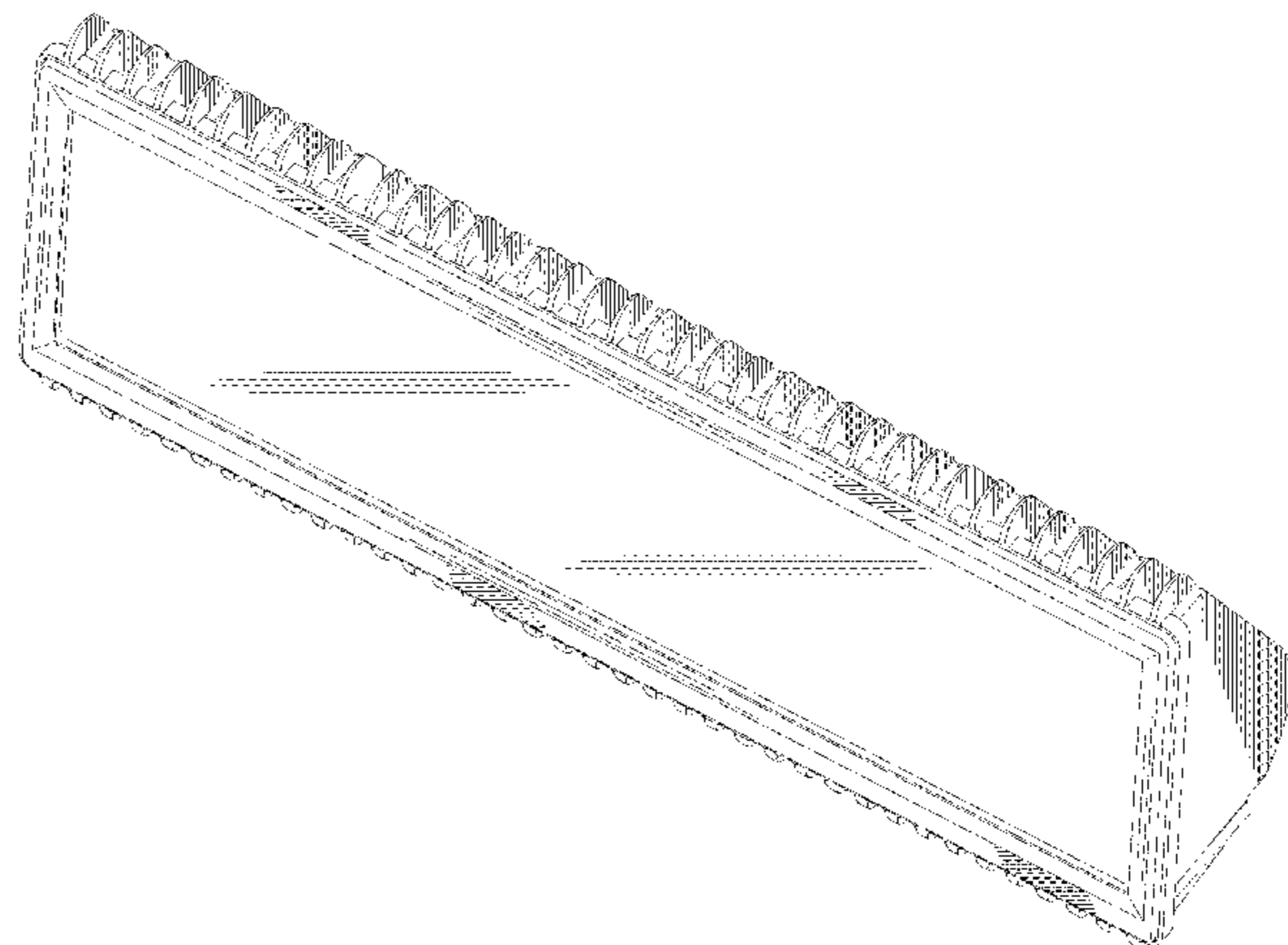
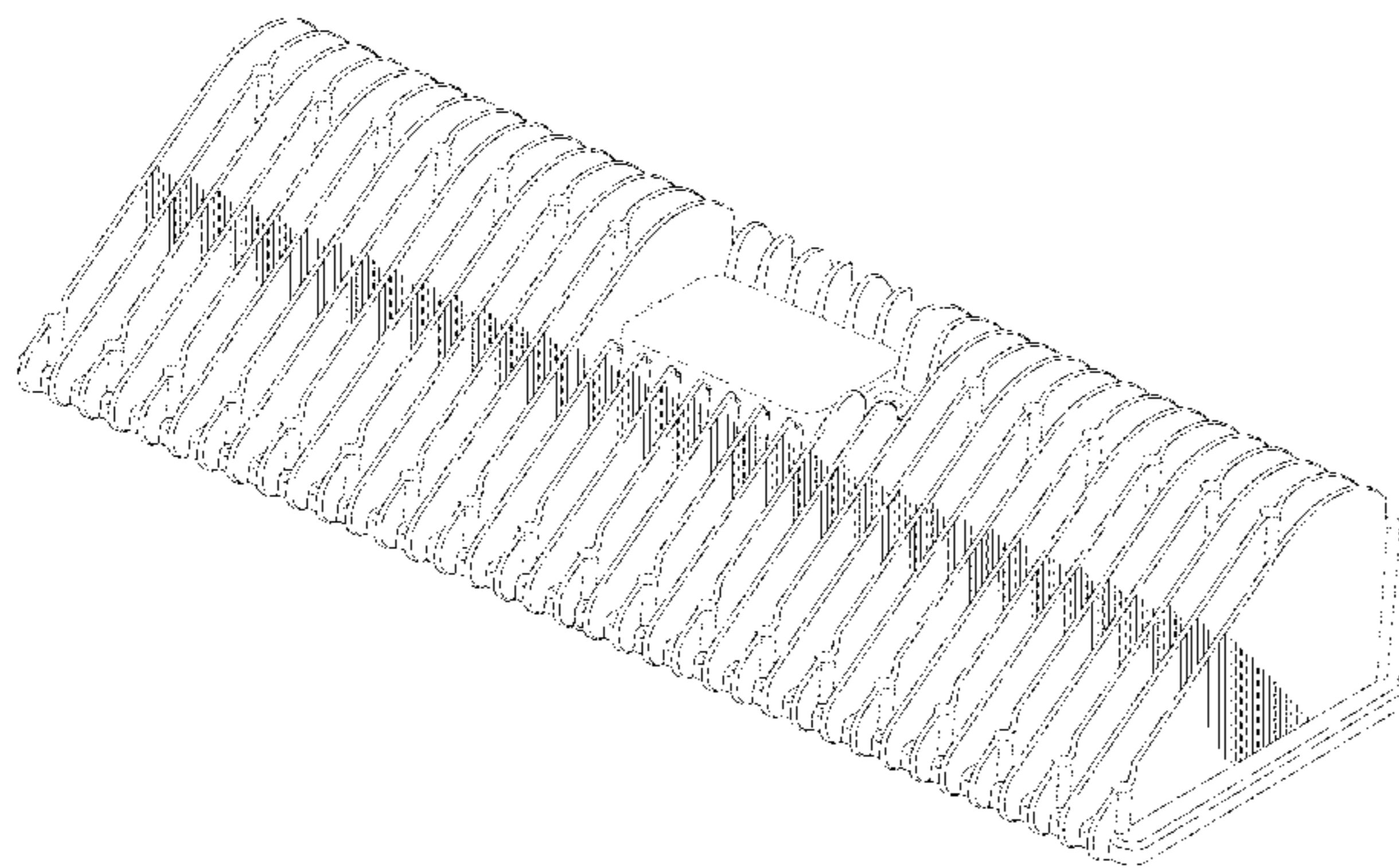
(57) **CLAIM**

The ornamental design for an adjustable lighting fixture, as shown and described.

**DESCRIPTION**

FIG. 1 is a perspective view of the claimed design;  
FIG. 2 is a perspective view of the claimed design from a different viewing direction;  
FIG. 3 is a top plan view of FIG. 1;  
FIG. 4 is a bottom plan view of FIG. 1;  
FIG. 5 is a front elevation of FIG. 1;  
FIG. 6 is a back elevation view of FIG. 1;  
FIG. 7 is a right side elevation of FIG. 1; and,  
FIG. 8 is a left side elevation of FIG. 1.  
The broken lines shown in the drawings illustrating portions of the adjustable lighting fixture form no part of the claimed design.

**1 Claim, 8 Drawing Sheets**



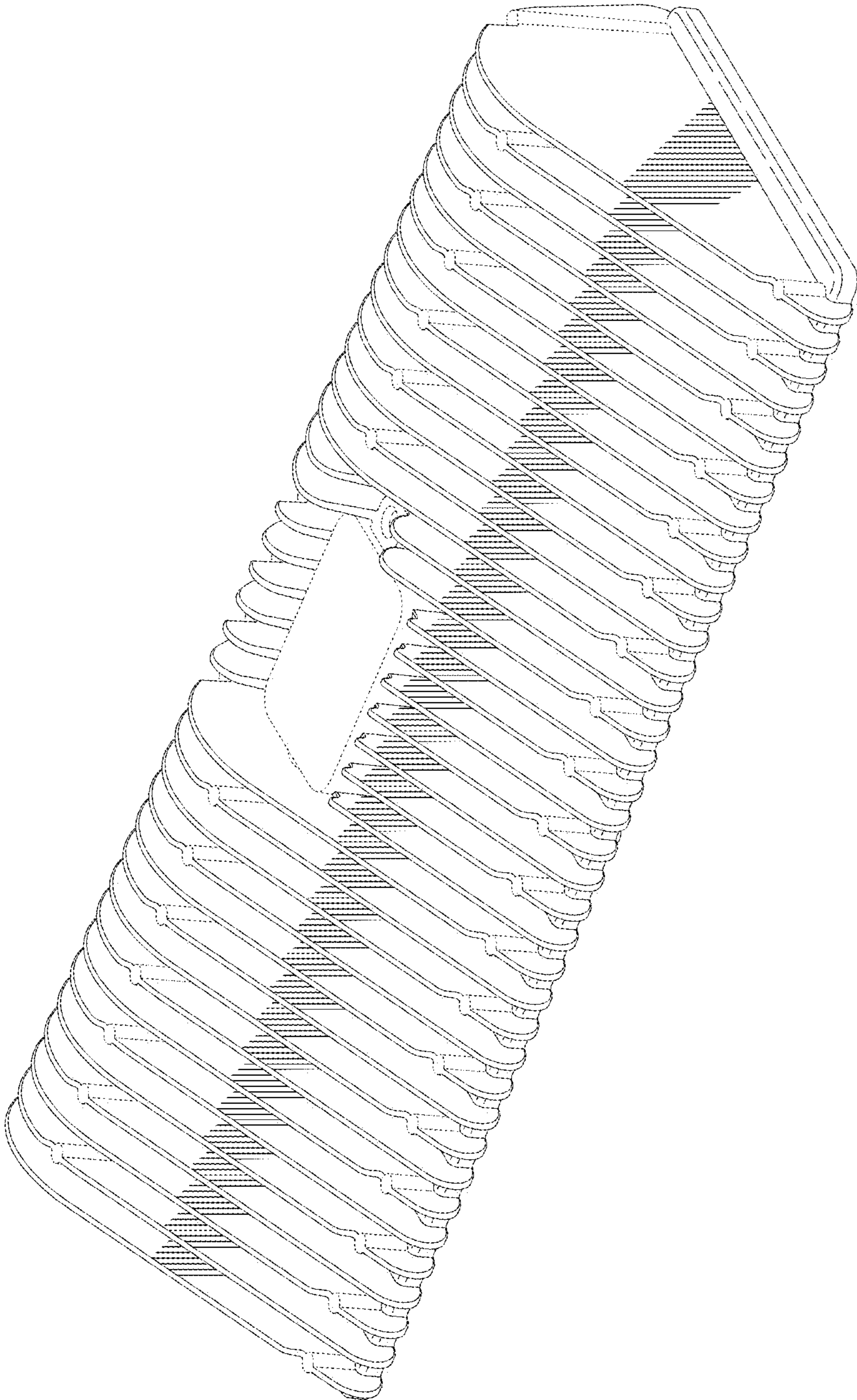


Fig. 1

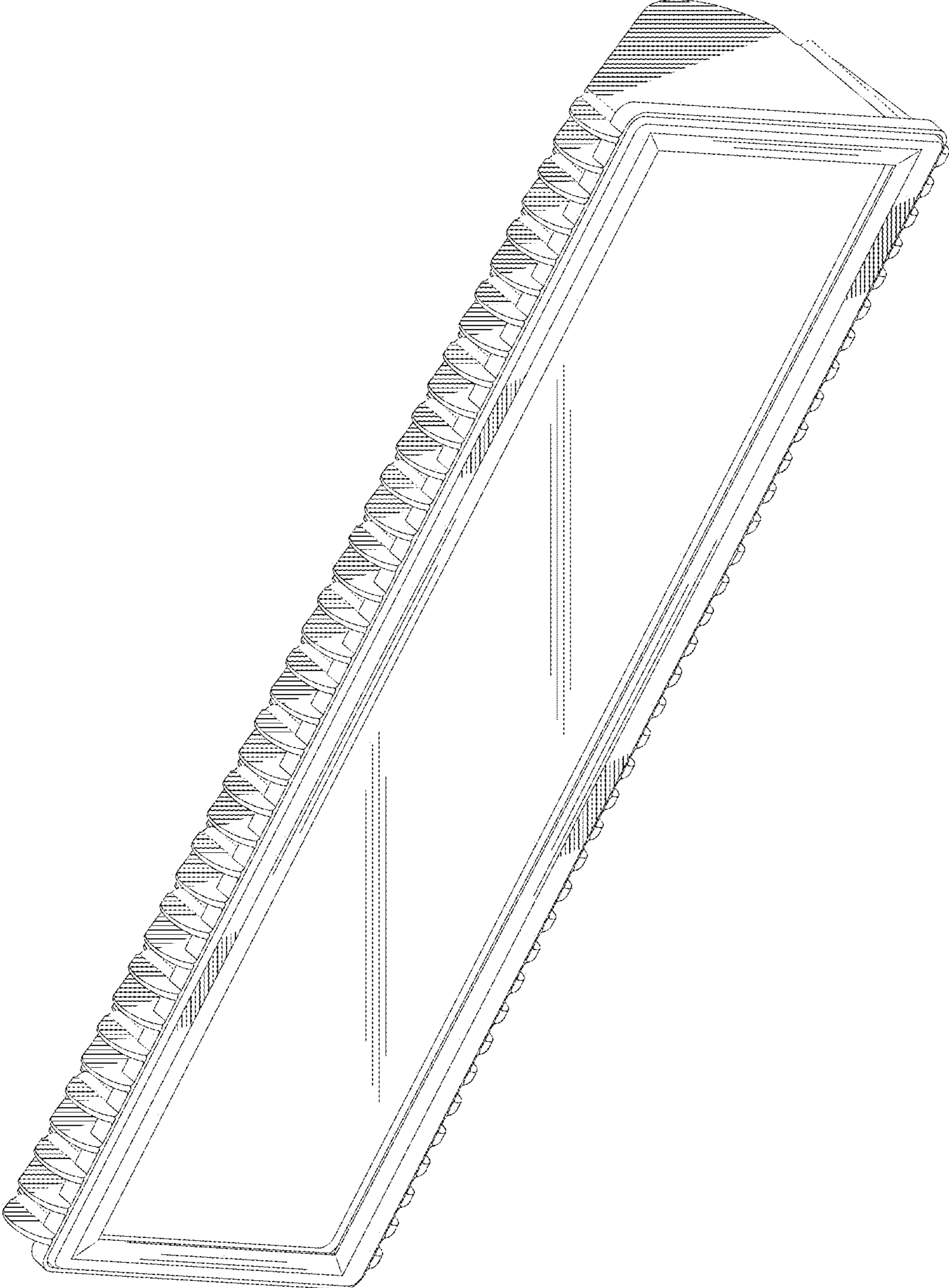


Fig. 2

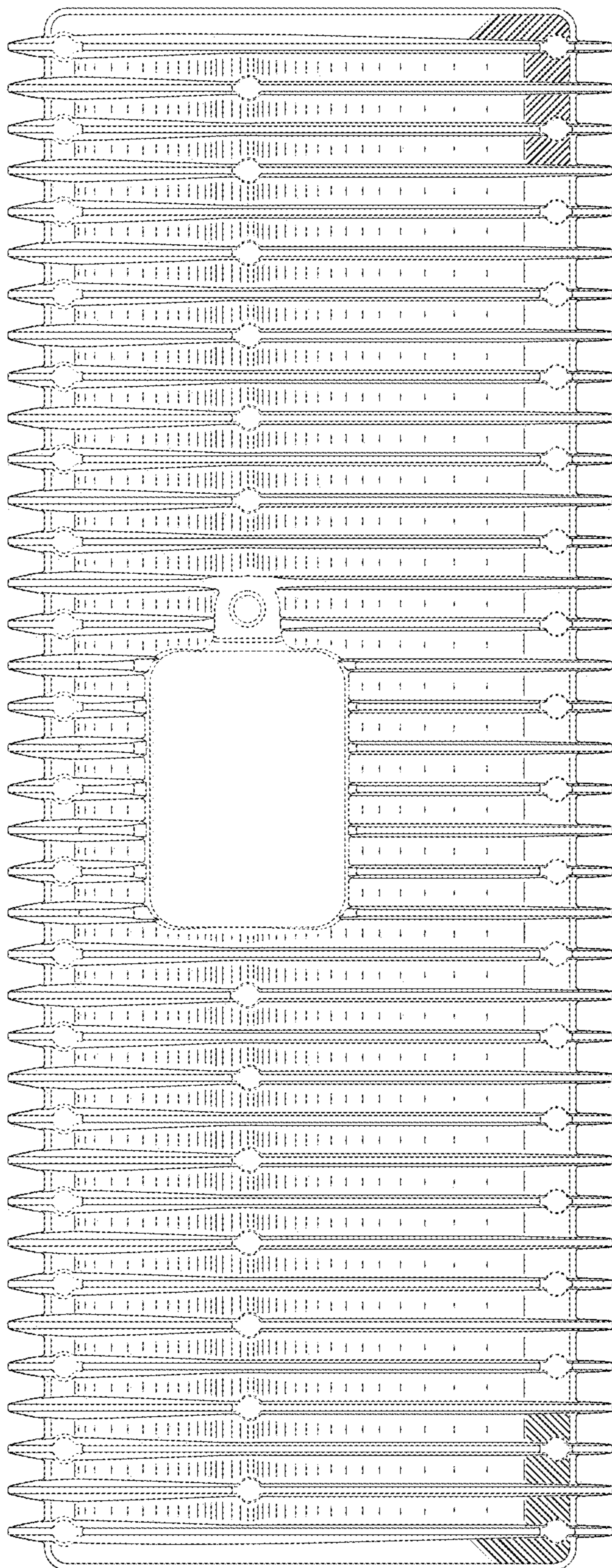


Fig. 3

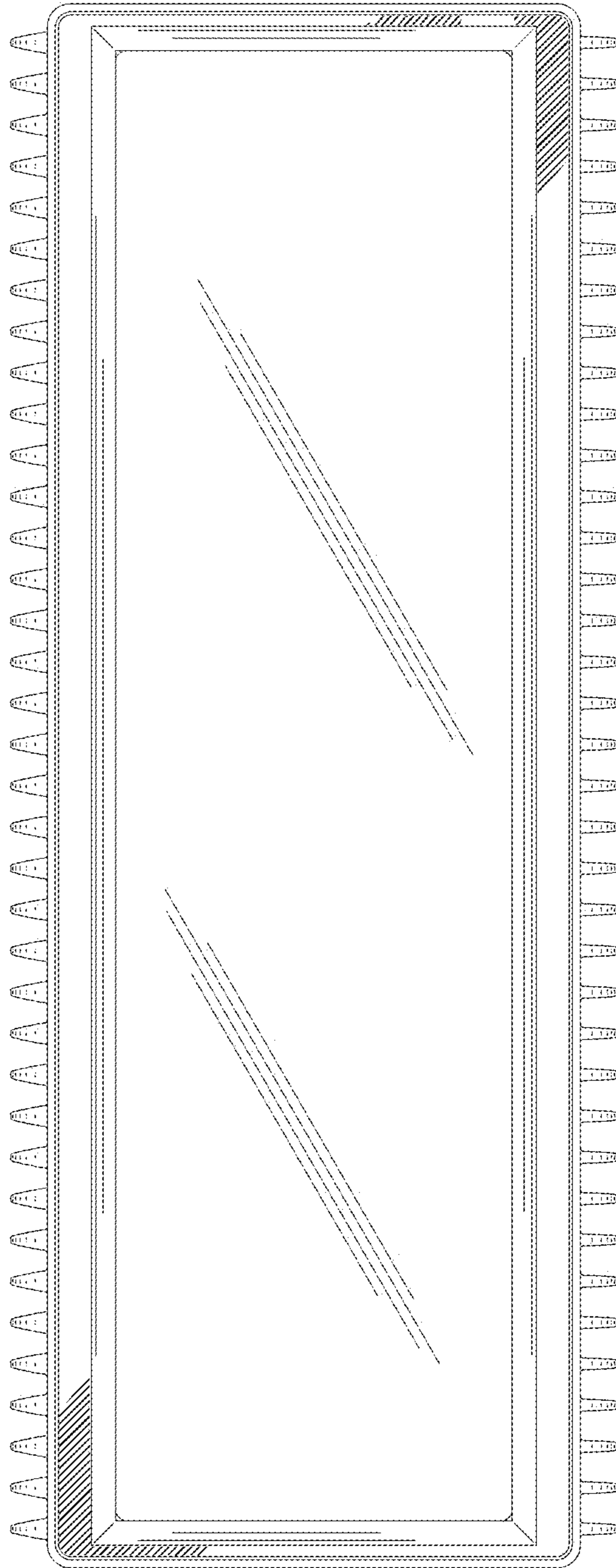


Fig. 4

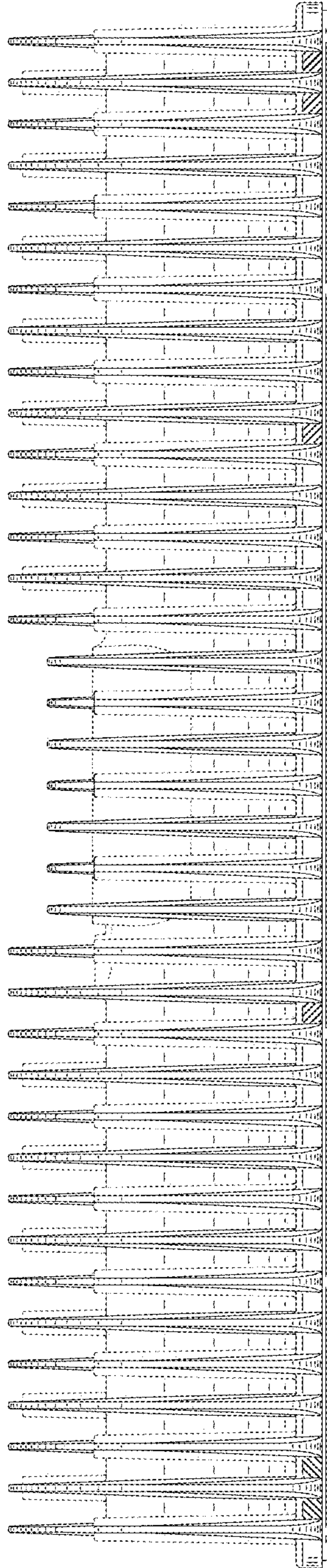


Fig. 5

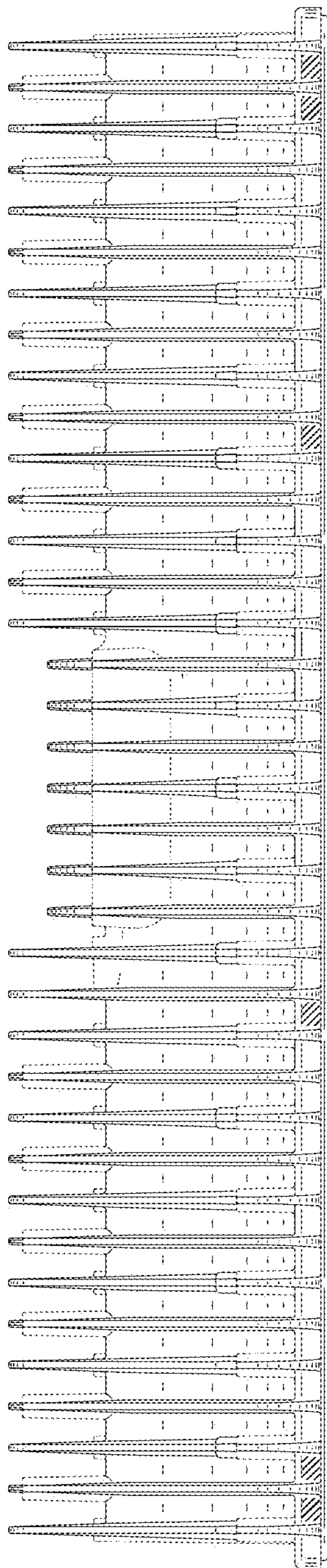


Fig. 6

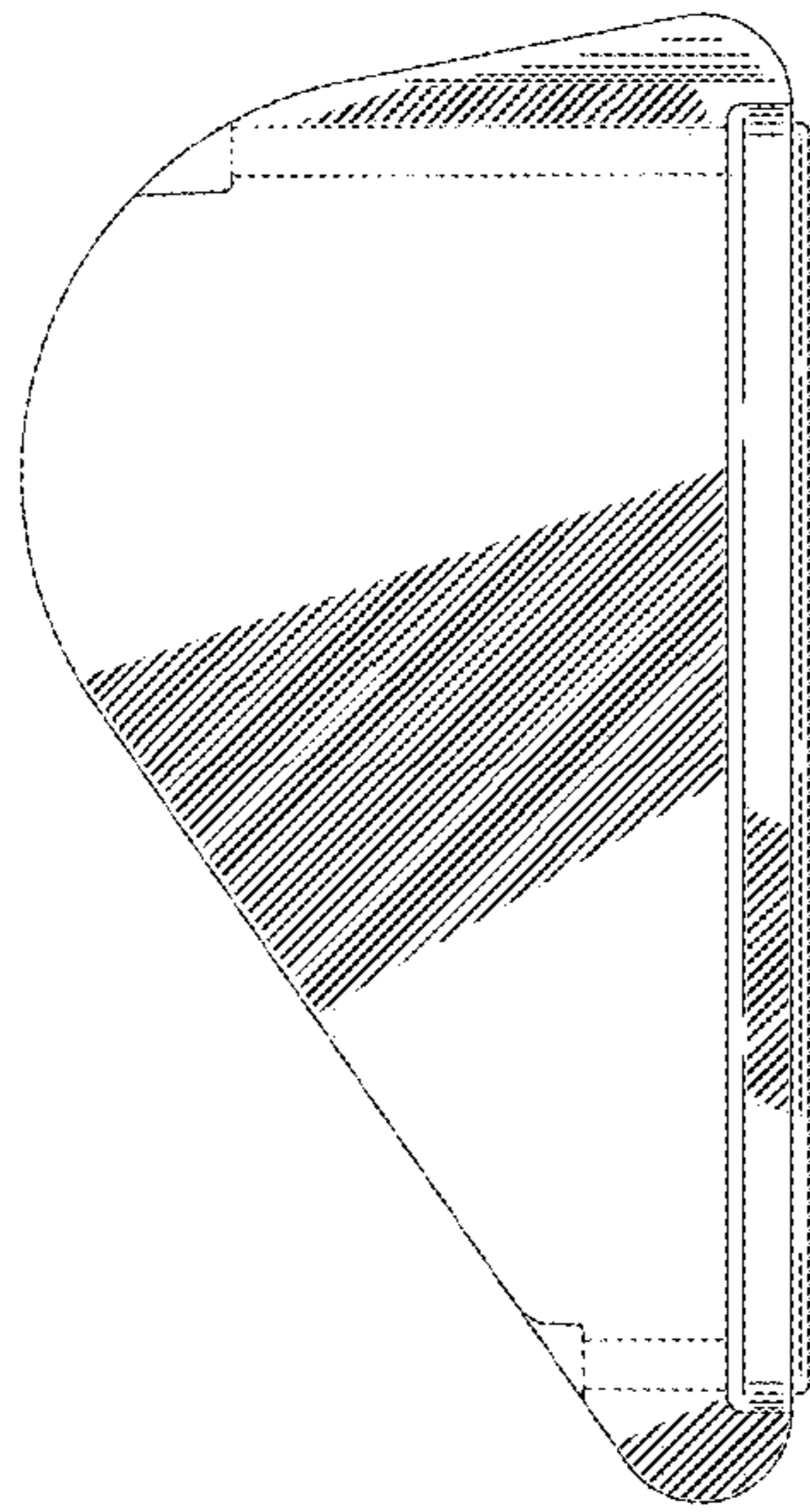


Fig. 7



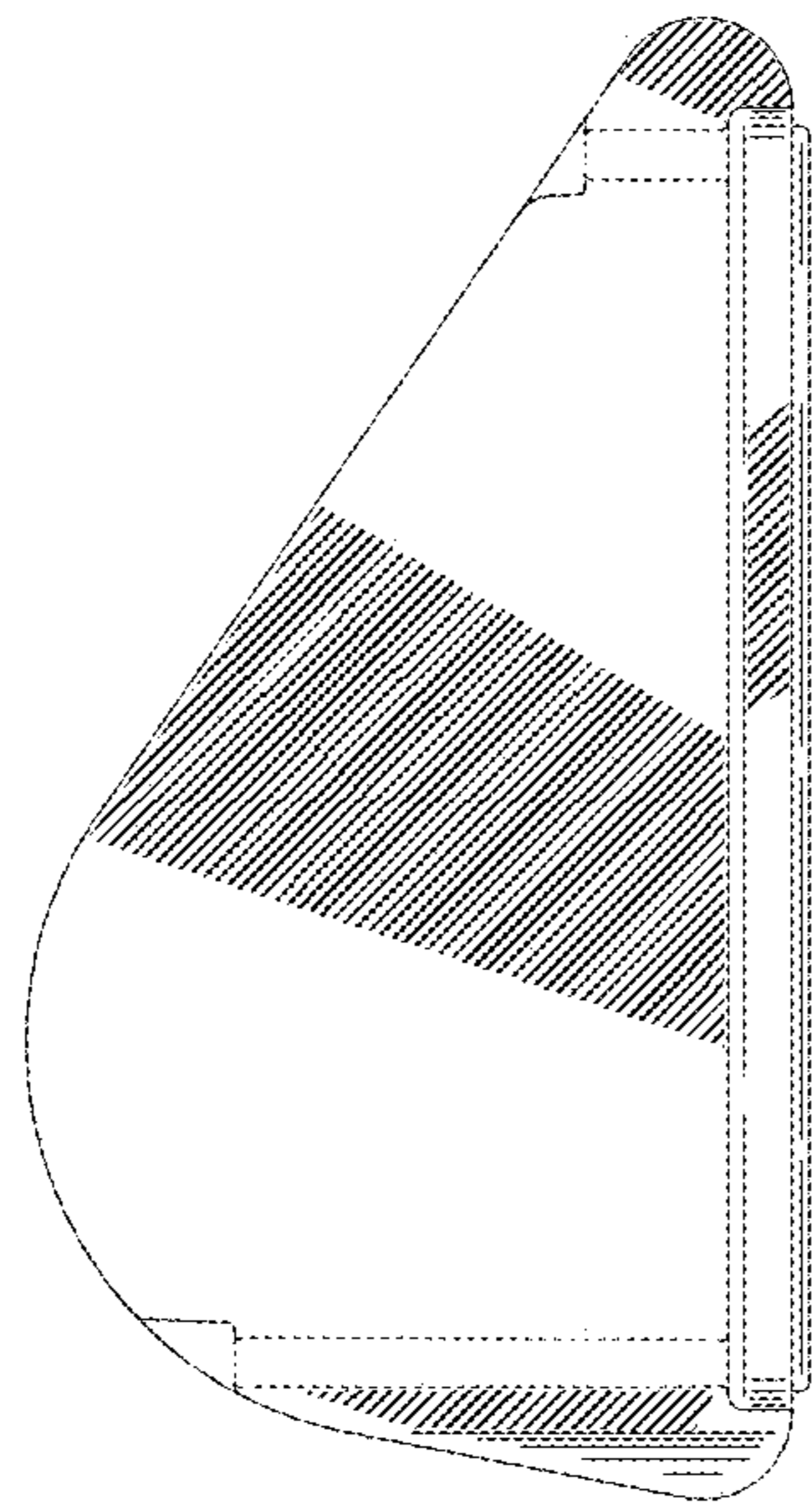


Fig. 8