

US00D695948S

(12) **United States Design Patent**
Sabernig

(10) **Patent No.:** **US D695,948 S**

(45) **Date of Patent:** **** Dec. 17, 2013**

- (54) **LIGHT FIXTURE**
- (71) Applicant: **EGLO Leuchten GmbH, Pill (AT)**
- (72) Inventor: **Robert Sabernig, Munster (AT)**
- (73) Assignee: **EGLO Leuchten GmbH, Pill (AT)**
- (**) Term: **14 Years**
- (21) Appl. No.: **29/448,821**
- (22) Filed: **Mar. 14, 2013**
- (51) **LOC (9) Cl.** **26-99**
- (52) **U.S. Cl.**
USPC **D26/118**
- (58) **Field of Classification Search**
USPC D26/25, 24, 26, 28, 113, 118, 119, 120,
D26/64, 65, 72, 74, 75, 73, 68, 69, 70, 71,
D26/152, 153, 154, 122, 123, 145, 155, 121,
D26/138, 139, 86, 85, 87, 89, 66, 67, 76, 77,
D26/78, 84, 88, 95, 96, 124, 125, 126, 227,
D26/128, 129, 146, 144, 130, 151, 142, 143,
D26/140, 141, 45, 38, 39, 1, 2, 3, 127;
362/362, 326, 373, 623, 600, 371, 297,
362/294, 249.01, 249.03–249.05, 218;
D10/111, 113.1, 114.1; 257/88;
D13/179, 180
See application file for complete search history.

(56) **References Cited**

U.S. PATENT DOCUMENTS

D149,124 S *	3/1948	Hewitt	D26/63
D204,791 S *	5/1966	Schwartz	D26/63
3,639,751 A *	2/1972	Pichel	362/261
D298,862 S *	12/1988	Tharp et al.	D26/88
D332,503 S *	1/1993	Ewing et al.	D26/88
D332,504 S *	1/1993	Ewing et al.	D26/88
D333,011 S *	2/1993	Ewing et al.	D26/88
D343,252 S *	1/1994	Belisle	D26/88

D383,236 S *	9/1997	Krogman	D26/63
D392,769 S *	3/1998	Dolan	D26/134
D403,798 S *	1/1999	Dolan	D26/87
D440,341 S *	4/2001	Arumugasaamy	D26/85
D454,219 S *	3/2002	Thompson	D26/63
D467,677 S *	12/2002	Ries et al.	D26/88
D468,049 S *	12/2002	Ries et al.	D26/89
D468,476 S *	1/2003	Dolan	D26/92
D516,229 S *	2/2006	Tang	D26/2
D557,439 S *	12/2007	Hsu	D26/83
D568,518 S *	5/2008	Schmidt	D26/63
D588,298 S *	3/2009	Sabernig	D26/88
D601,276 S *	9/2009	Grajcar	D26/2
D603,992 S *	11/2009	Sabernig	D26/63
D611,636 S *	3/2010	Sabernig	D26/63
D611,640 S *	3/2010	Sabernig	D26/63
D619,286 S *	7/2010	Sabernig	D26/62

(Continued)

Primary Examiner — Kevin Rudzinski

(74) *Attorney, Agent, or Firm* — Baker & McKenzie LLP

(57) **CLAIM**

The ornamental design for a light fixture, as shown and described.

DESCRIPTION

FIG. 1 is a perspective view of a light fixture in accordance with my design;

FIG. 2 is a front elevation view of the light fixture in accordance with my design;

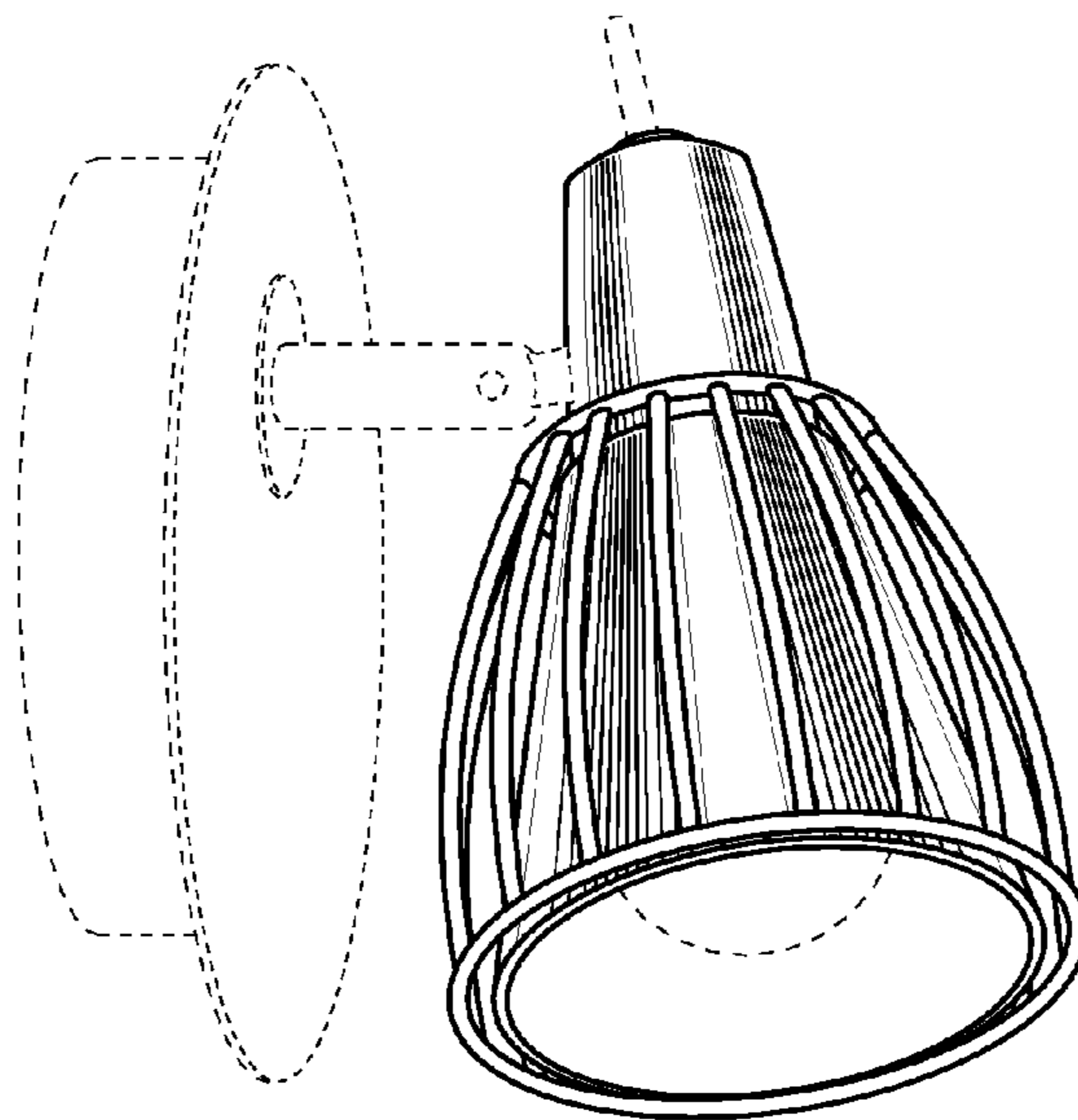
FIG. 3 is a right-side elevation view of the light fixture in accordance with my design;

FIG. 4 is a bottom plan view of the light fixture in accordance with my design; and,

FIG. 5 is a top plan view of the light fixture in accordance with my design.

The broken-line disclosure of elements is understood to represent portions of the article in which the design is embodied, but which form no part of the claimed design.

1 Claim, 1 Drawing Sheet



US D695,948 S

Page 2

(56)

References Cited

U.S. PATENT DOCUMENTS

D620,182 S *	7/2010	Sabernig	D26/88	
D622,884 S *	8/2010	Sabernig	D26/63	
D628,330 S *	11/2010	Sabernig	D26/63	
					* cited by examiner
7,985,005 B2 *	7/2011	Alexander et al.	362/294	
D650,936 S *	12/2011	Sabernig	D26/65	
D665,527 S *	8/2012	Harger	D26/136	
D675,371 S *	1/2013	Nowak	D26/128	

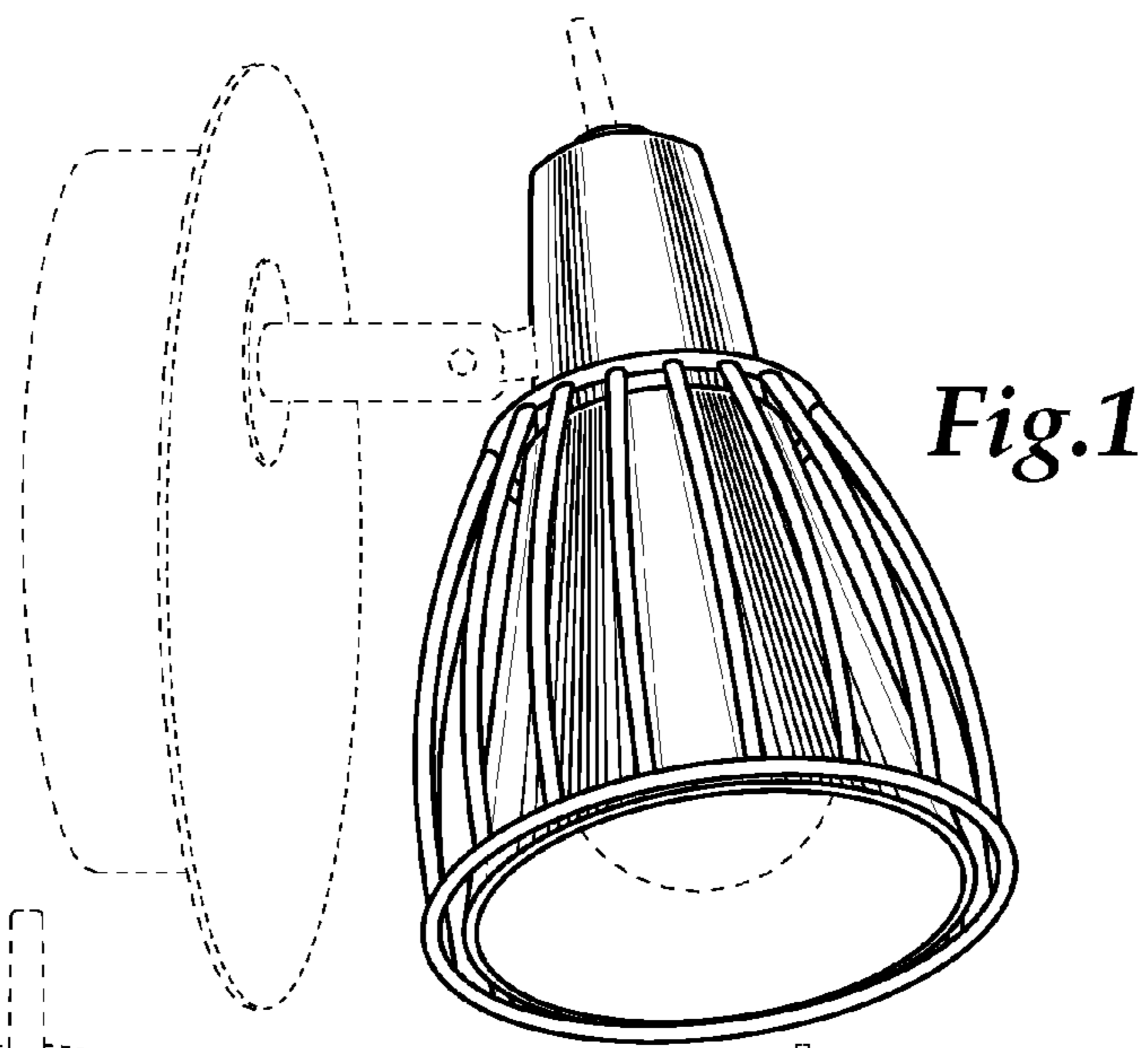


Fig.1

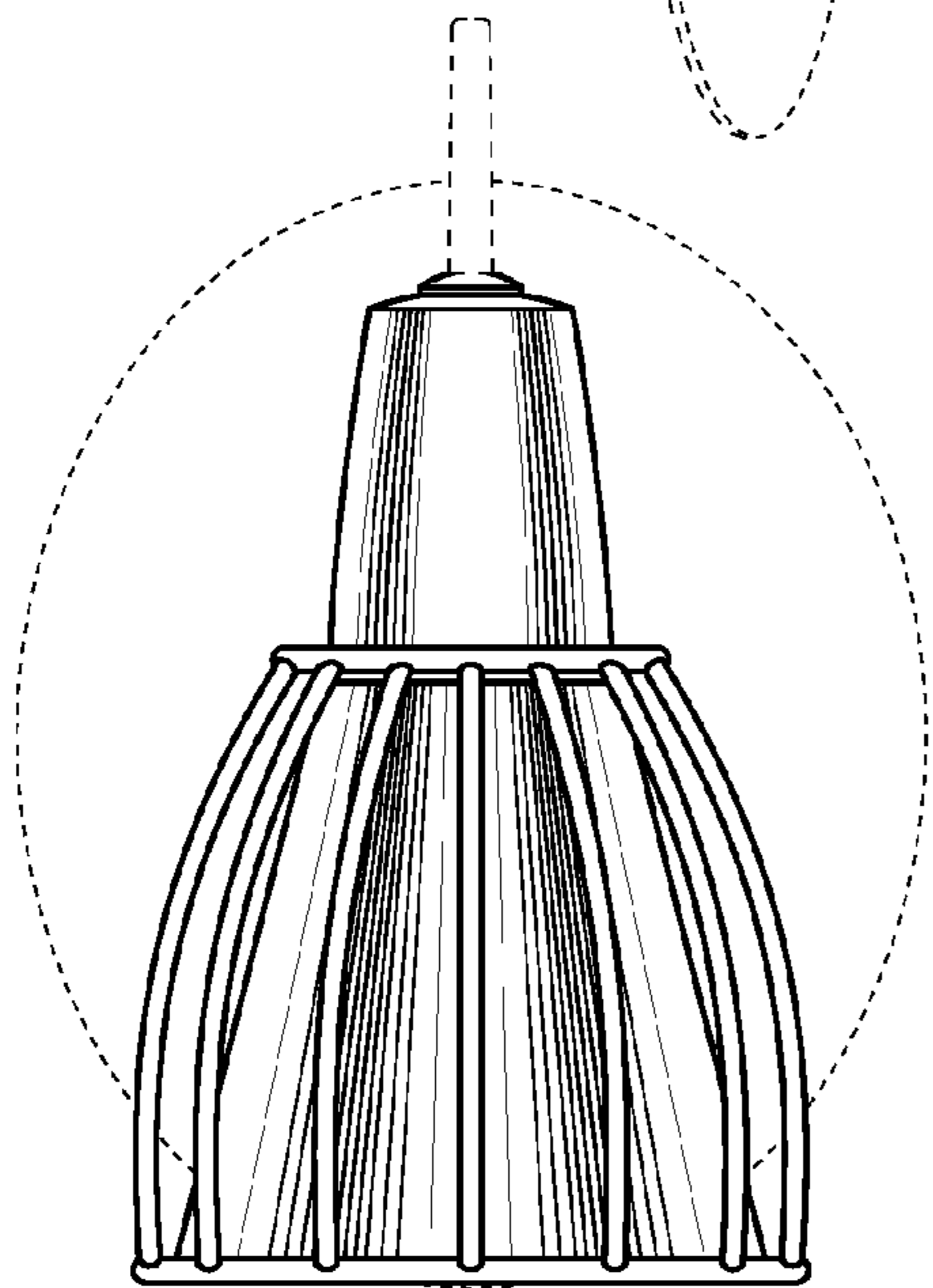


Fig.2

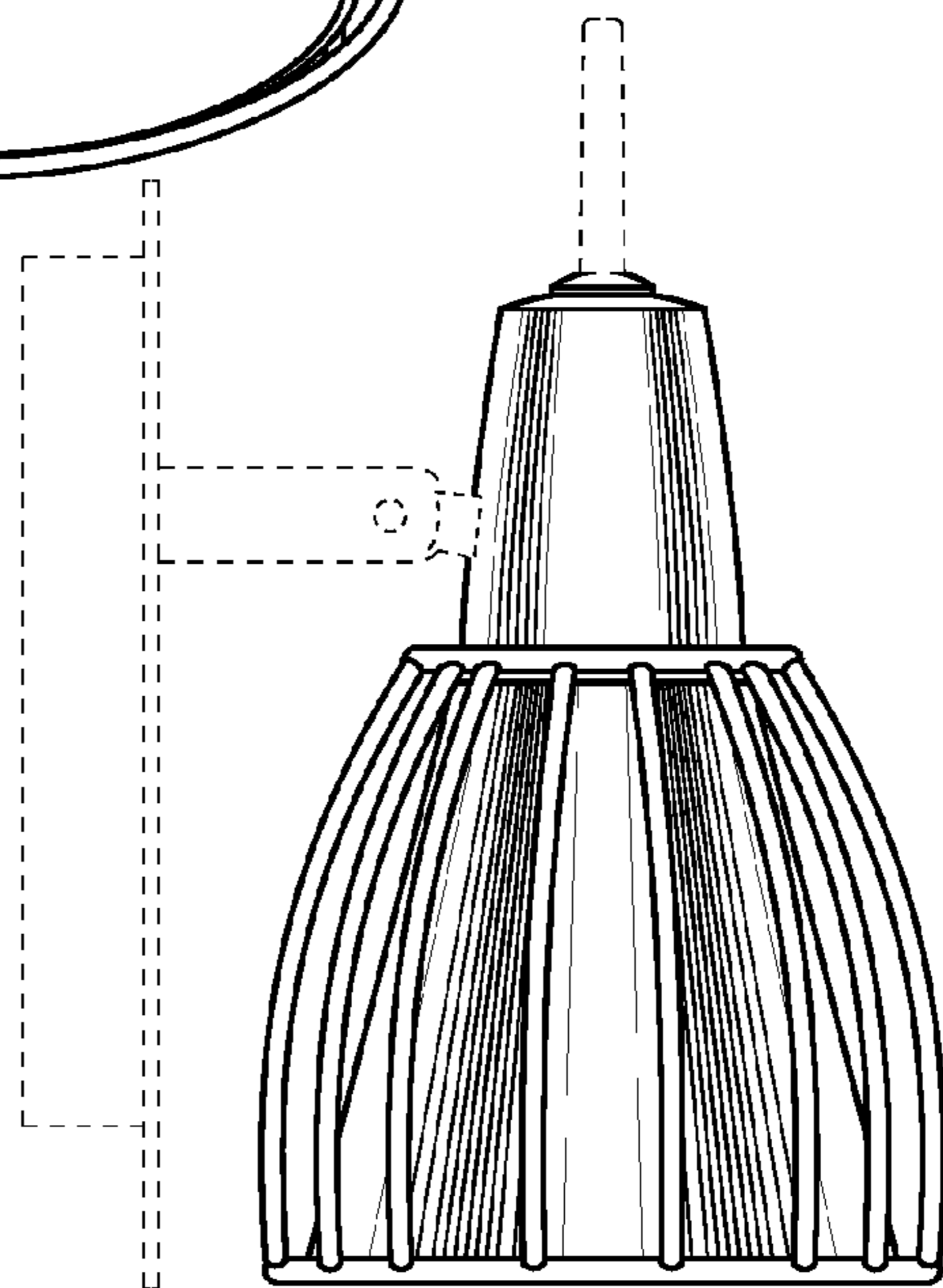


Fig.3

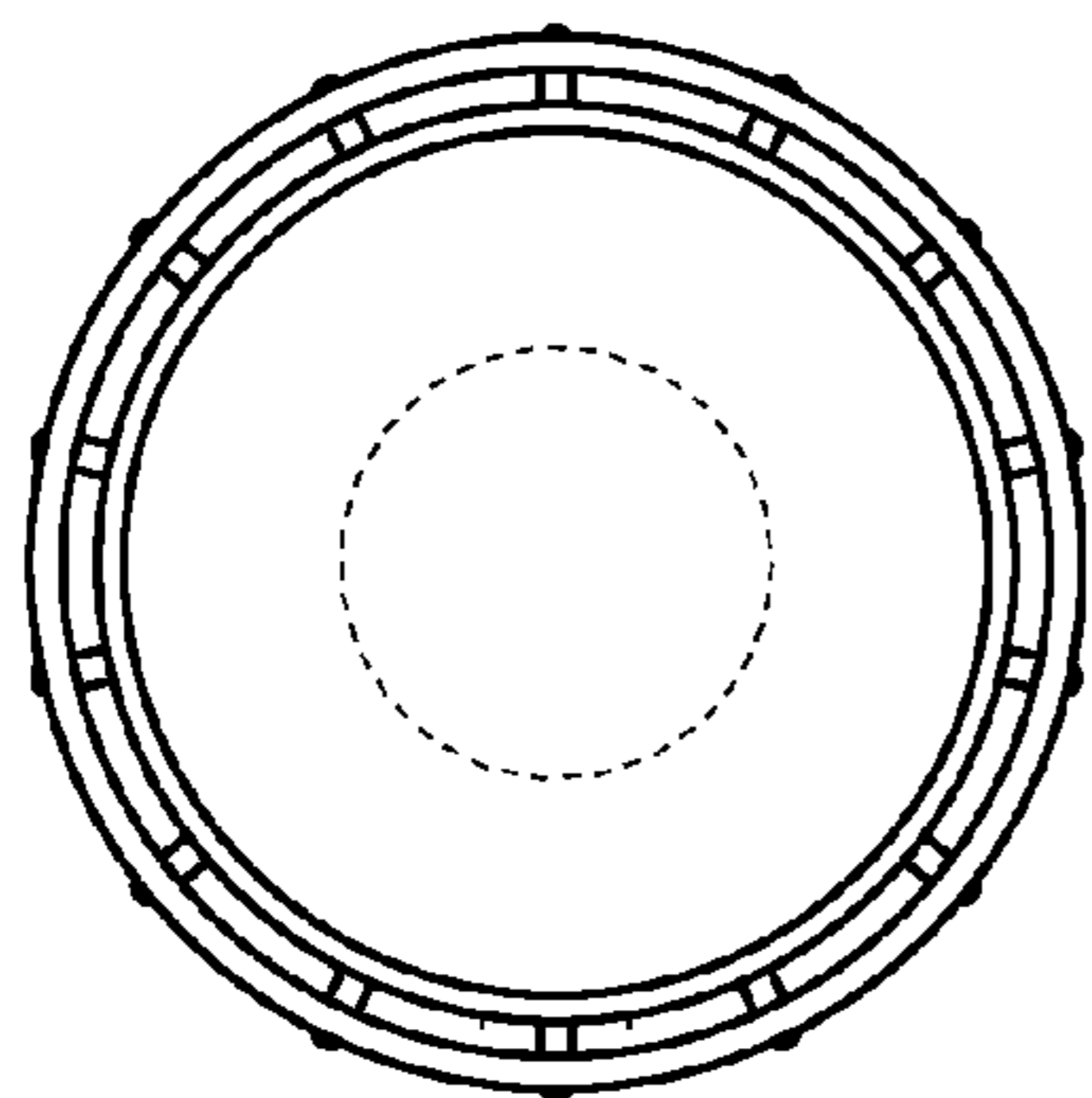


Fig.4

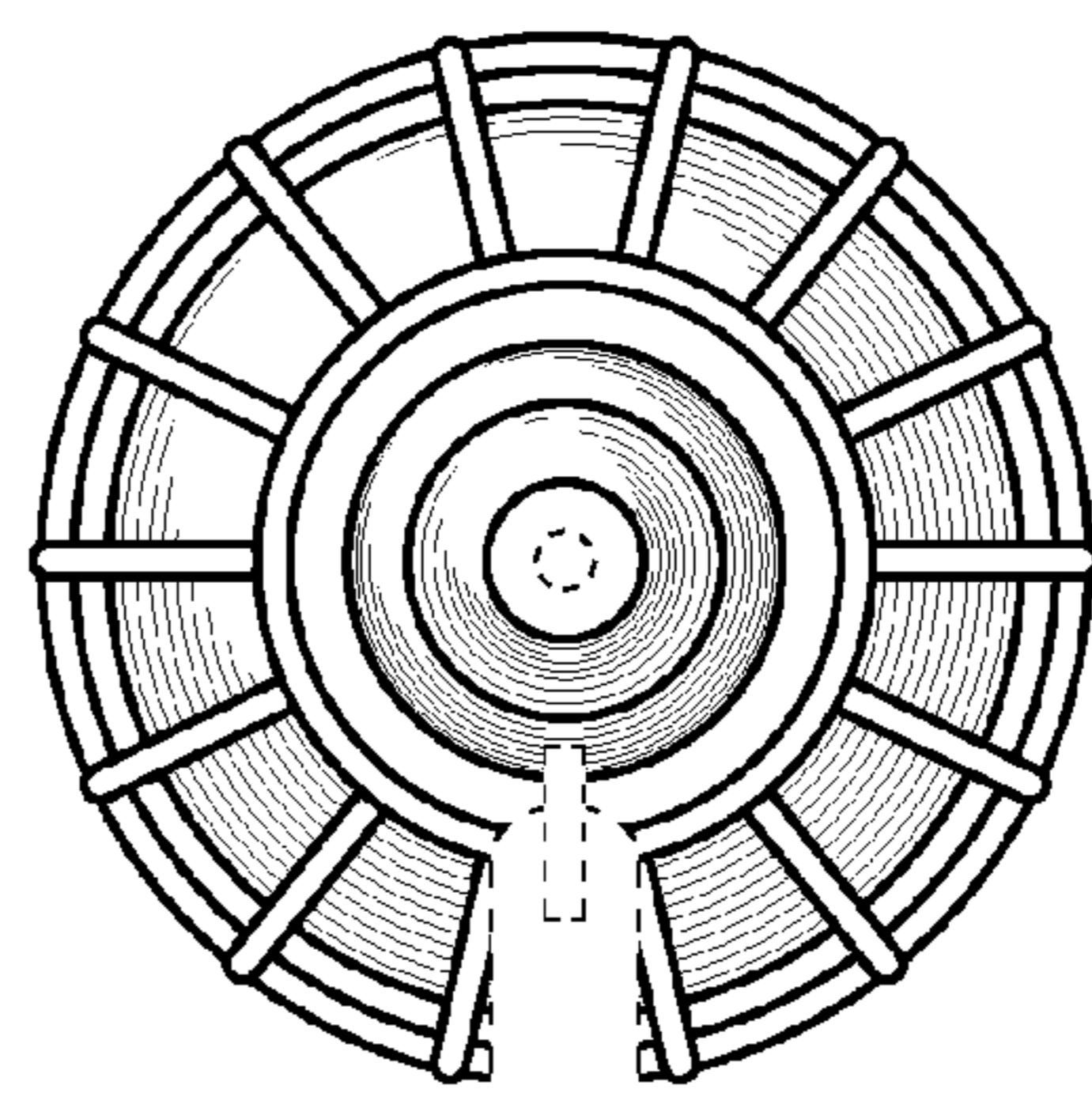


Fig.5