

US00D695947S

(12) **United States Design Patent**
Jun

(10) **Patent No.:** **US D695,947 S**
(45) **Date of Patent:** **** Dec. 17, 2013**

- (54) **HEAD-LAMP BATTERY ENCLOSURE**
- (71) Applicant: **Suprex Canada Ltd.**, Willowdale (CA)
- (72) Inventor: **Ding Wen Jun**, Jhejiang (CN)
- (73) Assignee: **Suprex Canada Ltd.**, Ontario (CA)
- (**) Term: **14 Years**
- (21) Appl. No.: **29/438,745**
- (22) Filed: **Dec. 3, 2012**
- (51) **LOC (9) Cl.** **26-99**
- (52) **U.S. Cl.**
USPC **D26/113**
- (58) **Field of Classification Search**
USPC D26/25, 24, 26, 28, 113, 118, 119, 120,
D26/64, 65, 72, 74, 75, 73, 68, 69, 70, 71,
D26/152, 153, 154, 122, 123, 145, 155, 121,
D26/138, 139, 86, 85, 87, 89, 66, 67, 76, 77,
D26/78, 84, 88, 95, 96, 124, 125, 126, 227,
D26/128, 129, 146, 144, 130, 151, 142, 143,
D26/140, 141, 45, 38, 39, 1, 2, 3, 127;
362/362, 326, 373, 623, 600, 371, 297,
362/294, 249.01, 249.03–249.05, 218;
D10/111, 113.1, 114.1; 257/88;
D13/179, 180
See application file for complete search history.

D528,678	S	*	9/2006	Yen	D26/28
D531,335	S	*	10/2006	Garrity	D26/39
D566,310	S	*	4/2008	Alessio	D26/39
D592,781	S	*	5/2009	Petzl	D26/39
7,568,812	B1	*	8/2009	Kumthampinij et al.	362/105
D615,225	S	*	5/2010	DeBrunner	D26/39
D621,079	S	*	8/2010	Lau	D26/39
D624,221	S	*	9/2010	DeBrunner	D26/39
7,926,967	B2	*	4/2011	Spartano et al.	362/105
8,038,311	B2	*	10/2011	Lau	362/105
D650,103	S	*	12/2011	Lee	D26/39
D677,816	S	*	3/2013	Petzl	D26/39
D683,489	S	*	5/2013	Lee	D26/39
8,449,132	B2	*	5/2013	Lau	362/105
2003/0117799	A1	*	6/2003	Shiu	362/251
2008/0205036	A1	*	8/2008	Tarter et al.	362/105
2009/0207591	A1	*	8/2009	Kumthampinij et al.	362/105

* cited by examiner

Primary Examiner — Kevin Rudzinski
(74) *Attorney, Agent, or Firm* — Fredrikson & Byron, P.A.

(57) **CLAIM**
The ornamental design for a head-lamp battery enclosure, as shown and described.

DESCRIPTION

FIG. 1 is a perspective, environmental view of a head-lamp battery enclosure of my new design;
FIG. 2 is a front elevation view thereof;
FIG. 3 is top, plan view thereof;
FIG. 4 is a side elevation view thereof;
FIG. 5 is a bottom, plan view thereof;
FIG. 6 is a side elevation view thereof; and,
FIG. 7 is a back, elevation view thereof.
The broken lines shown in the drawings illustrate portions of the head-lamp and environment that form no part of the claimed design.

1 Claim, 4 Drawing Sheets

- (56) **References Cited**
U.S. PATENT DOCUMENTS
- | | | | | | | |
|-----------|----|---|--------|----------------|-------|---------|
| 5,558,428 | A | * | 9/1996 | Lehrer et al. | | 362/105 |
| 5,800,042 | A | * | 9/1998 | Blank | | 362/105 |
| D405,202 | S | * | 2/1999 | Fattori et al. | | D26/39 |
| D447,587 | S | * | 9/2001 | Poon | | D26/39 |
| 6,736,529 | B1 | * | 5/2004 | Lee | | 362/287 |
| D525,734 | S | * | 7/2006 | Shiao | | D26/39 |

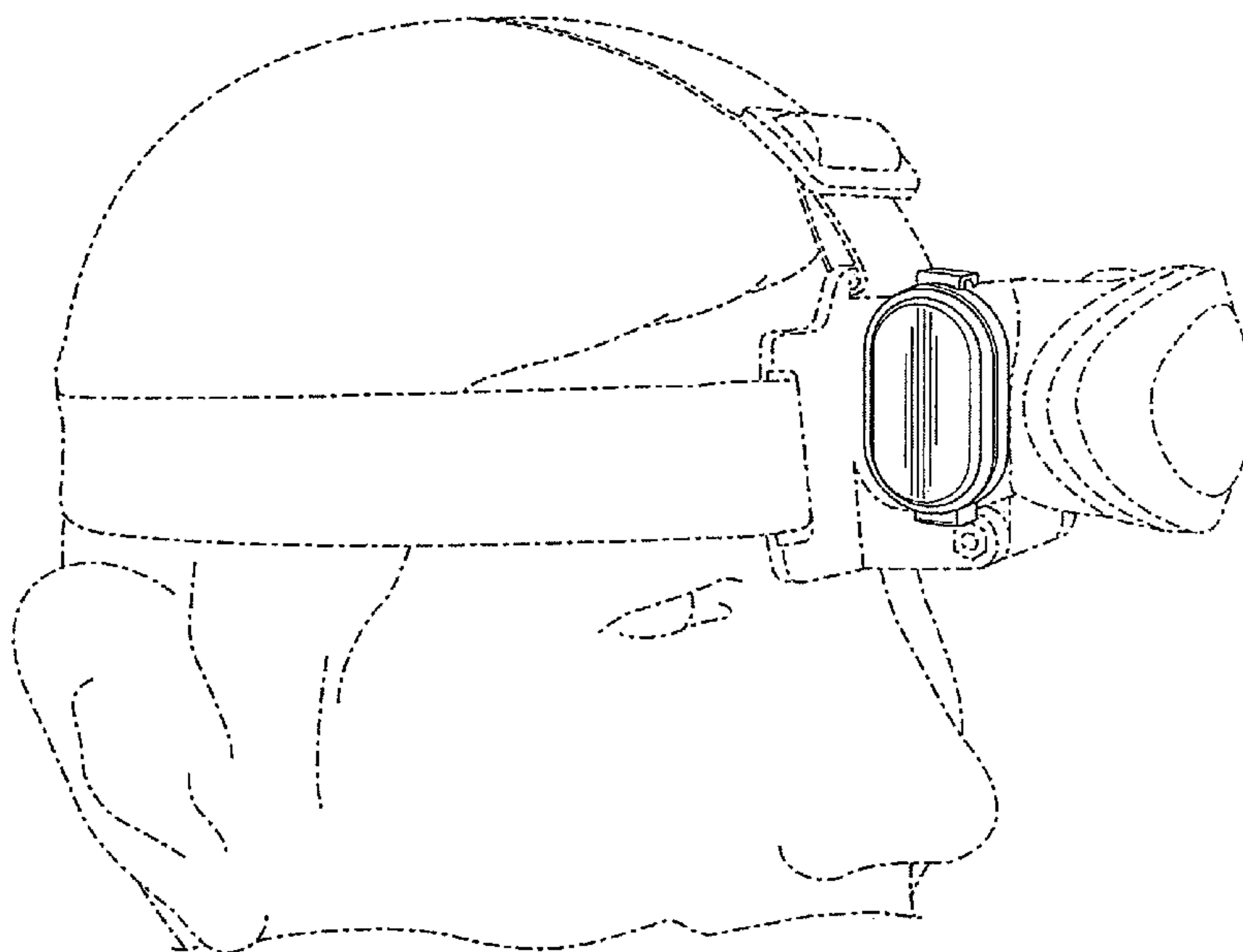


Fig.1

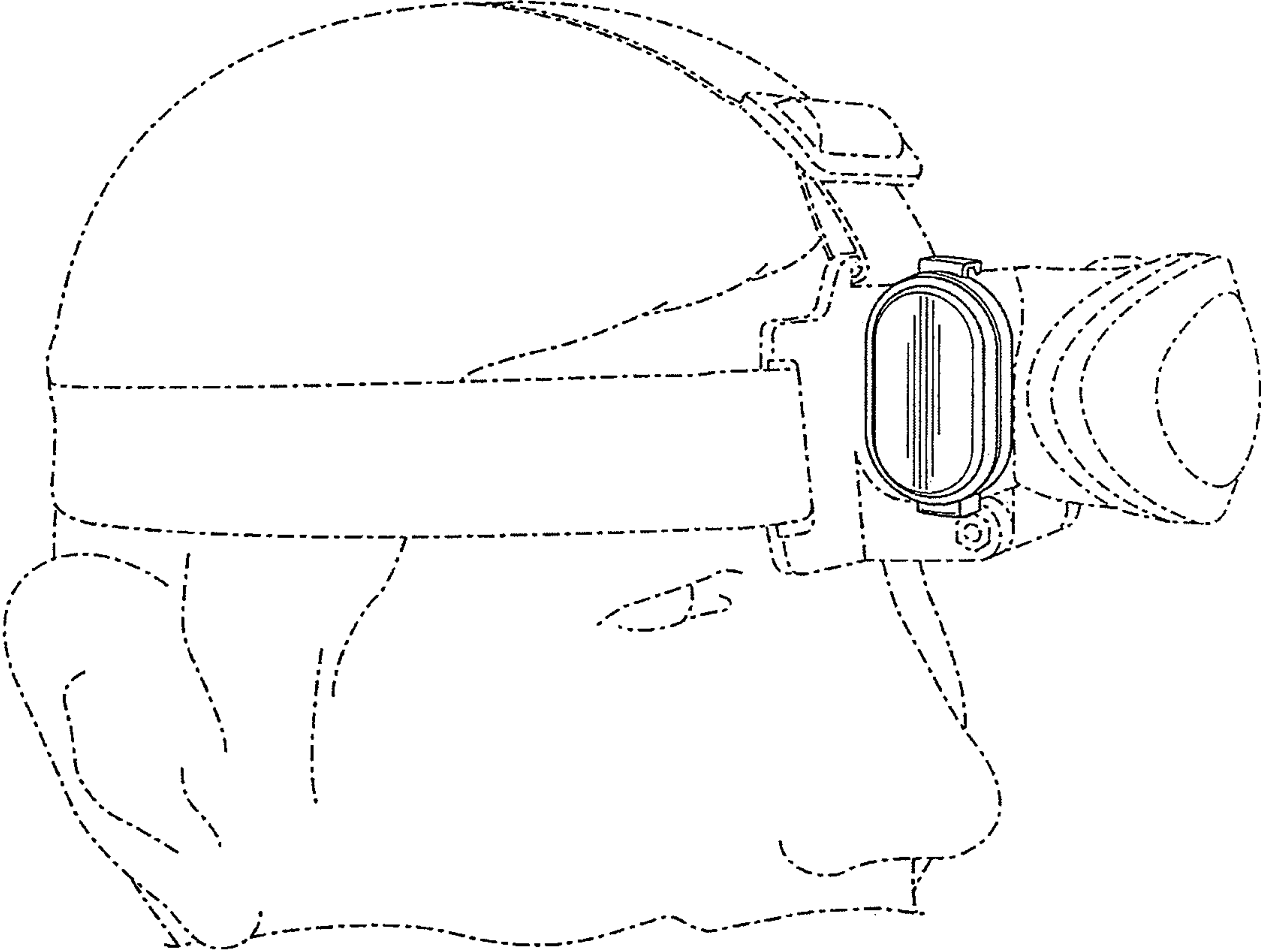


Fig.2

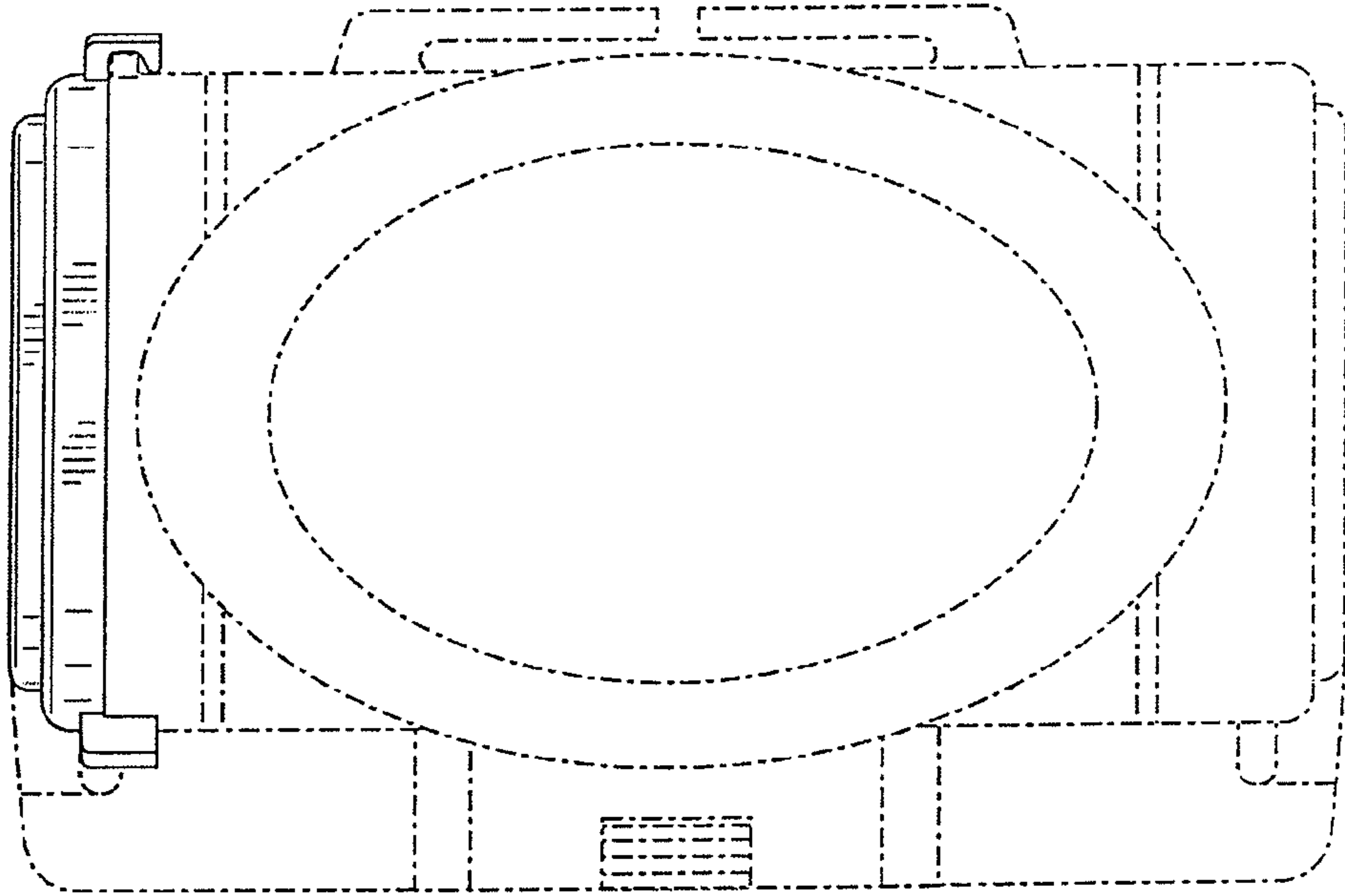


Fig.3

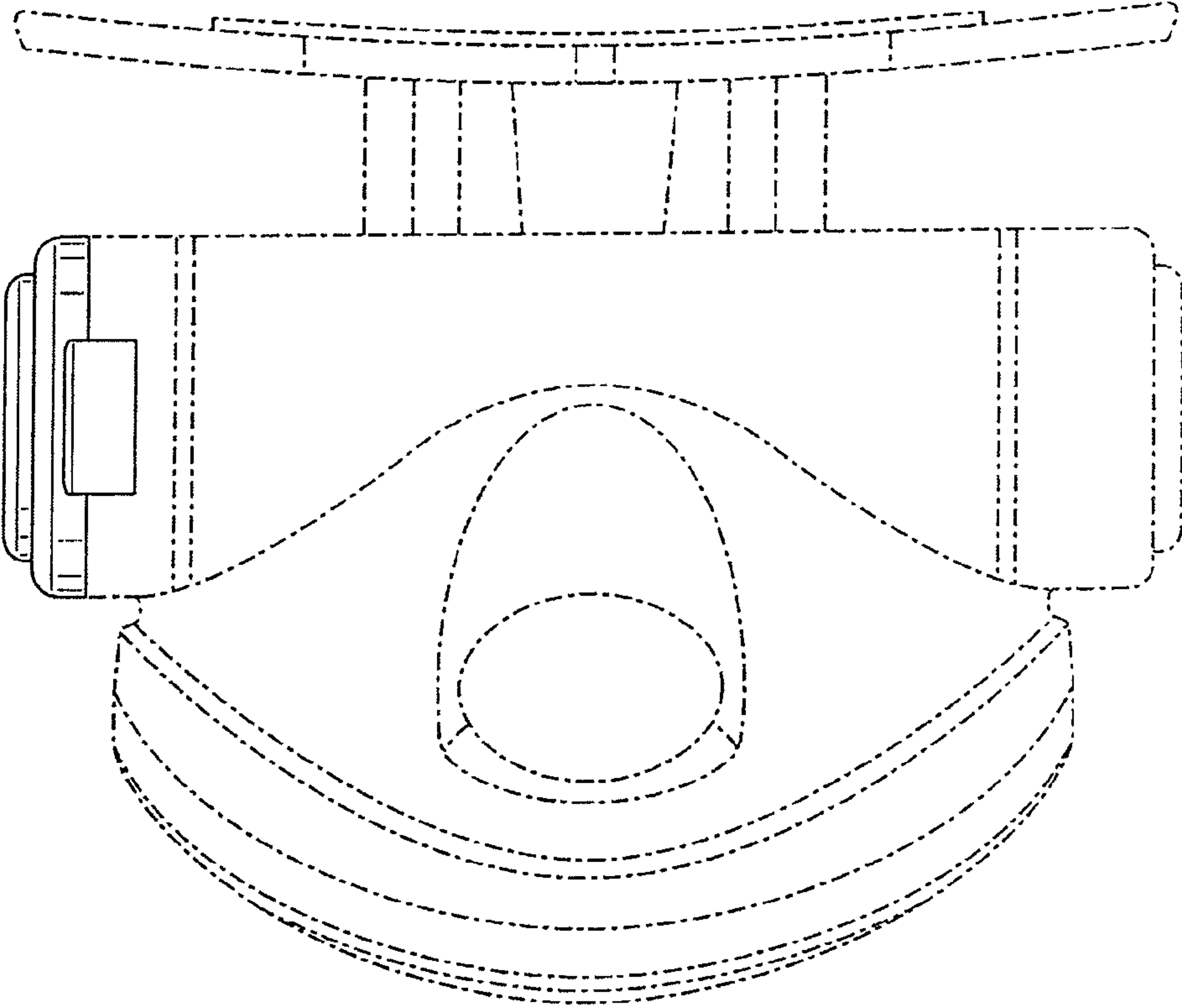


Fig.4

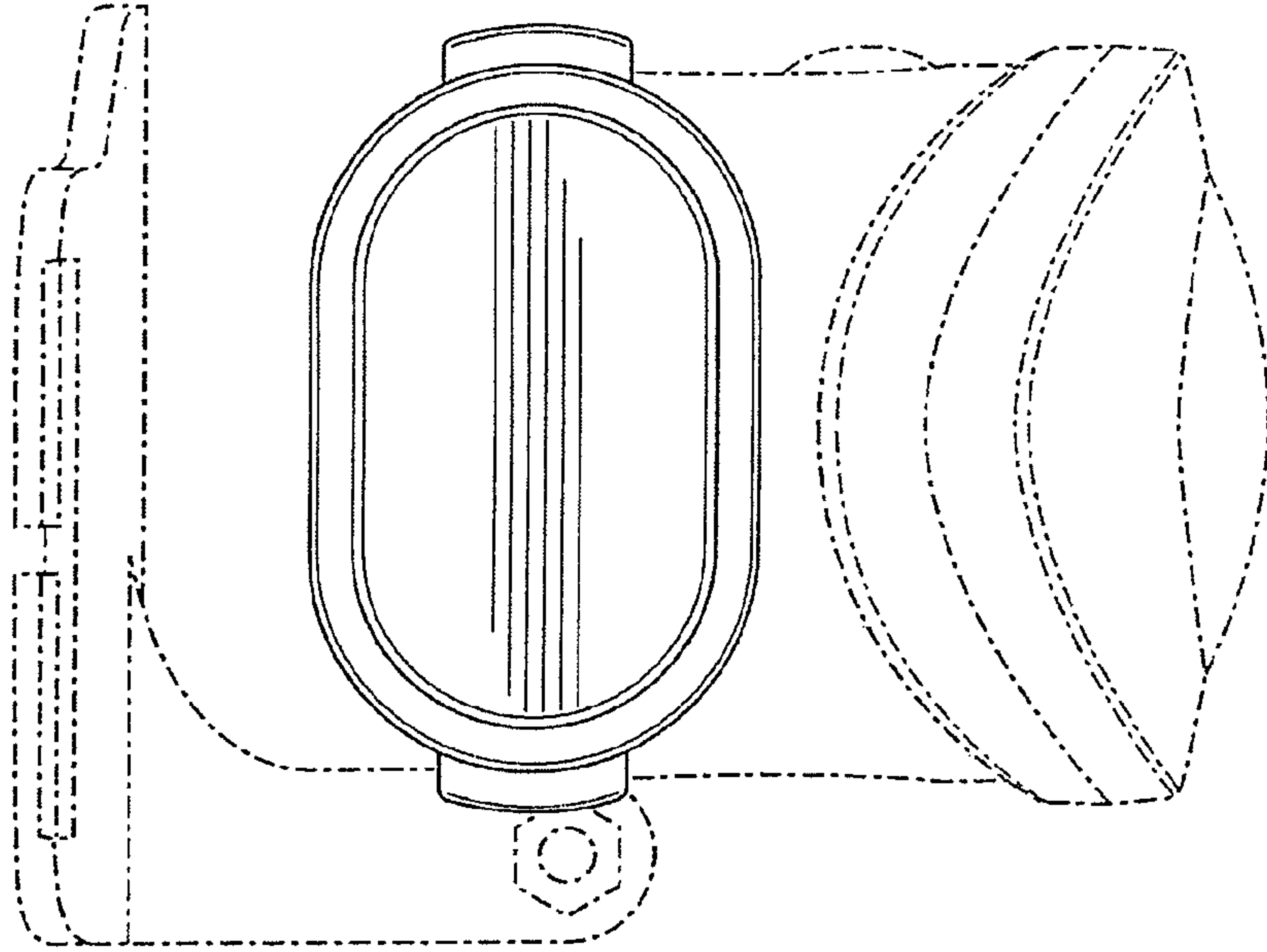


Fig.5

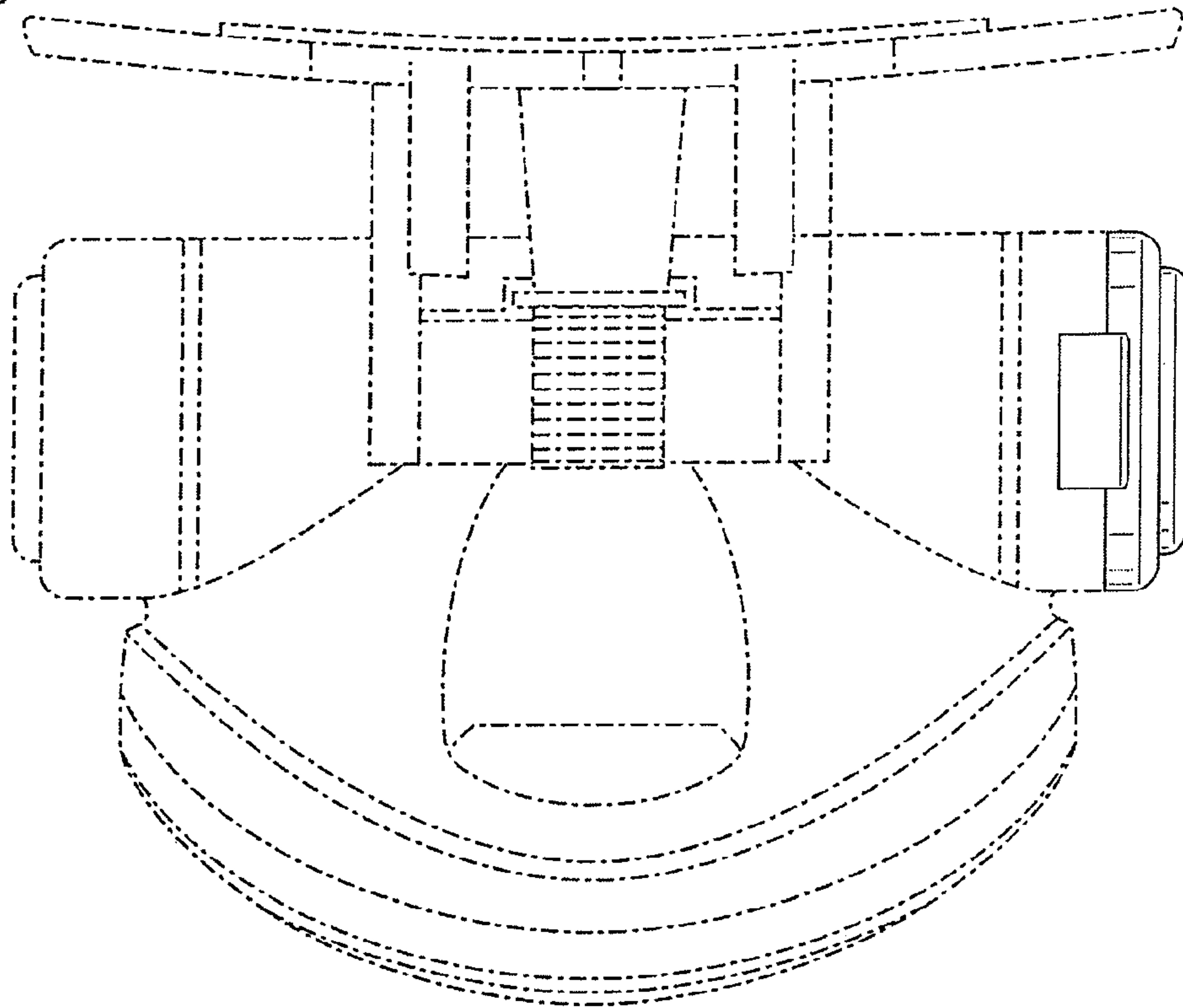


Fig.6

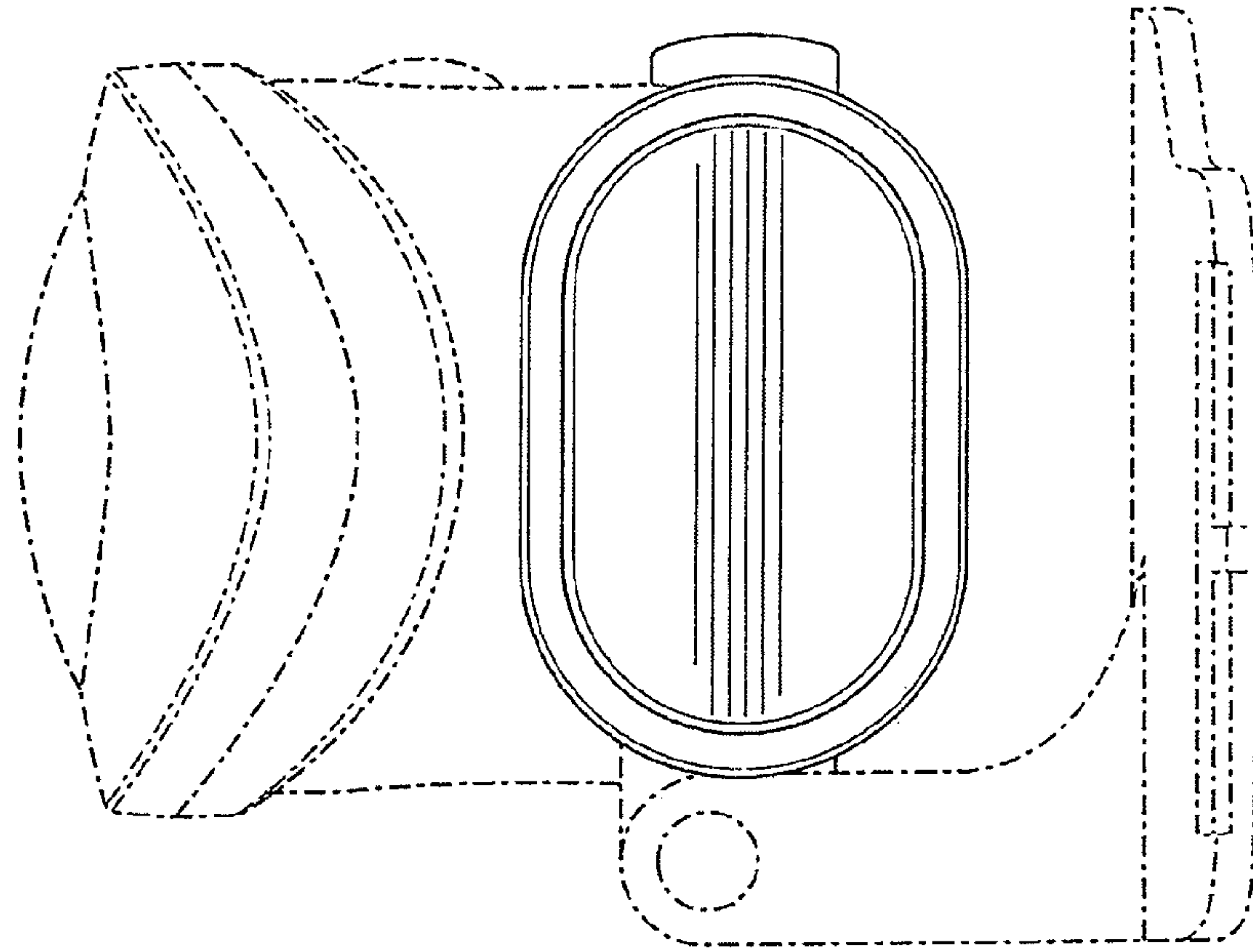


Fig.7

