

US00D695946S

(12) **United States Design Patent**
Duquette et al.

(10) **Patent No.:** **US D695,946 S**

(45) **Date of Patent:** **** Dec. 17, 2013**

(54) **LED FLOOD LIGHT**

(75) Inventors: **Jean-Francois Duquette**, Kirkland (CA); **Michael Fortin**, Sainte-Marthe sur le lac (CA); **Guy Galipeau**, Boisbriand (CA); **Etienne Dansereau**, Montreal (CA); **Jonathan Hardy**, Laval (CA); **Jean-Francois Laporte**, Laval (CA); **Pascal Pavao**, St-Jerome (CA); **Marc-Antoine Vachon**, Montreal (CA)

(73) Assignee: **Koninklijke Philips N.V.**, Eindhoven (NL)

(**) Term: **14 Years**

(21) Appl. No.: **29/428,206**

(22) Filed: **Jul. 27, 2012**

(51) **LOC (9) Cl.** **26-03**

(52) **U.S. Cl.**
USPC **D26/92; D26/63**

(58) **Field of Classification Search**
USPC **D26/63, 67-72, 85, 92; 362/145, 183, 362/231, 240, 249.02, 249.03, 249.04, 362/249.06, 249.16, 373, 311.02, 697, 547, 362/431, 432**

See application file for complete search history.

(56) **References Cited**

U.S. PATENT DOCUMENTS

D195,583 S * 7/1963 Phillips D26/71

D203,065 S *	11/1965	Izzi	D26/71
D577,455 S *	9/2008	Zheng et al.	D26/71
D615,235 S *	5/2010	Zheng	D26/71
D646,420 S *	10/2011	Chen et al.	D26/71
D648,884 S *	11/2011	Tortel	D26/71
D648,885 S *	11/2011	Toratani	D26/71
D654,199 S *	2/2012	Xie	D26/63
D659,871 S *	5/2012	Lee et al.	D26/63
D666,348 S *	8/2012	Wang	D26/71
D672,492 S *	12/2012	Butler et al.	D26/71
D673,318 S *	12/2012	Lane et al.	D26/71
D674,527 S *	1/2013	Du et al.	D26/71
D674,950 S *	1/2013	Lueken et al.	D26/71
D675,768 S *	2/2013	Jurdana et al.	D26/71
D676,175 S *	2/2013	Akinrele et al.	D26/71
D676,176 S *	2/2013	Akinrele et al.	D26/71

* cited by examiner

Primary Examiner — Clare E Heflin

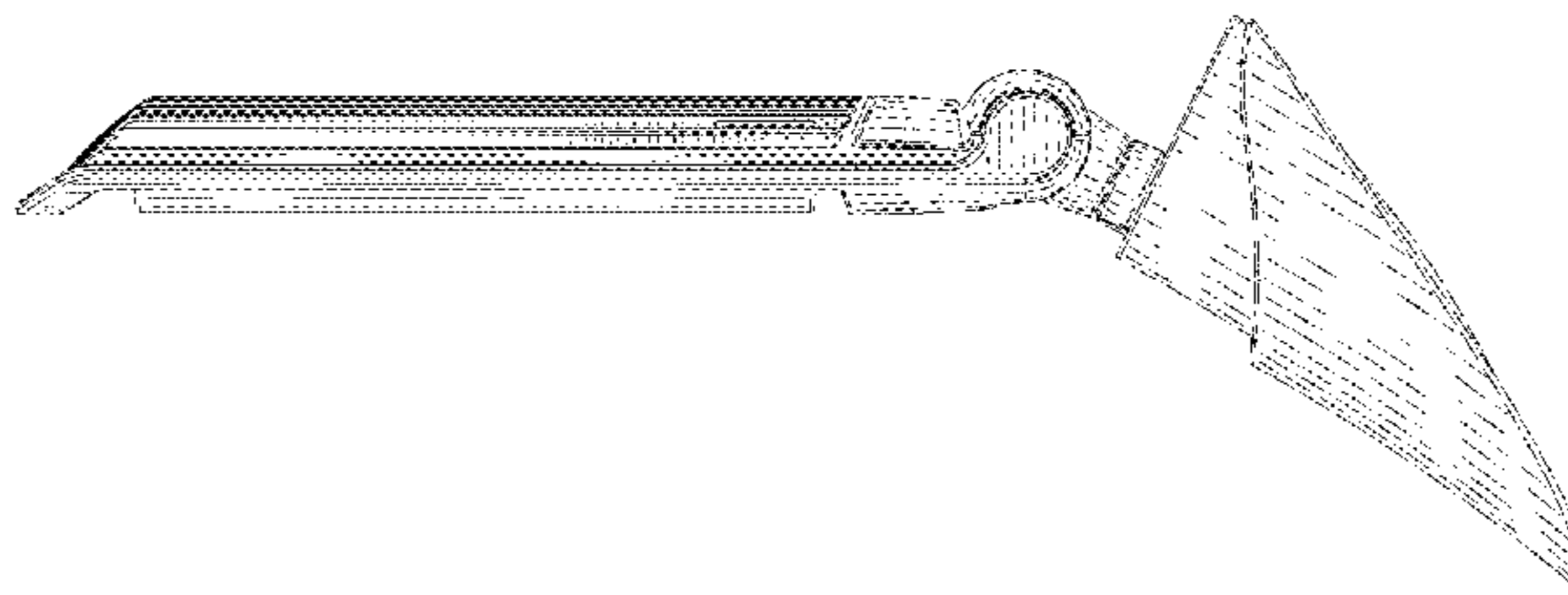
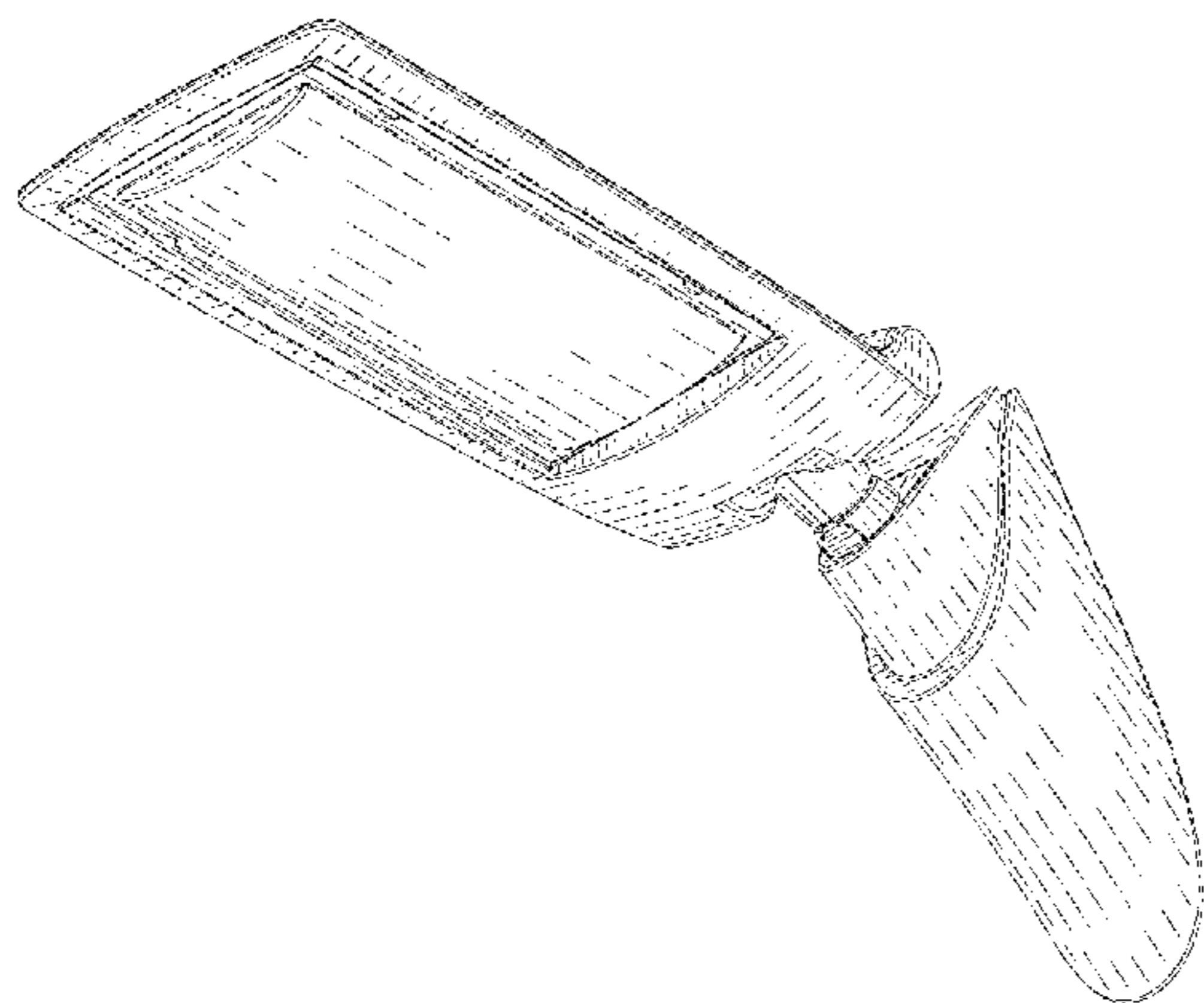
(57) **CLAIM**

The ornamental design for a LED flood light, as shown.

DESCRIPTION

FIG. 1 is a perspective view showing my design;
FIG. 2 is a front elevational view thereof;
FIG. 3 is a rear elevational view thereof;
FIG. 4 is a right side elevational view thereof;
FIG. 5 is a left side elevational view thereof;
FIG. 6 is a top plan view thereof; and,
FIG. 7 is a bottom plan view thereof.

1 Claim, 3 Drawing Sheets



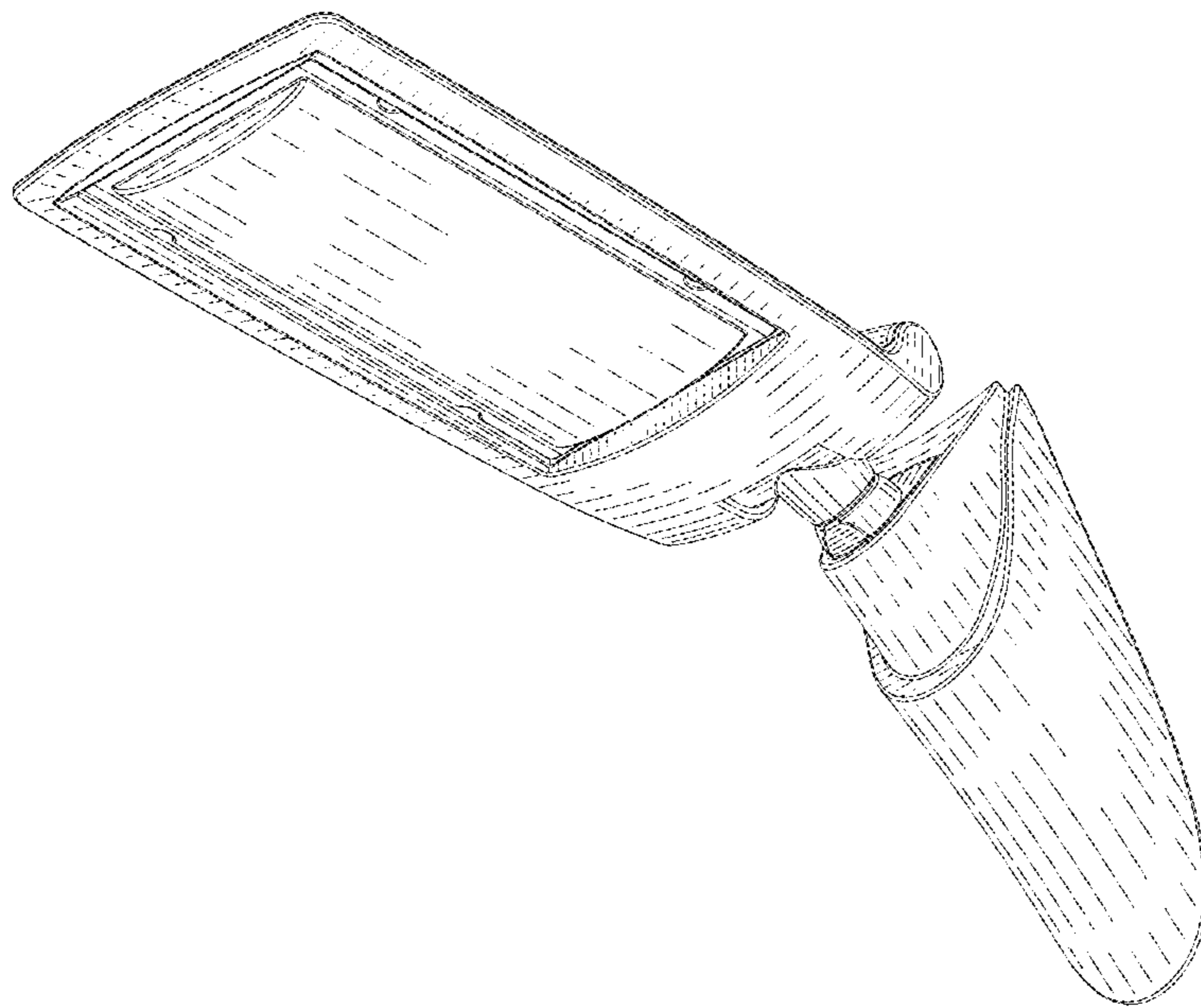


FIG. 1

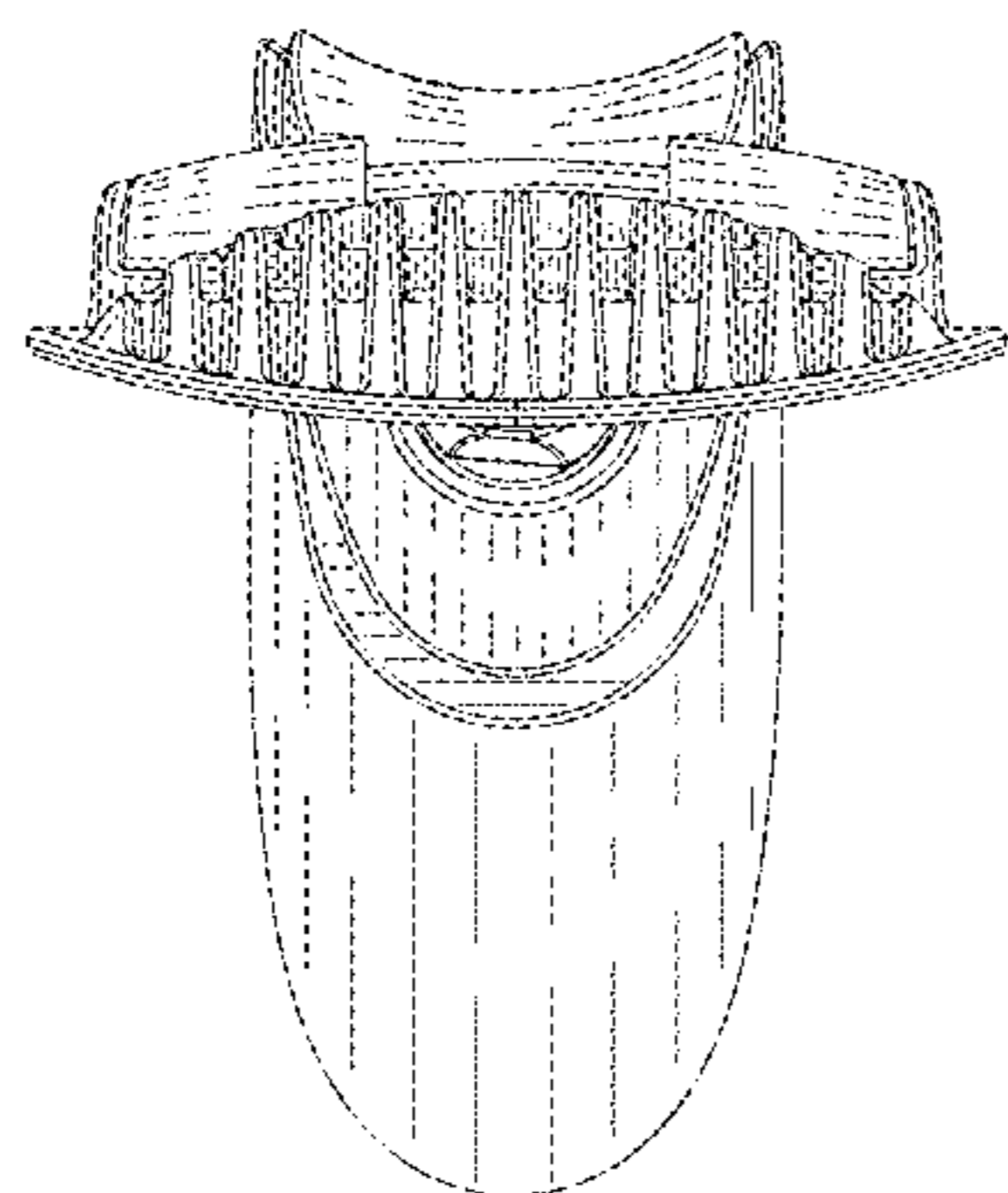


FIG. 2

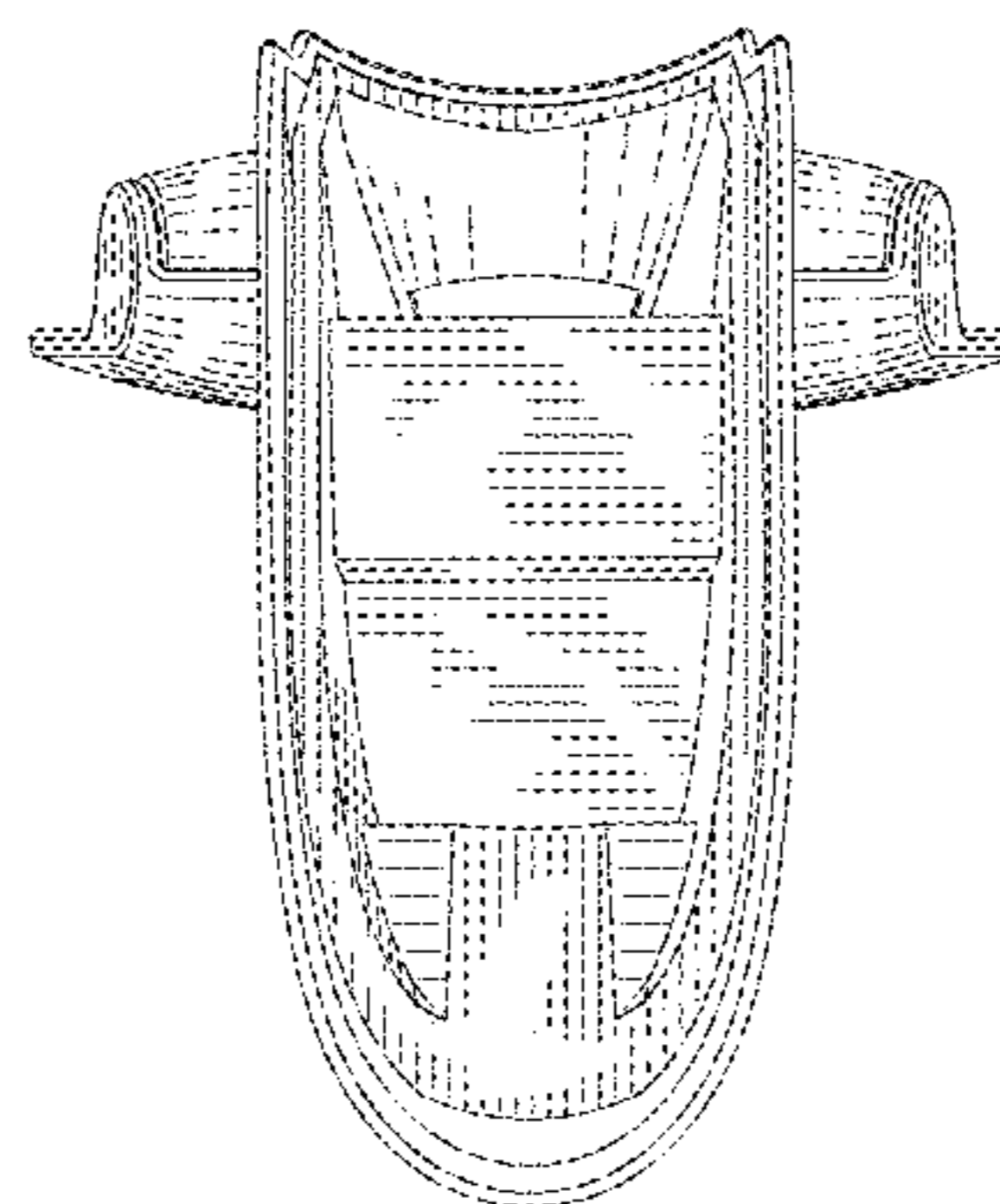


FIG. 3

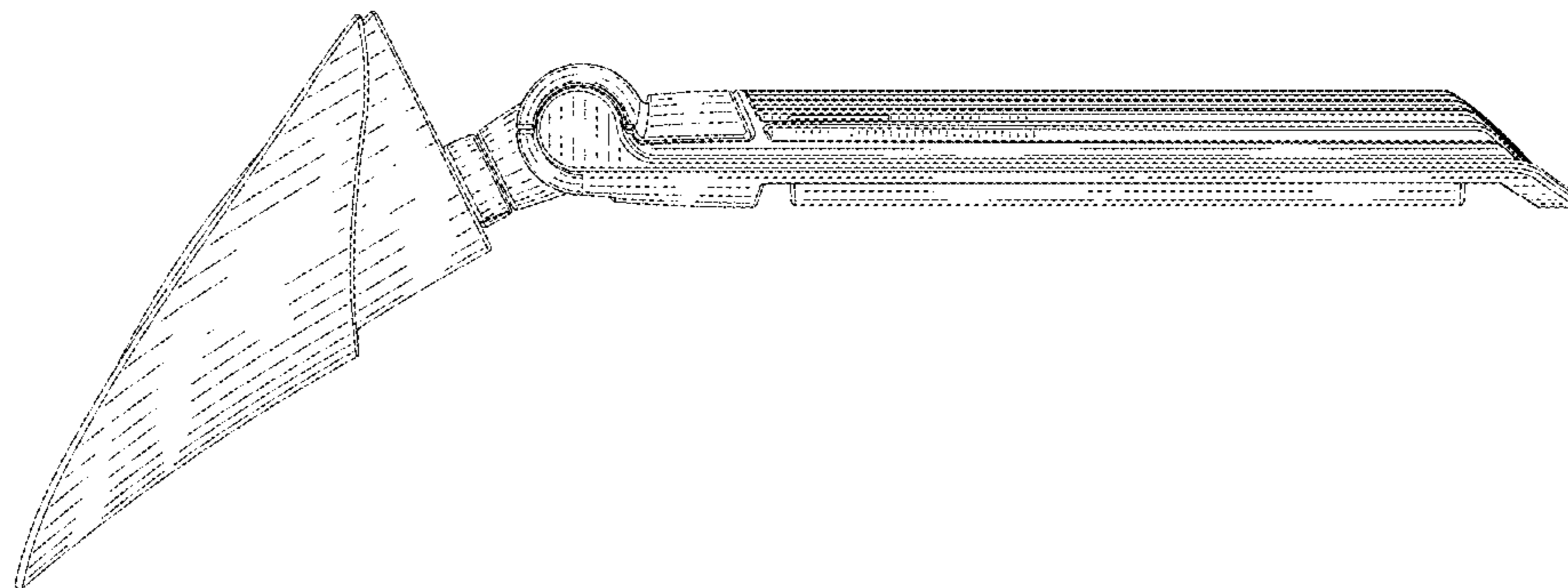


FIG. 4

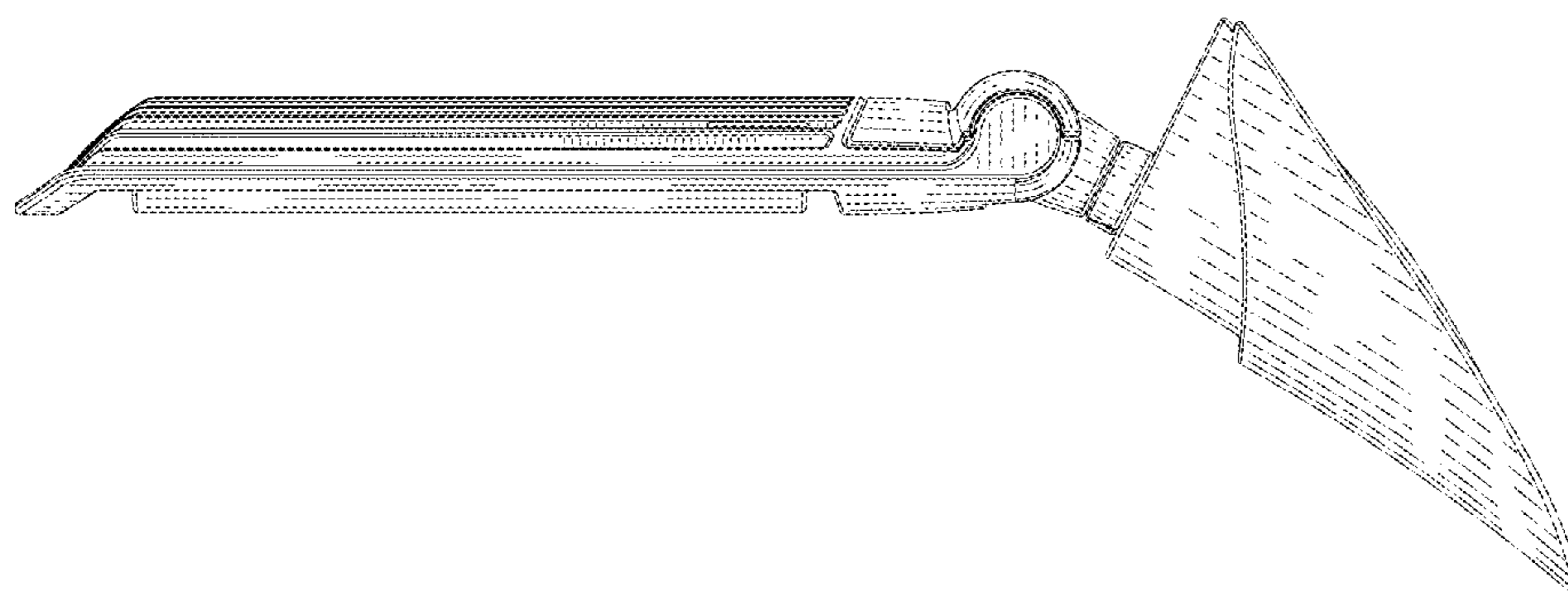


FIG. 5

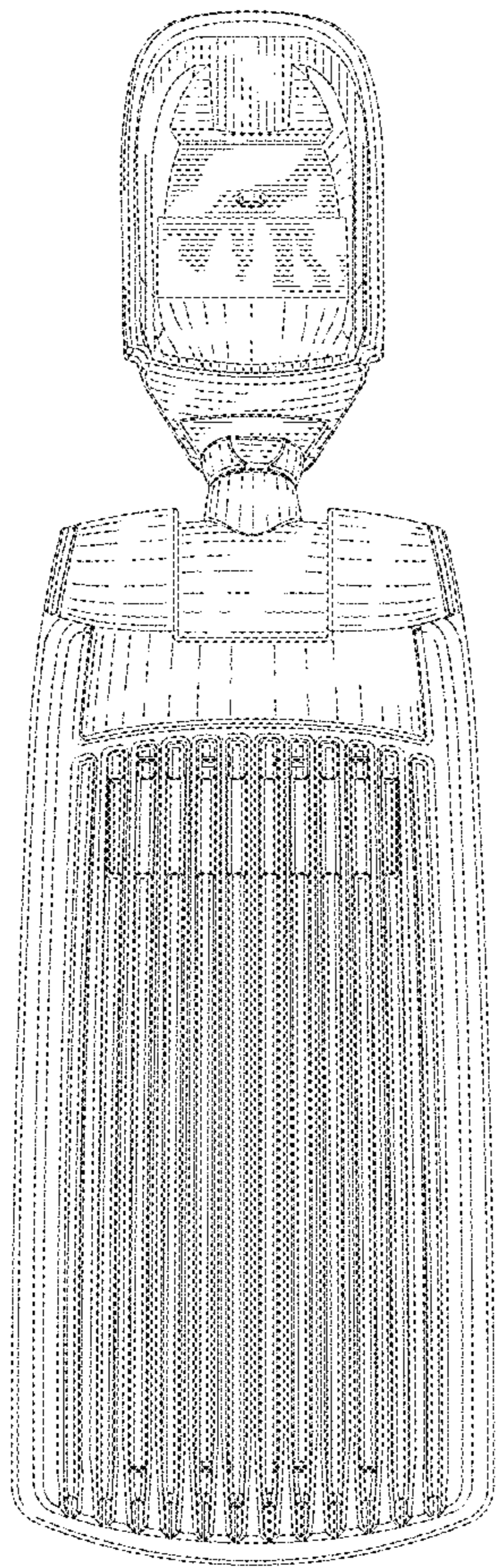


FIG. 6

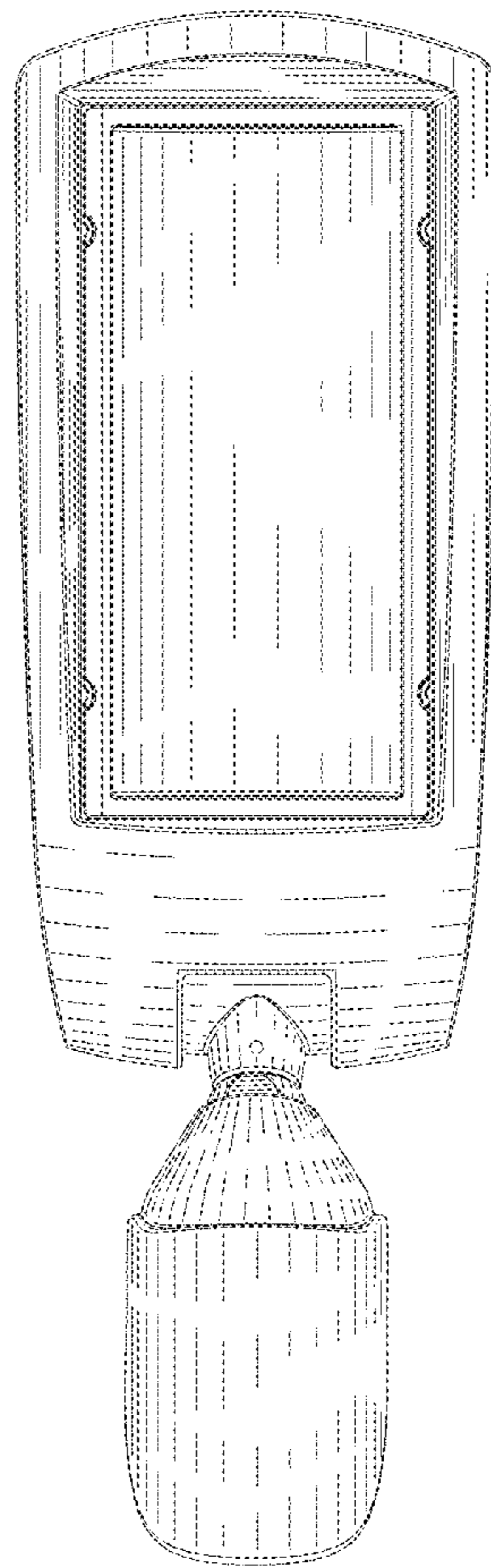


FIG. 7