



US00D695942S

(12) **United States Design Patent**
Ng et al.

(10) **Patent No.:** **US D695,942 S**
(45) **Date of Patent:** **** Dec. 17, 2013**

(54) **LIGHT**

(75) Inventors: **Kenneth Ng**, Alhambra, CA (US);
Edmund Ng, Pasadena, CA (US); **Peter Ng**, Hong Kong (CN)

(73) Assignee: **Koncept Technologies Inc.**, Monrovia, CA (US)

(**) Term: **14 Years**

(21) Appl. No.: **29/410,863**

(22) Filed: **Jan. 12, 2012**

(51) **LOC (9) Cl.** **26-03**

(52) **U.S. Cl.**
USPC **D26/75**

(58) **Field of Classification Search**
USPC D26/1-3, 24, 56, 72, 74-86, 88-91;
D13/180, 182; 362/150,
362/217.01-217.05, 217.08, 217.09, 260,
362/364, 365, 366, 404, 555, 576, 800
See application file for complete search history.

(56) **References Cited**

U.S. PATENT DOCUMENTS

D476,753 S * 7/2003 Chelf et al. D26/3
D547,898 S * 7/2007 Tseng D26/78

D556,359 S * 11/2007 Cunius D26/76
D592,349 S * 5/2009 Maxik et al. D26/76
D617,488 S * 6/2010 Cho D26/76
D663,065 S * 7/2012 Beghelli D26/76

* cited by examiner

Primary Examiner — Zenia Bennett

(74) *Attorney, Agent, or Firm* — Foley & Lardner LLP

(57) **CLAIM**

The ornamental design for a light, as shown.

DESCRIPTION

FIG. 1 is a perspective view of a light showing our new design;

FIG. 2 is a top view thereof;

FIG. 3 is a bottom view thereof;

FIG. 4. is a left side view thereof;

FIG. 5 is a right side view thereof;

FIG. 6 is a front view thereof; and,

FIG. 7 is a back view thereof.

Elements of the light have been broken away in all figures of the drawing to indicate that no particular length is claimed. Elements drawn in broken lines are understood to be for illustrative purposes only and form no part of the claimed design.

1 Claim, 4 Drawing Sheets



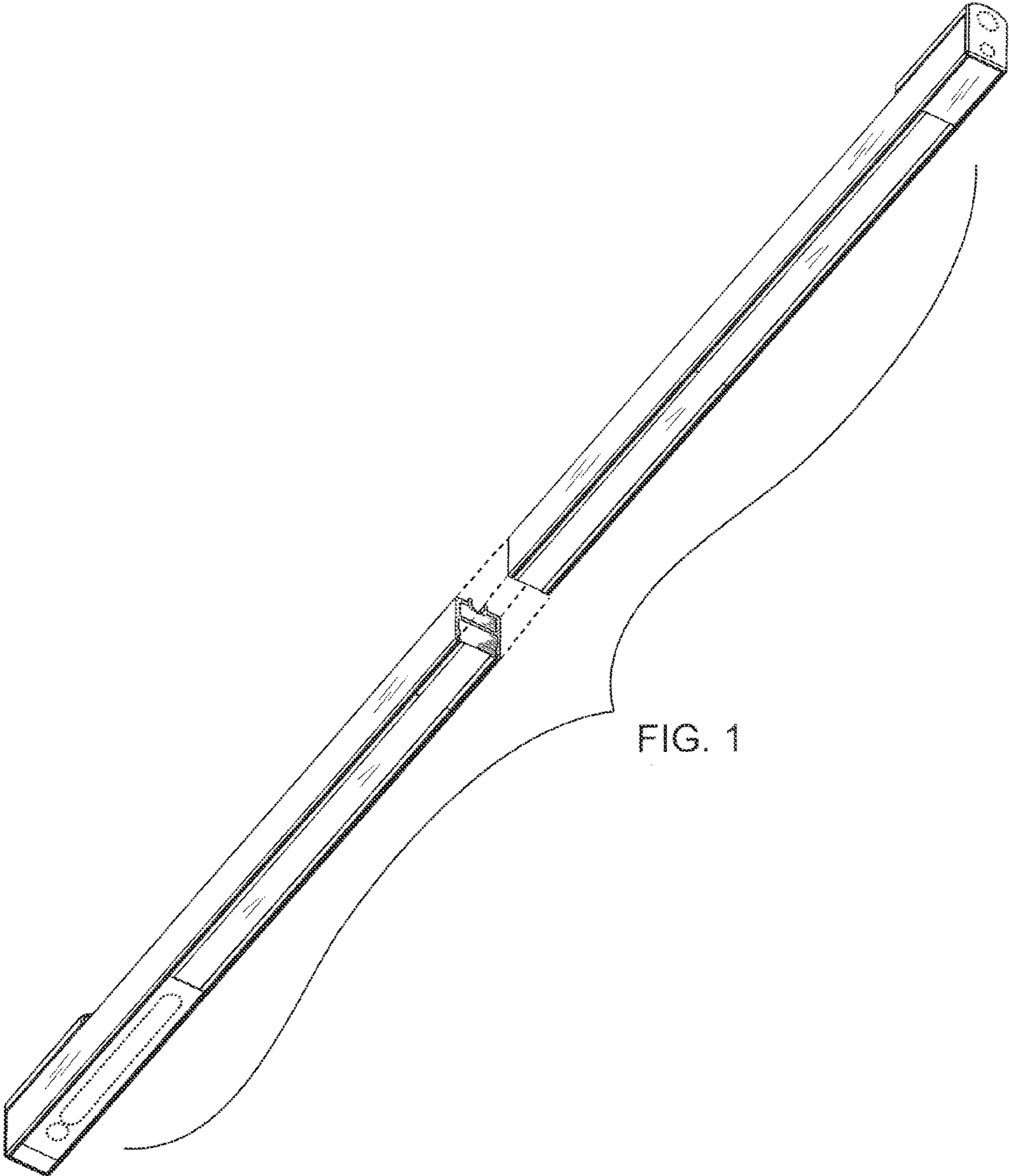


FIG. 1

FIG. 2

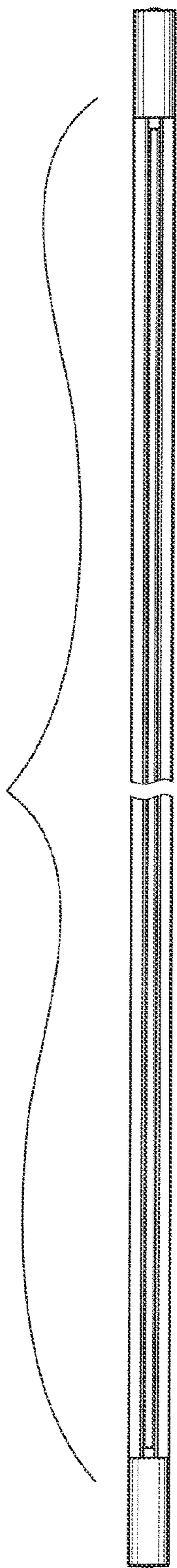
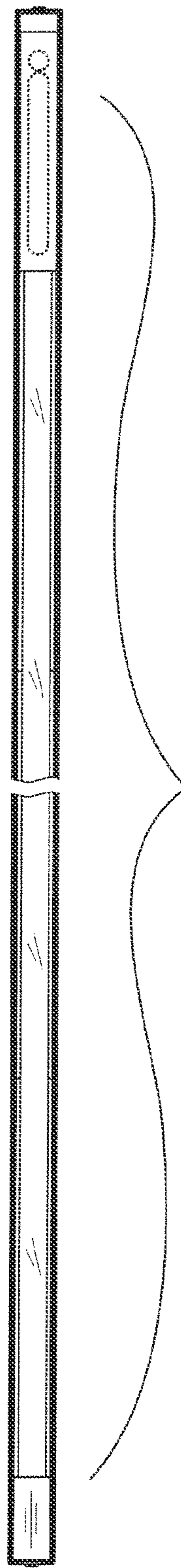


FIG. 3



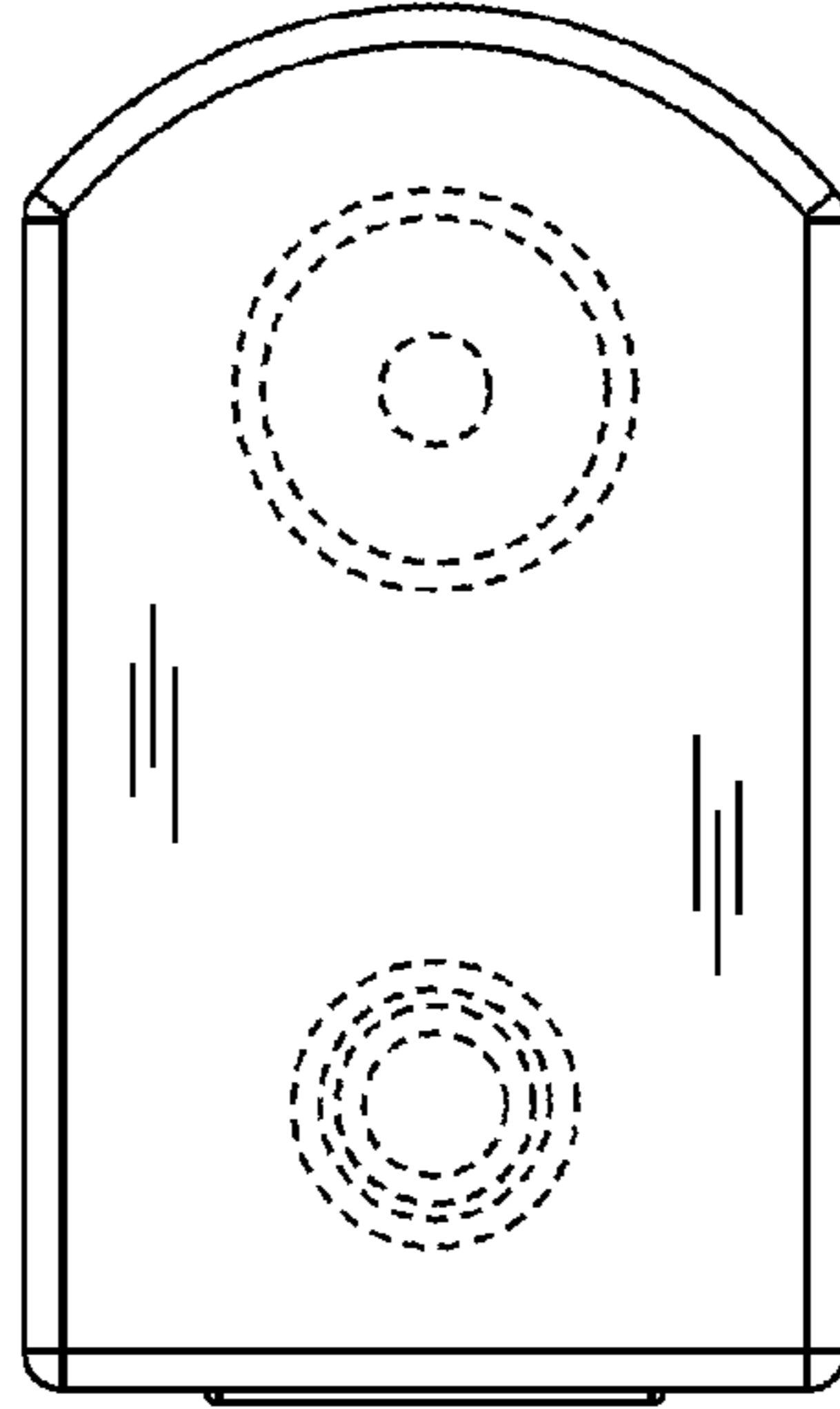


FIG. 4

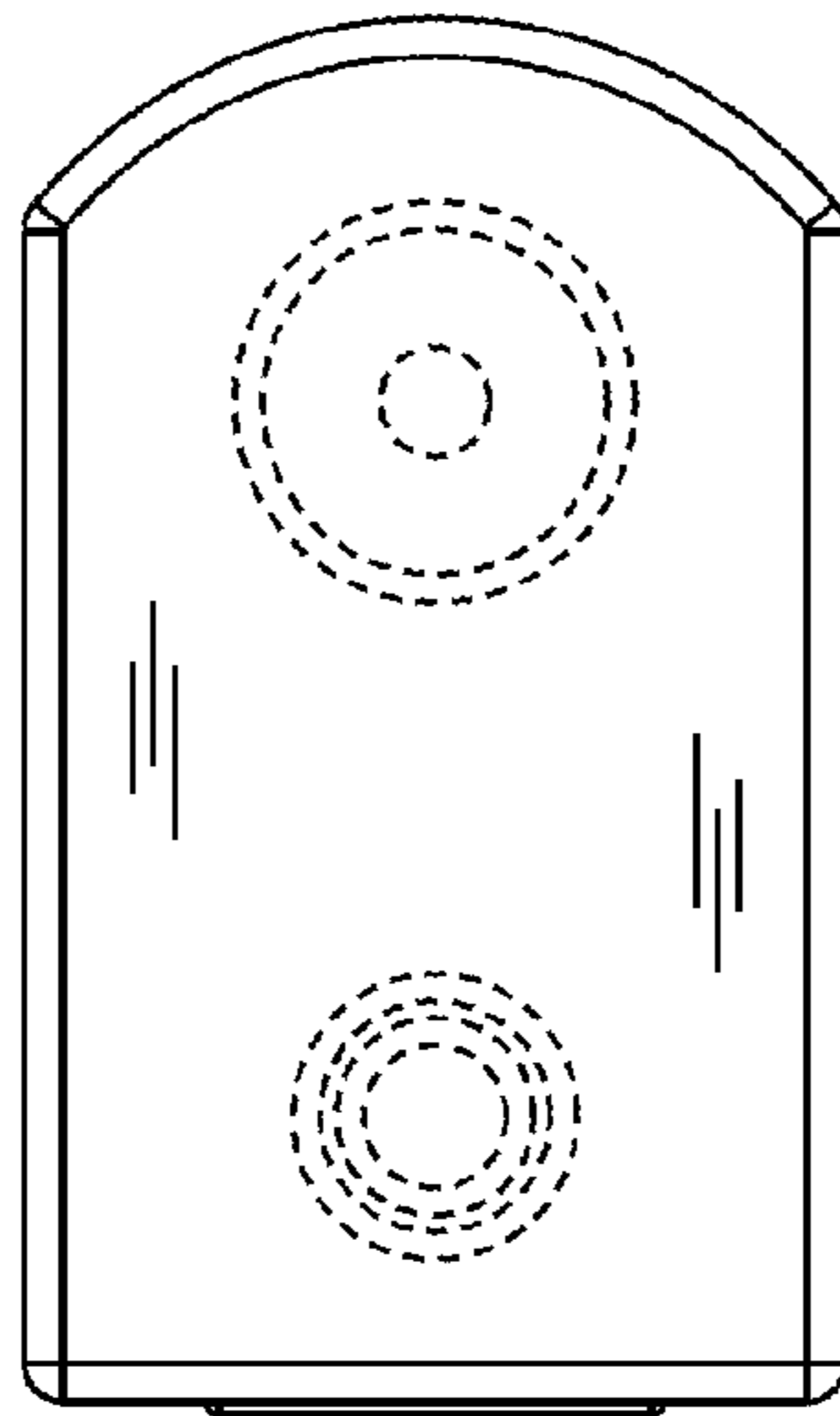


FIG. 5

