



US00D695941S

(12) **United States Design Patent**  
**Rashidi**

(10) **Patent No.:** **US D695,941 S**

(45) **Date of Patent:** **\*\* \*Dec. 17, 2013**

(54) **RECESSED LIGHTING FIXTURE WITH HEAT SINK INCORPORATING FRICTION FIT FRICTION BLADES WITH REFLECTOR TRIM**

(76) Inventor: **Hamid Rashidi**, Commerce, CA (US)

(\* ) Notice: This patent is subject to a terminal disclaimer.

(\*\*) Term: **14 Years**

(21) Appl. No.: **29/407,666**

(22) Filed: **Nov. 30, 2011**

(51) **LOC (9) Cl.** ..... **26-05**

(52) **U.S. Cl.**  
USPC ..... **D26/74**

(58) **Field of Classification Search**  
USPC ..... D26/24, 72, 80, 81, 83, 85, 88, 89, 91,  
D26/113, 118, 123, 124, 138, 74, 76;  
362/145, 146, 147, 148, 150, 153, 294,  
362/296.01, 296.07, 296.08, 311.07,  
362/311.09, 311.1, 345, 364, 365, 366, 373  
See application file for complete search history.

(56) **References Cited**

**U.S. PATENT DOCUMENTS**

D326,537 S *	5/1992	Gattari	.....	D26/74
D326,729 S *	6/1992	Gattari	.....	D26/74
D591,894 S *	5/2009	Flank	.....	D26/74
D610,290 S *	2/2010	Yoshinobu et al.	.....	D26/74

D656,262 S *	3/2012	Yoshinobu et al.	.....	D26/74
D658,802 S *	5/2012	Chen	.....	D26/74
D663,466 S *	7/2012	Rashidi	.....	D26/74
D667,155 S *	9/2012	Rashidi	.....	D26/74
8,262,255 B1 *	9/2012	Rashidi	.....	362/249.02
D668,809 S *	10/2012	Rashidi	.....	D26/74
2009/0129086 A1 *	5/2009	Thompson, III	.....	362/249.02
2010/0128491 A1 *	5/2010	Hashimoto et al.	.....	362/365
2011/0222291 A1 *	9/2011	Peng	.....	362/294

\* cited by examiner

*Primary Examiner* — Angela J Lee

(74) *Attorney, Agent, or Firm* — Thomas I. Rozsa

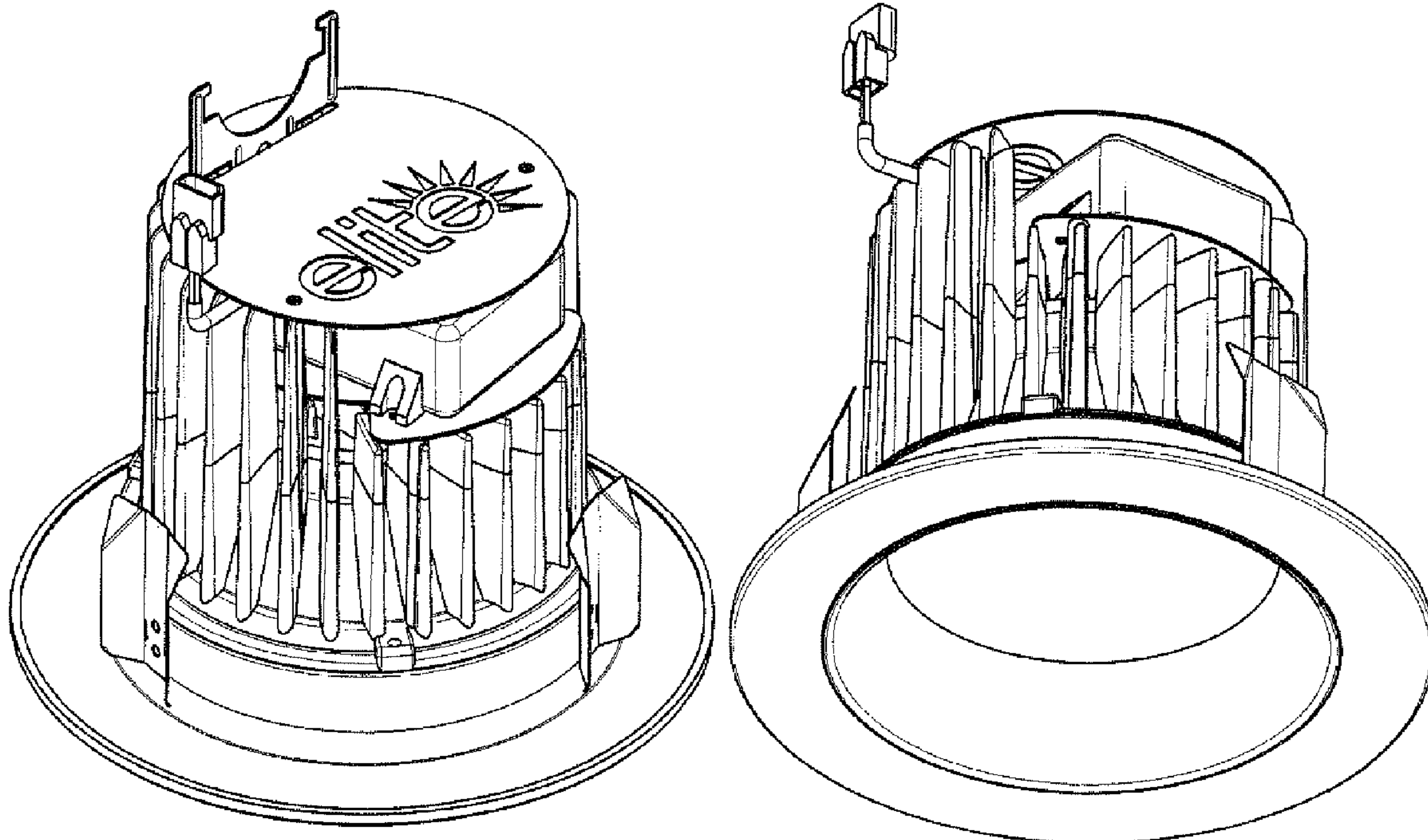
(57) **CLAIM**

The ornamental design for a recessed lighting fixture with heat sink incorporating friction fit friction blades with reflector trim, as shown and described.

**DESCRIPTION**

FIG. 1 is a perspective view of the recessed lighting fixture with heat sink incorporating friction fit friction blades with reflector trim, showing my design;  
FIG. 2 is a perspective view when viewed from the bottom at an upwardly extending angle;  
FIG. 3 is a left side elevational view thereof;  
FIG. 4 is a right side elevational view thereof;  
FIG. 5 is a front elevational view thereof;  
FIG. 6 is a rear elevational view thereof;  
FIG. 7 is a top plan view thereof; and,  
FIG. 8 is a bottom plan view thereof.

**1 Claim, 8 Drawing Sheets**



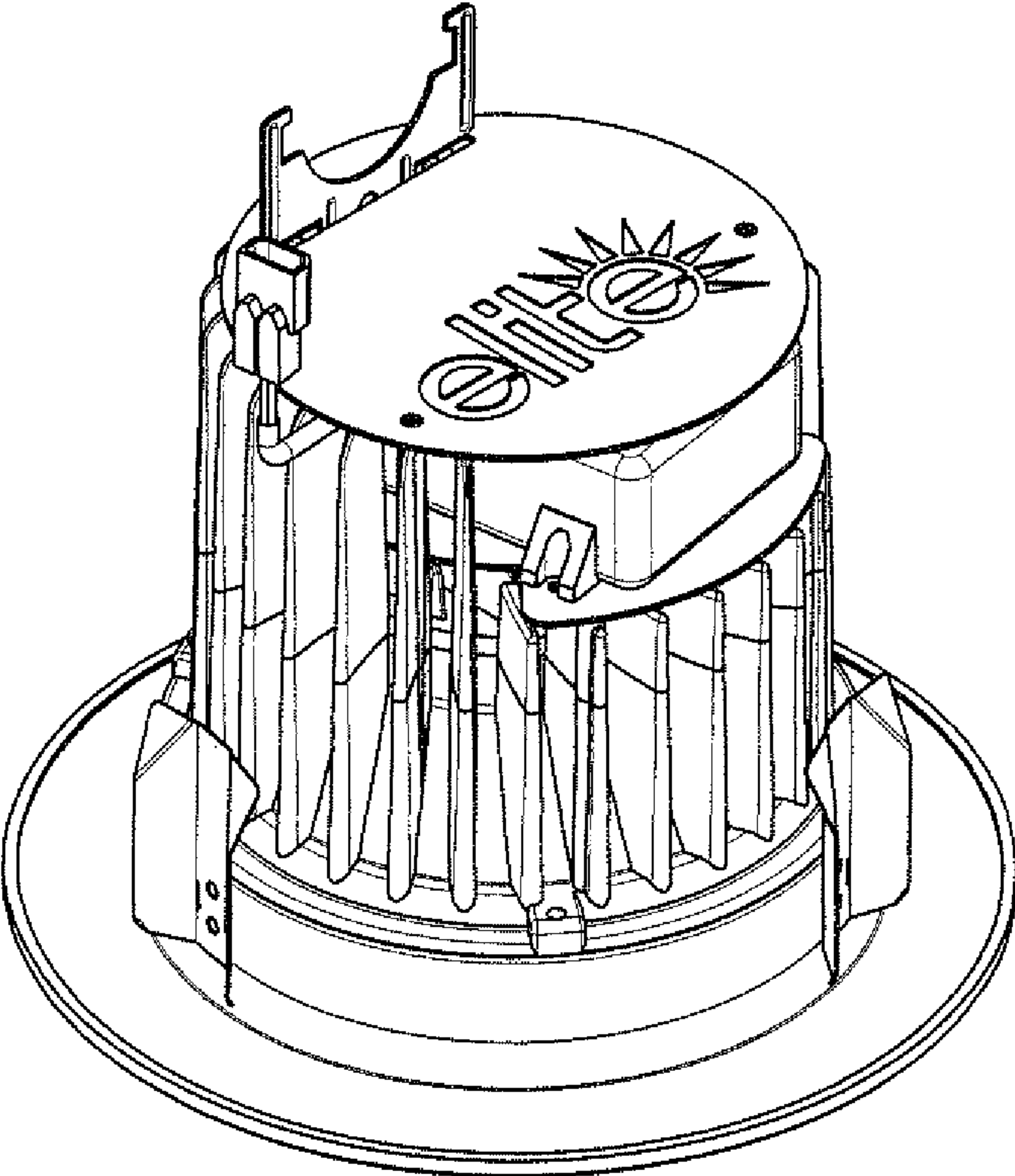


FIG. 1

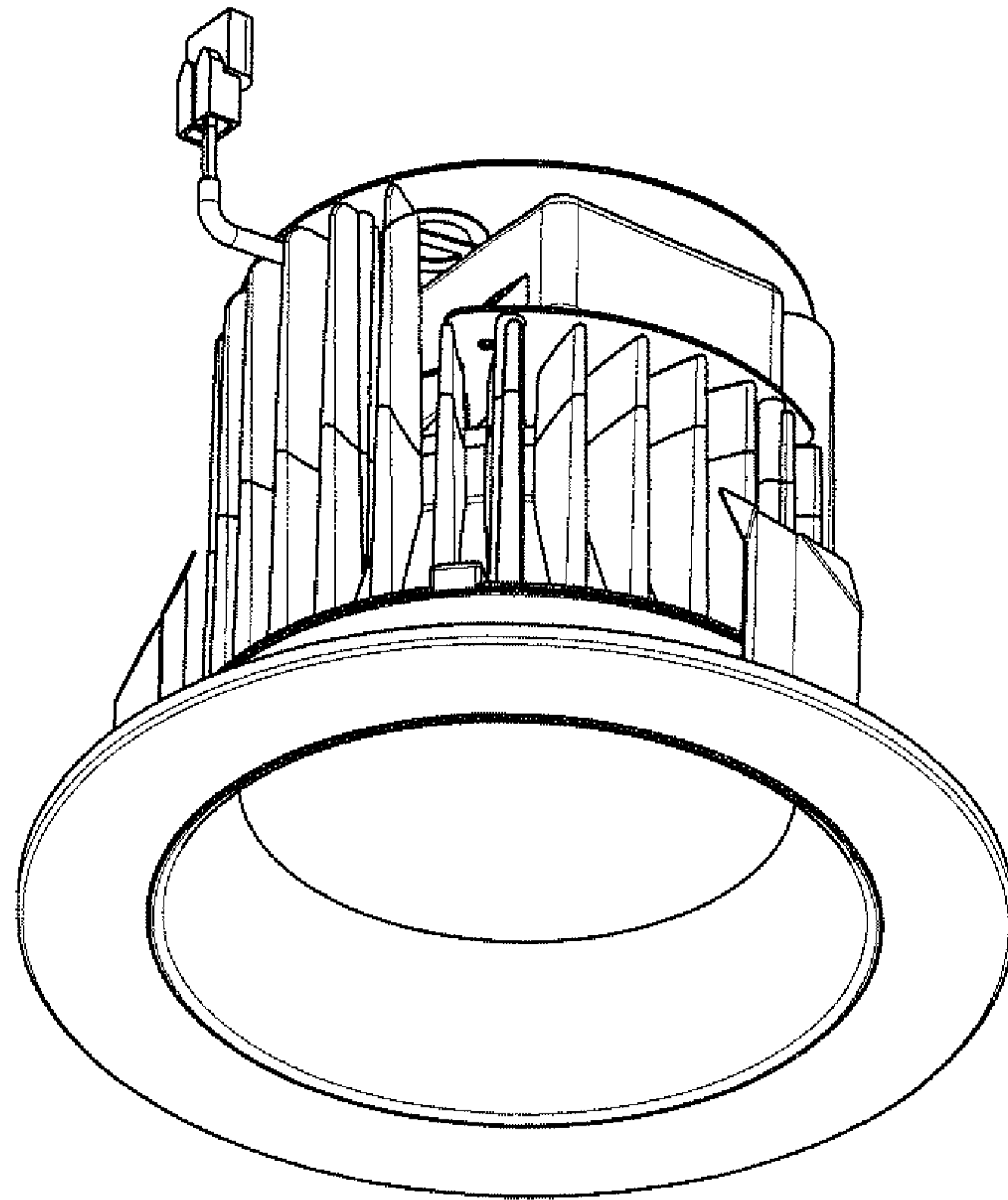


FIG. 2

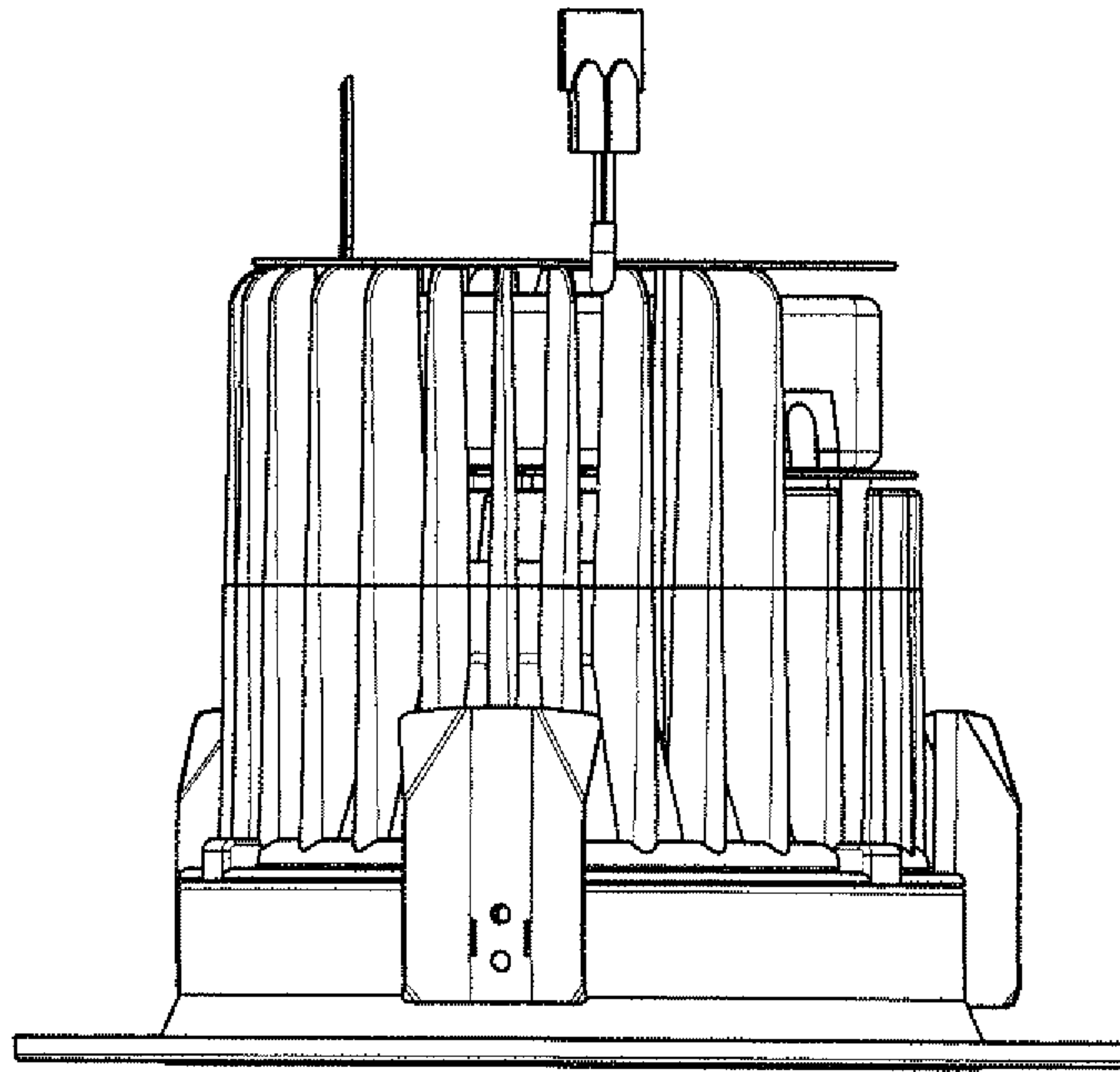


FIG. 3

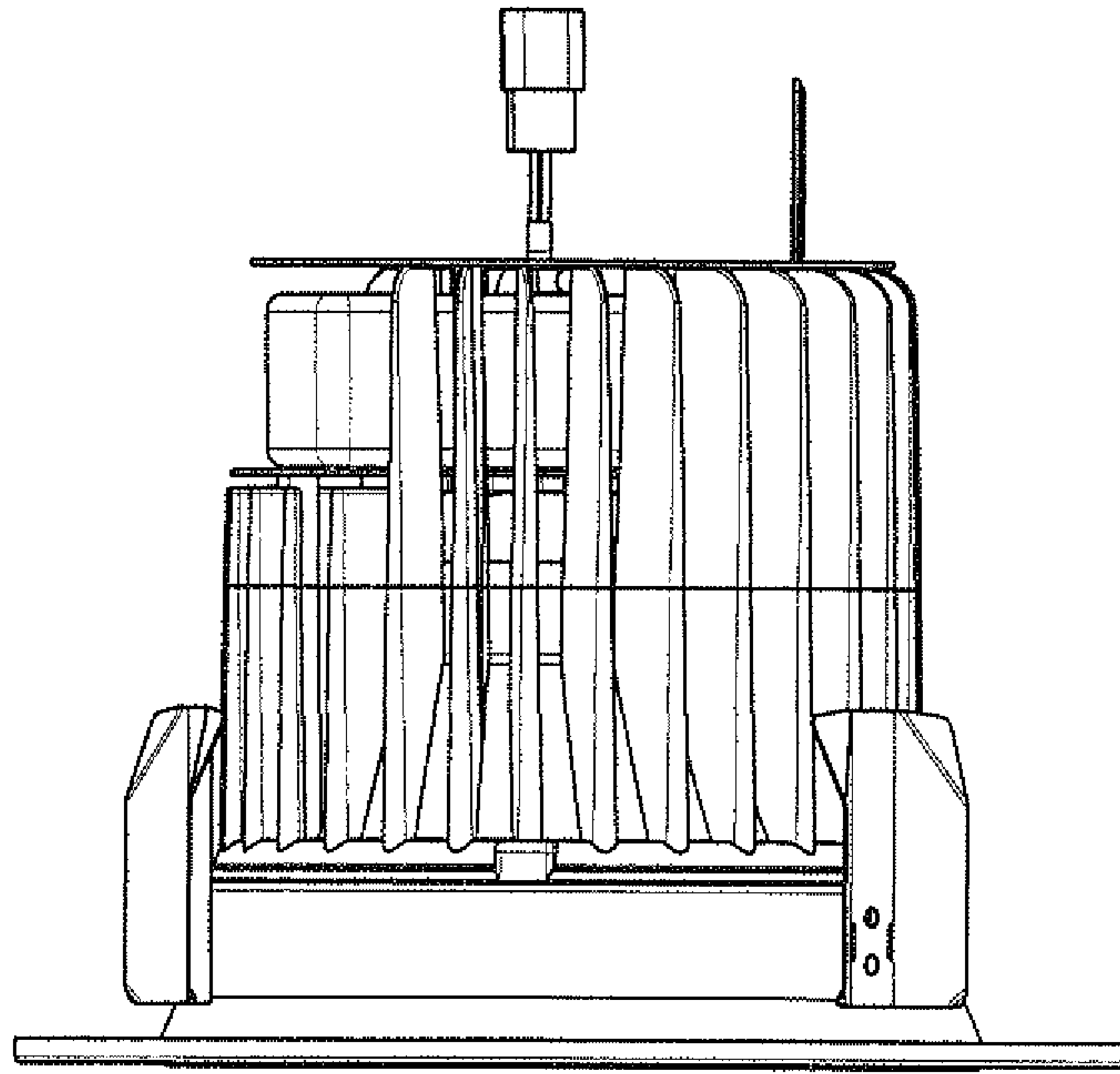


FIG. 4

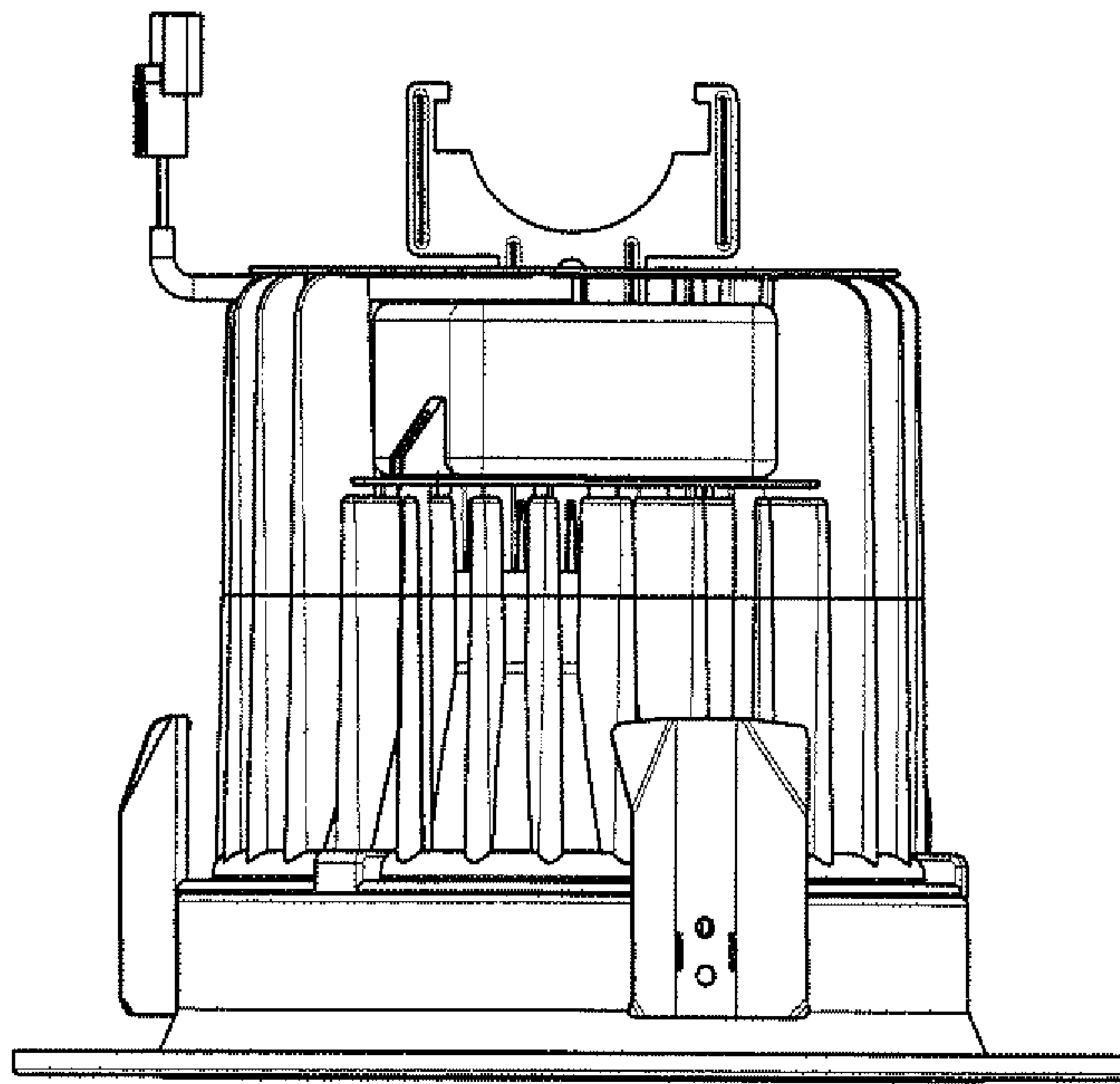


FIG. 5



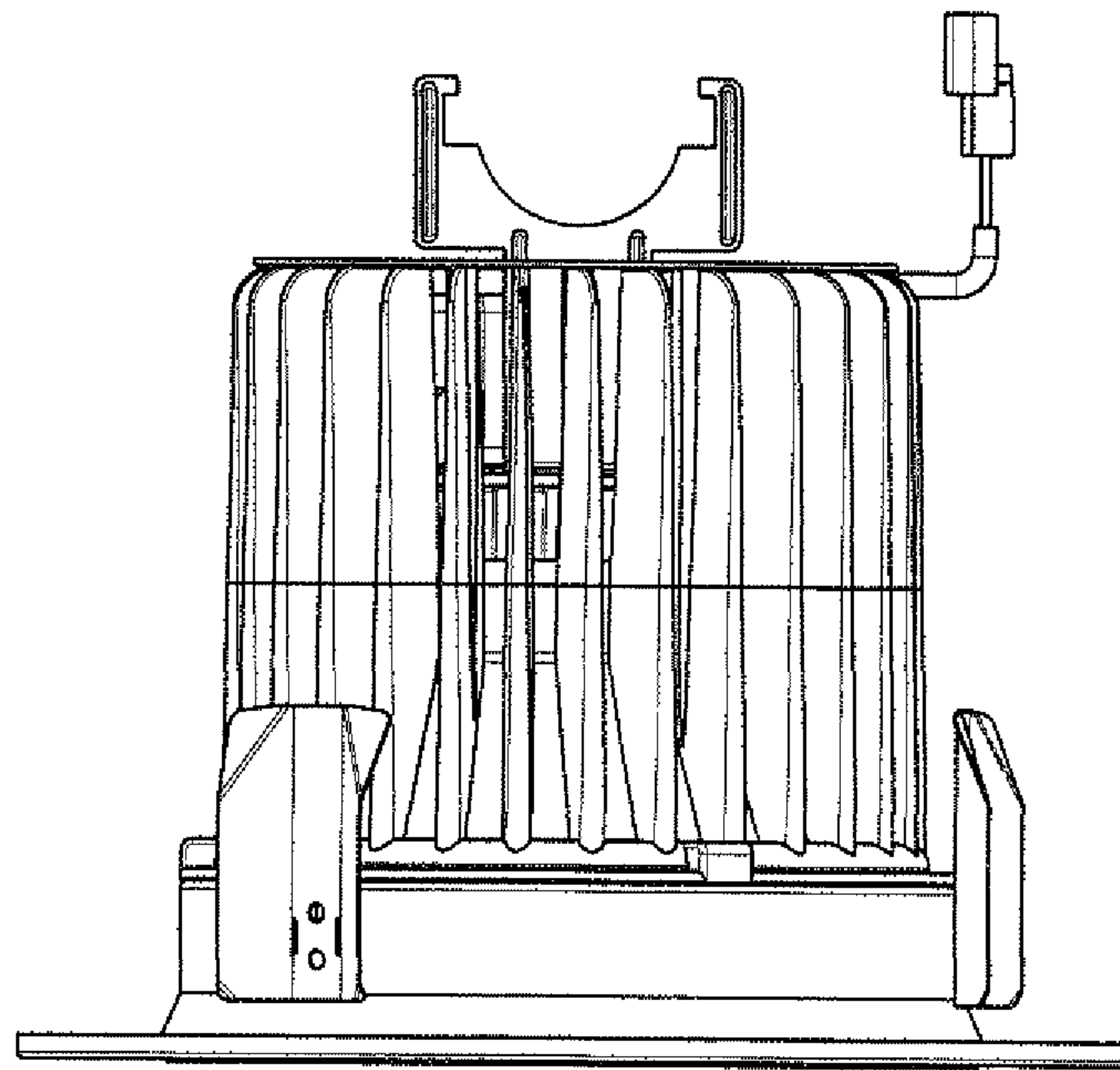
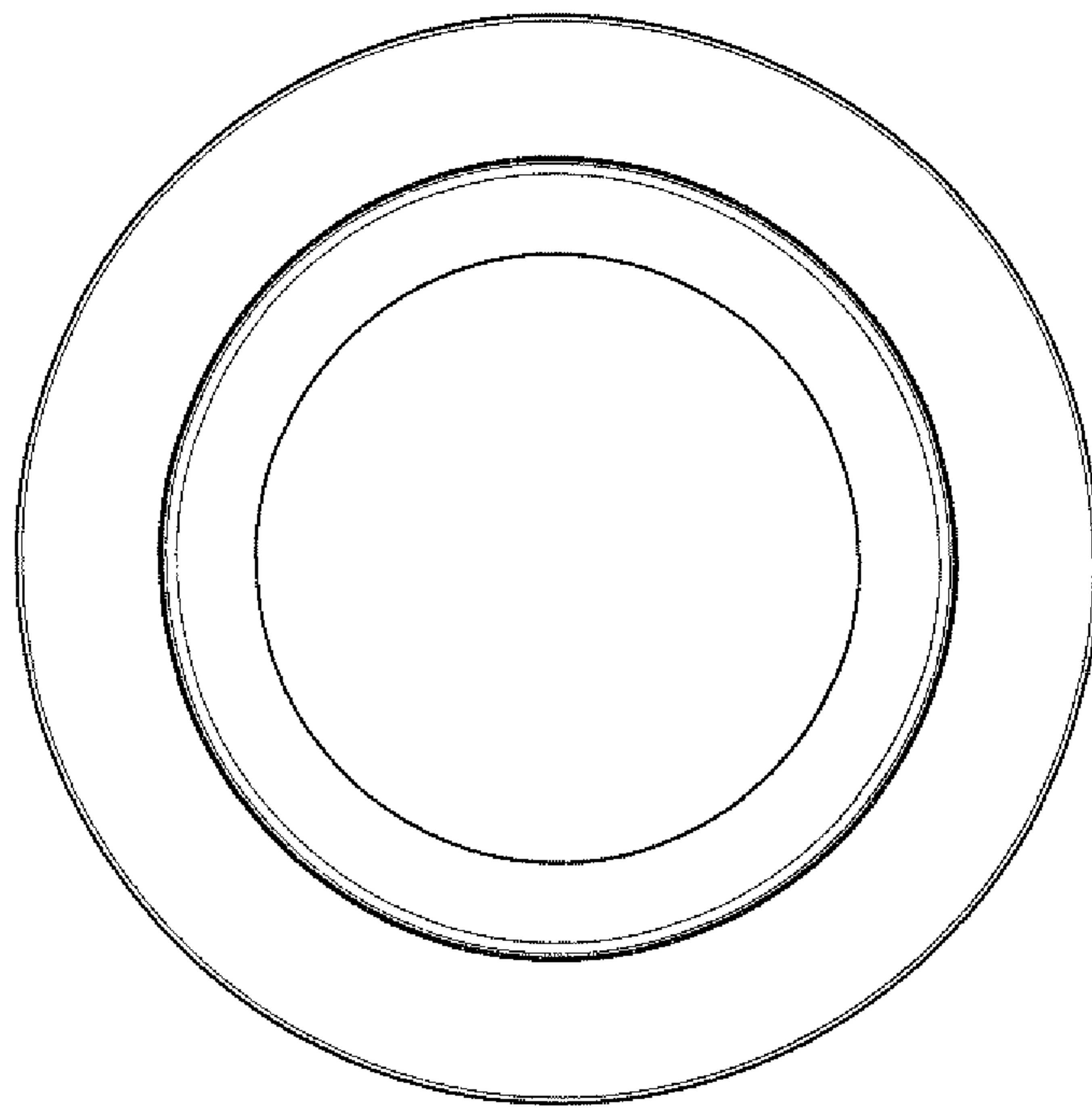


FIG. 6



FIG. 7





**FIG. 8**