



US00D695940S

(12) **United States Design Patent**  
**Desai**

(10) **Patent No.:** **US D695,940 S**

(45) **Date of Patent:** **\*\* \*Dec. 17, 2013**

(54) **GARDEN LIGHT**

(71) Applicant: **Navnit Desai**, San Dimas, CA (US)

(72) Inventor: **Navnit Desai**, San Dimas, CA (US)

(\*) Notice: This patent is subject to a terminal disclaimer.

(\*\*) Term: **14 Years**

(21) Appl. No.: **29/437,645**

(22) Filed: **Nov. 19, 2012**

(51) **LOC (9) Cl.** ..... **26-05**

(52) **U.S. Cl.**  
USPC ..... **D26/73; D26/68**

(58) **Field of Classification Search**  
USPC ..... D26/67-71, 73, 85, 92, 98, 101, 107;  
362/122, 124, 147, 157, 183, 186, 431,  
362/432, 806  
See application file for complete search history.

(56) **References Cited**

**U.S. PATENT DOCUMENTS**

D69,156	S	*	12/1925	Nyquist	.....	D26/98
D80,126	S	*	12/1929	Kornblum	.....	D26/98
D80,473	S	*	2/1930	Aloisi	.....	D26/98
5,829,862	A	*	11/1998	Ferrell	.....	362/554

5,947,582	A	*	9/1999	Huang	.....	362/122
D443,711	S	*	6/2001	Lindsay	.....	D26/68
6,260,987	B1	*	7/2001	Wu	.....	362/124
6,543,905	B1	*	4/2003	Adams et al.	.....	362/122
D485,389	S	*	1/2004	Weiser et al.	.....	D26/73
D493,563	S	*	7/2004	Sehl	.....	D26/98
6,945,673	B2	*	9/2005	Yao	.....	362/124
D613,893	S	*	4/2010	Kim	.....	D26/67
D623,791	S	*	9/2010	Kim	.....	D26/73

\* cited by examiner

*Primary Examiner* — Clare E Heflin

(74) *Attorney, Agent, or Firm* — One LLP

(57) **CLAIM**

The ornamental design for a garden light, as shown and described.

**DESCRIPTION**

FIG. 1 is a perspective view of the garden light showing the new design;

FIG. 2 is a front elevation view thereof.

FIG. 3 is a rear elevation view thereof.

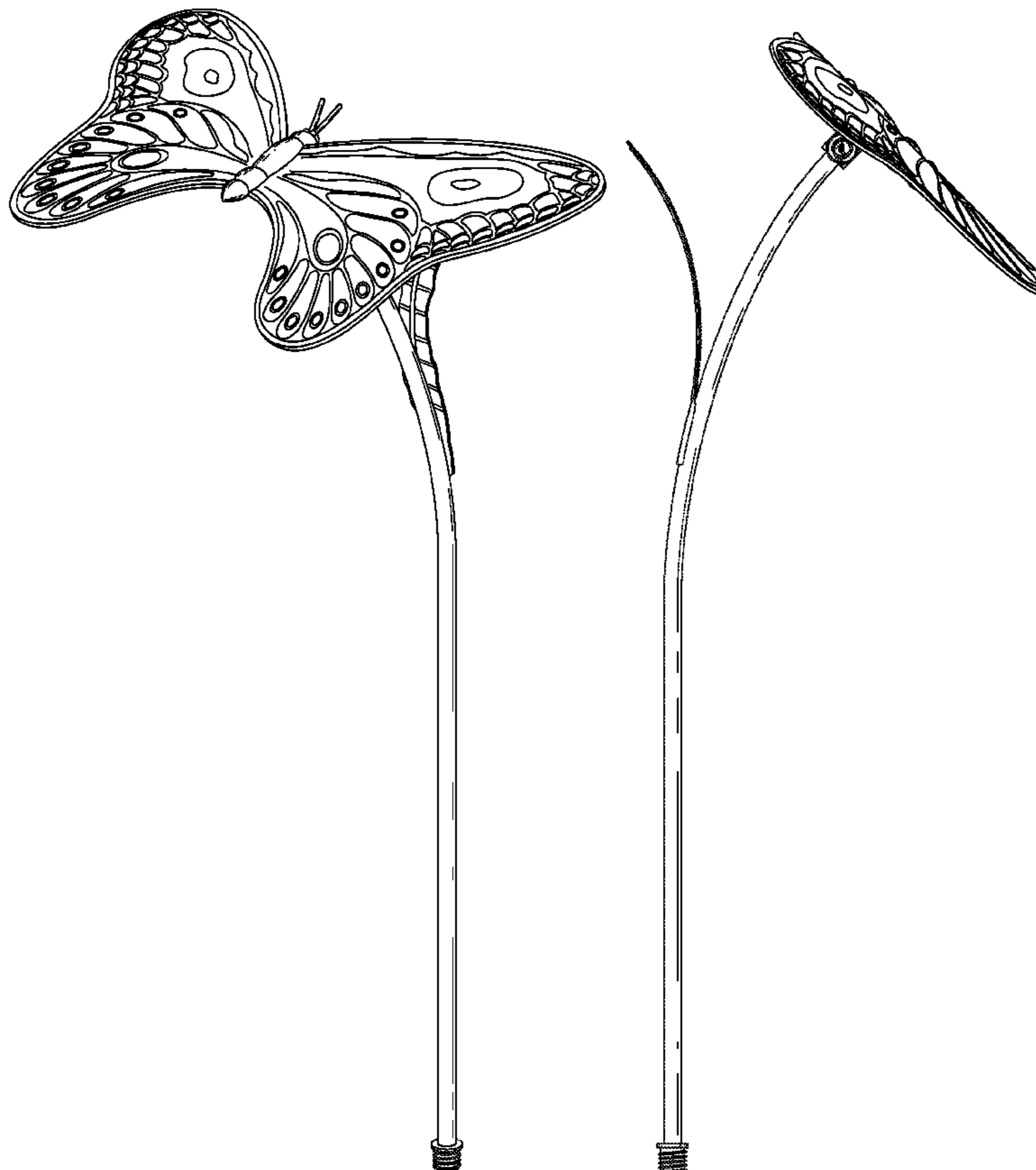
FIG. 4 is a side elevation view thereof.

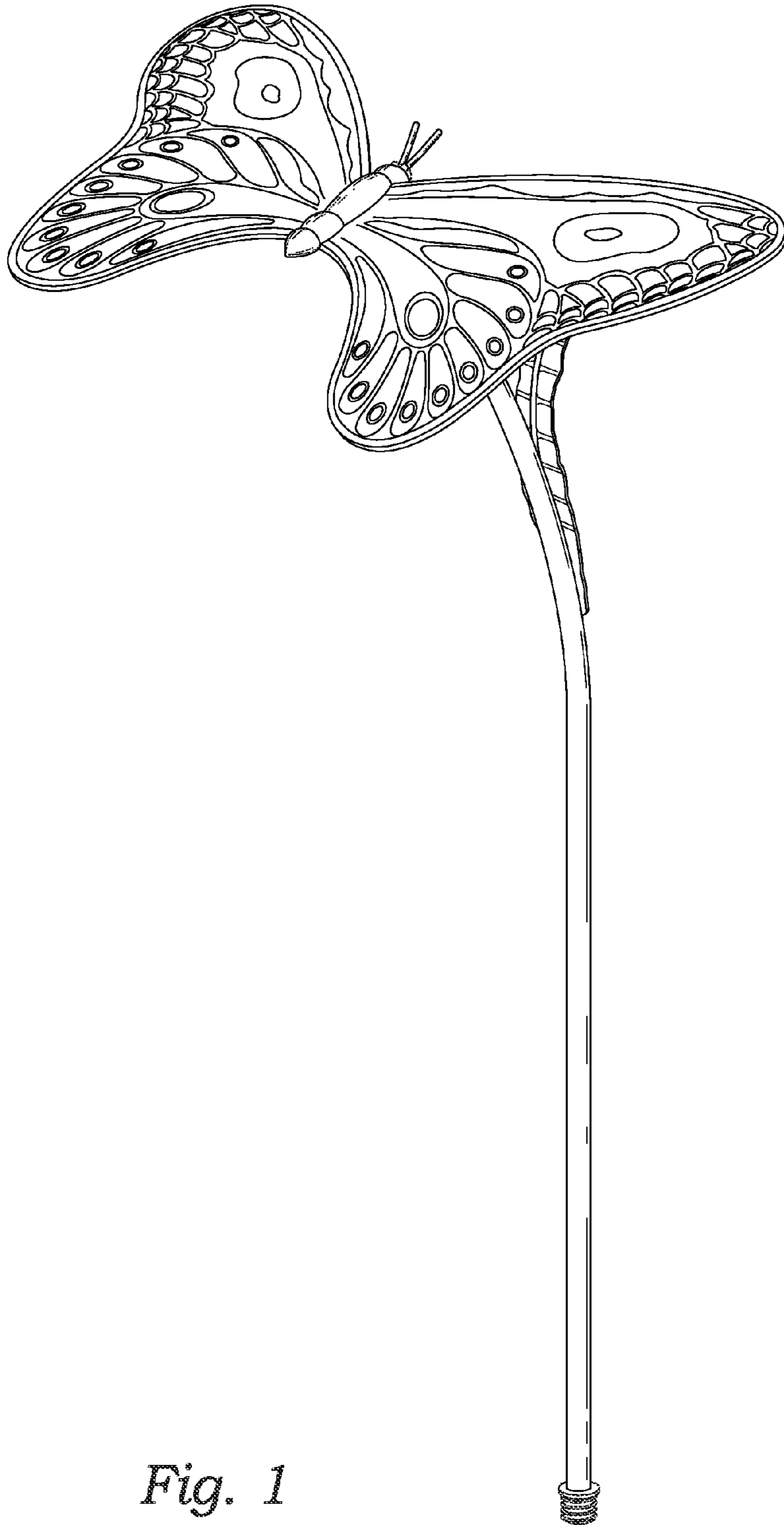
FIG. 5 is an opposite side elevation view thereof.

FIG. 6 is a top plan view thereof; and,

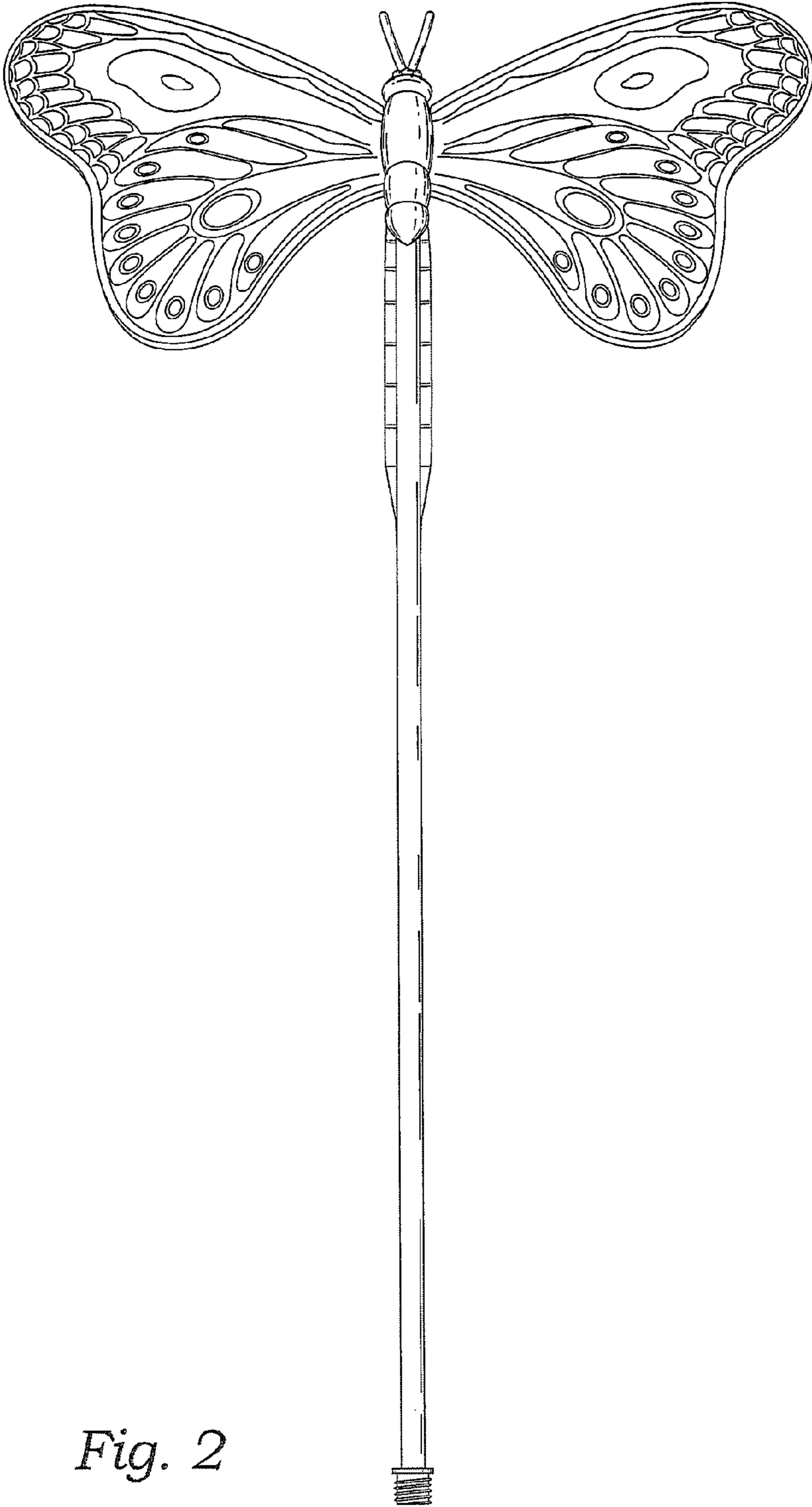
FIG. 7 is a bottom plan view thereof.

**1 Claim, 6 Drawing Sheets**

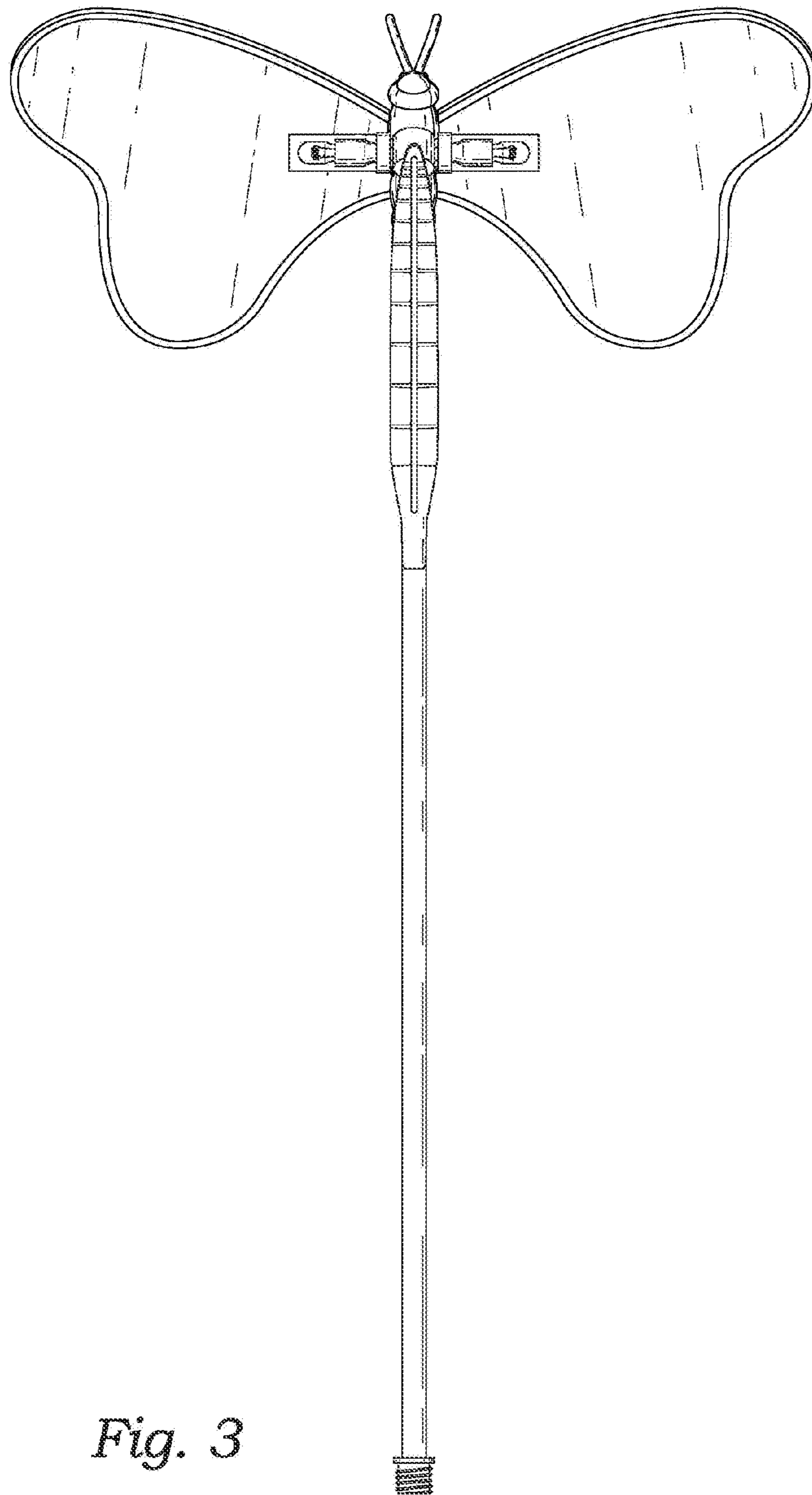




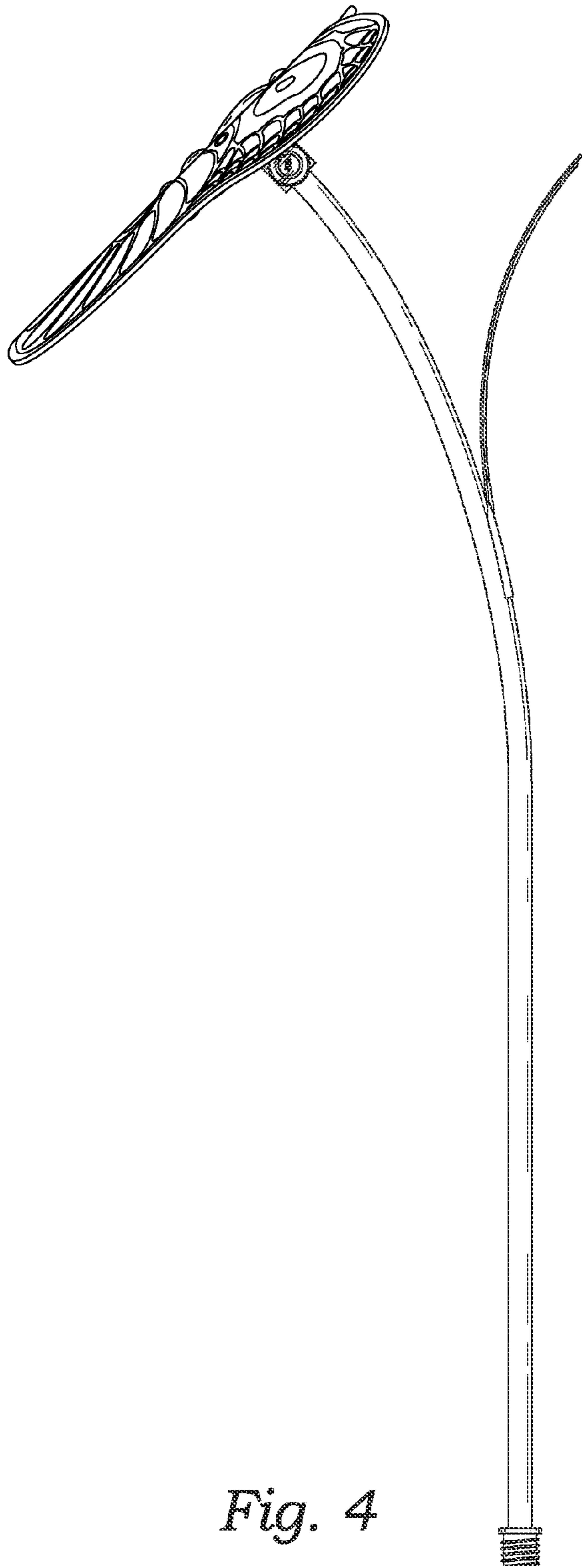
*Fig. 1*



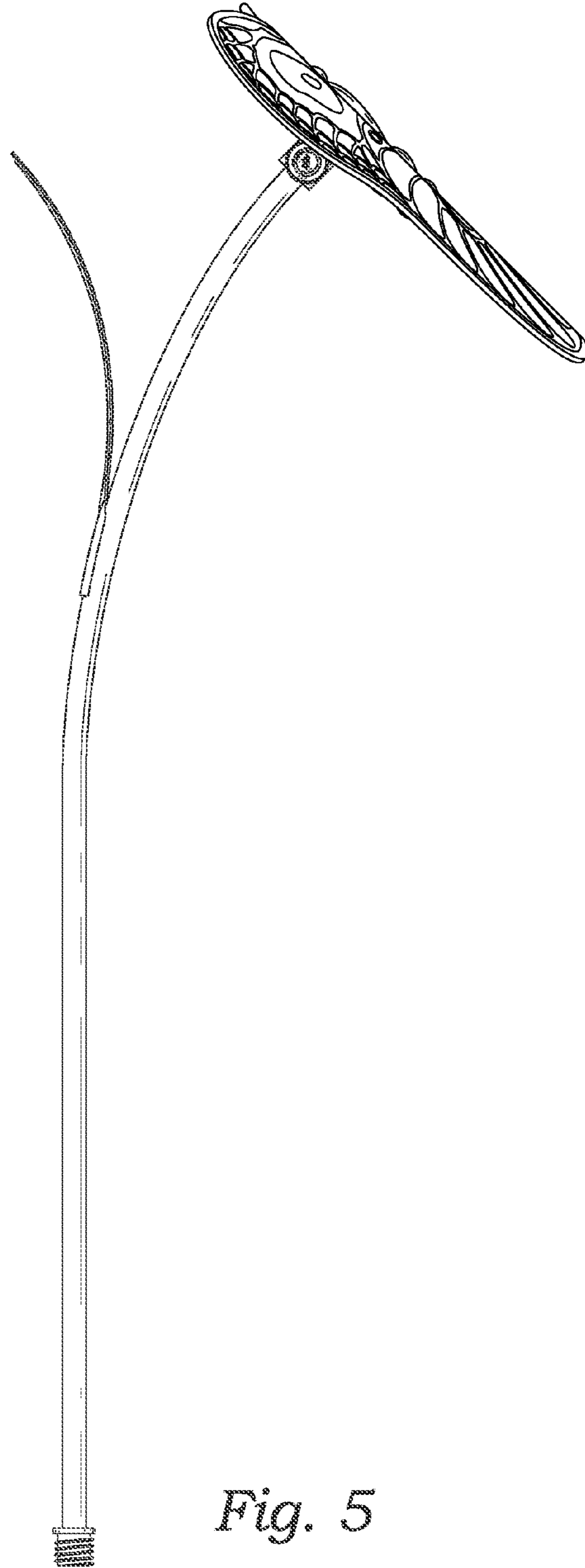
*Fig. 2*



*Fig. 3*

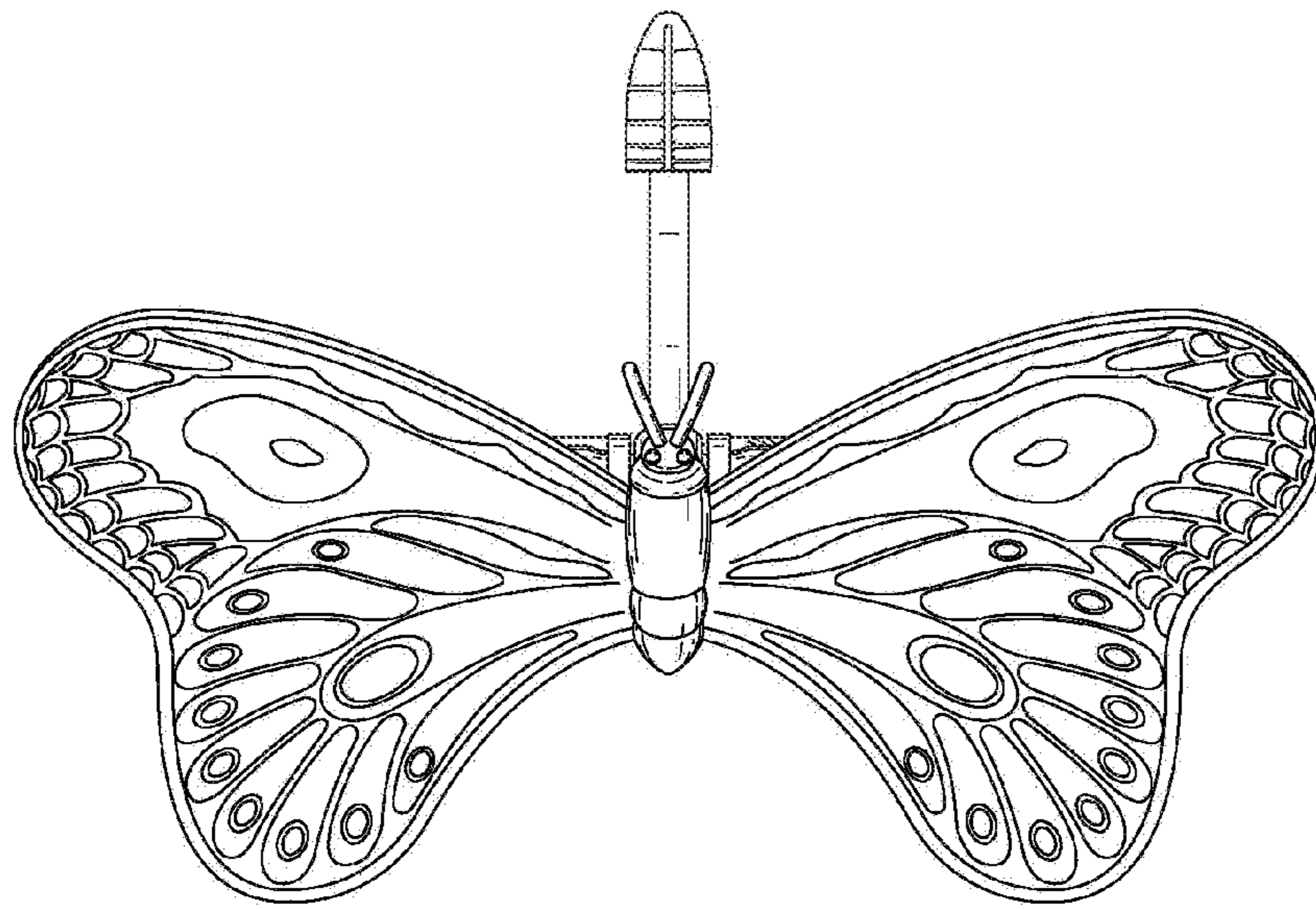


*Fig. 4*

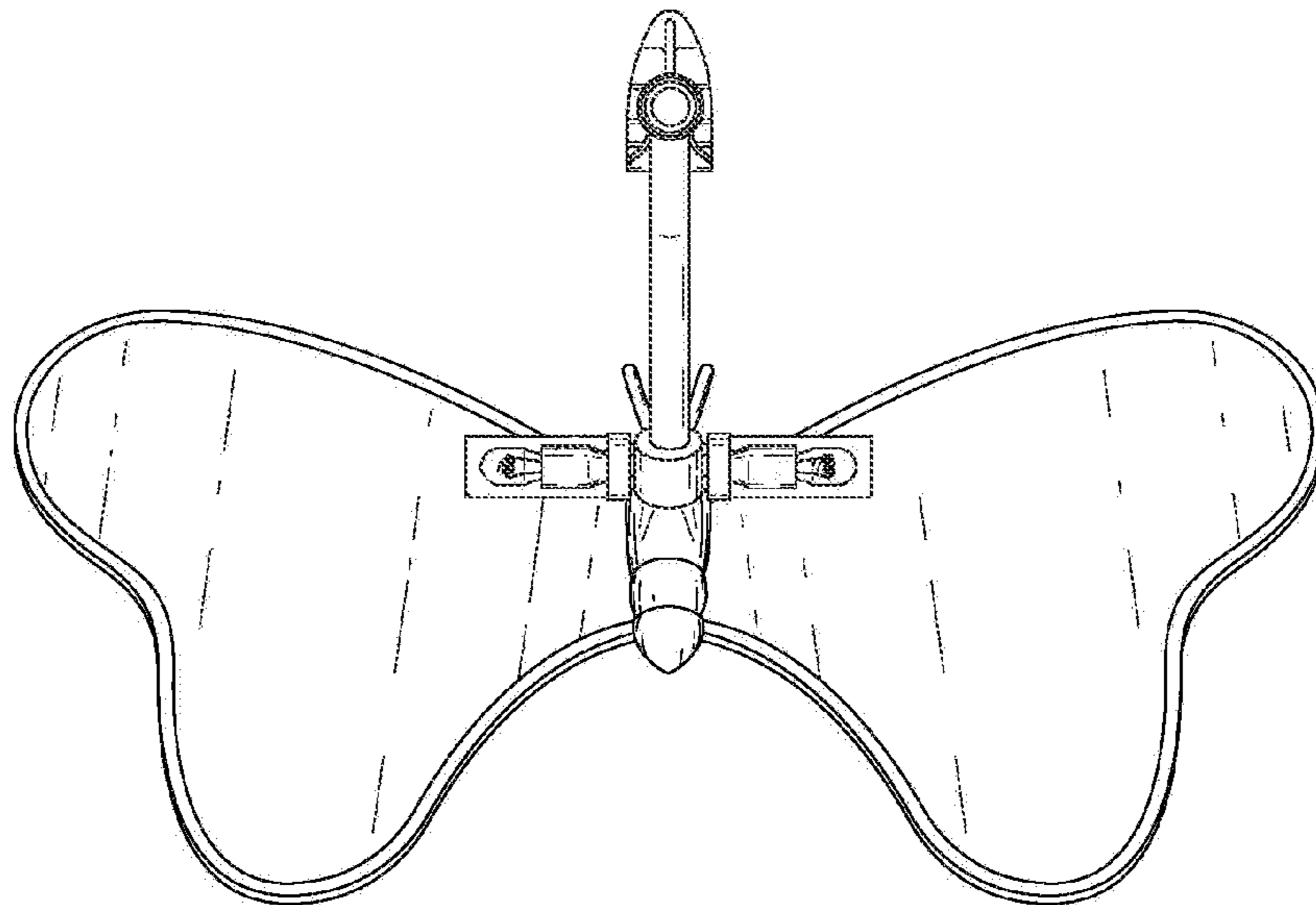


*Fig. 5*





*Fig. 6*



*Fig. 7*