



US00D695936S

(12) **United States Design Patent**  
**Ishizuka et al.**

(10) **Patent No.:** **US D695,936 S**

(45) **Date of Patent:** **\*\* Dec. 17, 2013**

(54) **HEADLAMP FOR AUTOMOBILE**

(71) Applicant: **Nissan Motor Co., Ltd.**, Kanagawa (JP)

(72) Inventors: **Kouichi Ishizuka**, Kanagawa (JP);  
**Yoshihiro Okada**, Kanagawa (JP);  
**Shinya Momokawa**, Kanagawa (JP)

(73) Assignee: **Nissan Motor Co., Ltd.**, Yokohama (JP)

(\*\*) Term: **14 Years**

(21) Appl. No.: **29/451,129**

(22) Filed: **Mar. 28, 2013**

(30) **Foreign Application Priority Data**

Sep. 28, 2012 (JP) ..... 2012-023857

(51) **LOC (9) Cl.** ..... **26-06**

(52) **U.S. Cl.**  
USPC ..... **D26/28**

(58) **Field of Classification Search**  
USPC ..... D26/28-36; 362/459-468, 475-478,  
362/485-487  
See application file for complete search history.

(56) **References Cited**

**U.S. PATENT DOCUMENTS**

D538,956 S	*	3/2007	Ishii	.....	D26/28
D544,614 S	*	6/2007	Markefka	.....	D26/28
D561,358 S	*	2/2008	Tachibana	.....	D26/28
D570,007 S	*	5/2008	Hsu	.....	D26/28
D582,587 S	*	12/2008	Yang	.....	D26/28
D593,232 S	*	5/2009	Koman et al.	.....	D26/28
D635,694 S	*	4/2011	Yang et al.	.....	D26/28

\* cited by examiner

*Primary Examiner* — Marcus Jackson

(74) *Attorney, Agent, or Firm* — Global IP Counselors, LLP

(57) **CLAIM**

The ornamental design for a headlamp for an automobile, as shown and described.

**DESCRIPTION**

FIG. 1 is an outside elevational view of a headlamp for an automobile in accordance with a first embodiment of our new design;

FIG. 2 is an inside elevational view of the headlamp for an automobile in accordance with the first embodiment of our new design of FIG. 1;

FIG. 3 is a top plan view of the headlamp for an automobile in accordance with the first embodiment of our new design of FIGS. 1 and 2;

FIG. 4 is a bottom plan view of the headlamp for an automobile in accordance with the first embodiment of our new design of FIGS. 1 to 3;

FIG. 5 is a front side elevational view of the headlamp for an automobile in accordance with the first embodiment of our new design of FIGS. 1 to 4;

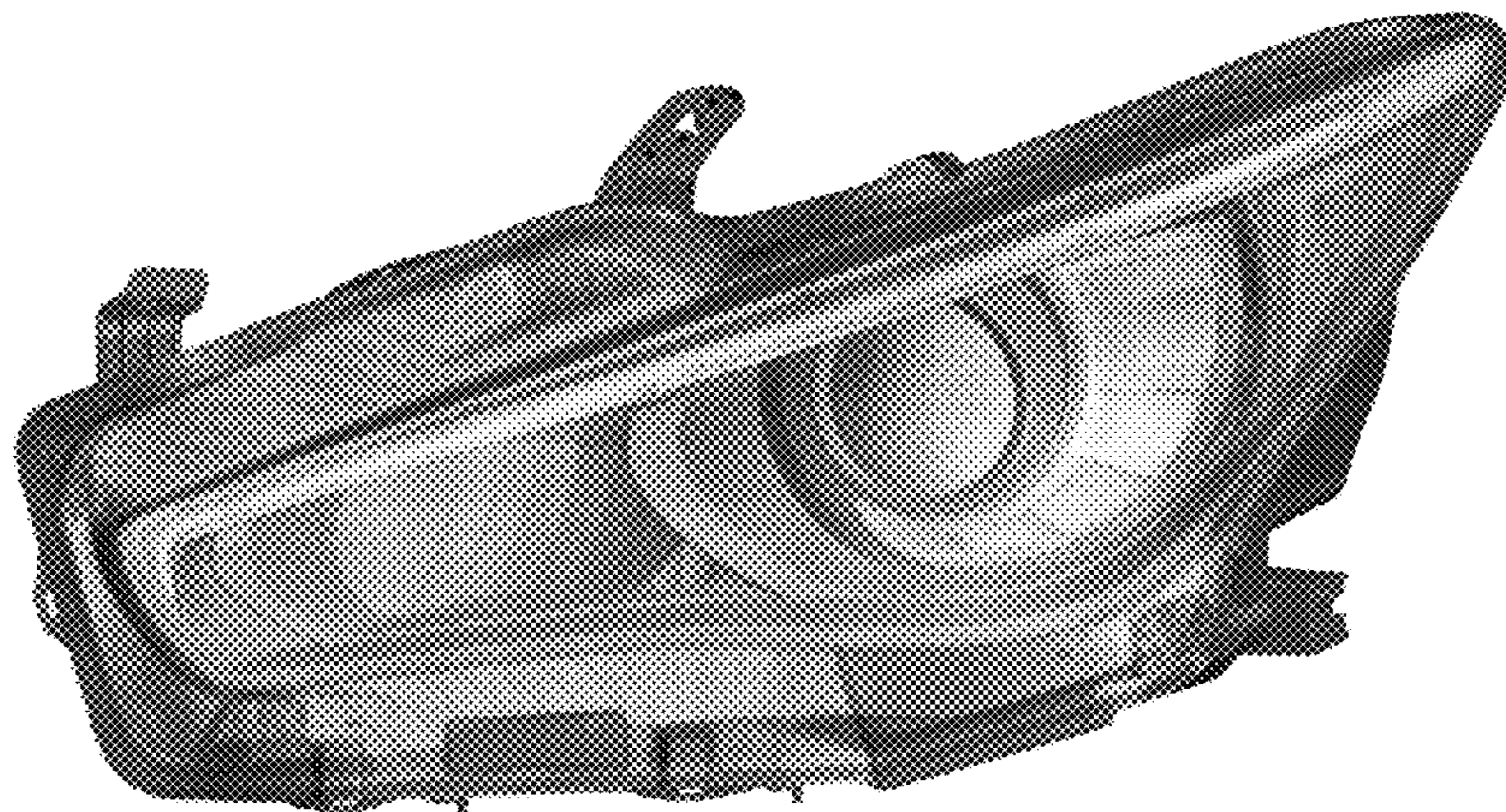
FIG. 6 is a rear side elevational view of the headlamp for an automobile in accordance with the first embodiment of our new design of FIGS. 1 to 5; and,

FIG. 7 is a front side perspective view of the headlamp for an automobile in accordance with the first embodiment of our new design of FIGS. 1 to 6.

A second embodiment of our new design is identical to the first embodiment except that the inside elevational view of FIG. 2 and the rear side elevational view of FIG. 6 form no part of the claimed design. In addition, in the second embodiment, the appearance of the rear side structures and inside side structures of the headlamp for an automobile as seen in FIGS. 1, 3, 4, 5 and 7 is for purpose of illustrating the boundaries of the exterior surface of the outside of the headlamp for an automobile, and forms no part of the claimed design.

Our new design includes the mirror image of the headlamp for an automobile shown in FIGS. 1 to 7.

**1 Claim, 7 Drawing Sheets**



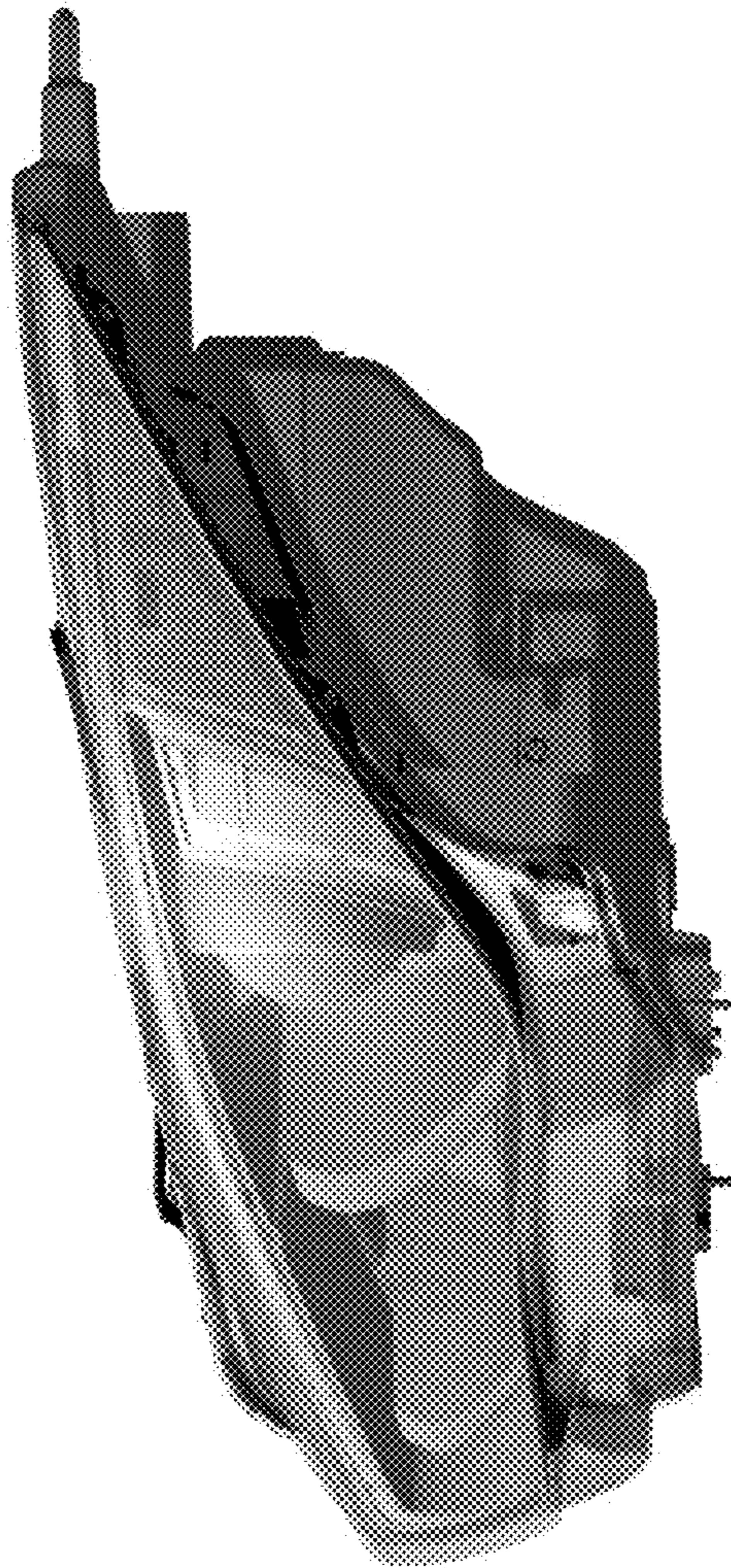


FIG. 1

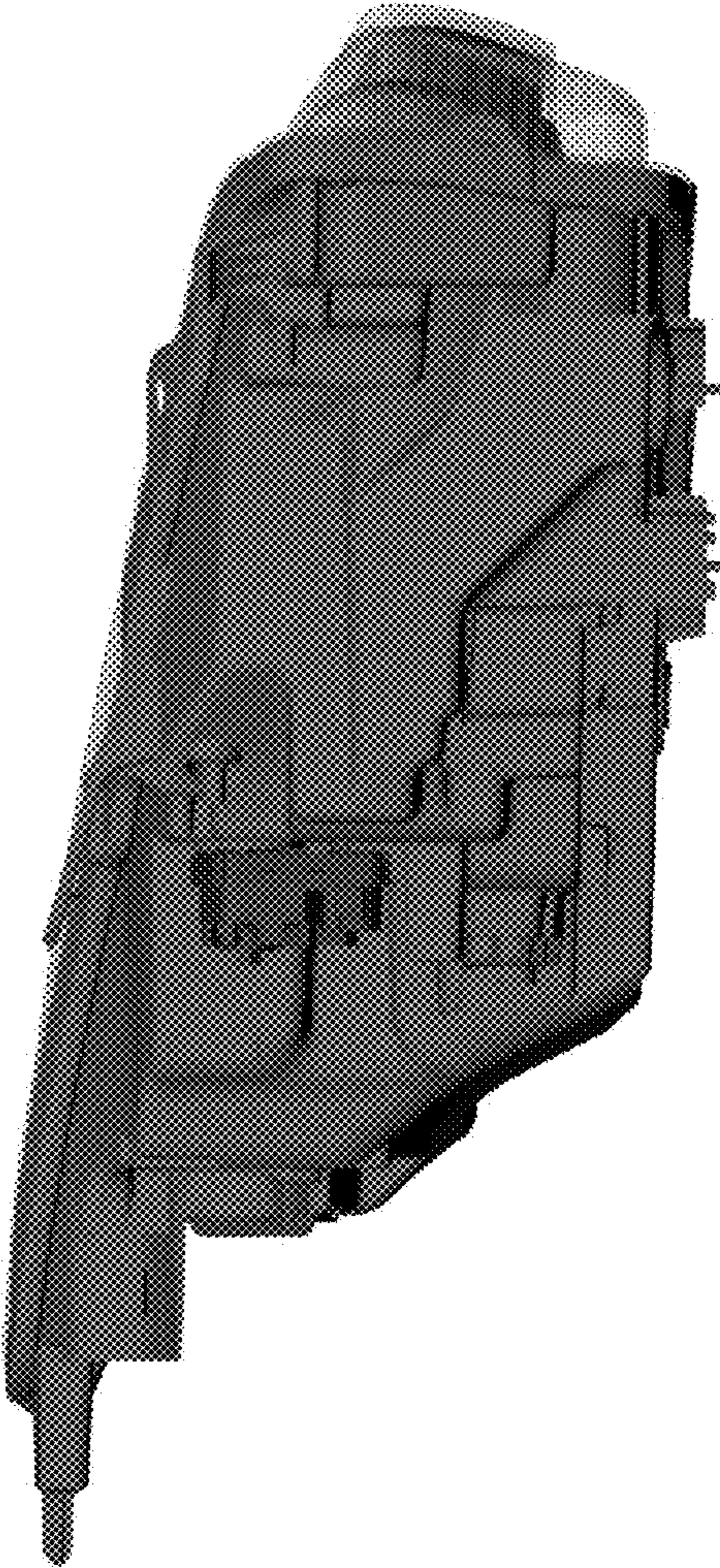


FIG. 2

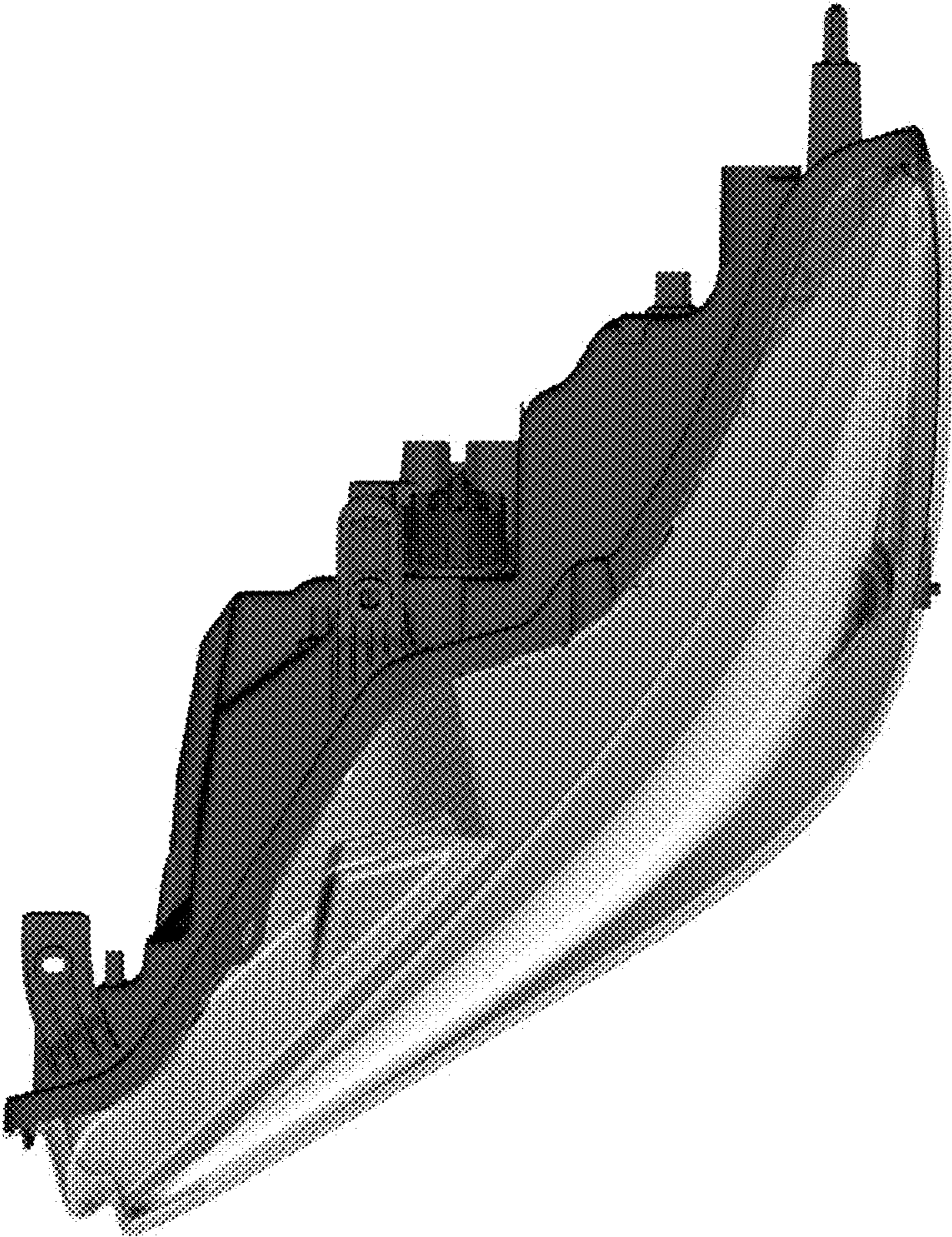


FIG. 3

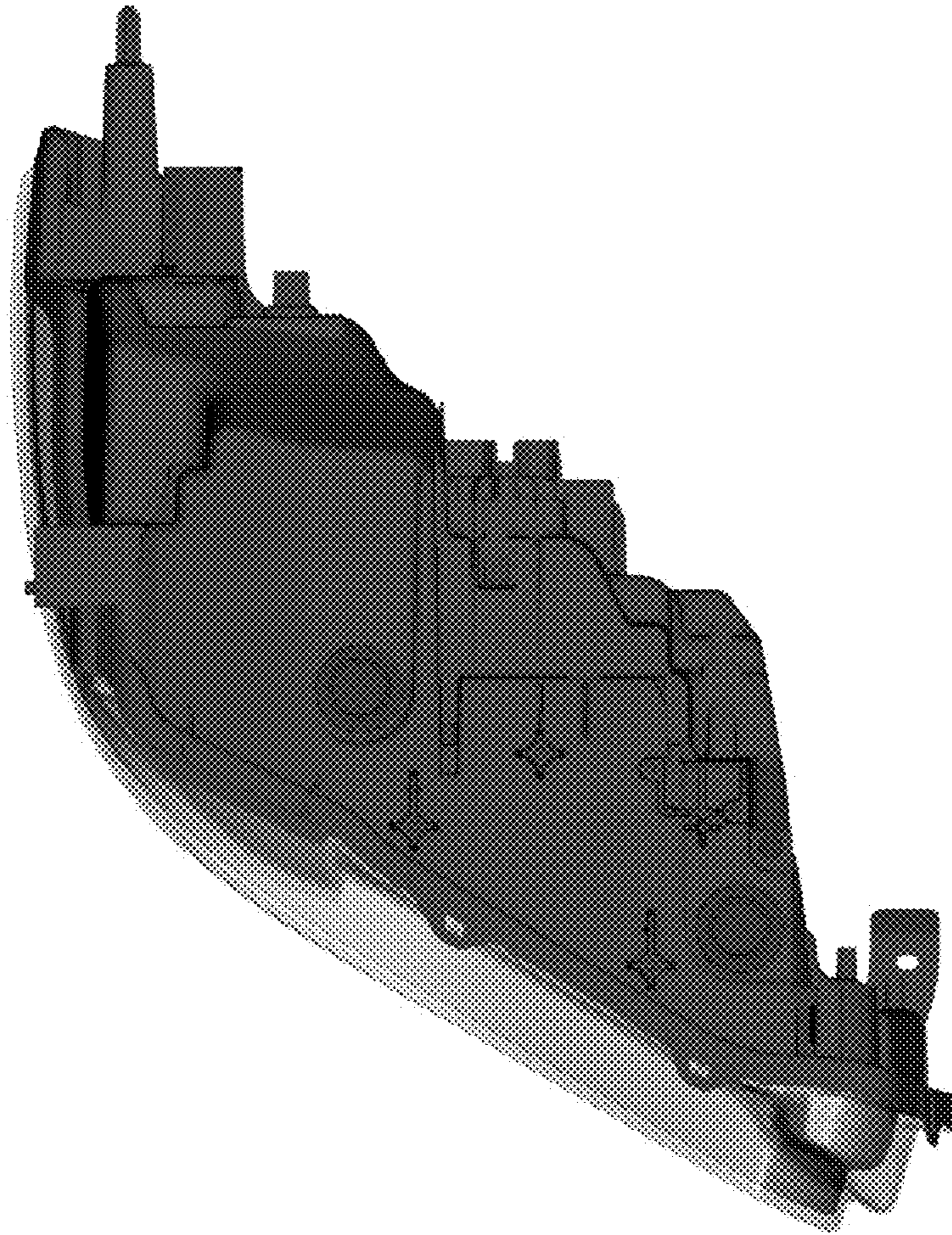


FIG. 4

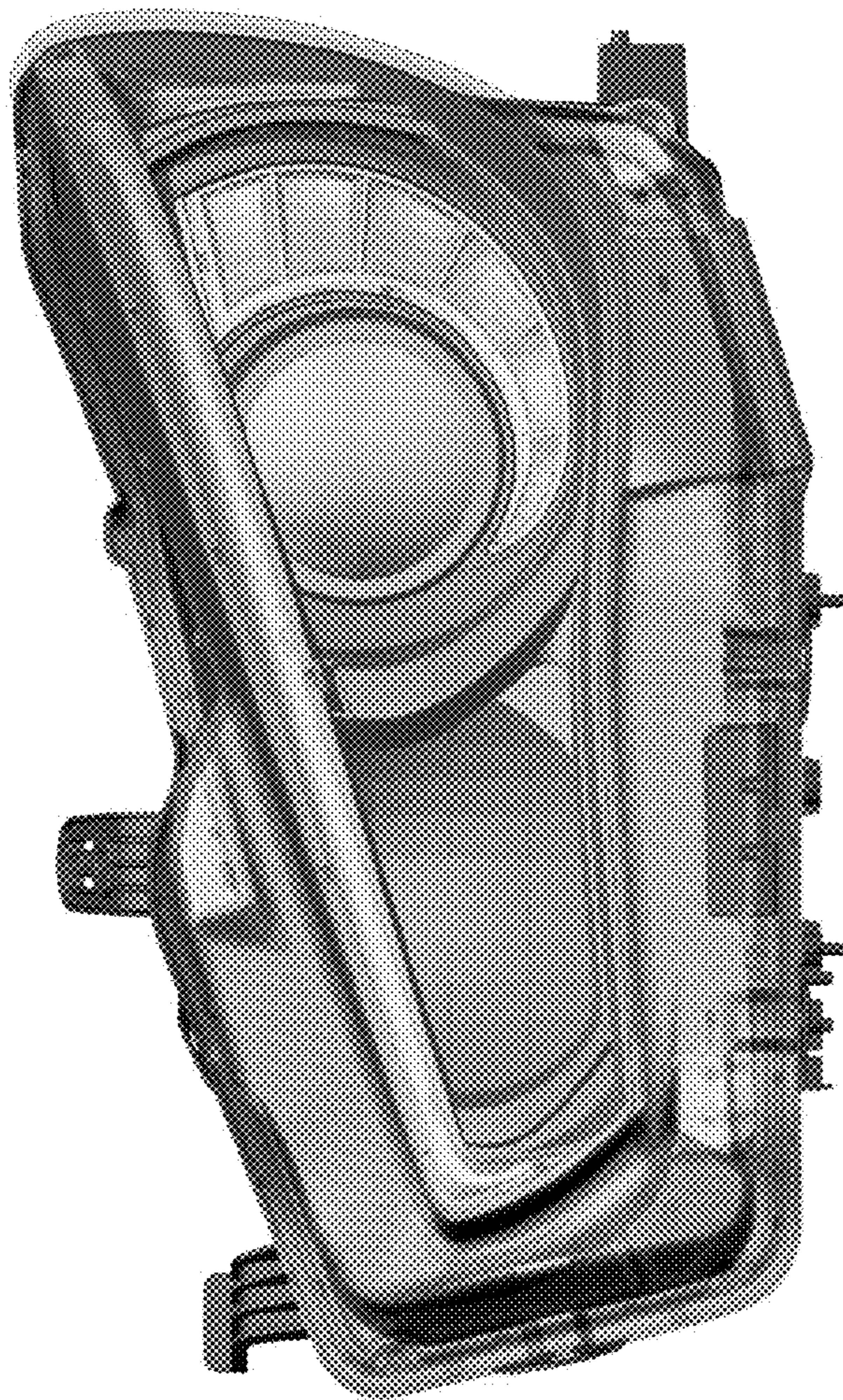


FIG. 5

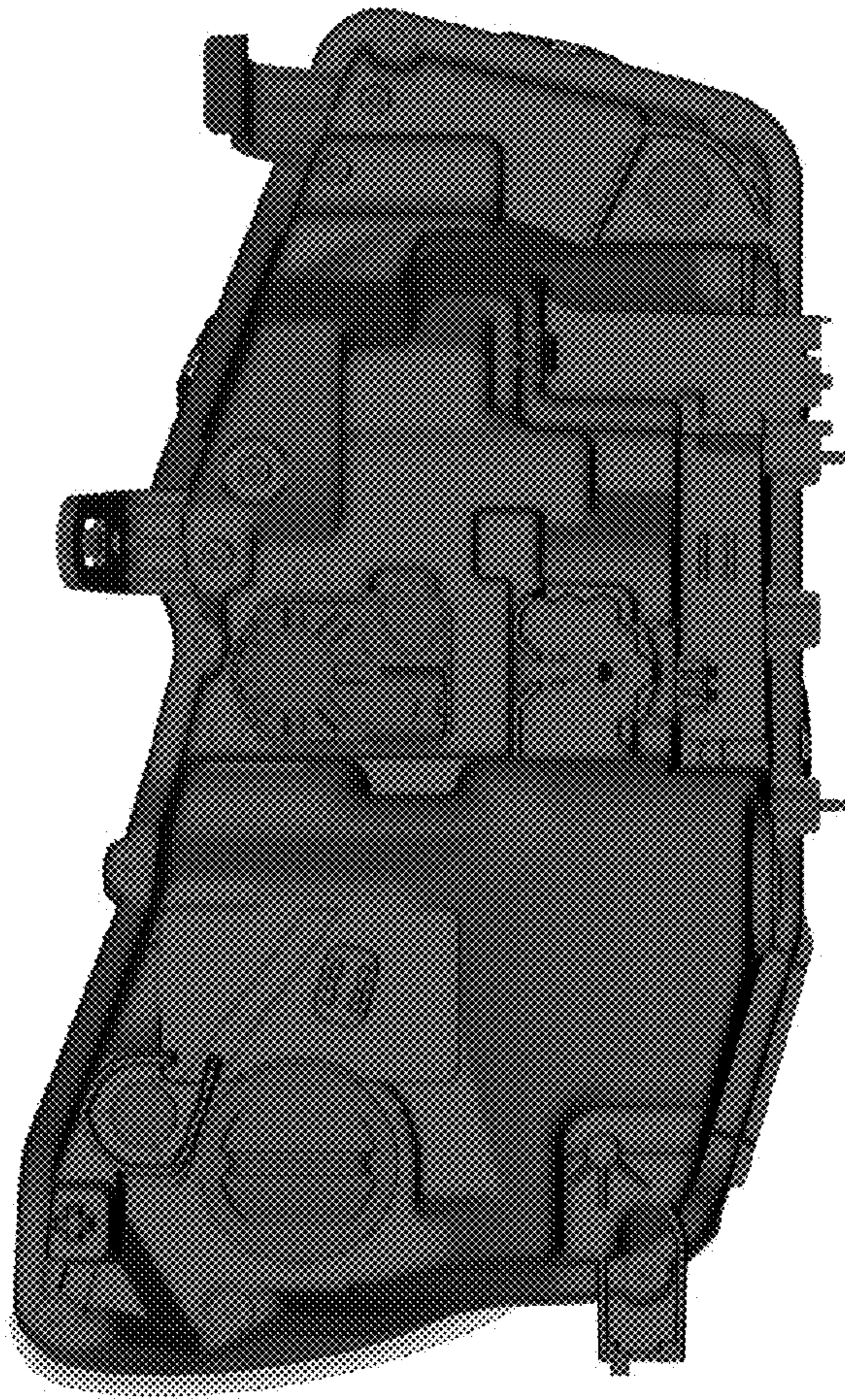


FIG. 6

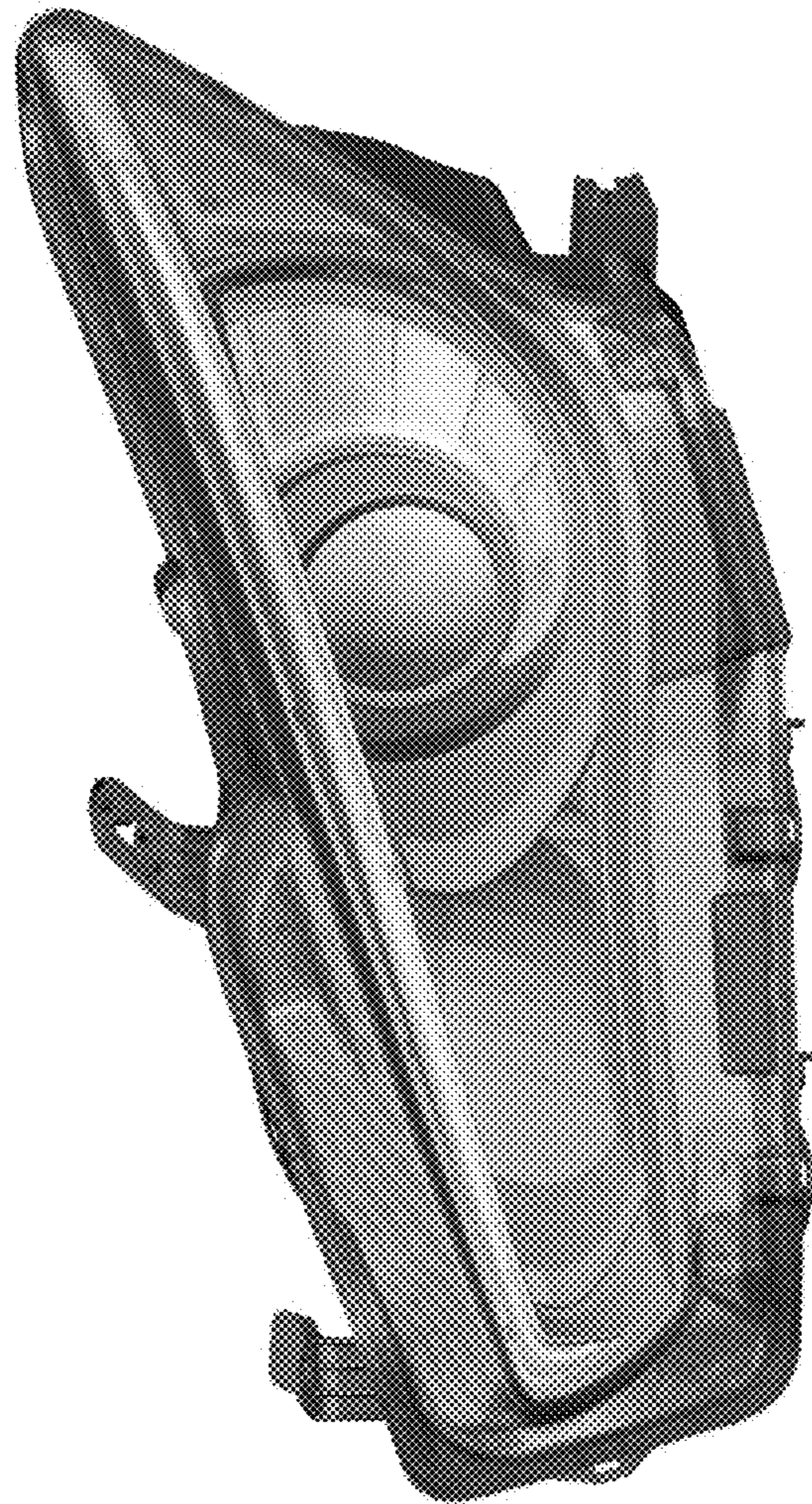


FIG. 7