

US00D695934S

(12) **United States Design Patent**
Lai

(10) **Patent No.:** **US D695,934 S**

(45) **Date of Patent:** **** Dec. 17, 2013**

(54) **EXTERIOR SURFACE CONFIGURATION
FOR A VEHICLE HEADLIGHT**

(75) Inventor: **Ching-Tsung Lai**, Tainan (TW)

(73) Assignee: **Litek Enterprises Co., Ltd.**, Tainan (TW)

(**) Term: **14 Years**

(21) Appl. No.: **29/427,096**

(22) Filed: **Jul. 13, 2012**

(51) **LOC (9) Cl.** **26-06**

(52) **U.S. Cl.**
USPC **D26/28**

(58) **Field of Classification Search**
USPC D26/28-36; 362/459-468, 475-478,
362/485-487

See application file for complete search history.

(56) **References Cited**

U.S. PATENT DOCUMENTS

D506,842 S * 6/2005 Nagura et al. D26/28

D524,466 S * 7/2006 Essig D26/28
D529,208 S * 9/2006 Ikeda D26/28
D538,954 S * 3/2007 Pfeiffer D26/28
D542,442 S * 5/2007 Matsunami D26/28
D552,768 S * 10/2007 Leclercq D26/28
D570,007 S * 5/2008 Hsu D26/28

* cited by examiner

Primary Examiner — Marcus Jackson

(74) *Attorney, Agent, or Firm* — Muncy, Geissler, Olds & Lowe, PLLC

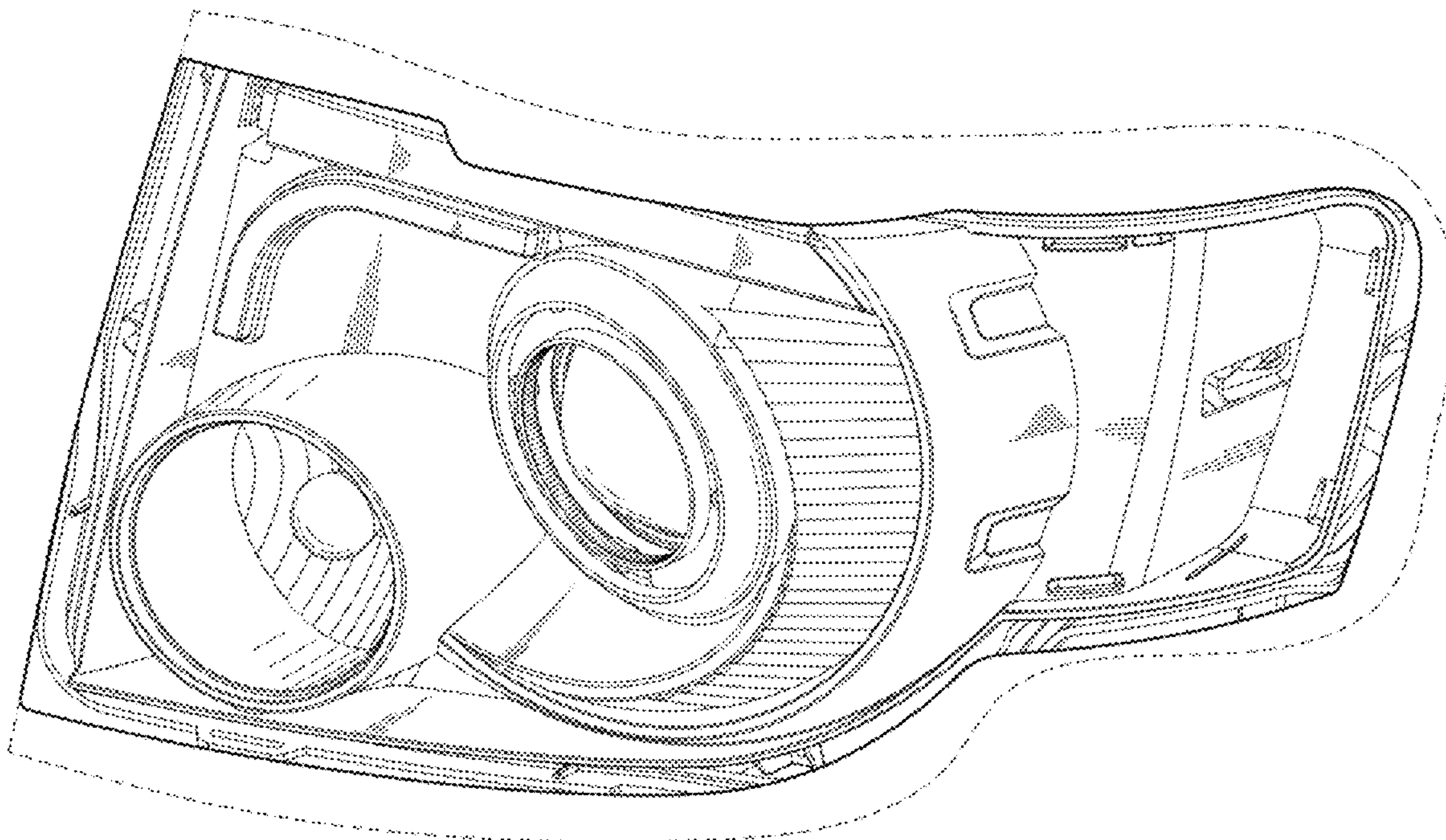
(57) **CLAIM**

I claim, the ornamental design for an exterior surface configuration for a vehicle headlight, as shown and described.

DESCRIPTION

FIG. 1 is a perspective view of an exterior surface configuration for a vehicle headlight showing my present design; FIG. 2 is a front view thereof; FIG. 3 is a right view thereof; and, FIG. 4 is a top plan view thereof.

1 Claim, 4 Drawing Sheets



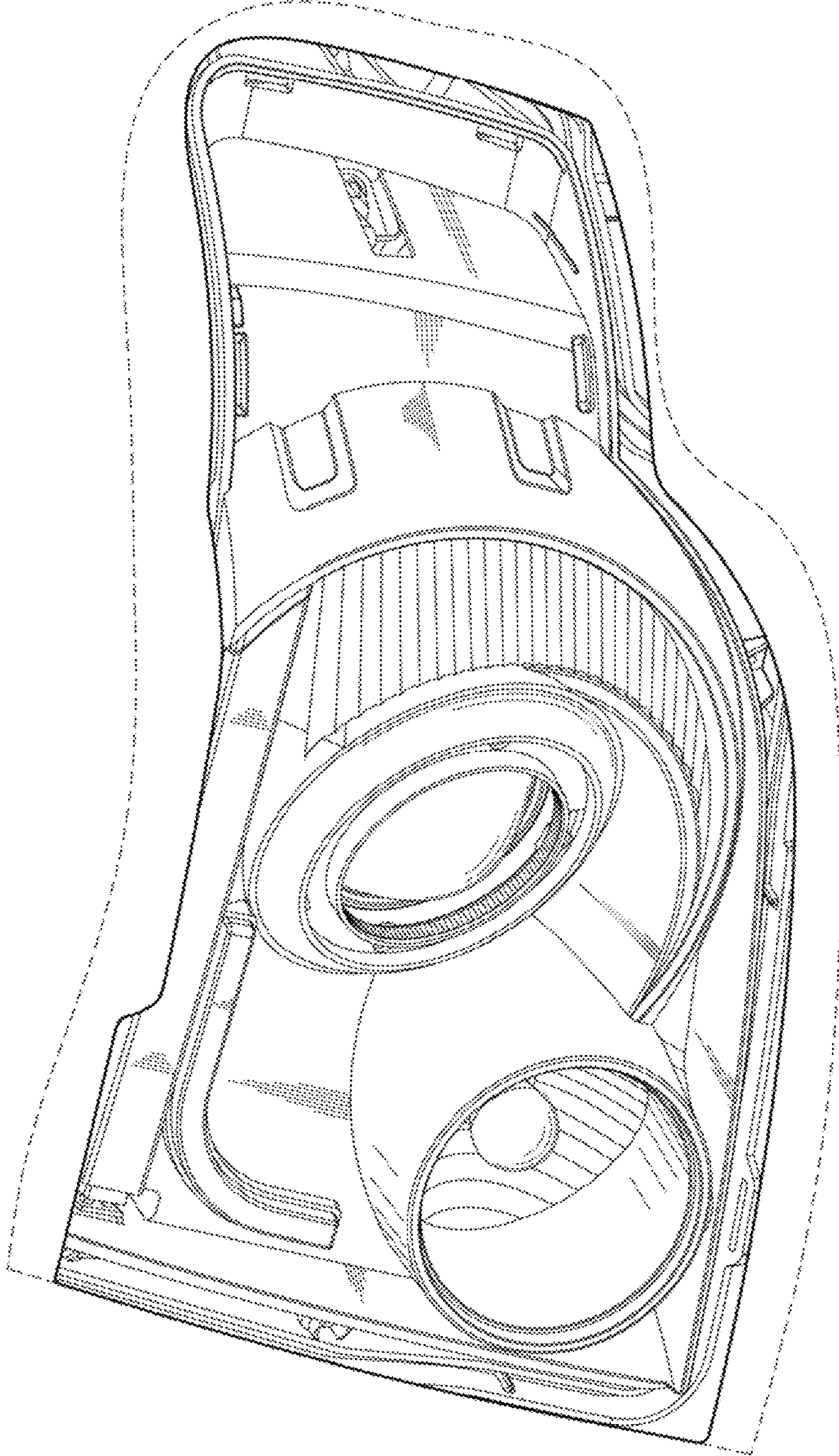


FIG. 1

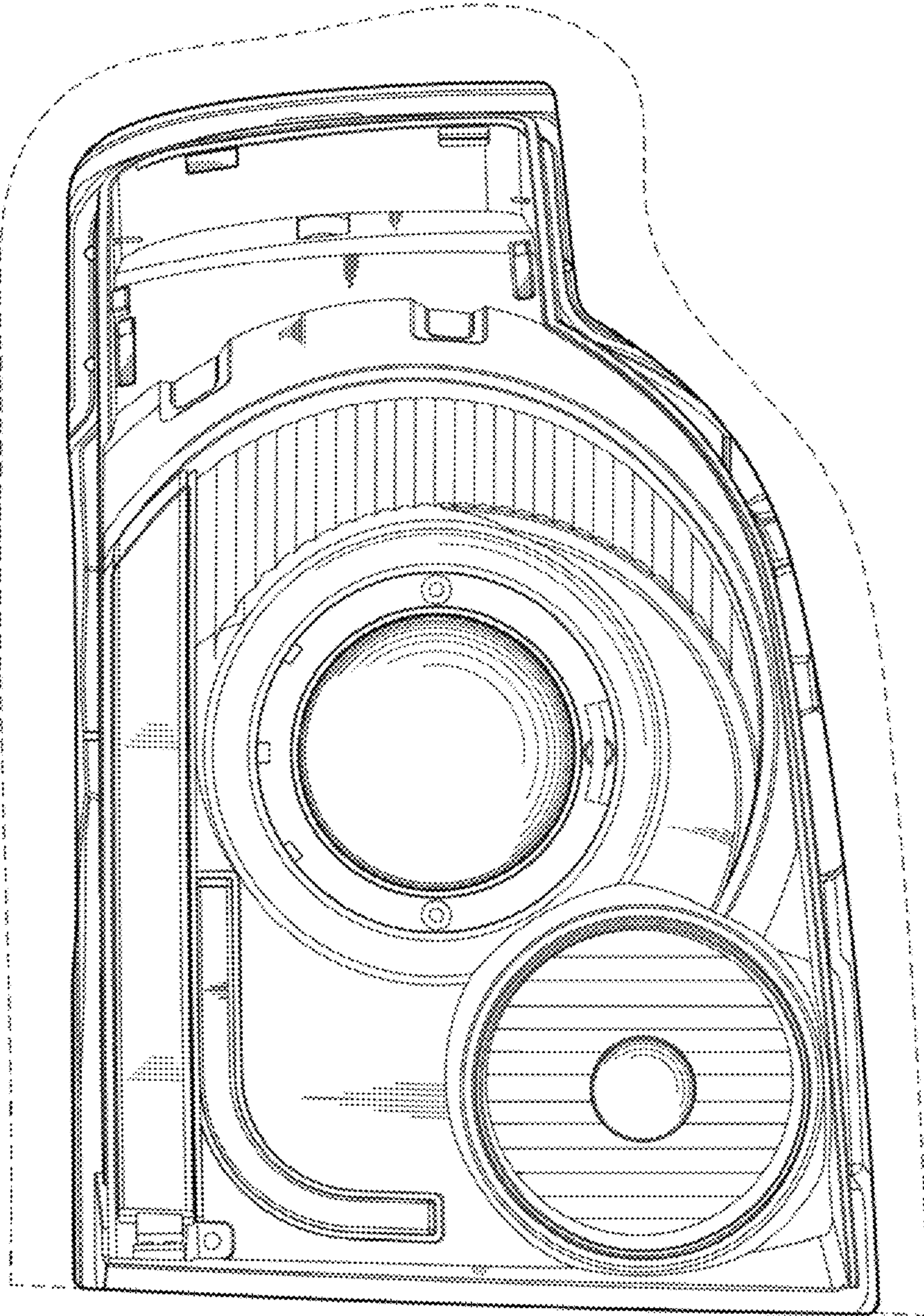


FIG. 2

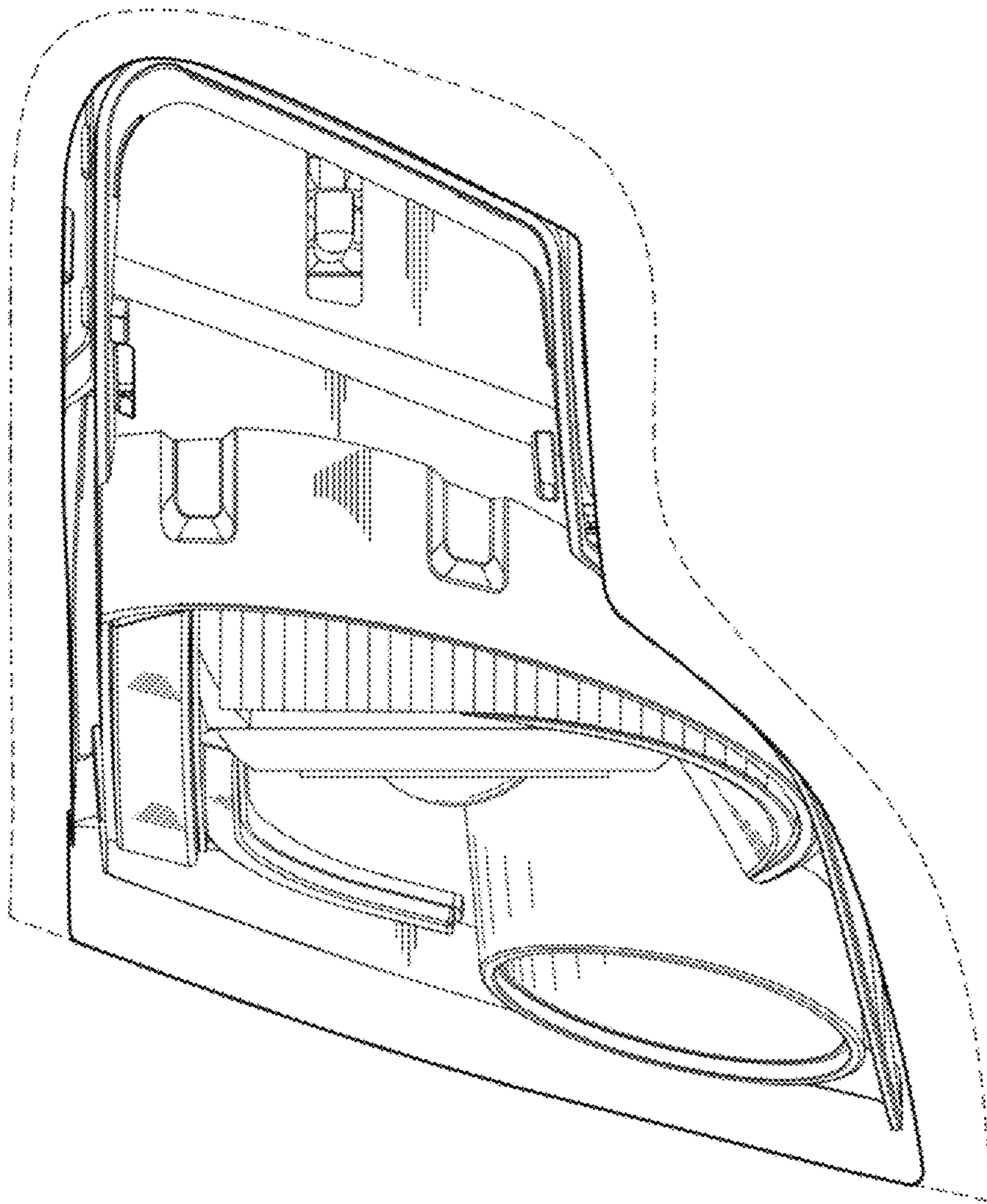


FIG. 3

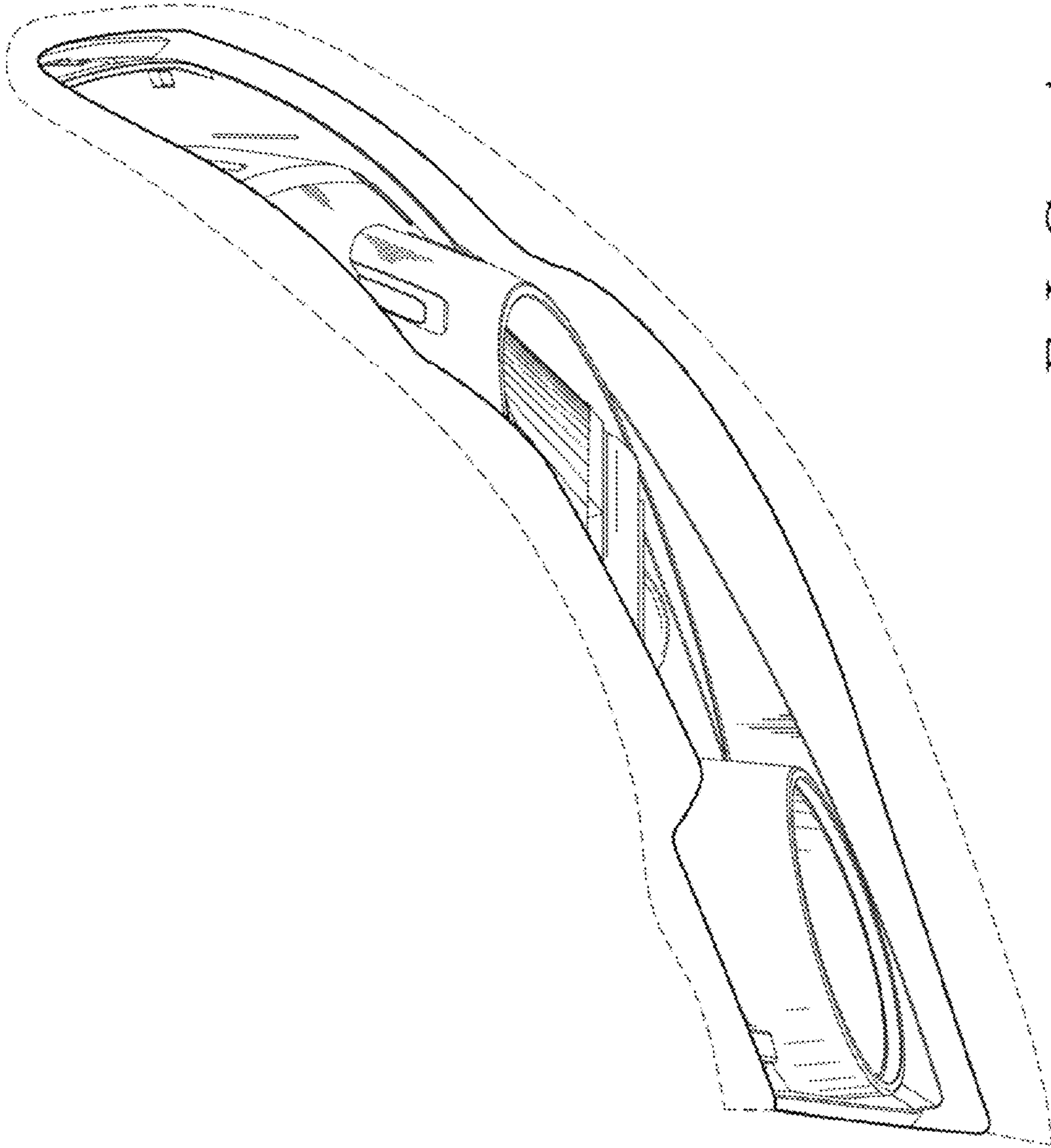


FIG. 4