



US00D695929S

(12) **United States Design Patent**
Zhang et al.

(10) **Patent No.:** **US D695,929 S**
(45) **Date of Patent:** **** Dec. 17, 2013**

- (54) **HEAT SINK FOR A LAMP**
- (71) Applicants: **Shiyong Zhang**, Boxborough, MA (US);
Yichong Zeng, Chelmsford, MA (US)
- (72) Inventors: **Shiyong Zhang**, Boxborough, MA (US);
Yichong Zeng, Chelmsford, MA (US)

D672,480 S	12/2012	Maxik et al.	
D674,960 S	1/2013	Chen et al.	
D676,986 S	2/2013	Maxik et al.	
D683,867 S *	6/2013	Rioux et al.	D26/2
D689,631 S *	9/2013	Zhang et al.	D26/2
2007/0253202 A1	11/2007	Wu et al.	
2010/0133578 A1	6/2010	Pickard et al.	

- (73) Assignee: **OSRAM SYLVANIA Inc.**, Danvers, MA (US)

FOREIGN PATENT DOCUMENTS

EP	2256403 A2	12/2010
WO	2011029724 A1	3/2011

- (**) Term: **14 Years**

OTHER PUBLICATIONS

- (21) Appl. No.: **29/460,953**
- (22) Filed: **Jul. 17, 2013**

Brochure showing Osram Sylvania Ultra LED Narrow Beam PAR 38 Lamp, one design created by Shiyong Zhang, Yichong Zeng and Phil Rioux, exhibited May 7, 2012 at Las Vegas Light Fair Trade Show, Nevada, USA (1 page).

Related U.S. Application Data

Applicants' pending Design U.S. Appl. No. 29/395,473, filed Jan. 27, 2012 naming inventors Phil Rioux, Shiyong Zhang and Yichong Zeng.

- (62) Division of application No. 29/429,387, filed on Aug. 10, 2012, now Pat. No. Des. 690,053.

(Continued)

- (51) **LOC (9) Cl.** **26-04**

Primary Examiner — Marcus Jackson

- (52) **U.S. Cl.**
USPC **D26/2**

(74) *Attorney, Agent, or Firm* — Edward S. Podszus

- (58) **Field of Classification Search**
USPC D26/1-4; 313/313, 315, 316, 317, 318,
313/493; 315/52, 53, 56, 57, 58
See application file for complete search history.

(57) **CLAIM**

The ornamental design for a heat sink for a lamp, as shown and described.

- (56) **References Cited**

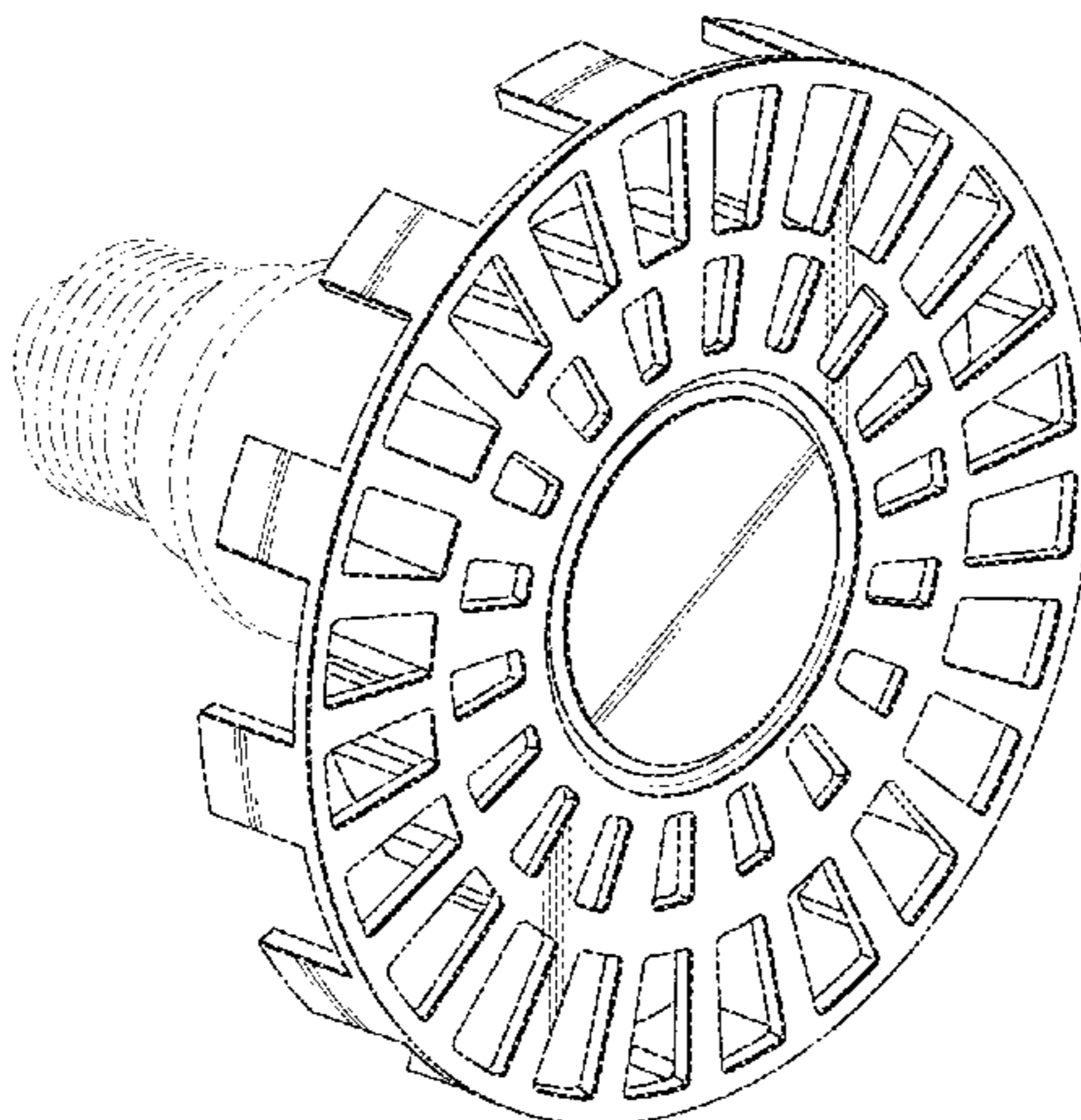
DESCRIPTION

U.S. PATENT DOCUMENTS

D610,722 S *	2/2010	Bi	D26/2
D626,260 S *	10/2010	Wei	D26/2
D628,319 S *	11/2010	Yoshinobu et al.	D26/2
D629,129 S *	12/2010	Lin et al.	D26/2
D630,347 S *	1/2011	Pei et al.	D26/2
D633,224 S	2/2011	Lee	
D634,870 S	3/2011	Shen et al.	
D644,352 S	8/2011	Layevsky et al.	
D644,355 S	8/2011	Layevsky et al.	
D646,406 S	10/2011	Tsai et al.	
D657,477 S	4/2012	Tu	
D667,969 S	9/2012	Rioux et al.	

FIG. 1 is a perspective view of the new design for a heat sink for a lamp as seen from the front, top;
 FIG. 2 is a rear perspective view as seen from the rear, side thereof;
 FIG. 3 is a side elevational view thereof;
 FIG. 4 is a top plan view thereof; and,
 FIG. 5 is a rear plan view thereof.
 The broken lines illustrate portions of the lamp other than the heat sink to show environmental features only and form no part of the claimed design.

1 Claim, 5 Drawing Sheets



(56)

References Cited

OTHER PUBLICATIONS

Applicants' pending Design U.S. Appl. No. 29/395,476, filed Jan. 27, 2012 naming inventors Shiyong Zhang and Yichong Zeng.

Applicants' pending Design U.S. Appl. No. 29/427,553, filed Jul. 19, 2012 naming inventors Phil Rioux, Shiyong Zhang and Yichong Zeng.

* cited by examiner

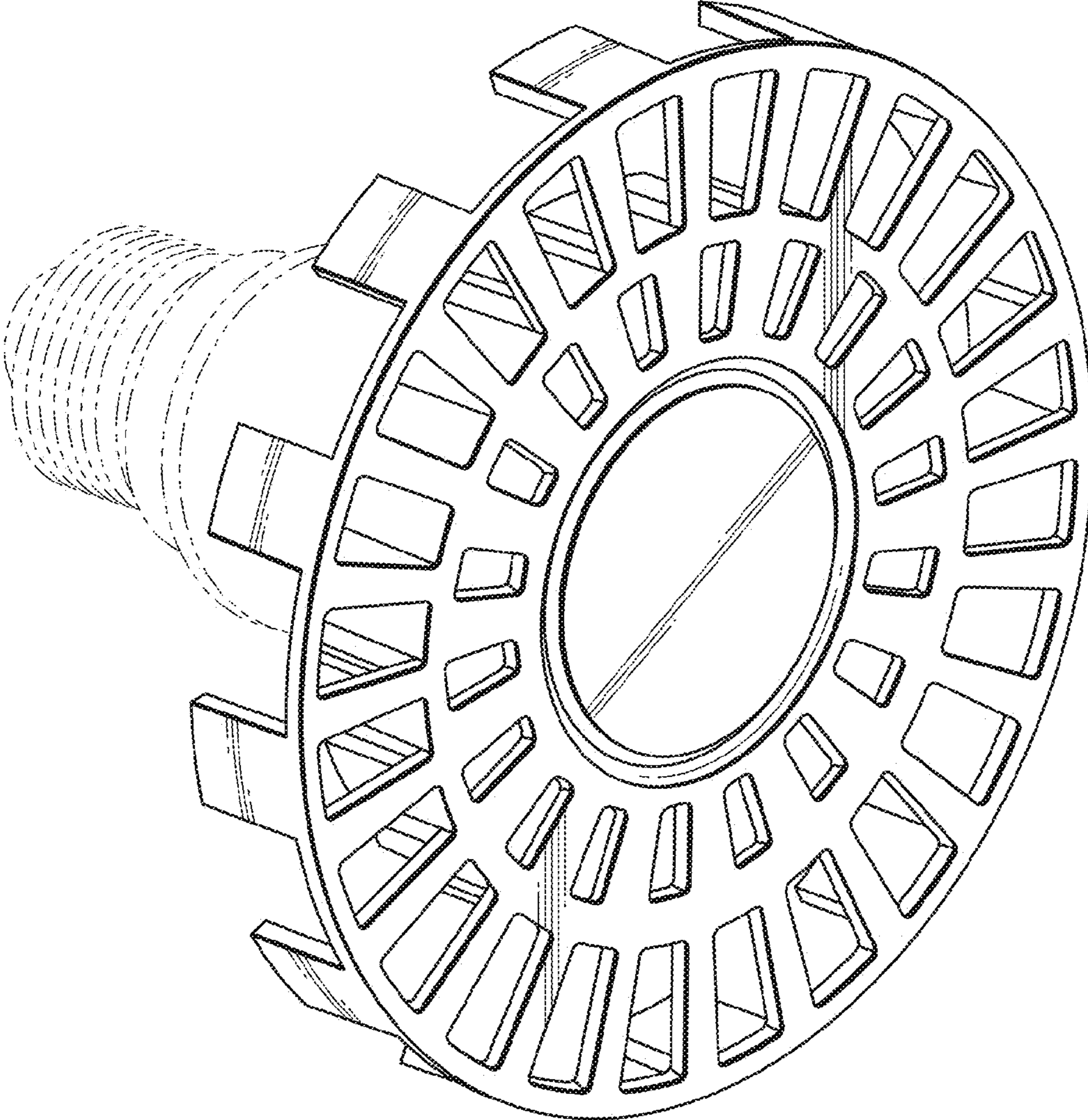


FIG. 1

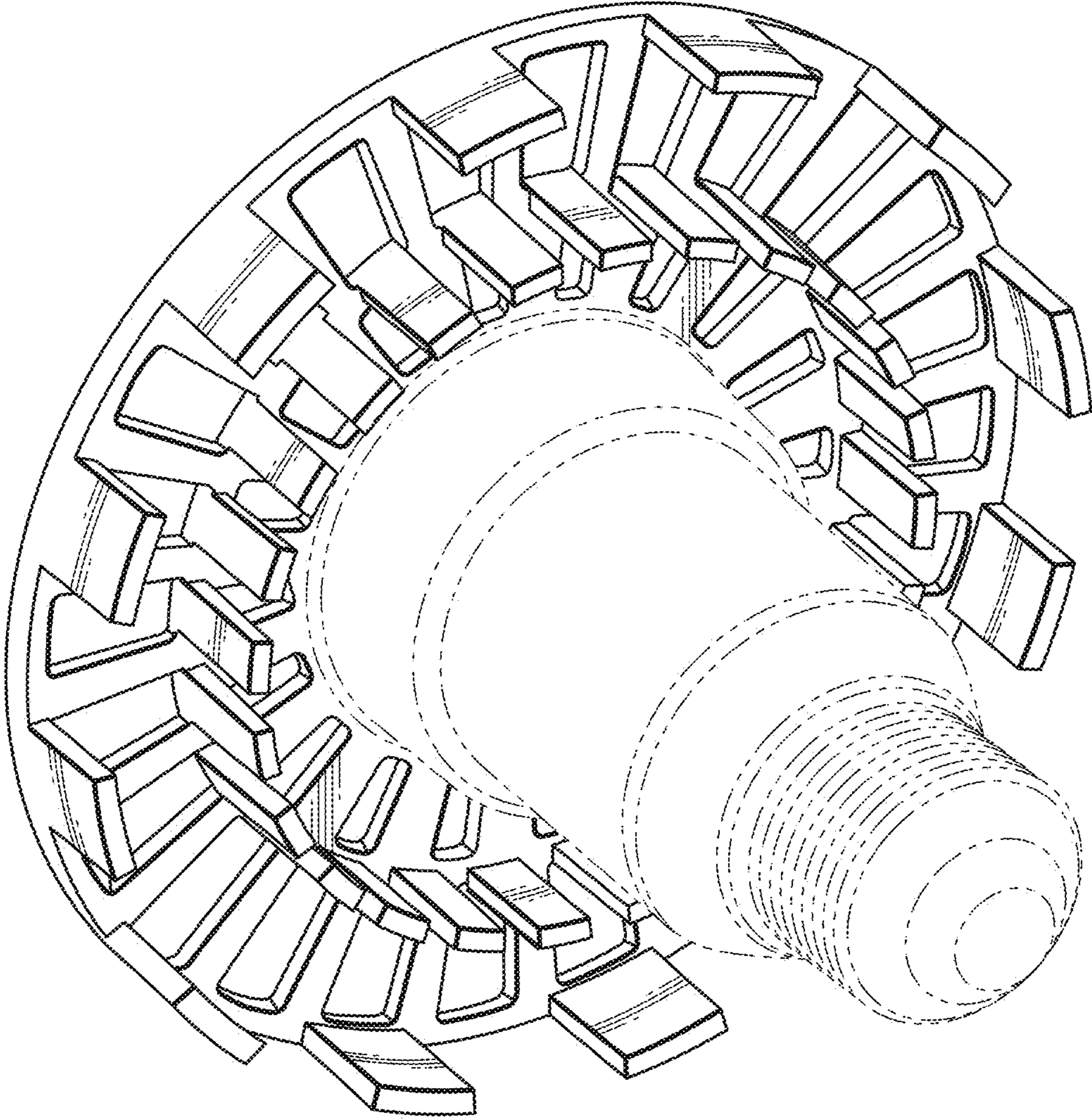


FIG. 2

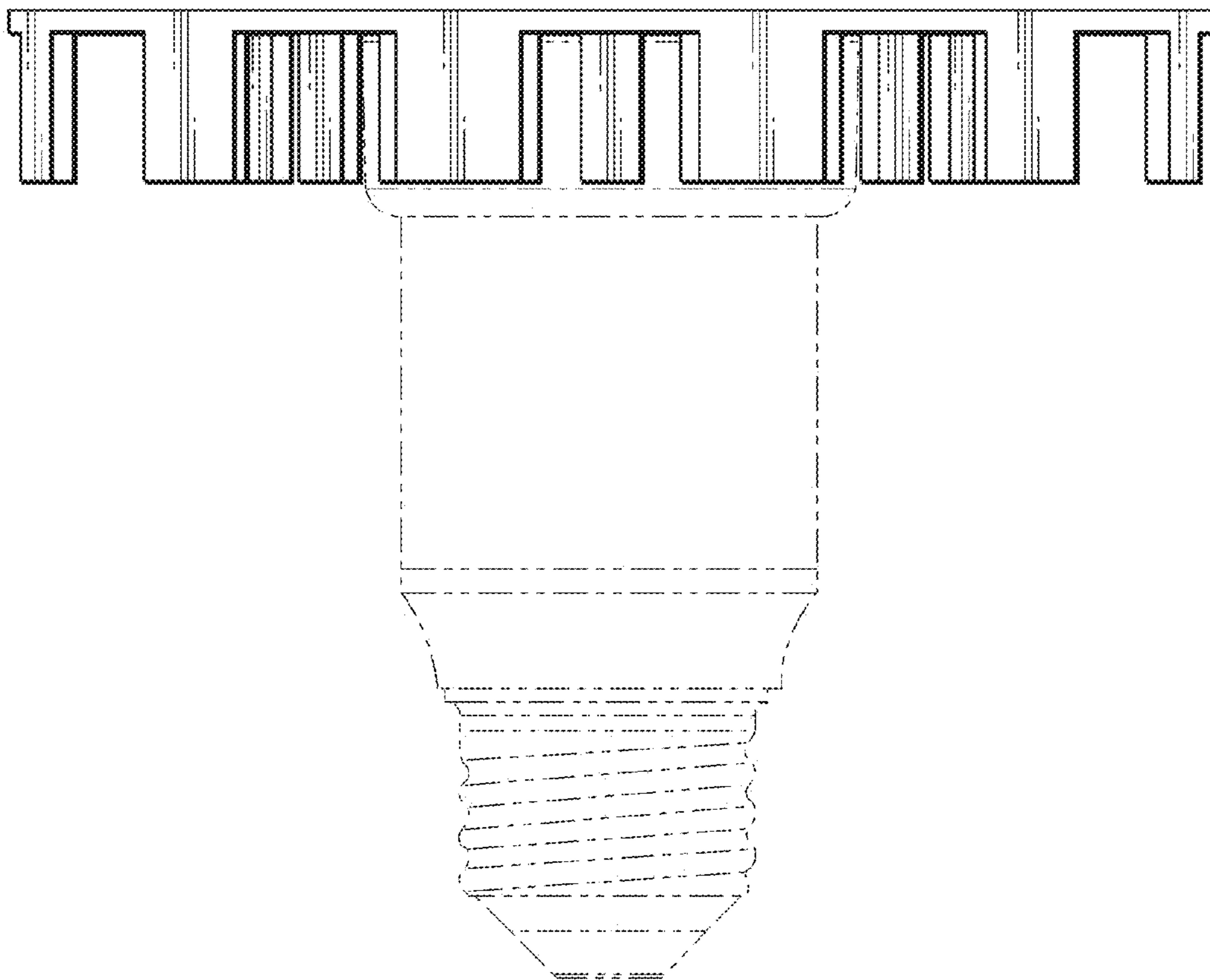


FIG. 3

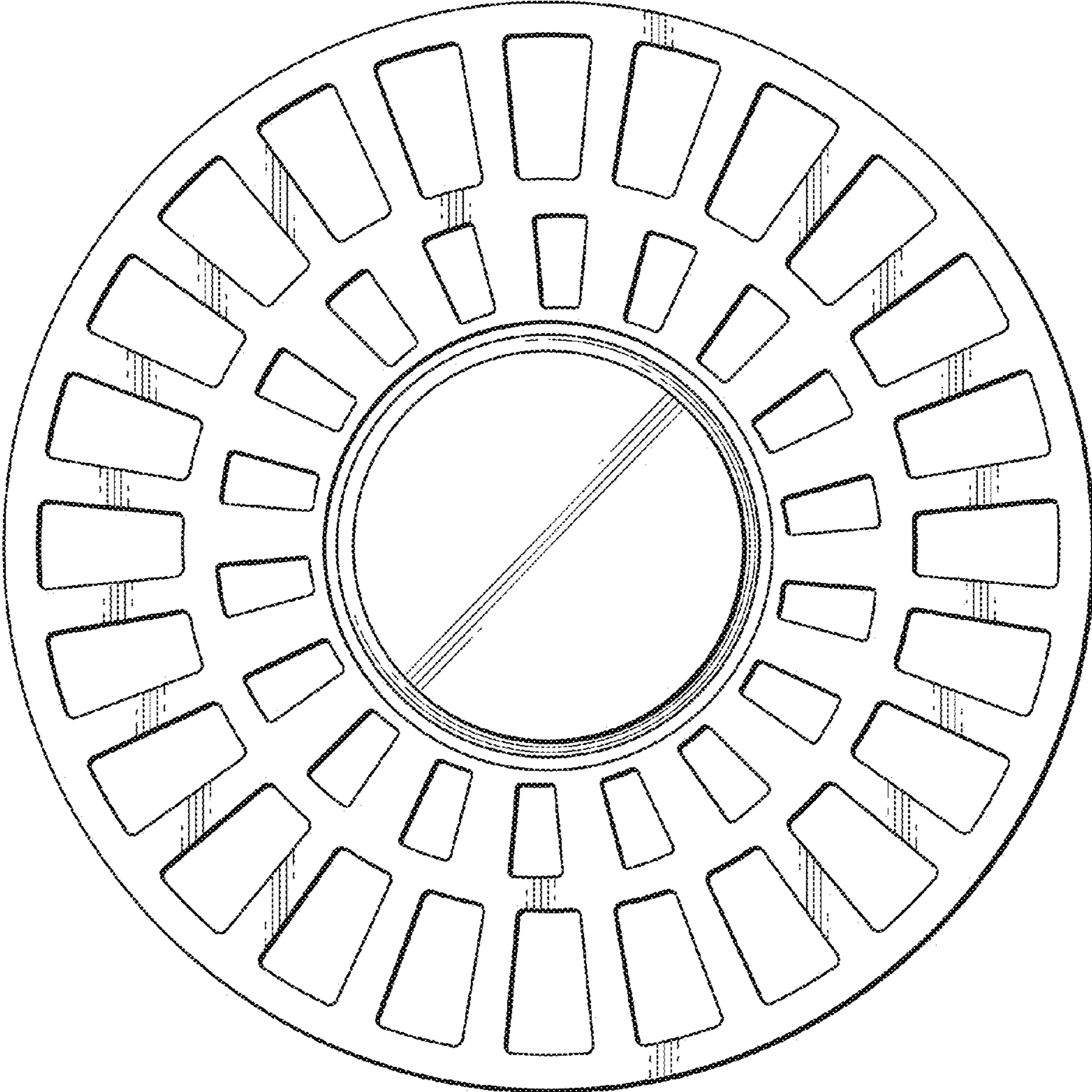


FIG. 4

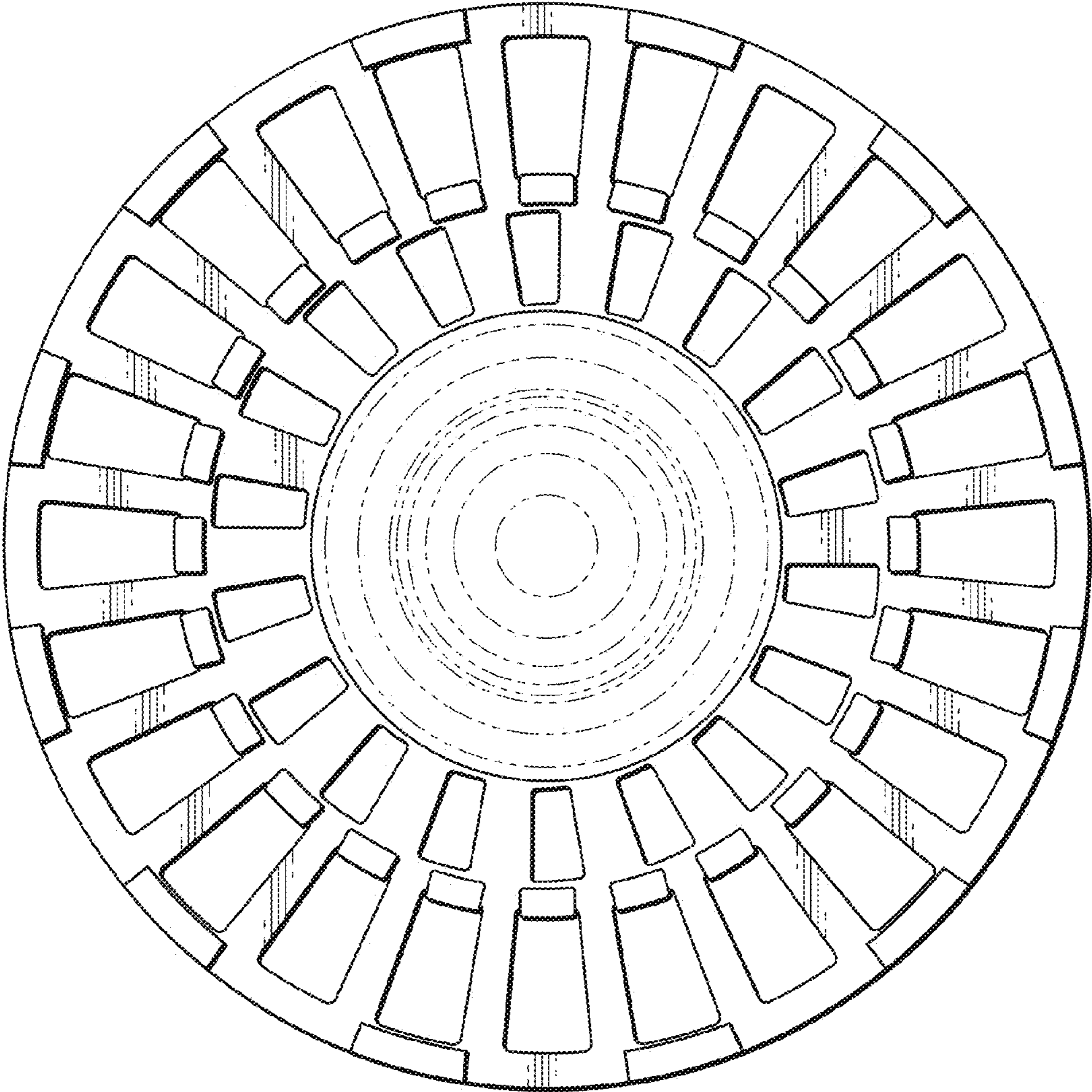


FIG. 5