

US00D695926S

(12) **United States Design Patent**
Li

(10) **Patent No.:** **US D695,926 S**
(45) **Date of Patent:** **** Dec. 17, 2013**

(54) **LED LAMP**

(71) Applicant: **Shenzhen Wanjia Lighting Co., Ltd.,**
Shenzhen (CN)

(72) Inventor: **Fei Li, Shenzhen (CN)**

(73) Assignee: **Shenzhen Wanjia Lighting Co., Ltd.,**
Shenzhen (CN)

(**) Term: **14 Years**

(21) Appl. No.: **29/448,384**

(22) Filed: **Mar. 12, 2013**

(30) **Foreign Application Priority Data**

Sep. 20, 2012 (CN) 2012 3 0451393

(51) **LOC (9) Cl.** **26-04**

(52) **U.S. Cl.**
USPC **D26/2**

(58) **Field of Classification Search**
USPC D26/1-4; 313/313, 315, 316, 317, 318,
313/493; 315/52, 53, 56, 57, 58

See application file for complete search history.

(56) **References Cited**

U.S. PATENT DOCUMENTS

D581,556 S *	11/2008	To et al.	D26/2
D600,367 S *	9/2009	Bertram et al.	D26/2
D601,278 S *	9/2009	Takahashi	D26/2
D617,918 S *	6/2010	Yamamoto et al.	D26/2
D684,709 S *	6/2013	Boomgaarden et al.	D26/2

* cited by examiner

Primary Examiner — Marcus Jackson

(74) *Attorney, Agent, or Firm* — Hamre, Schumann, Mueller & Larson, P.C.

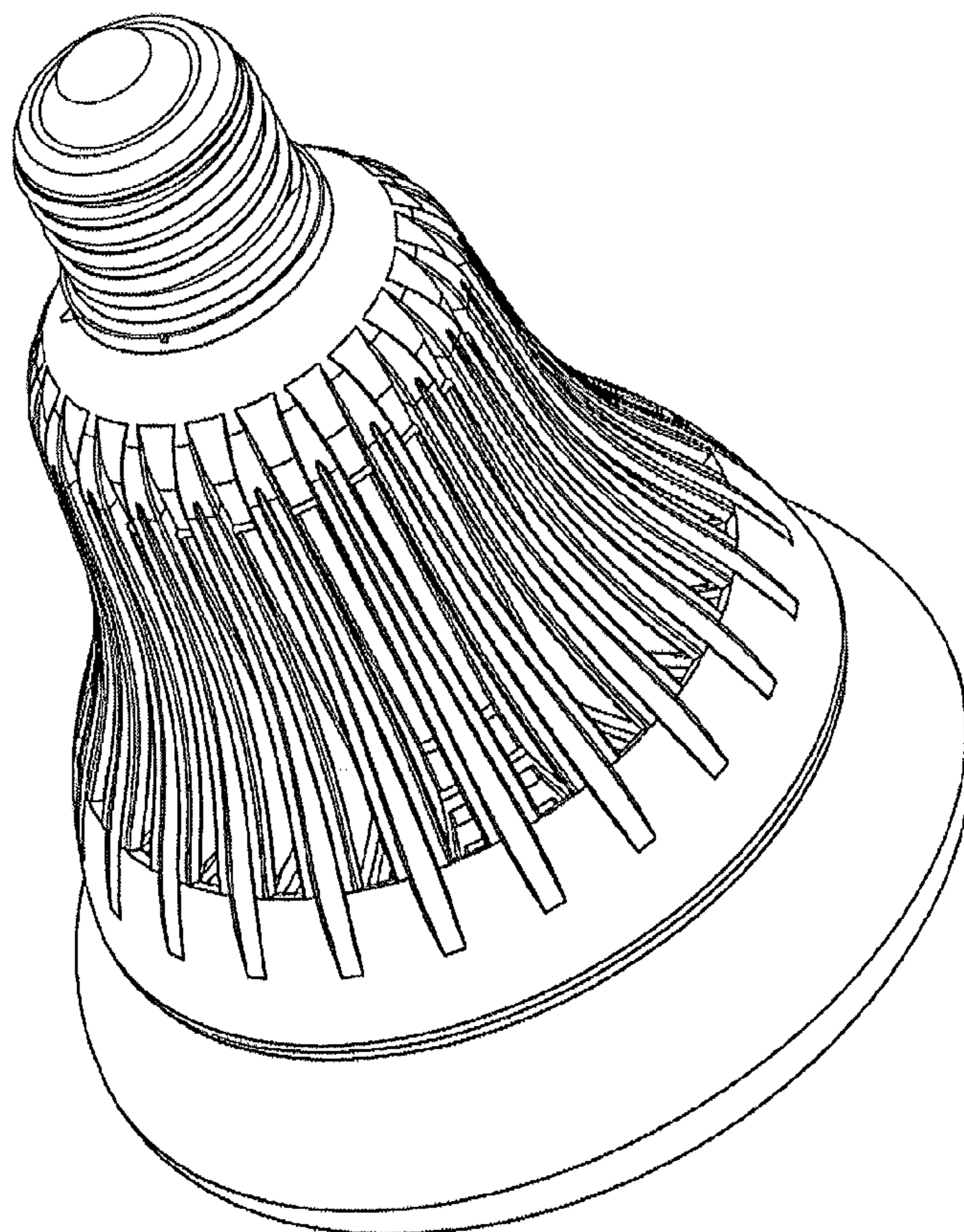
(57) **CLAIM**

The ornamental design for a “LED lamp,” as shown and described.

DESCRIPTION

FIG. 1 is a front, top and right side perspective view of a card reader showing our new design;
FIG. 2 is a front elevational view thereof;
FIG. 3 is a rear elevational view thereof;
FIG. 4 is a left side elevational view thereof;
FIG. 5 is a right side elevational view thereof;
FIG. 6 is a top plan view thereof; and,
FIG. 7 is a bottom plan view thereof.

1 Claim, 6 Drawing Sheets



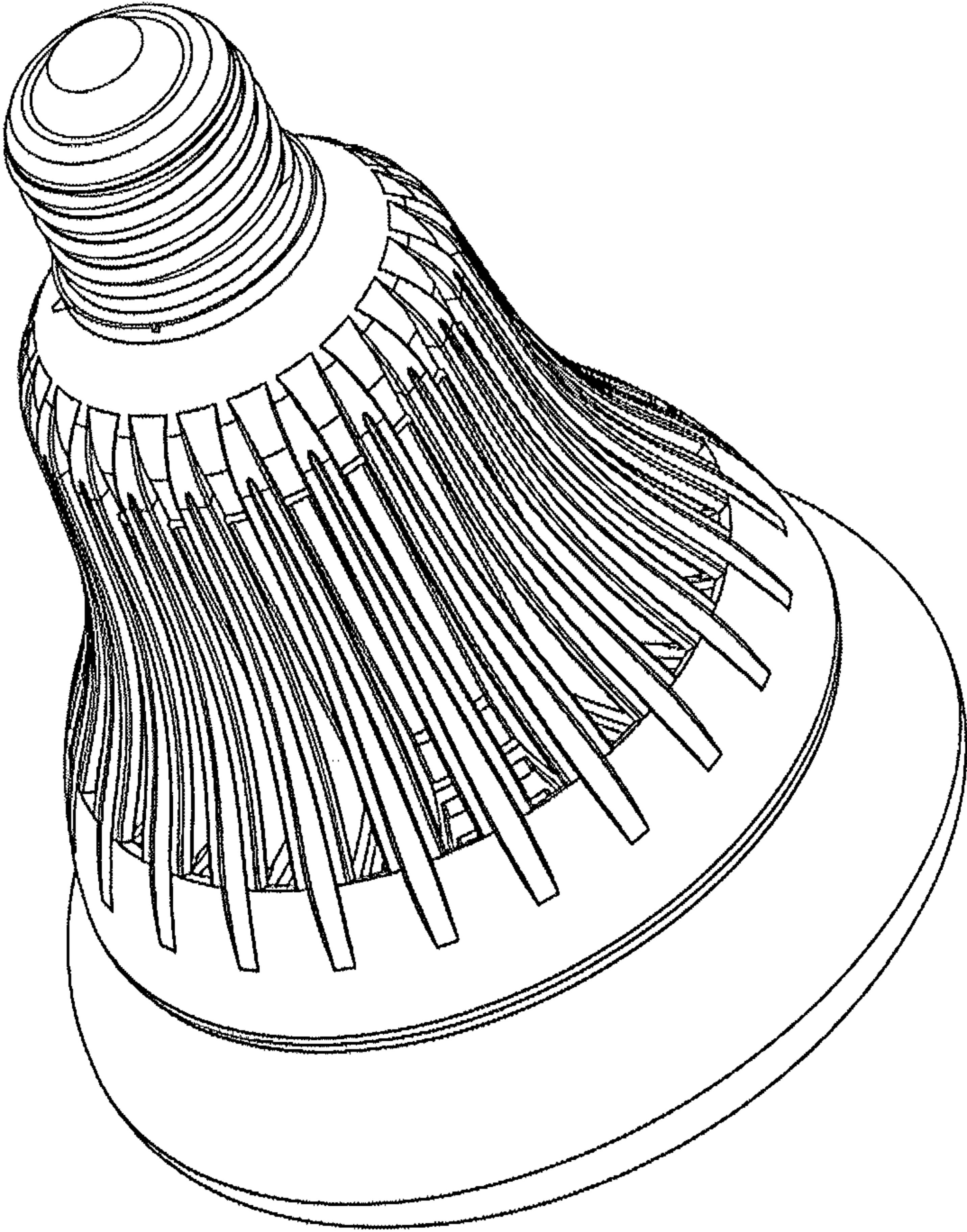


FIG. 1

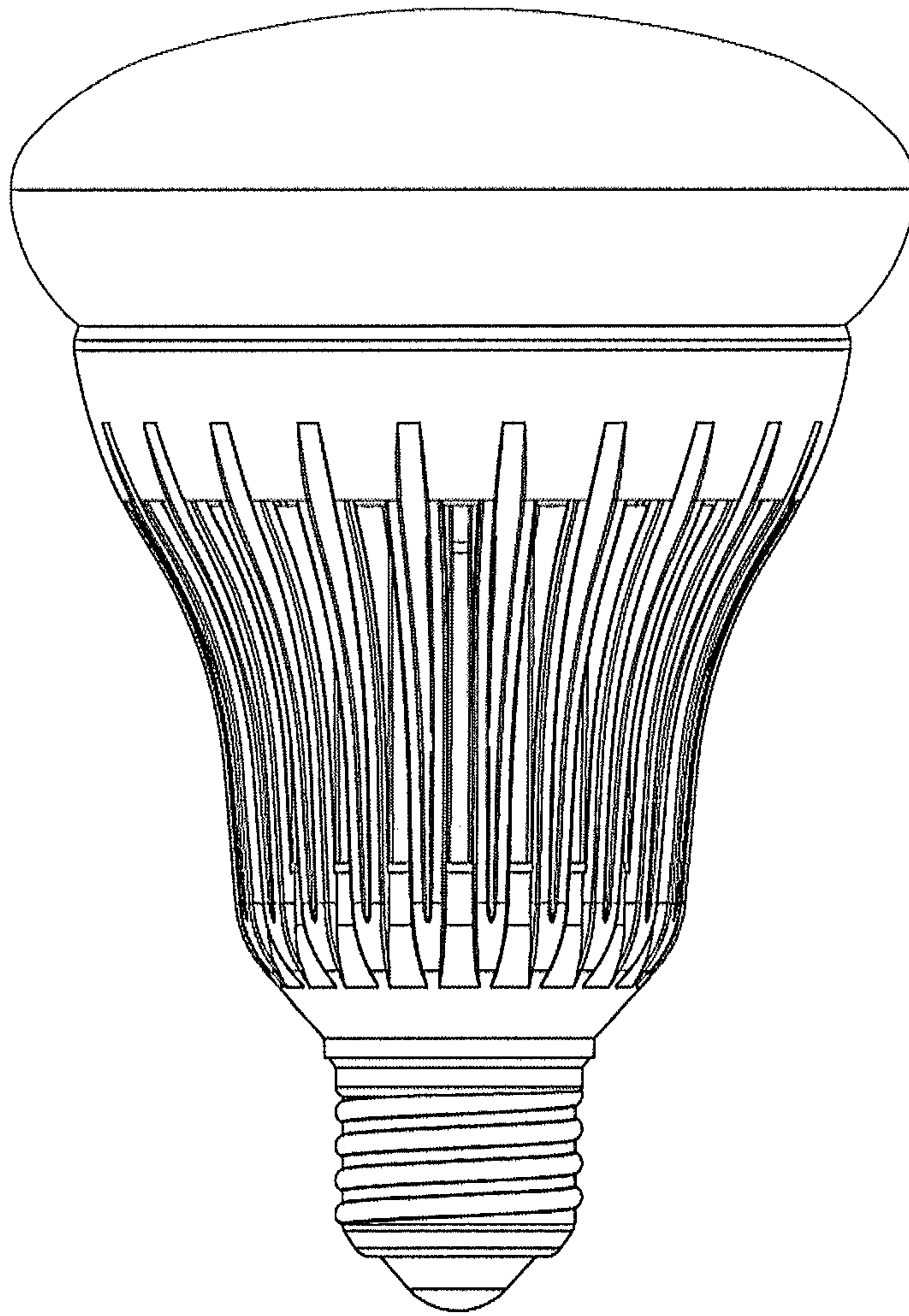


FIG. 2

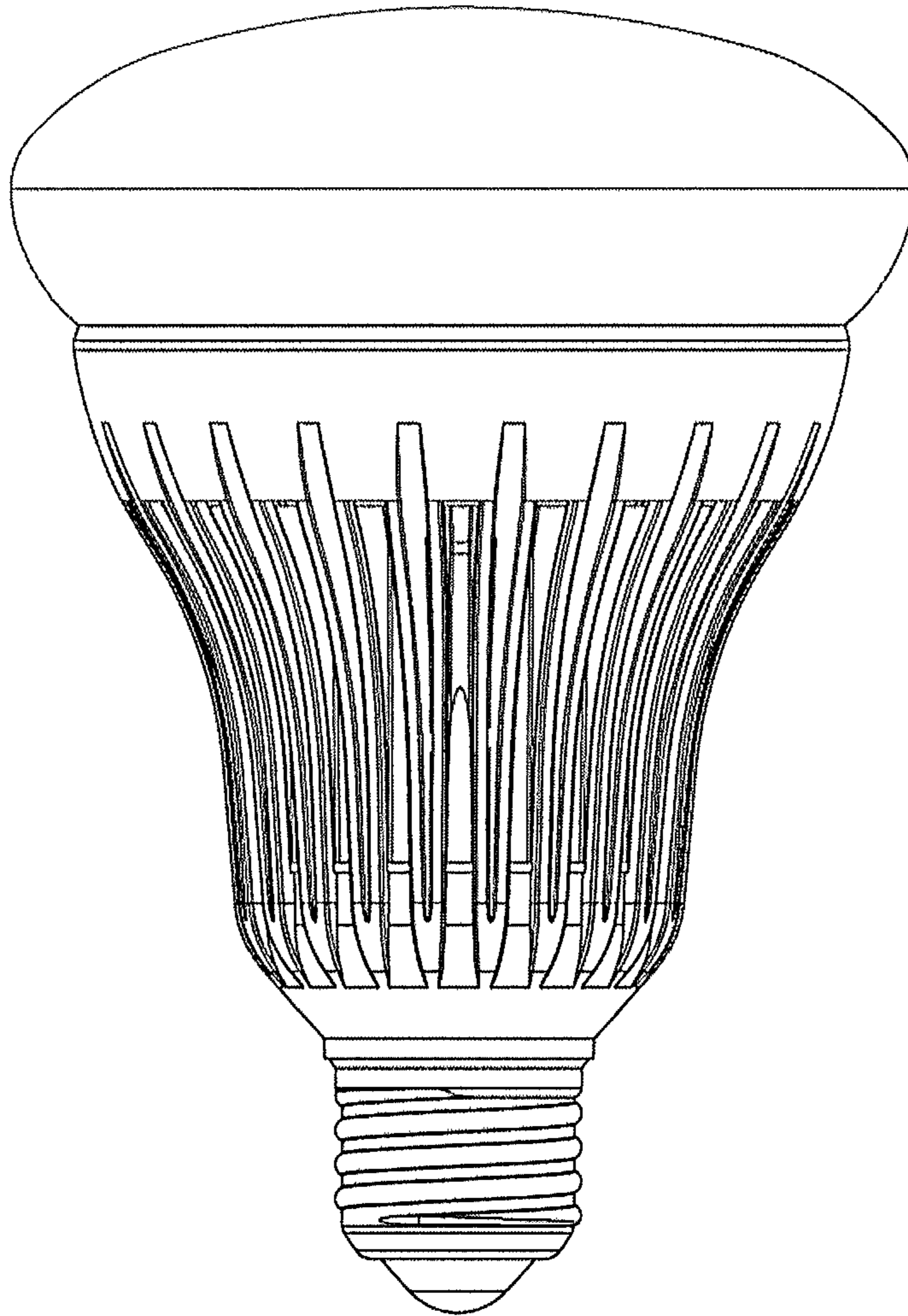


FIG. 3

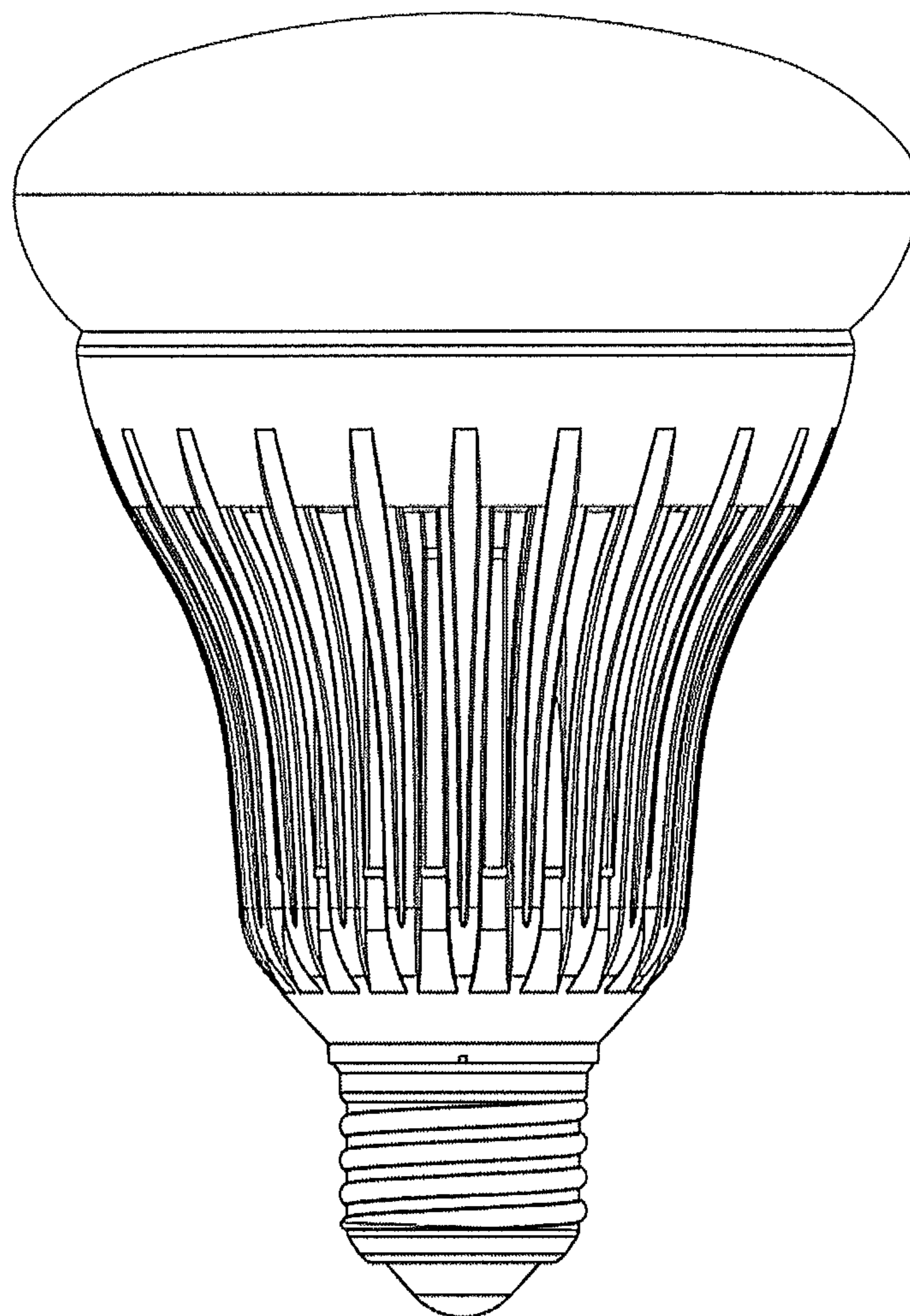


FIG. 4

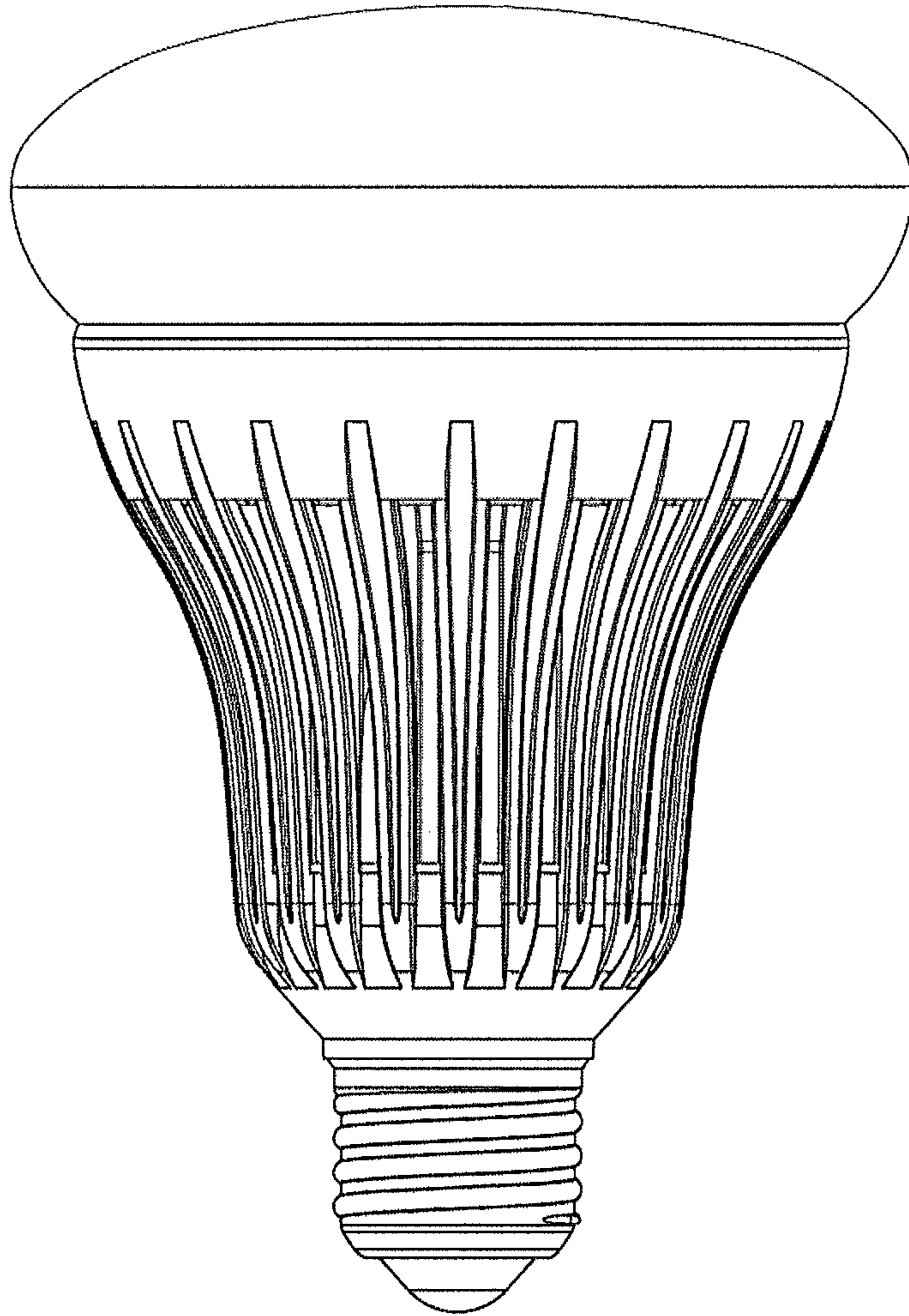


FIG. 5

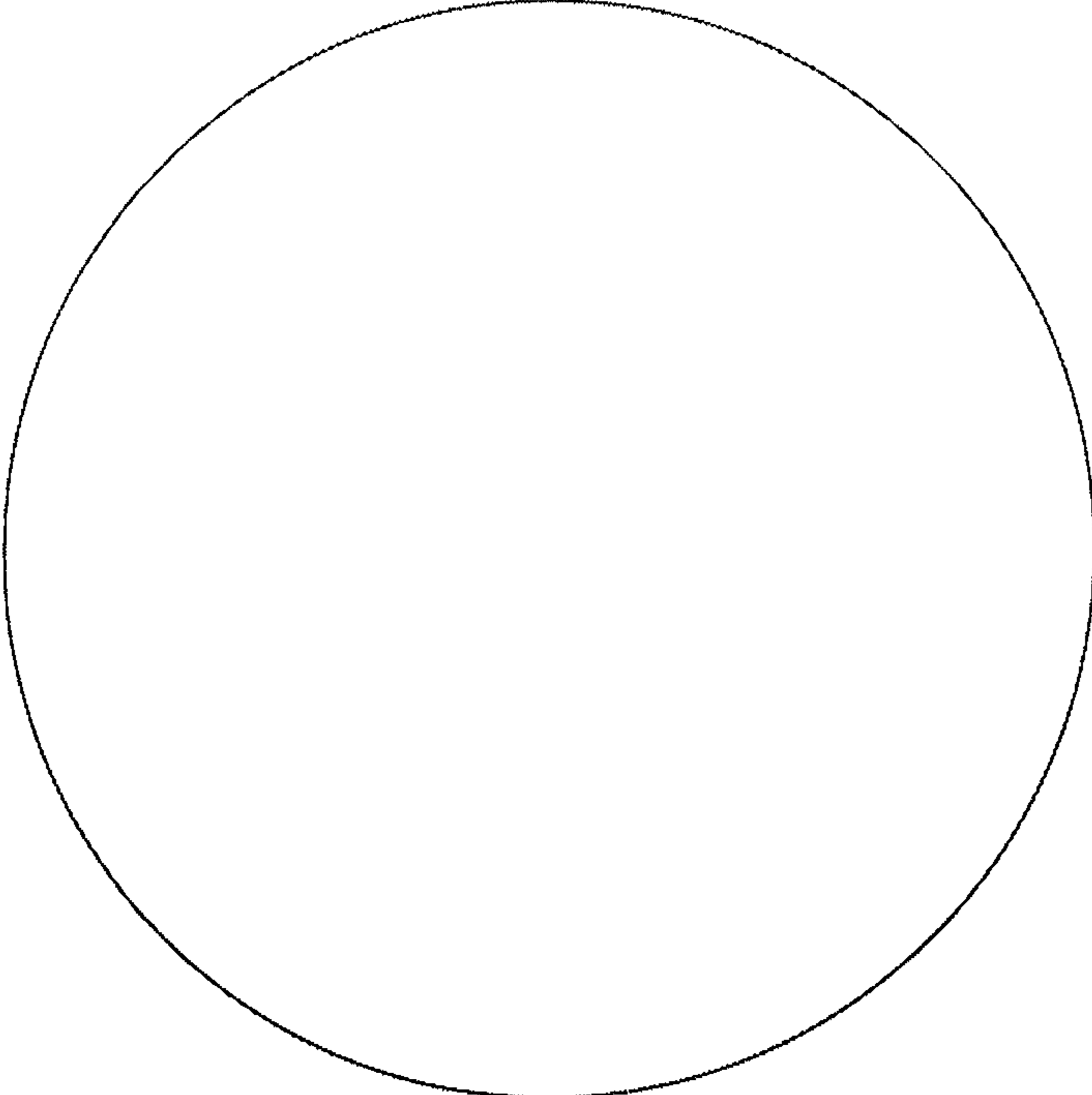


FIG. 6

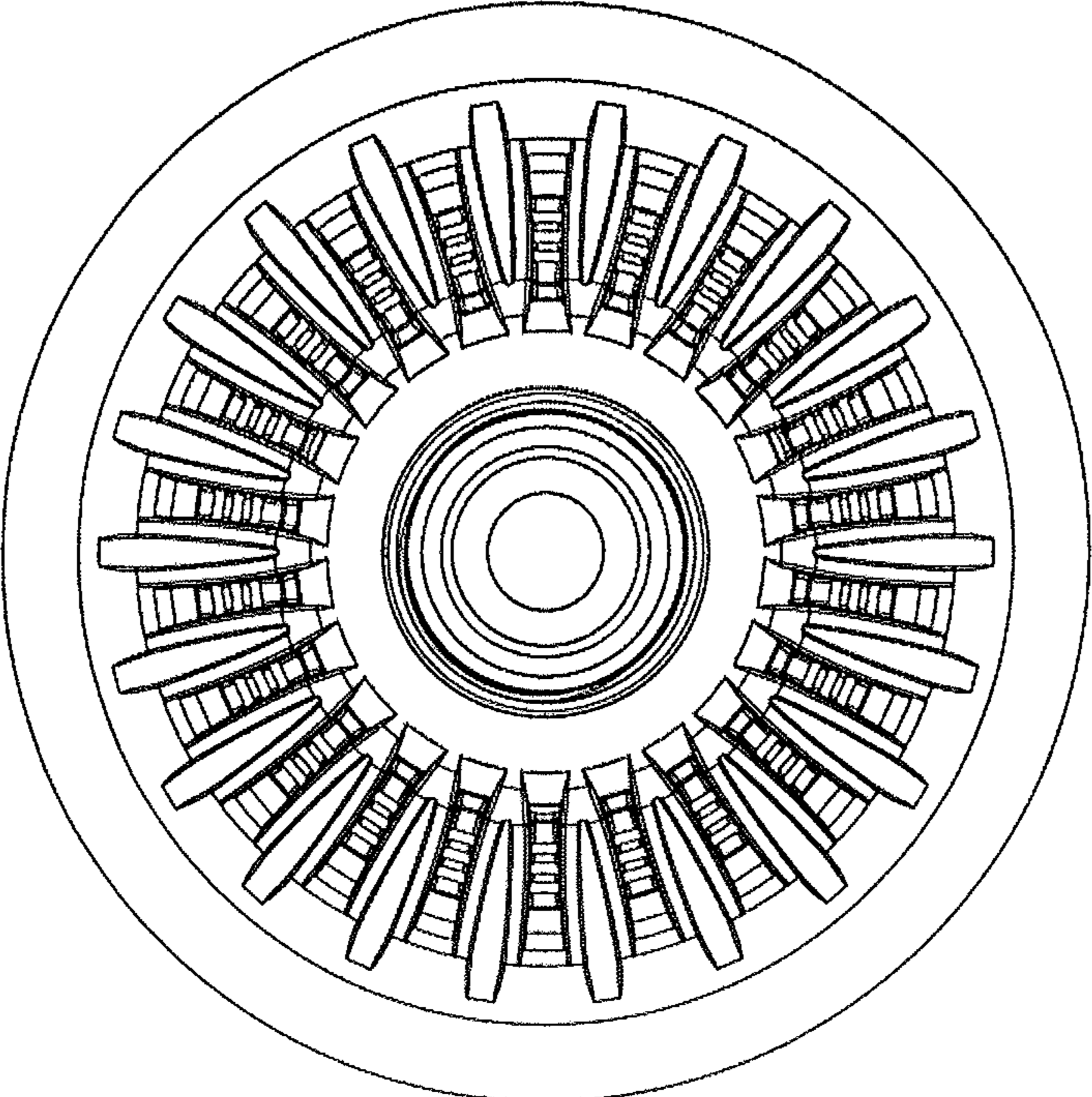


FIG. 7