



US00D695925S

(12) **United States Design Patent**
Ray et al.

(10) **Patent No.:** **US D695,925 S**
(45) **Date of Patent:** **** Dec. 17, 2013**

(54) **UNDERLAY PORTION OF A SHINGLE**

(75) Inventors: **Brian R. Ray**, Whitehouse, OH (US);
Lawrence J. Grubka, Westerville, OH (US)

(73) Assignee: **Owens Corning Intellectual Capital, LLC**, Toledo, OH (US)

(**) Term: **14 Years**

(21) Appl. No.: **29/416,001**

(22) Filed: **Mar. 16, 2012**

(51) **LOC (9) Cl.** **25-01**

(52) **U.S. Cl.**
USPC **D25/143**

(58) **Field of Classification Search**
USPC D25/143; 52/555, 554, 557, 558, 559,
52/560

See application file for complete search history.

(56) **References Cited**

U.S. PATENT DOCUMENTS

1,698,891	A	1/1929	Overbury	
1,795,913	A	3/1931	Weaver	
1,819,717	A	8/1931	Mangano	
3,613,328	A	10/1971	Morgan et al.	
3,894,376	A	7/1975	Shearer	
3,913,294	A	10/1975	Freiborg	
4,322,928	A	4/1982	Freiborg	
4,434,589	A	3/1984	Freiborg	
4,672,790	A	6/1987	Freiborg	
5,094,042	A	3/1992	Freiborg	
5,247,771	A	9/1993	Poplin	
5,471,801	A	12/1995	Kupczyk et al.	
D379,672	S	6/1997	Lamb et al.	
D415,848	S *	10/1999	Plath et al.	D25/143
6,709,994	B2	3/2004	Miller et al.	
6,748,714	B2	6/2004	Elliott	
D644,753	S	9/2011	Elliott	

2002/0189189	A1	12/2002	Kupczyk	
2004/0055240	A1	3/2004	Kiik et al.	
2004/0083672	A1	5/2004	Penner	
2004/0103611	A1 *	6/2004	King et al.	52/554
2004/0123545	A1	7/2004	Phillips	
2005/0055902	A1	3/2005	Pressutti et al.	
2006/0201094	A1	9/2006	Lassiter	
2009/0229210	A1 *	9/2009	Binkley et al.	52/543

OTHER PUBLICATIONS

Office action from U.S. Appl. No. 13/422,331 dated Apr. 29, 2013.

* cited by examiner

Primary Examiner — Doris Clark

(74) *Attorney, Agent, or Firm* — Calfee, Halter & Griswold LLP

(57) **CLAIM**

The ornamental design for a underlay portion of a shingle, as shown and described.

DESCRIPTION

FIG. 1 is a front perspective view of a first embodiment of a laminated shingle having an overlay portion and an underlay portion, the underlay portion illustrated in an unfolded position.

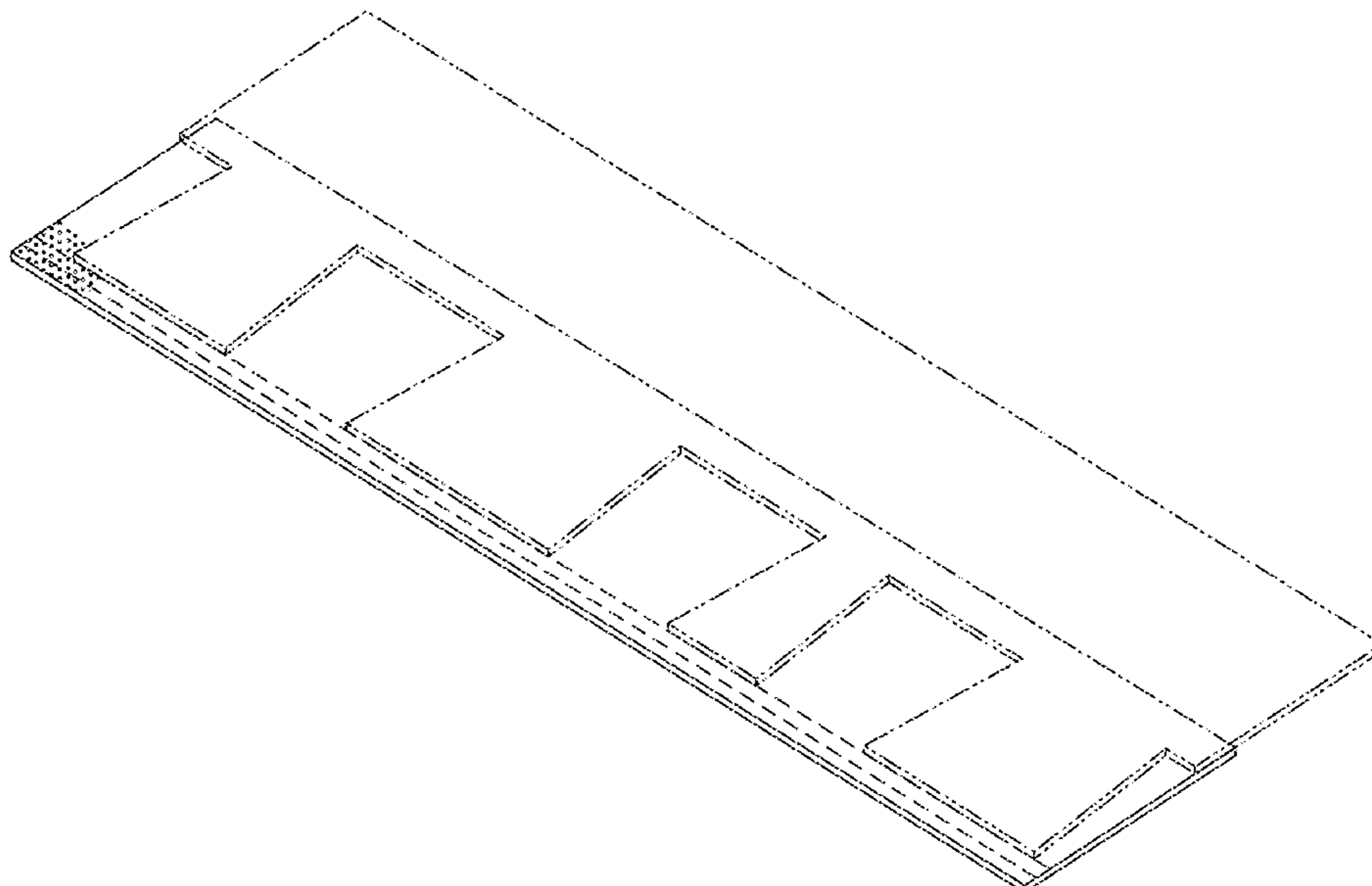
FIG. 2 is a front perspective view of the first embodiment of the laminated shingle illustrated in FIG. 1, the underlay portion illustrated in a folded position.

FIG. 3 is an end view of the shingle illustrated in FIG. 2, wherein the other end view is a mirror image.

FIG. 4 is front perspective view of a second embodiment of a laminated shingle according to the invention, the laminated shingle having an overlay portion and an underlay portion, the underlay portion illustrated in a folded position; and,

FIG. 5 is an end view of the shingle illustrated in FIG. 4 wherein the other end view is a mirror image.

1 Claim, 4 Drawing Sheets



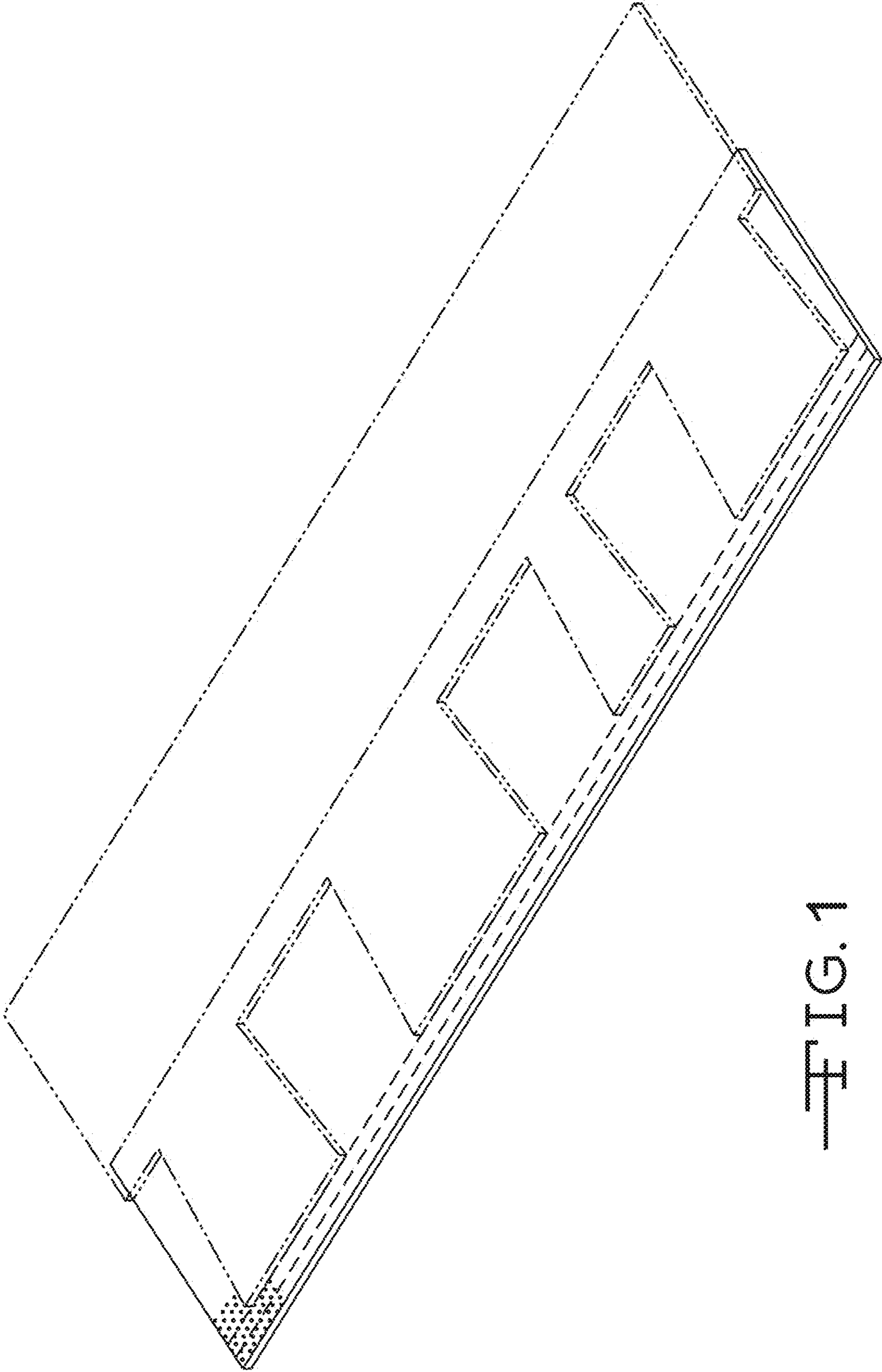


FIG. 1

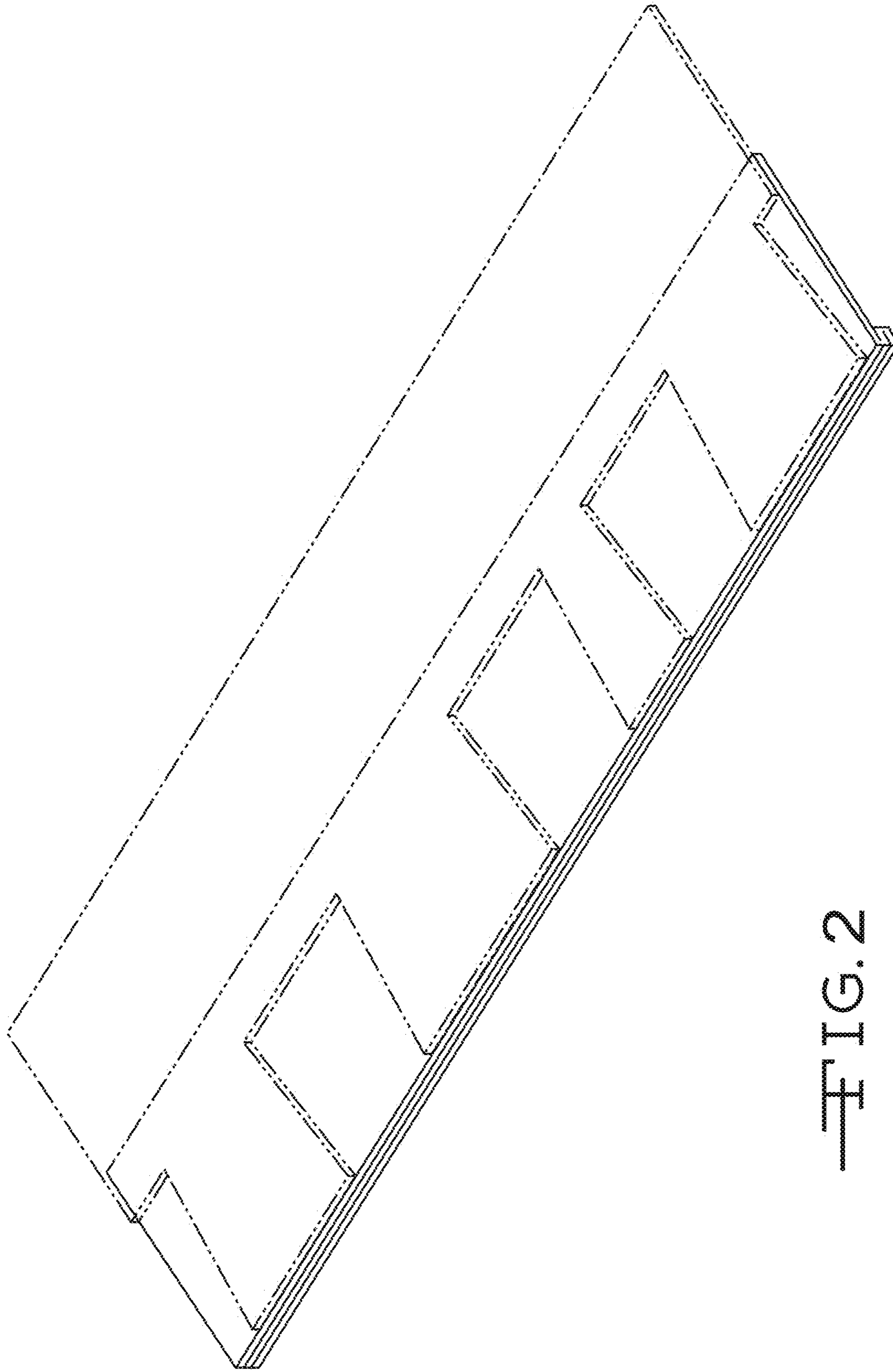


FIG. 2



FIG. 3

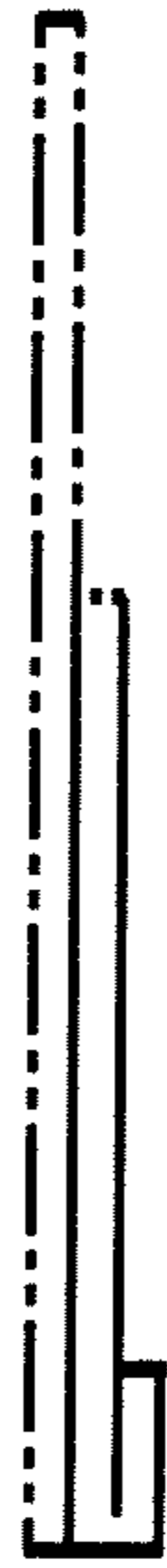
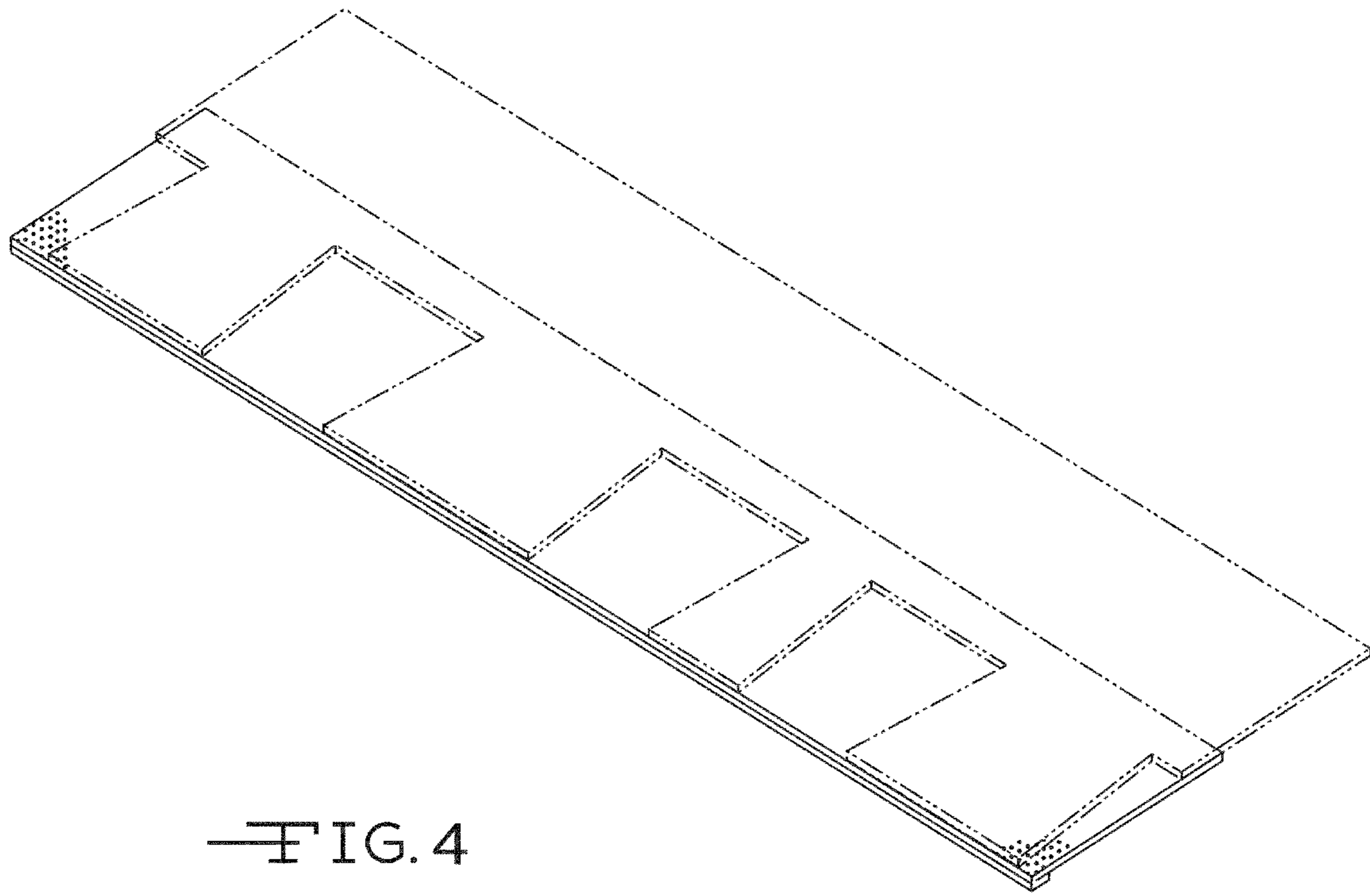


FIG. 5



—FIG. 4