



US00D695906S

(12) **United States Design Patent**
Okuda

(10) **Patent No.:** **US D695,906 S**

(45) **Date of Patent:** **** Dec. 17, 2013**

(54) **PHIAL RETAINER FOR LIQUID MEDICINE MIXER**

8,016,218 B1 * 9/2011 Friedman 241/175
2011/0116971 A1 * 5/2011 Nagai et al. 422/68.1
2012/0237416 A1 * 9/2012 Lockwood et al. 422/561

(71) Applicant: **Panasonic Corporation**, Kadoma (JP)

(72) Inventor: **Akinobu Okuda**, Nara (JP)

(73) Assignee: **Panasonic Corporation**, Osaka (JP)

(**) Term: **14 Years**

(21) Appl. No.: **29/439,417**

(22) Filed: **Dec. 11, 2012**

(30) **Foreign Application Priority Data**

Jun. 11, 2012 (JP) 2012-013750

(51) **LOC (9) Cl.** **24-00**

(52) **U.S. Cl.**
USPC **D24/220**

(58) **Field of Classification Search**
USPC D24/220, 221, 216, 224, 231, 232, 197,
D24/110, 133; D23/209, 365; D7/679, 682,
D7/372-374, 383, 384, 597, 400, 191, 545,
D7/509, 316, 565, 667, 317, 587; 241/168,
241/169, 169.1-169.2, 199.11, 273.2, 286,
241/262, 136, 30; D15/5; 604/708;
134/158; 366/15, 110, 209, 211, 212,
366/214, 218, 337

See application file for complete search history.

(56) **References Cited**

U.S. PATENT DOCUMENTS

5,593,228 A * 1/1997 Tannenbaum 366/209
5,749,652 A * 5/1998 Brunn et al. 366/209
5,971,599 A * 10/1999 Bothers 366/142
7,204,637 B2 * 4/2007 Sherman et al. 366/214

OTHER PUBLICATIONS

<http://www.rim-molding.com/rim-molding/advantages-of-rim/> Jul. 24, 2013.*

<https://www.fishersci.ca/coupon.do?cid=2709375&lang=fr> Jul. 24, 2013.*

<http://www.heidolph-instruments.com/products/shakers-mixers/test-tube-shakers/> Jul. 24, 2013.*

<http://www.retsch.com/products/milling/mixer-mills/mm-400/> Jul. 8, 2013.*

* cited by examiner

Primary Examiner — Robert M Spear

Assistant Examiner — Rhea Shields

(74) *Attorney, Agent, or Firm* — Brinks Hofer Gilson & Lione

(57) **CLAIM**

I claim the ornamental design for a phial retainer for liquid medicine mixer, as shown and described.

DESCRIPTION

FIG. 1 is a top and front perspective view of a phial retainer for liquid medicine mixer of the present invention;

FIG. 2 is a front view thereof;

FIG. 3 is a rear view thereof;

FIG. 4 is a first side view thereof;

FIG. 5 is a second side view thereof;

FIG. 6 is a top view thereof; and,

FIG. 7 is a bottom view thereof.

The broken lines shown represent unclaimed subject matter and form no part of the claimed design. Additionally, the unevenly broken lines in FIG. 1 define the limits of the claimed design.

1 Claim, 7 Drawing Sheets

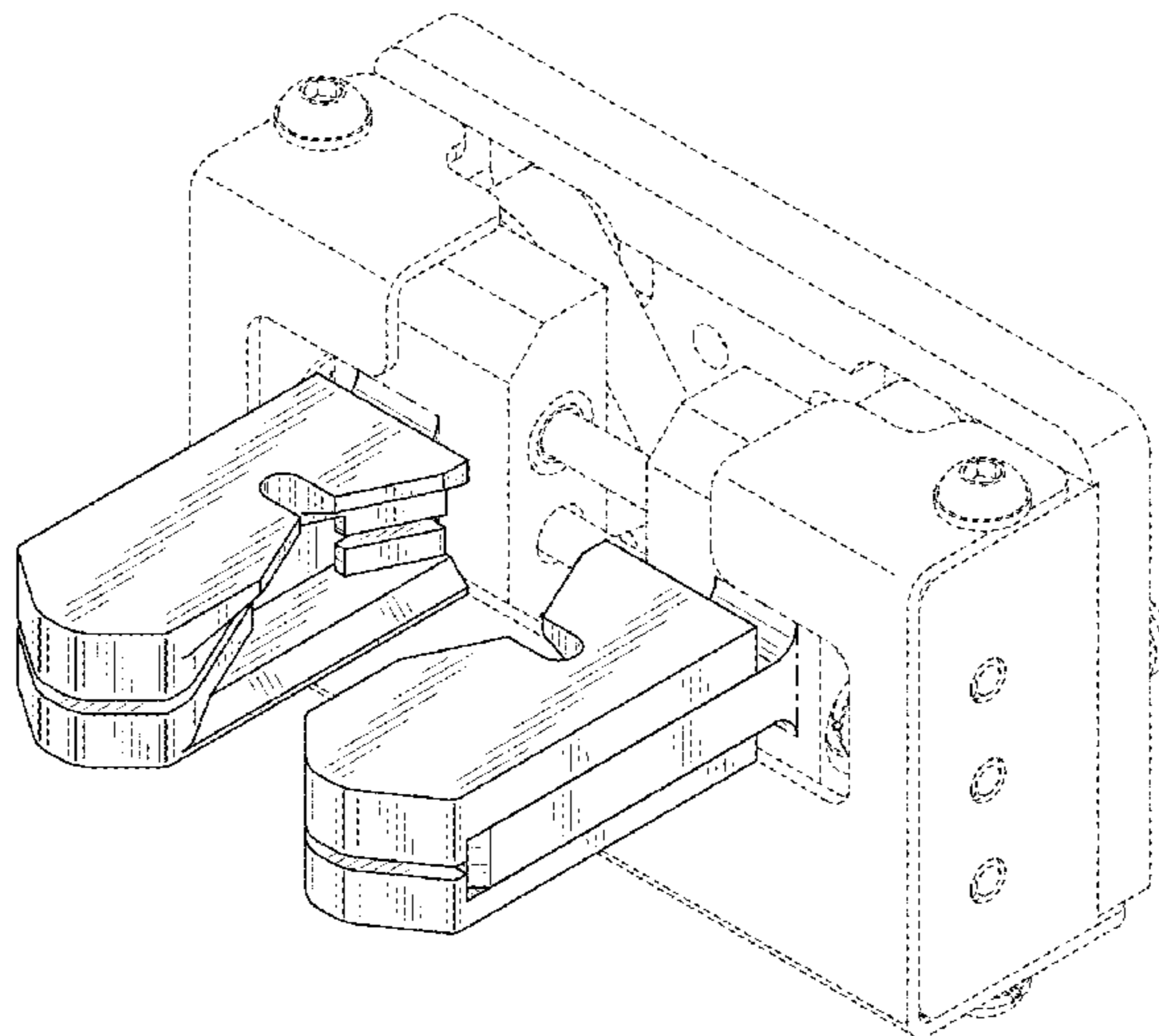


FIG.1

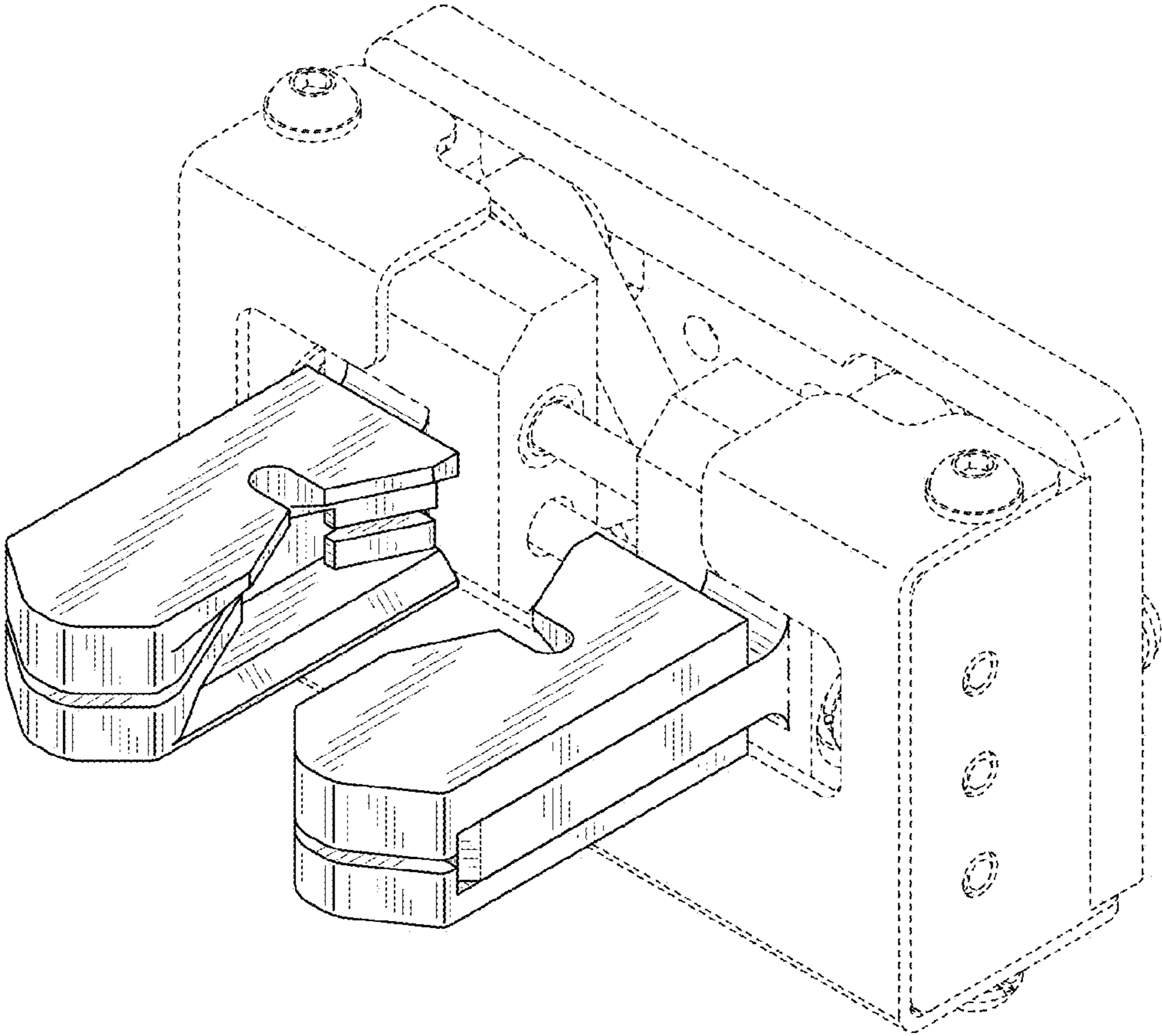


FIG.2

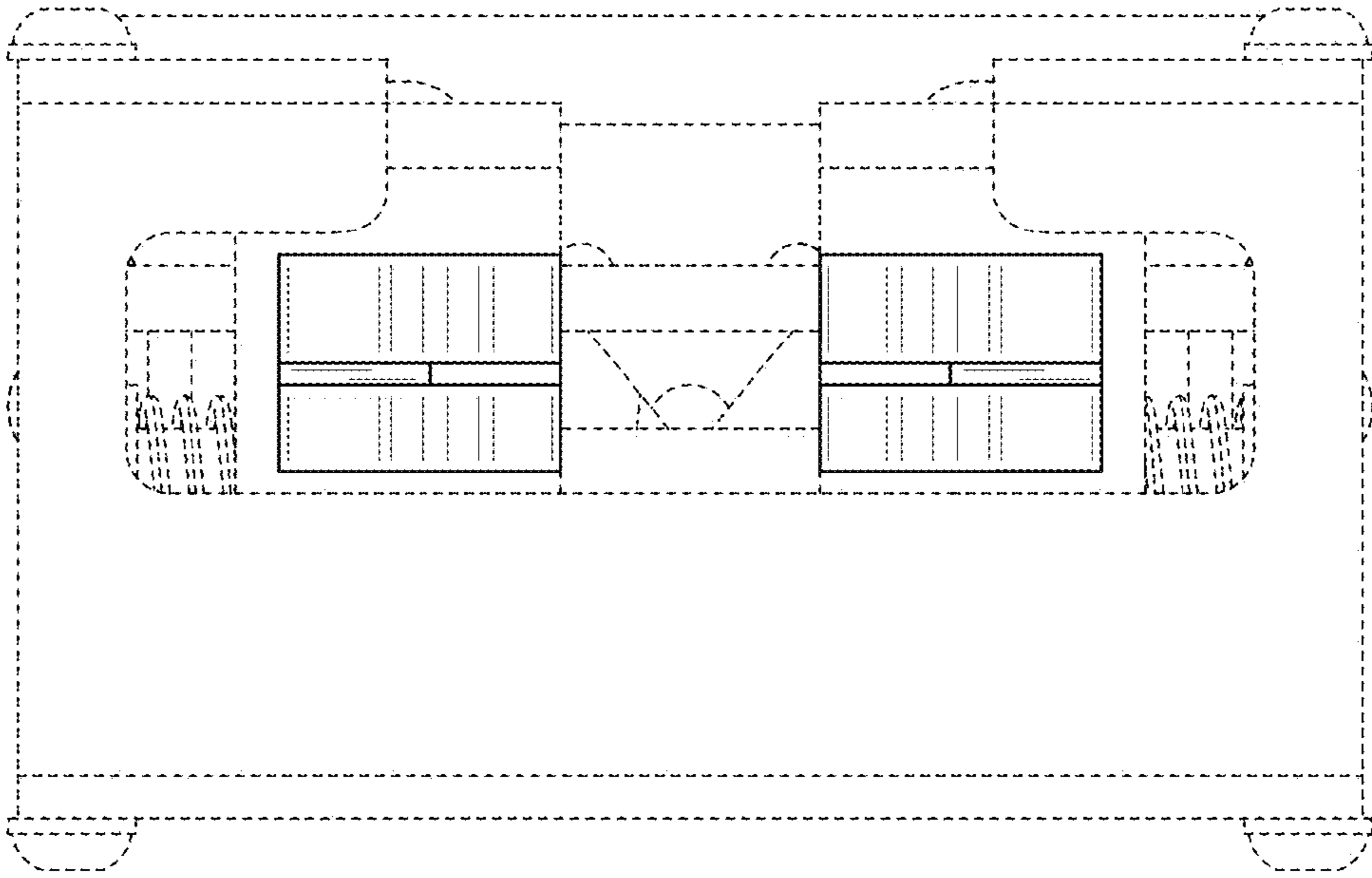


FIG.3

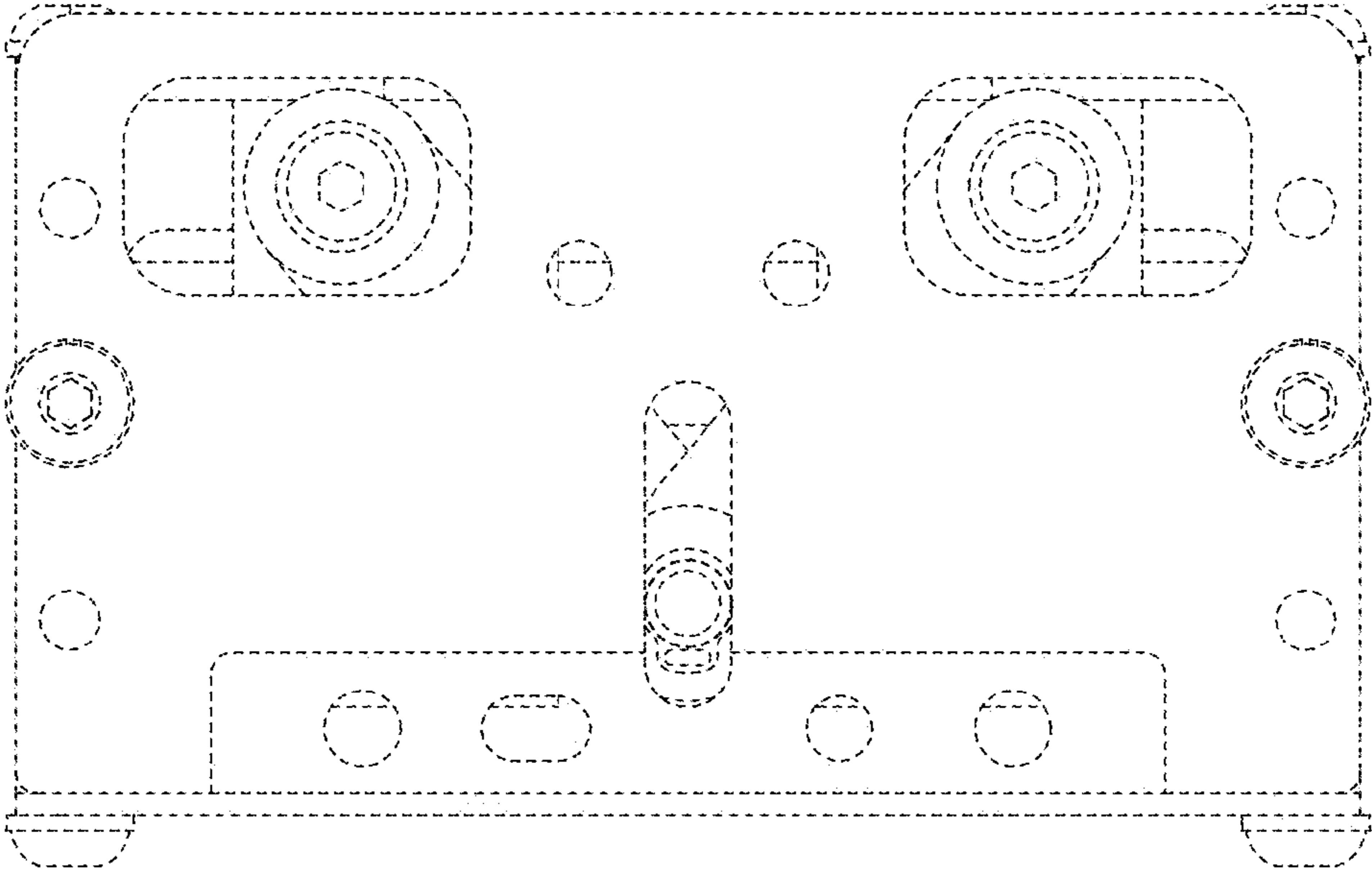


FIG.4

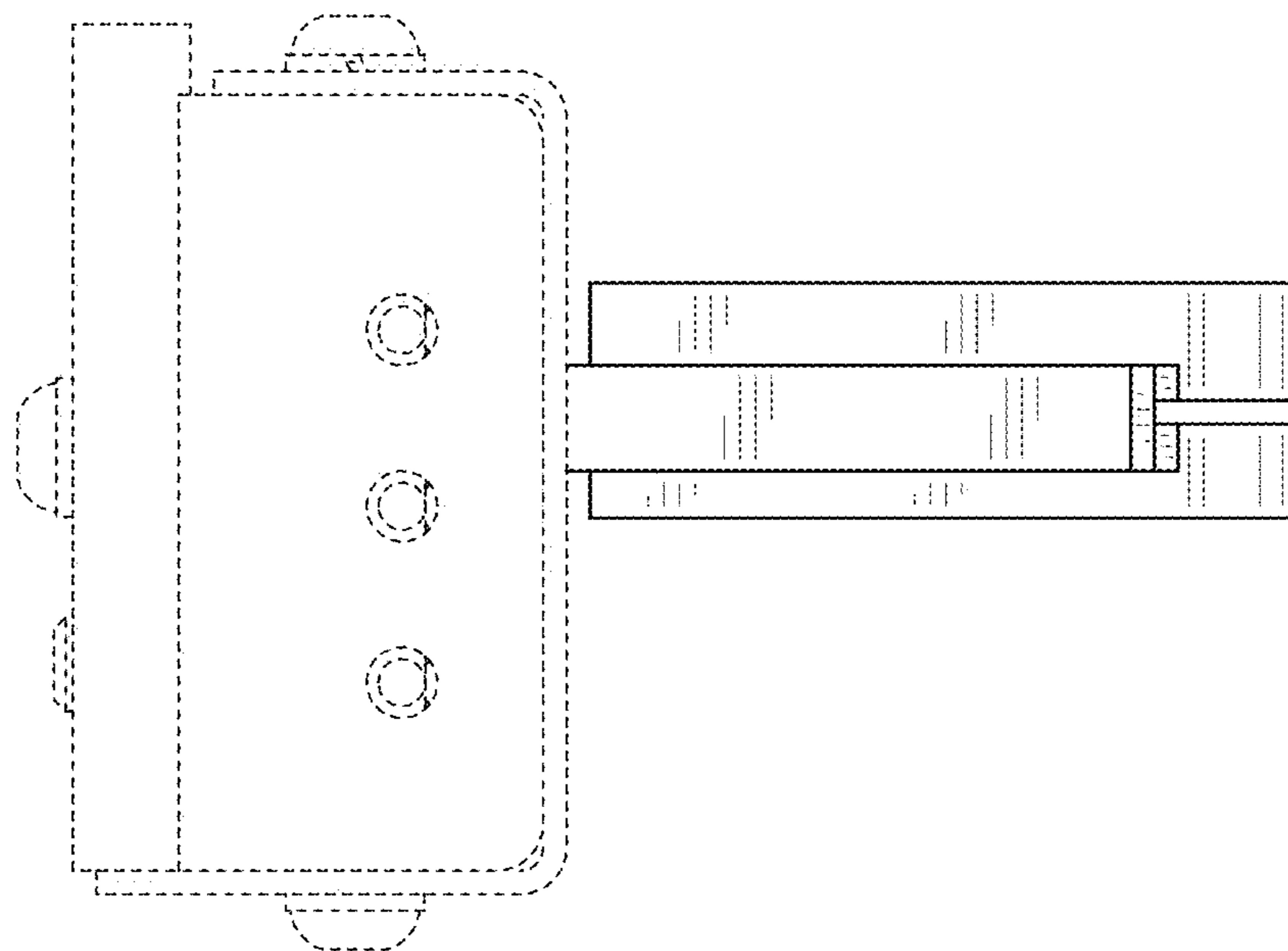


FIG.5

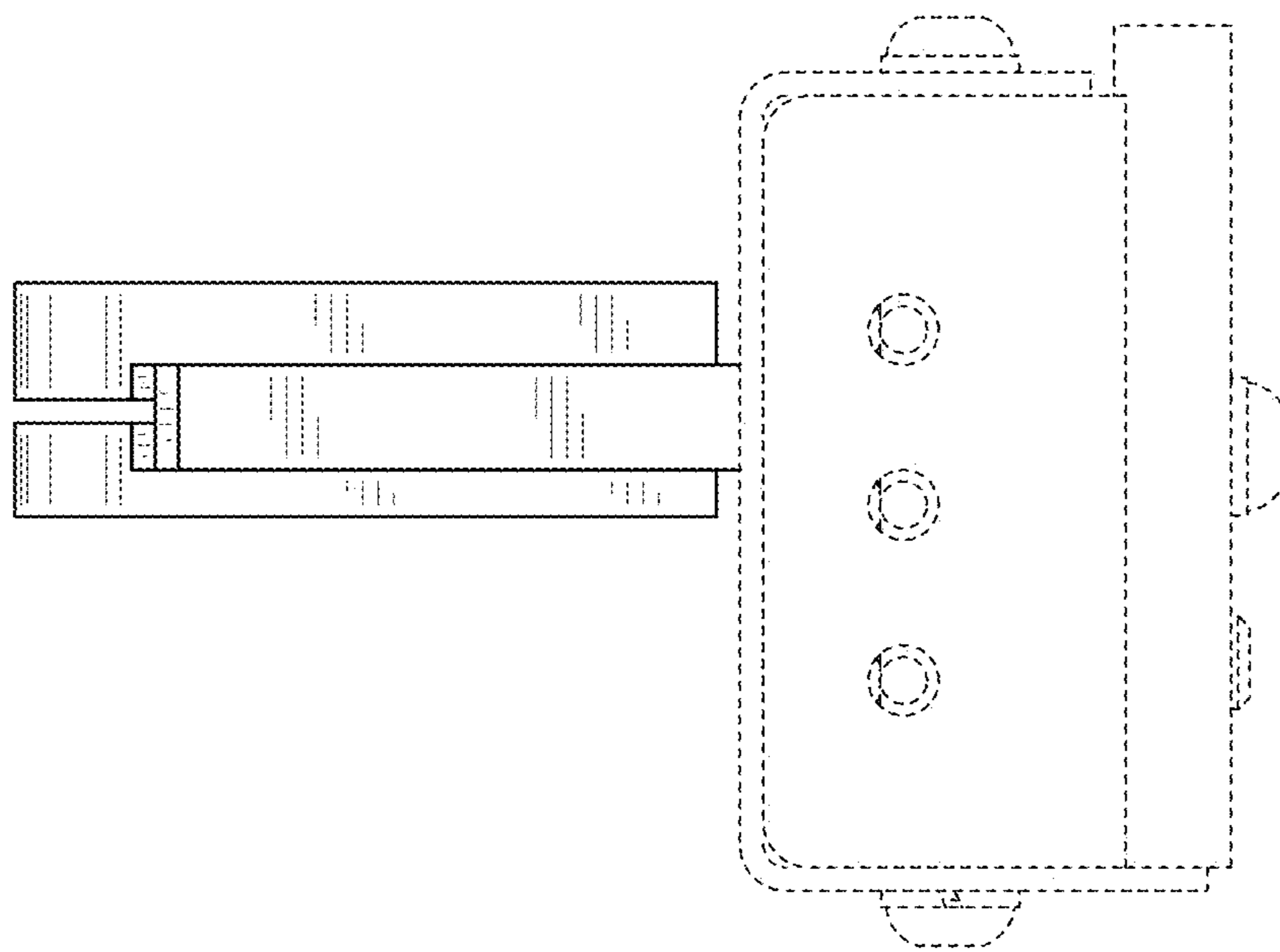


FIG.6

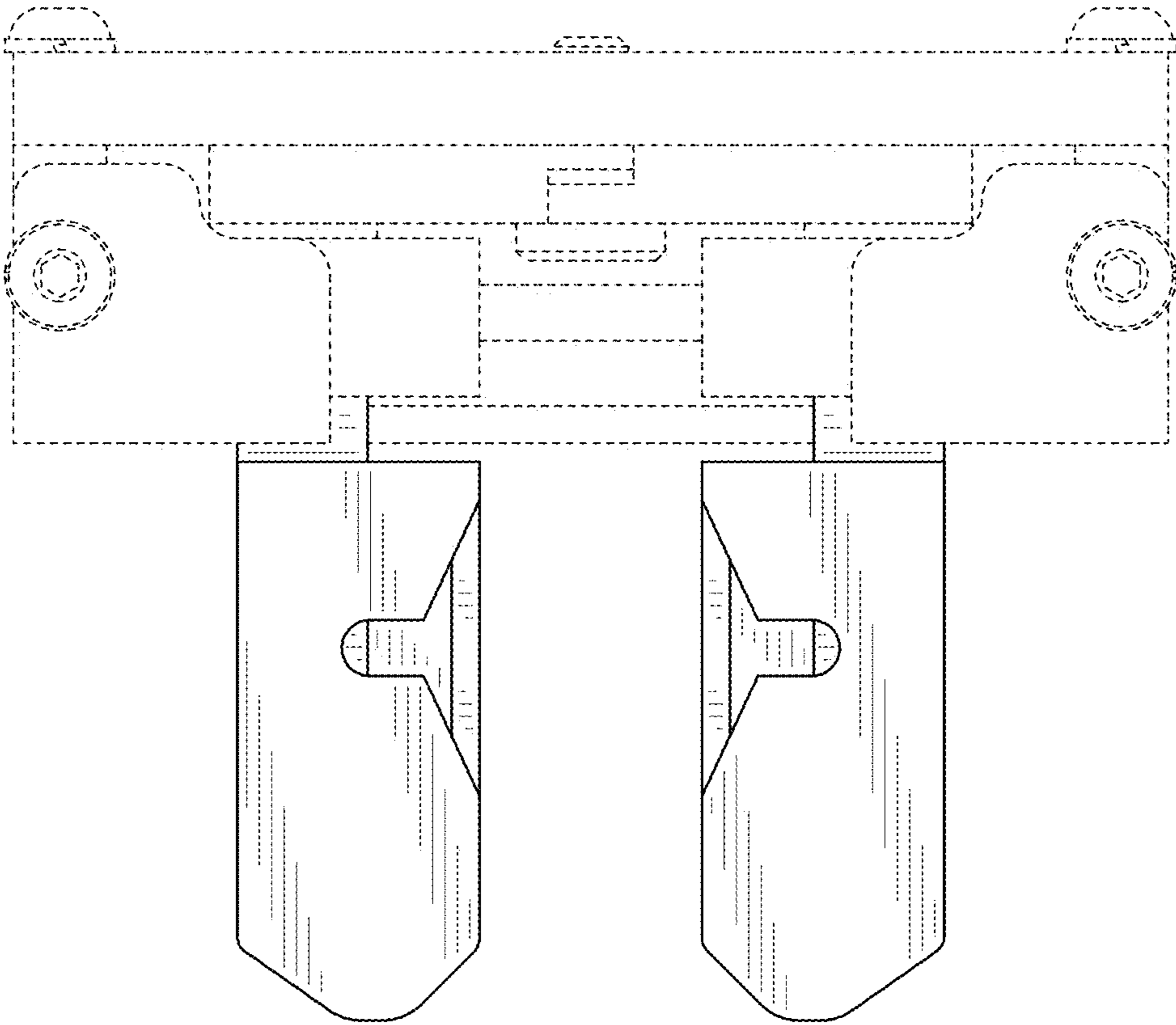


FIG. 7

