



US00D695905S

(12) **United States Design Patent**  
**Walter et al.**

(10) **Patent No.:** **US D695,905 S**  
(45) **Date of Patent:** **\*\* Dec. 17, 2013**

(54) **MIXING ELEMENT**

(75) Inventors: **Alexander Walter**, Pürgen (DE); **Özcan Dönmez**, Landsberg am Lech (DE); **Korbinian Schepke-Gerlach**, Gauting (DE); **Emir Jelovac**, München (DE); **Manfred Harre**, Landsberg am Lech (DE); **Jens Gramann**, Gräfelfing (DE)

(73) Assignee: **3M Innovative Properties Company**, Saint Paul, MN (US)

(\*\*) Term: **14 Years**

(21) Appl. No.: **29/398,425**

(22) Filed: **Jul. 29, 2011**

(30) **Foreign Application Priority Data**

Feb. 1, 2011 (EM) ..... 001257497

(51) **LOC (9) Cl.** ..... **24-01**

(52) **U.S. Cl.**  
USPC ..... **D24/220**

(58) **Field of Classification Search**  
USPC ..... D24/220, 221, 176, 180; D7/379;  
D15/19, 138, 147; 366/172.1, 181.4,  
366/307, 318, 320, 323, 336, 339;  
222/145.6

See application file for complete search history.

(56) **References Cited**

**U.S. PATENT DOCUMENTS**

D269,039 S 5/1983 Klein  
D290,395 S 6/1987 Stevens et al.  
5,249,862 A 10/1993 Herold et al.  
6,244,740 B1 6/2001 Wagner et al.  
6,394,643 B1 5/2002 Bublewitz et al.  
6,443,612 B1 9/2002 Keller  
6,523,992 B1 2/2003 Bublewitz et al.

D472,323 S \* 3/2003 Sand ..... D24/220  
D474,271 S 5/2003 Iori et al.  
D483,495 S 12/2003 Sand  
6,837,612 B2 1/2005 Bublewitz et al.  
7,320,541 B2 1/2008 Wagner  
D571,479 S 6/2008 Wagner

(Continued)

**FOREIGN PATENT DOCUMENTS**

DE 20302987 4/2003  
EP 1149627 10/2001  
WO 98/43727 10/1998

**OTHER PUBLICATIONS**

Color photograph (one page) of a Penta Mixing Tip, 3M ESPE Item #71510 (white mixing tip shaft), which was made commercially available by 3M ESPE Dental Products prior to Sep. 20, 2004.

(Continued)

*Primary Examiner* — Anhdao Doan

(74) *Attorney, Agent, or Firm* — Qiang Han; 3M Innovative Properties Company

(57) **CLAIM**

The ornamental design for a mixing element, as shown and described.

**DESCRIPTION**

FIG. 1 is a perspective view of a new design for a mixing element;

FIG. 2 is a back view thereof;

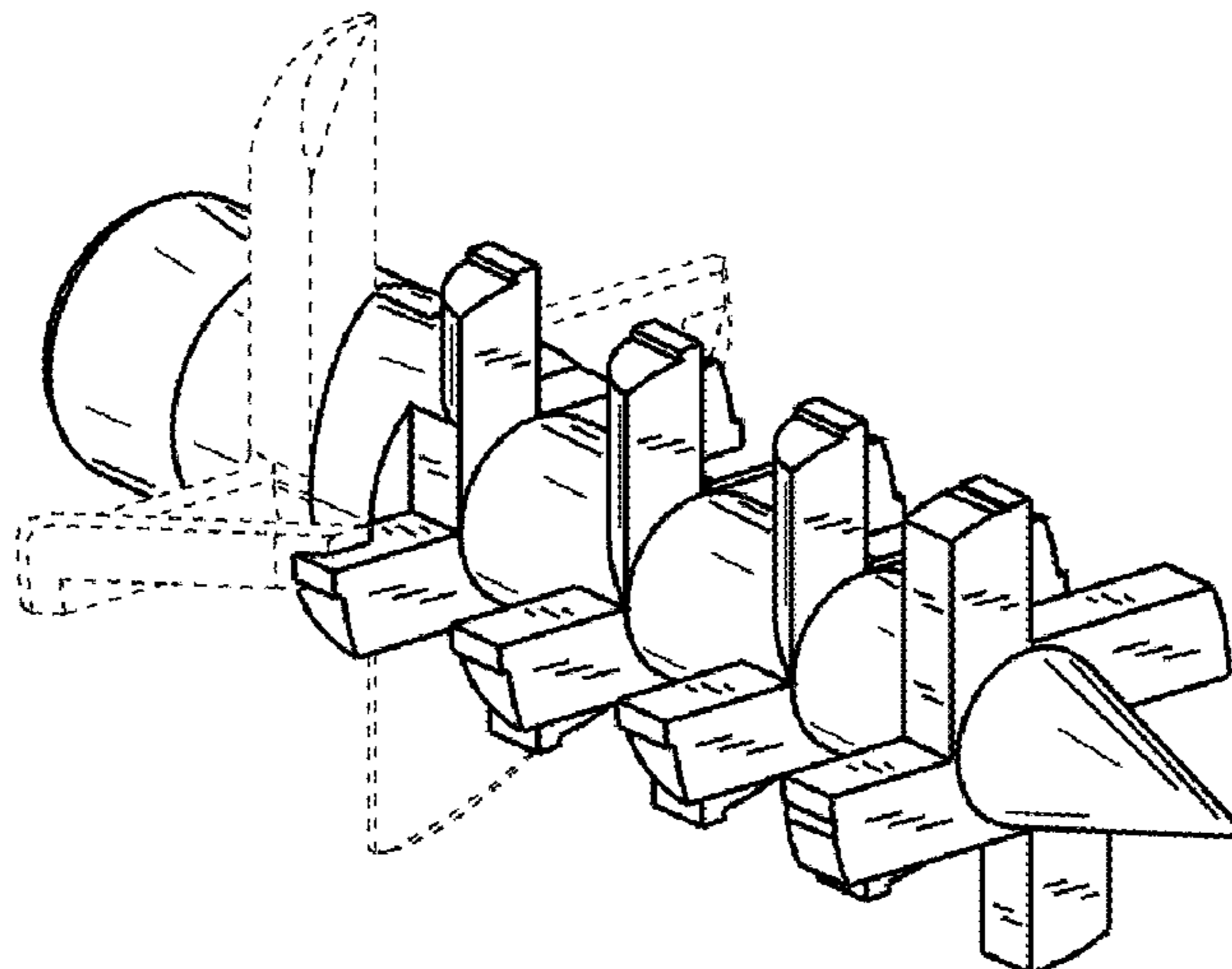
FIG. 3 is a front view thereof;

FIG. 4 is a side view thereof; and,

FIG. 5 is a top view thereof.

The broken lines in the drawing views are included for the purpose of illustrating portions of the mixing element that form no part of the claimed design.

**1 Claim, 1 Drawing Sheet**



(56)

**References Cited**

U.S. PATENT DOCUMENTS

D571,927	S	6/2008	Wagner	
D607,476	S *	1/2010	Saul .....	D15/138
D608,800	S *	1/2010	Ettlin .....	D15/138
D617,001	S	6/2010	Lee	
7,731,413	B2 *	6/2010	Busin et al. ....	366/171.1
D622,298	S *	8/2010	Ettlin .....	D15/138
7,771,110	B2	8/2010	Wang	
D672,873	S *	12/2012	An .....	D24/176
2001/0005338	A1	6/2001	Muhlbauer et al.	
2002/0175186	A1	11/2002	Keller	
2003/0137898	A1	7/2003	Wagner et al.	
2004/0085854	A1	5/2004	Pauser et al.	
2012/0218856	A1	8/2012	Walter	

OTHER PUBLICATIONS

Color photograph (one page) of a MixPac Systems AG dynamic mixing tip (blue mixing tip shaft), which was publicly available prior to Sep. 20, 2004.

Color photograph (one page) of a Heraeus Kulzer GmbH dynamic mixing tip (grey mixing tip shaft), which was publicly available prior to Sep. 20, 2004.

Color photograph (one page) of a Heraeus Kulzer GmbH dynamic mixing tip (blue mixing tip shaft), which was publicly available prior to Sep. 20, 2004.

Color photograph (one page) of a Heraeus Kulzer GmbH dynamic mixing tip (white mixing tip shaft), which was publicly available prior to Sep. 20, 2004.

Color photograph (one page) of a Kettenbach GmbH & Co. KG Panasil Binetics Putty Dynamic Mixer Mixing Tip (white mixing tip shaft), which was publicly available prior to Sep. 20, 2004.

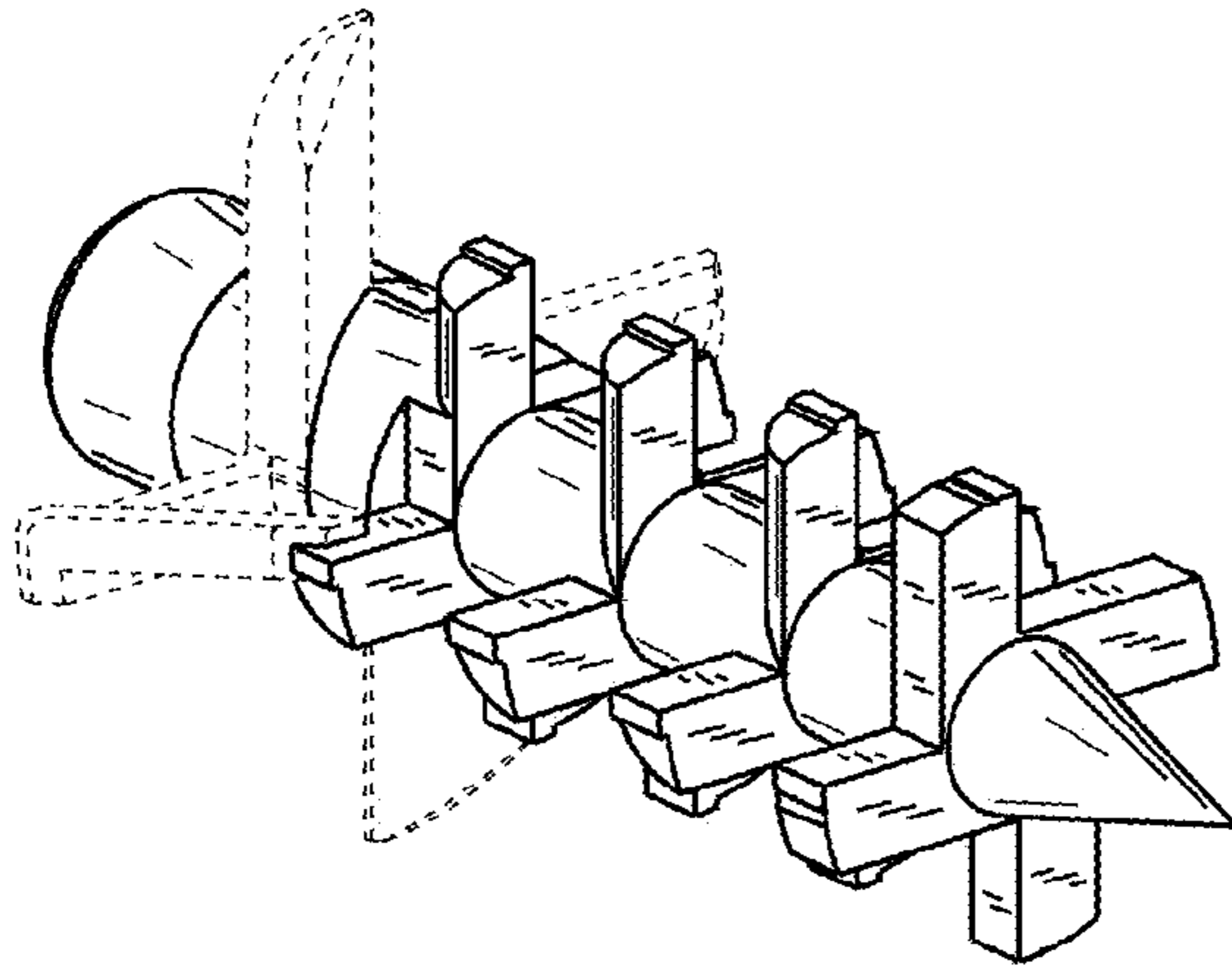
Color photograph (one page) of a Kettenbach GmbH & Co. KG dynamic mixing tip (white mixing tip shaft), which was publicly available prior to Sep. 20, 2004.

Color photograph (one page) of a Kettenbach GmbH & Co. KG dynamic mixing tip (grey mixing tip shaft), which was publicly available prior to Sep. 20, 2004.

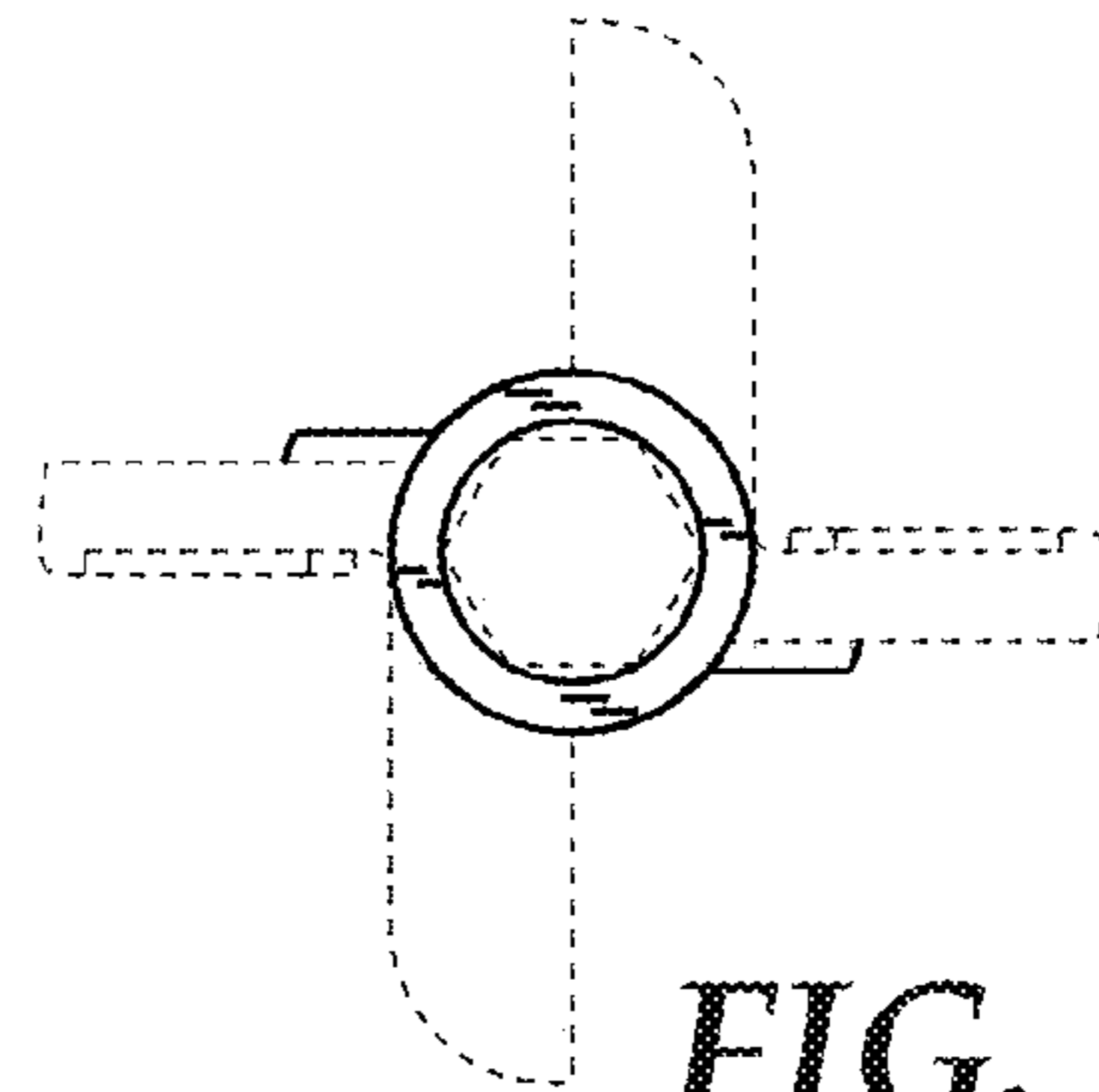
Color photograph (one page) of a DMG Chemisch-Pharmazeutische Fabrik GmbH dynamic mixing tip, which was publicly available prior to Sep. 20, 2004.

Color photograph (one page) of a DMG Chemisch-Pharmazeutische Fabrik GmbH Honigum— Heavy, MixStar Tip, which was publicly available prior to Sep. 20, 2004.

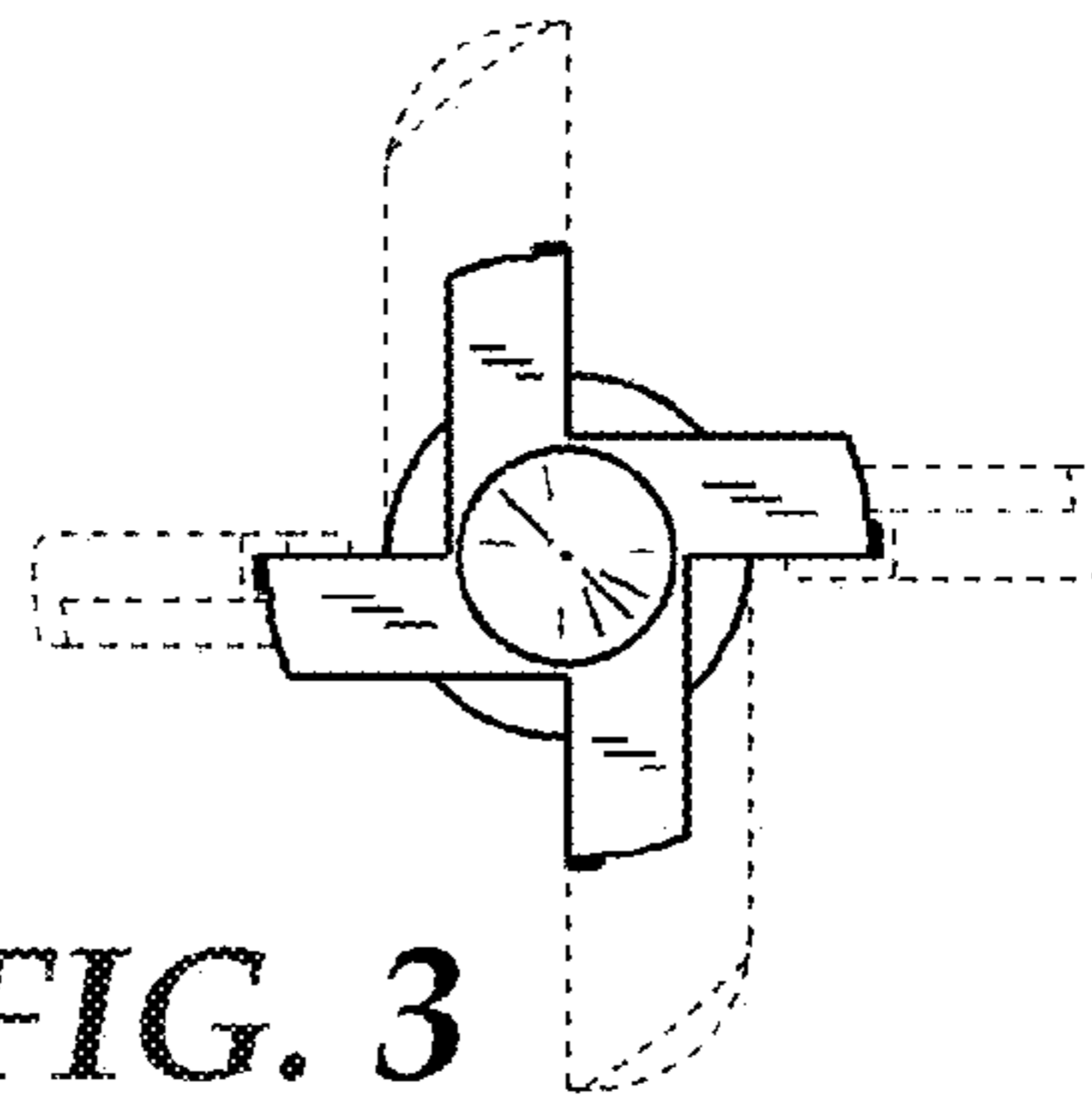
\* cited by examiner



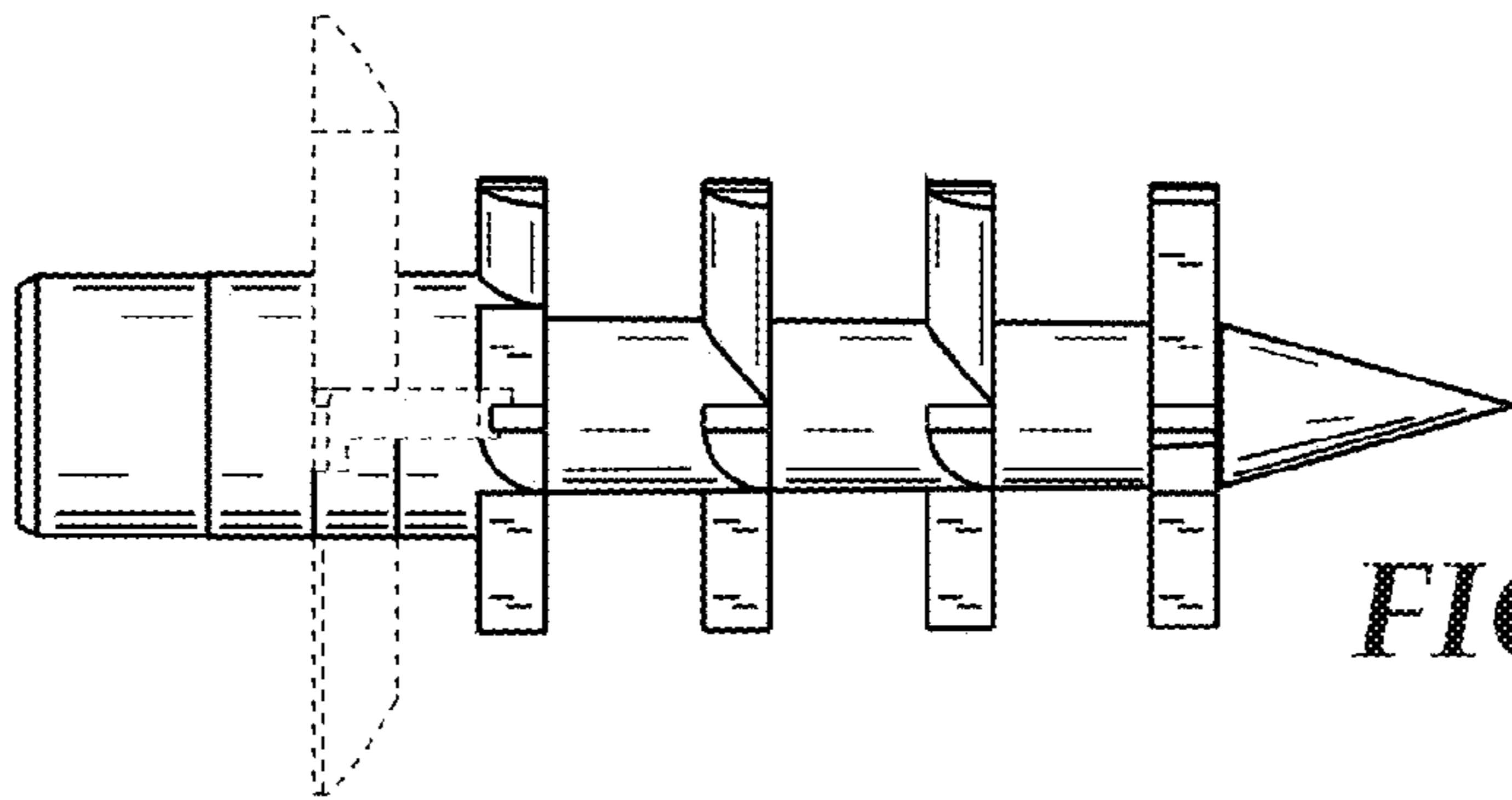
**FIG. 1**



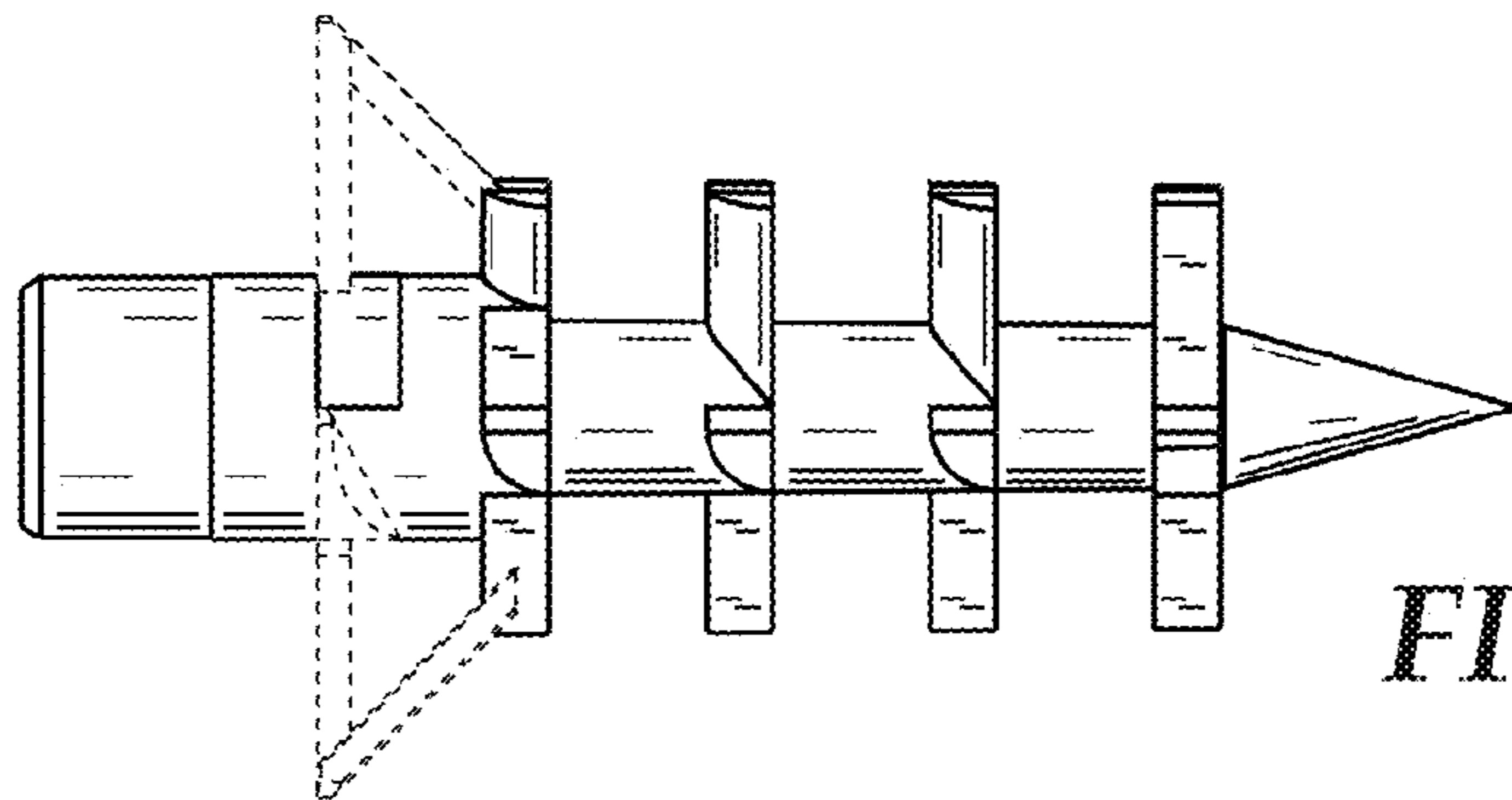
**FIG. 2**



**FIG. 3**



**FIG. 4**



**FIG. 5**