



US00D695898S

(12) **United States Design Patent**
Chung et al.

(10) **Patent No.:** **US D695,898 S**

(45) **Date of Patent:** **** Dec. 17, 2013**

(54) **ULTRASOUND DIAGNOSTIC EQUIPMENT**

(56)

References Cited

(75) Inventors: **Yeon-Moo Chung**, Seoul (KR);
Jae-Yoon Lee, Seoul (KR); **Ho-Young Park**, Yangju-si (KR); **Jung-Hoon Kim**, Seoul (KR)

(73) Assignee: **Samsung Electronics Co., Ltd.**, Suwon-si (KR)

(**) Term: **14 Years**

(21) Appl. No.: **29/431,394**

(22) Filed: **Sep. 6, 2012**

(30) **Foreign Application Priority Data**

Jul. 10, 2012 (KR) 30-2012-0033453

(51) **LOC (9) Cl.** **24-01**

(52) **U.S. Cl.**
USPC **D24/158**

(58) **Field of Classification Search**
USPC D24/158-161, 185, 186; 606/32-34;
600/1-3, 104, 437, 443, 459; 312/209,
312/223.1, 223.2, 249.12; 248/47.34, 282.1
See application file for complete search history.

U.S. PATENT DOCUMENTS

D472,635	S	*	4/2003	Stringer et al.	D24/160
7,806,376	B2	*	10/2010	Song et al.	248/177.1
D648,855	S	*	11/2011	Smith et al.	D24/158
D655,013	S	*	2/2012	Sabaris Vilas	D24/185
D681,830	S	*	5/2013	Chung et al.	D24/186
D687,151	S	*	7/2013	Yokoyama et al.	D24/186
2008/0161688	A1	*	7/2008	Poland	600/437

* cited by examiner

Primary Examiner — Anhdao Doan

(74) *Attorney, Agent, or Firm* — Jefferson IP Law, LLP

(57) **CLAIM**

The ornamental design for an ultrasound diagnostic equipment, as shown and described.

DESCRIPTION

FIG. 1 is a perspective view of ultrasonic diagnostic equipment, showing a new design;
FIG. 2 is a front elevational view thereof;
FIG. 3 is a rear elevational view thereof;
FIG. 4 is a left side elevational view thereof;
FIG. 5 is a right side elevational view thereof;
FIG. 6 is a top plan view thereof; and,
FIG. 7 is a bottom plan view thereof.

1 Claim, 7 Drawing Sheets

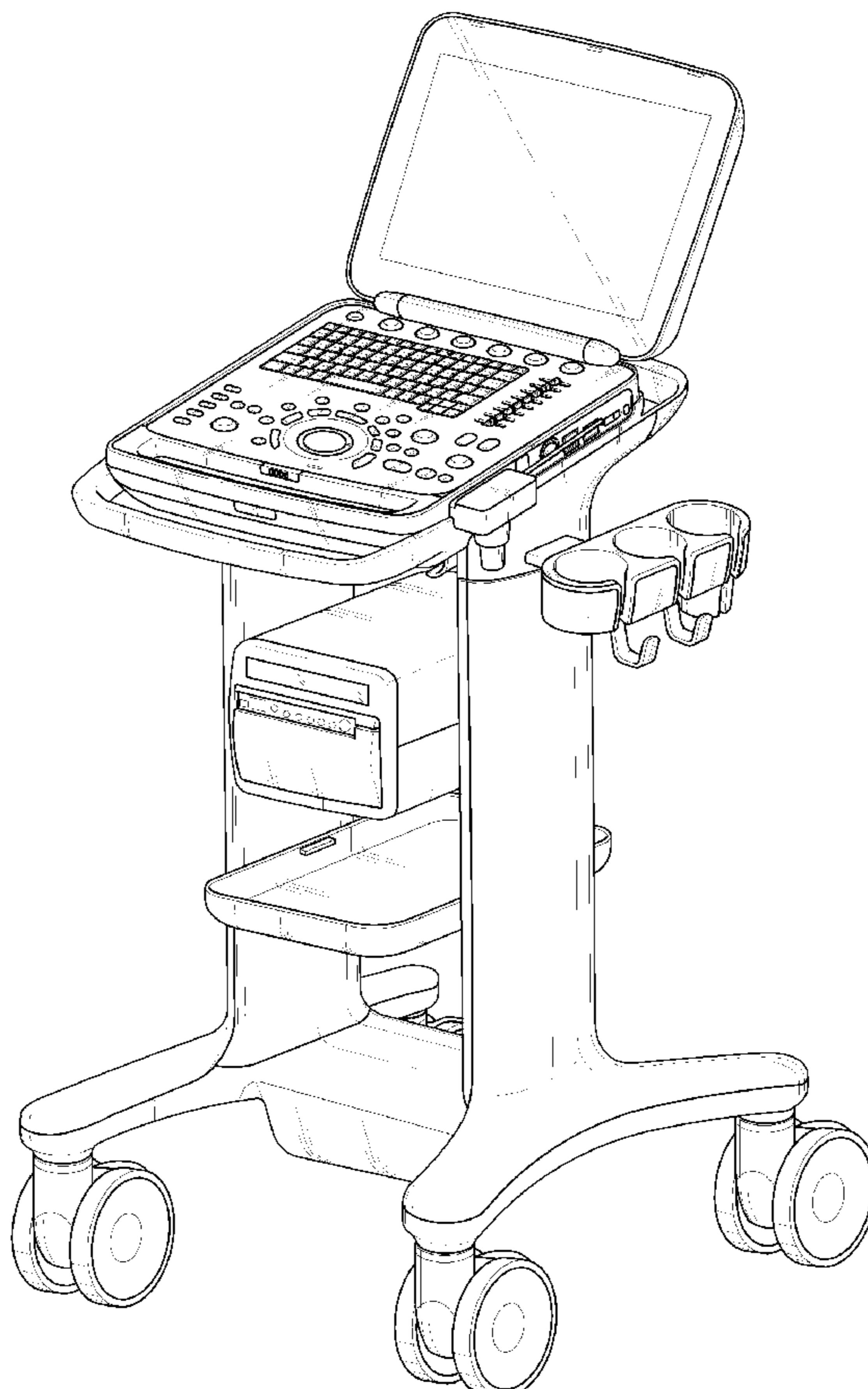


FIG. 1

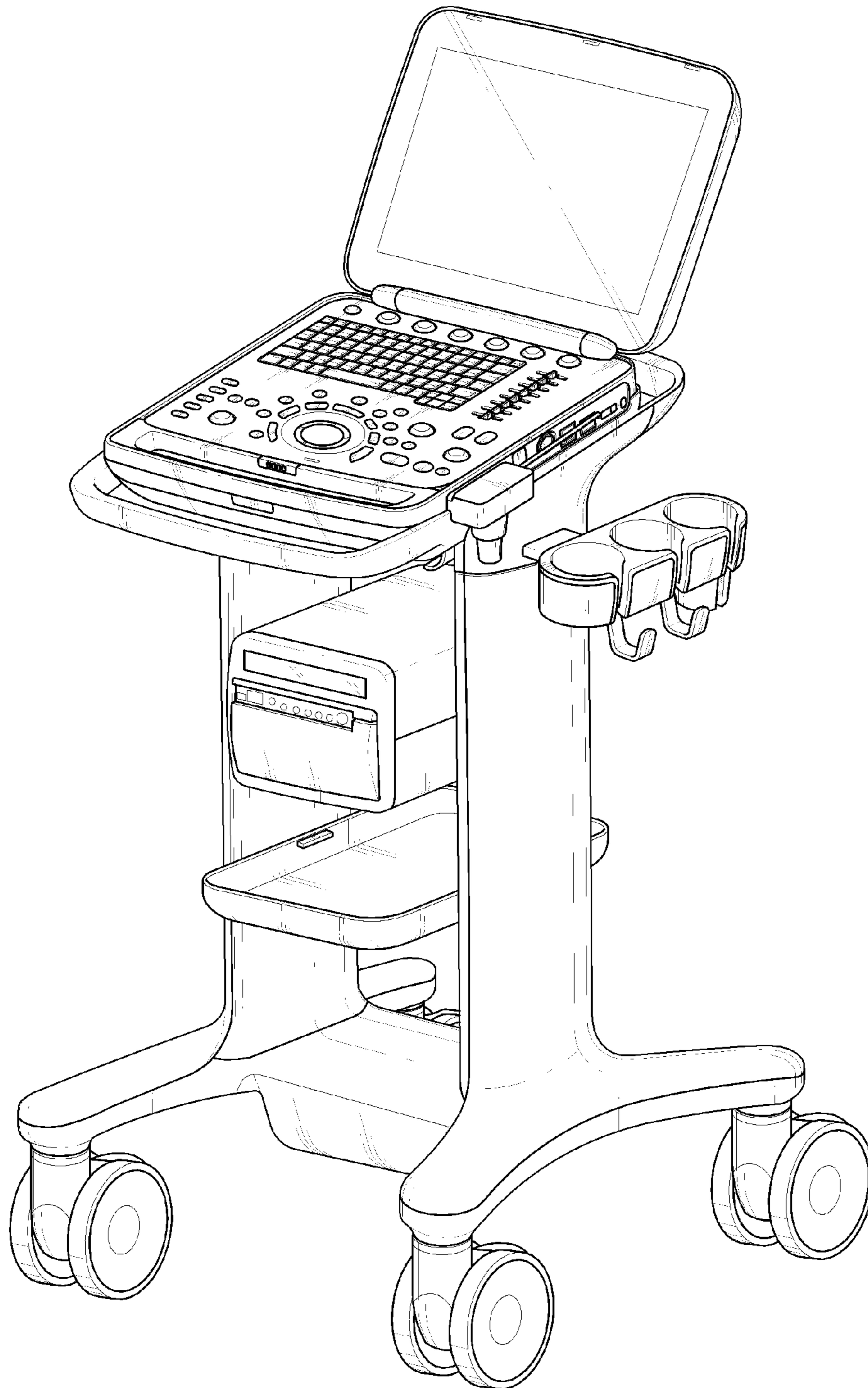


FIG. 2

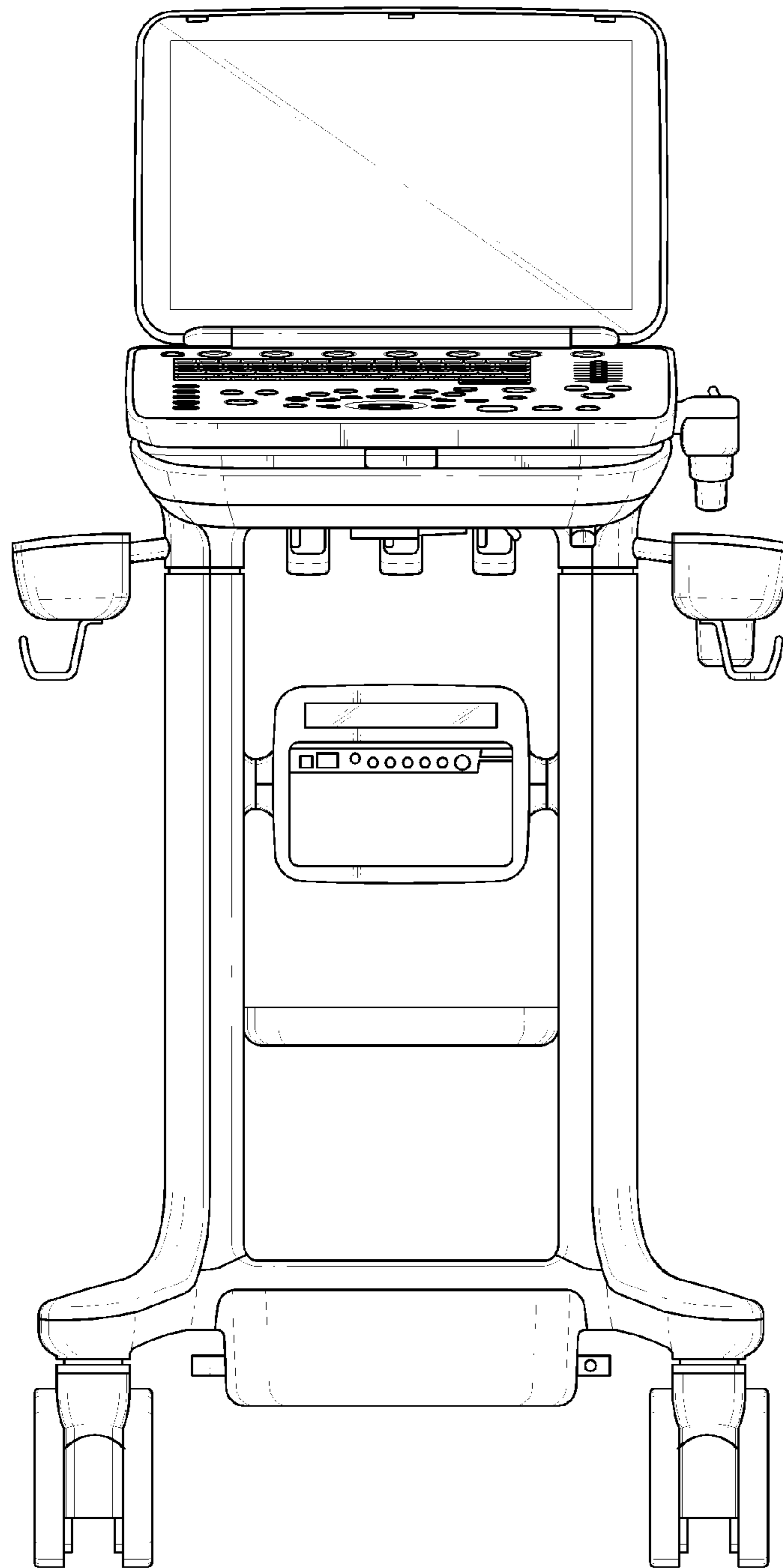


FIG. 3

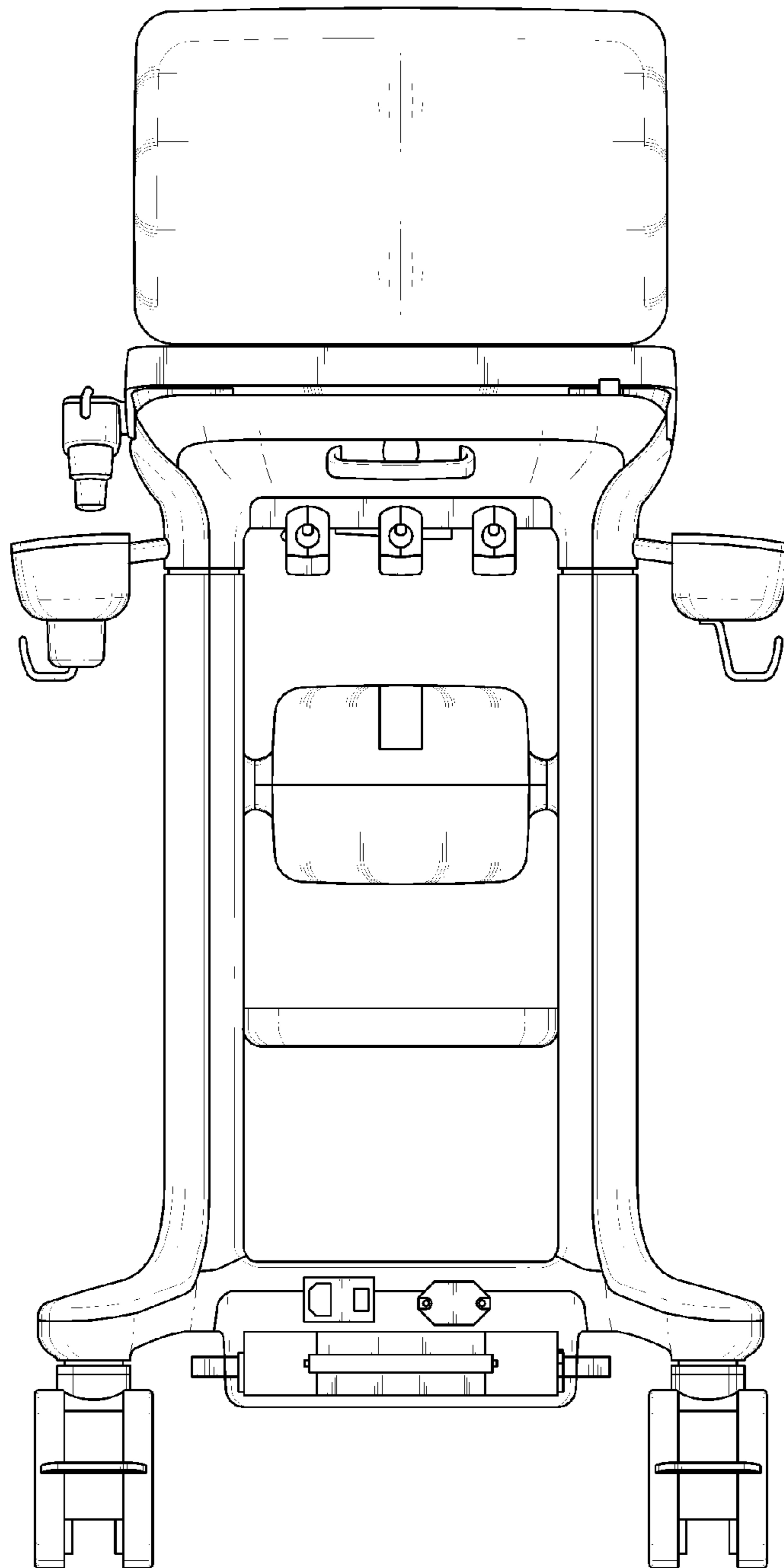


FIG. 4

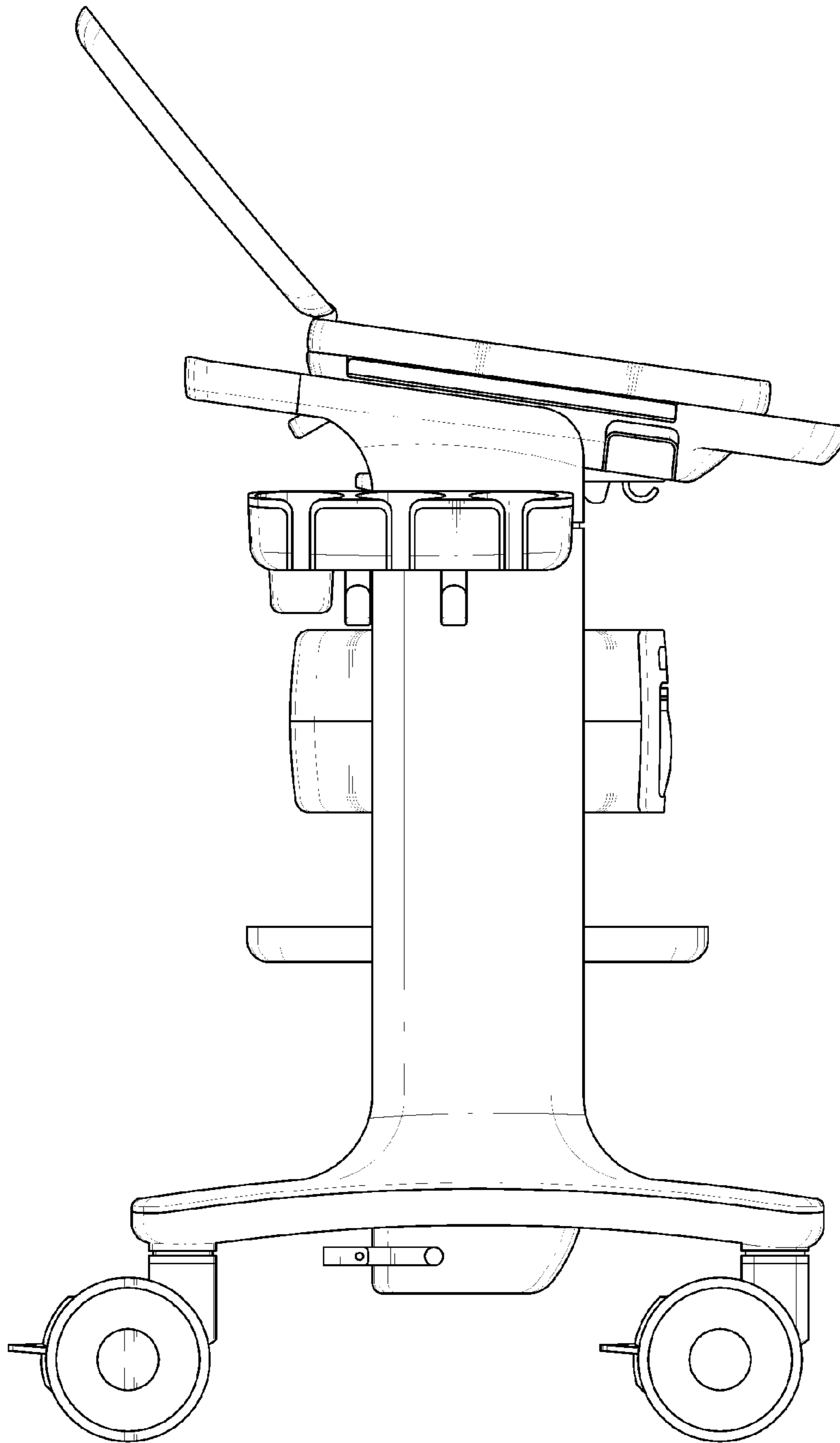


FIG. 5

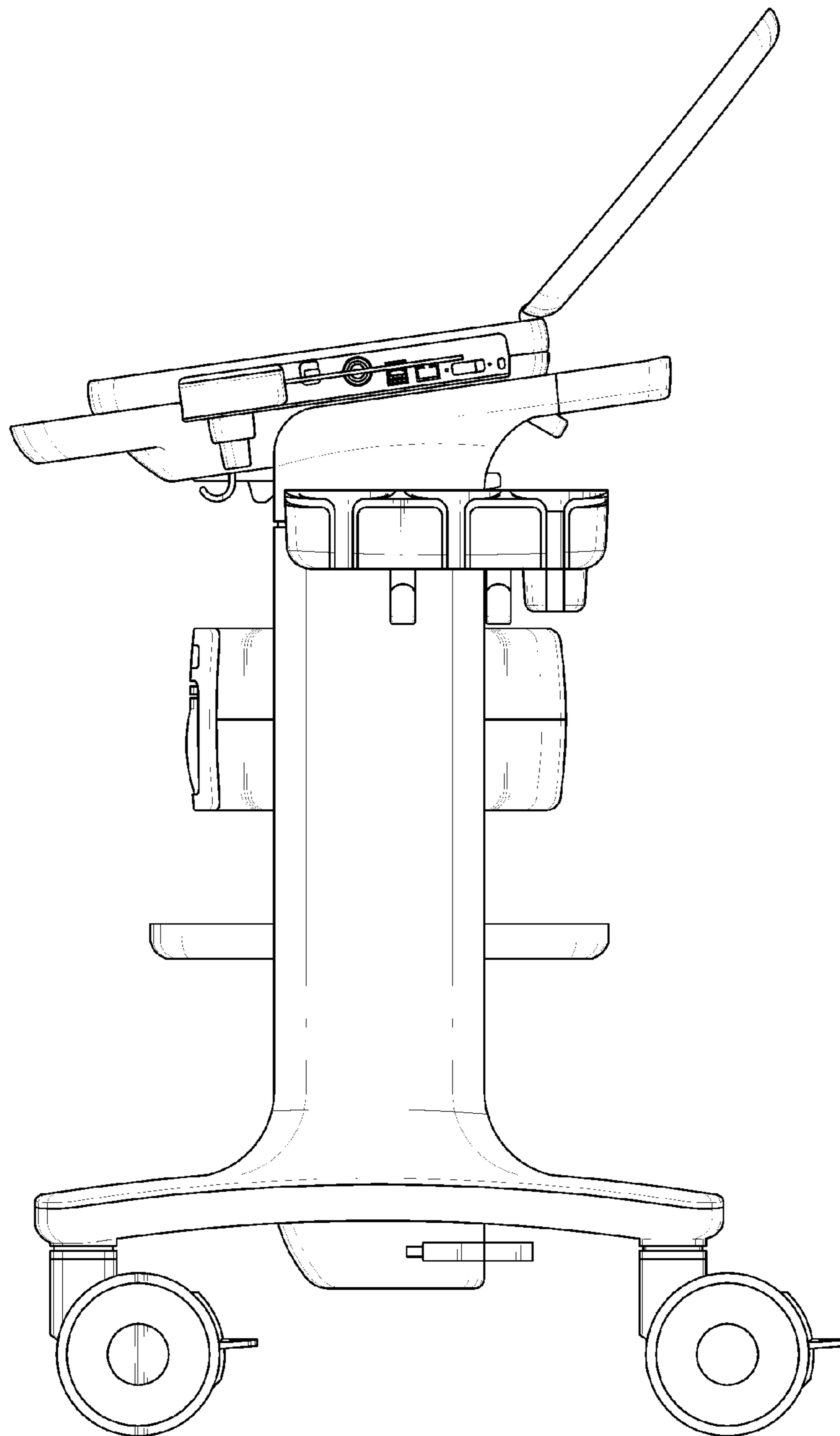


FIG. 6

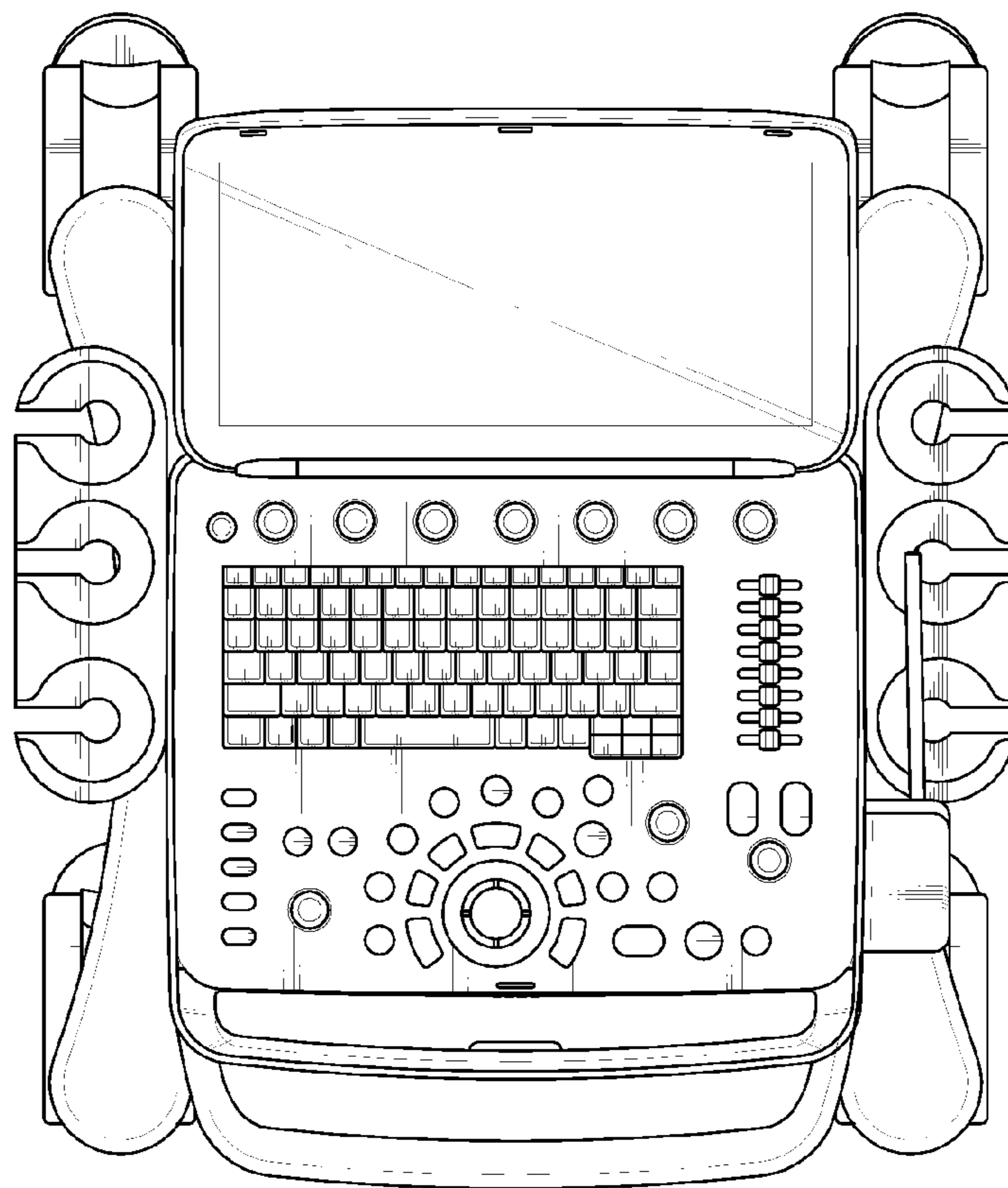


FIG. 7

