

US00D695896S

(12) **United States Design Patent**
Insignares et al.

(10) **Patent No.:** **US D695,896 S**

(45) **Date of Patent:** **** Dec. 17, 2013**

(54) **MEDICAL INSTRUMENTATION HANDLE**

(76) Inventors: **Rogelio A. Insignares**, Winter Park, FL (US); **Kenneth M. Roger**, Casselberry, FL (US); **Daniel Glenn Doerr**, Orlando, FL (US); **Gary Wayne Haberland**, Winter Park, FL (US); **Roland Strelitzki**, Altamonte Springs, FL (US); **John A. Farnella, Jr.**, Orlando, FL (US)

(**) Term: **14 Years**

(21) Appl. No.: **29/424,683**

(22) Filed: **Jun. 14, 2012**

(51) **LOC (9) Cl.** **24-02**

(52) **U.S. Cl.**
USPC **D24/133**

(58) **Field of Classification Search**
USPC D24/133, 137, 138, 143, 144, 145, 146, D24/147, 148, 149; D8/51, 57, 107; 606/1, 606/80, 85, 130, 139, 148, 167, 169, 170, 606/171, 174, 175, 176, 180, 205, 206; 604/22, 27; 600/104, 153, 154, 564
See application file for complete search history.

(56) **References Cited**

U.S. PATENT DOCUMENTS

D107,007 S * 11/1937 Cashmore D8/82
D113,158 S * 1/1939 Cashmore D8/82
D259,698 S * 6/1981 MacNeill D8/107
4,768,406 A * 9/1988 Fitzwater 81/177.1
4,893,529 A * 1/1990 Lin 81/177.4

D339,279 S * 9/1993 Baum D8/83
D382,959 S * 8/1997 Arpe D24/133
D393,787 S * 4/1998 Savoie D8/21
D412,547 S * 8/1999 Fong D21/793
D545,933 S * 7/2007 Dow D21/789
D613,144 S * 4/2010 Lin D8/83
D646,385 S * 10/2011 Gauthier et al. D24/133
2008/0200940 A1 * 8/2008 Eichmann et al. 606/169

* cited by examiner

Primary Examiner — Bridget L Eland

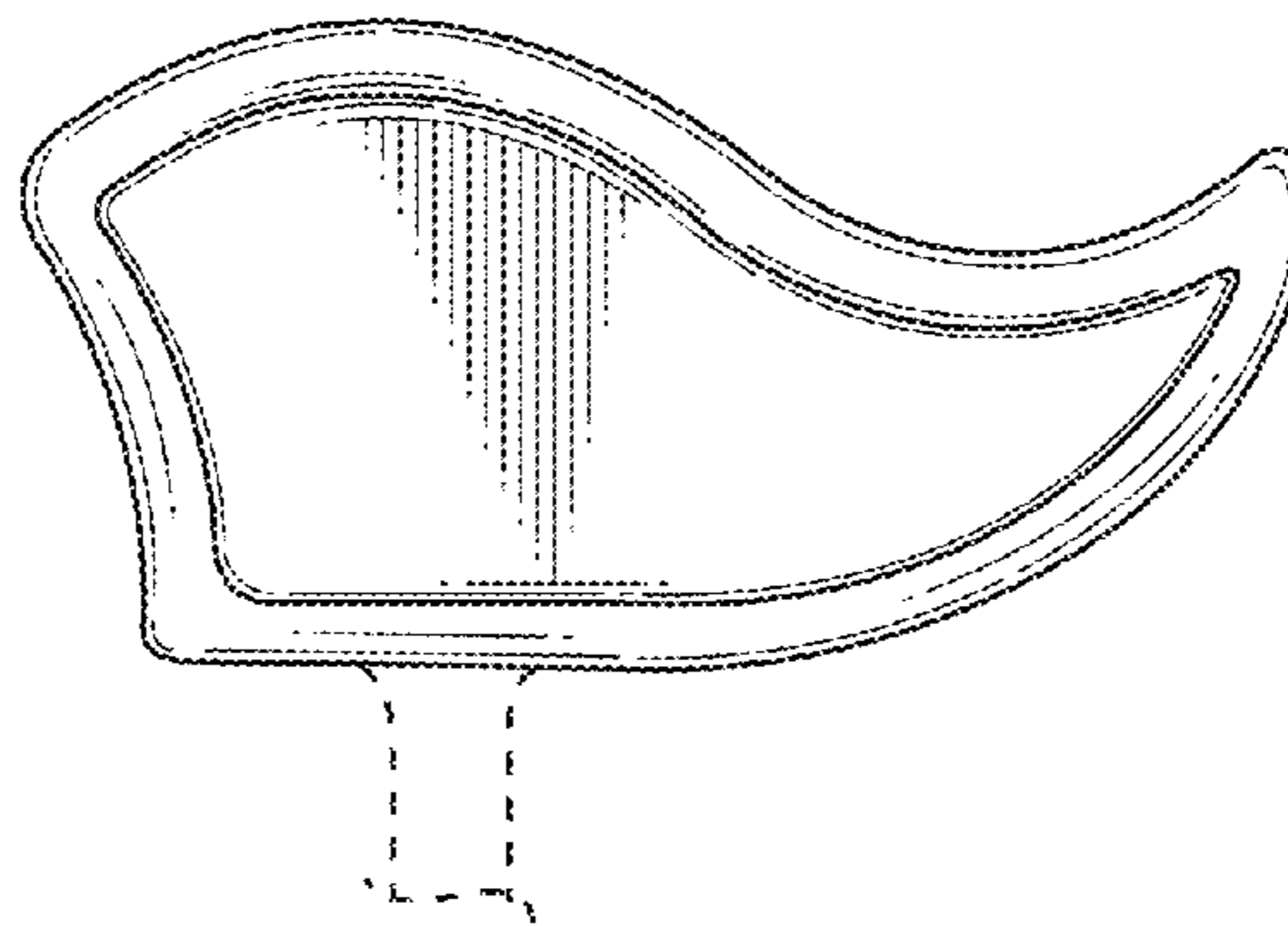
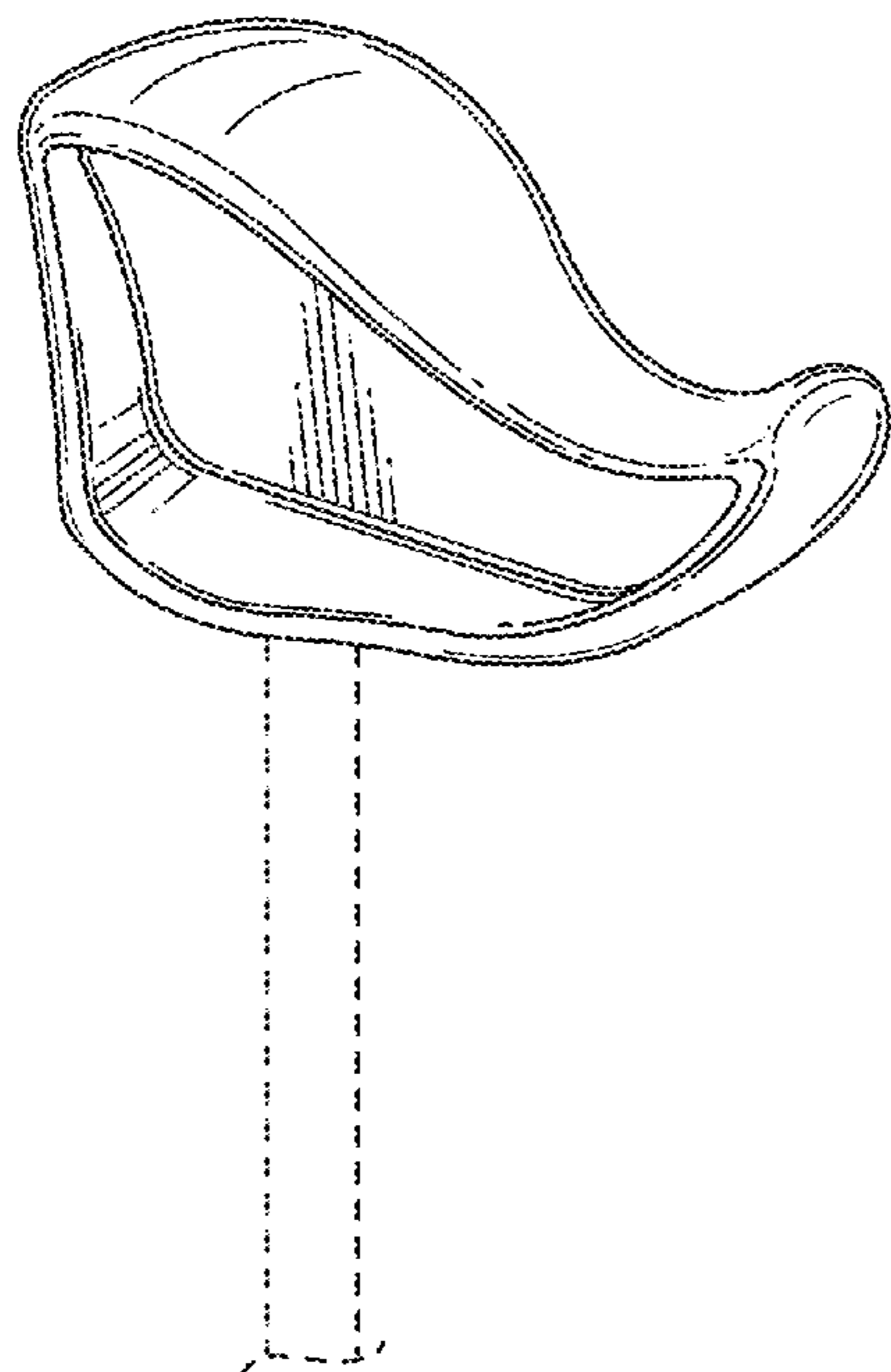
(57) **CLAIM**

The ornamental design for a medical instrumentation handle, as shown and described.

DESCRIPTION

FIG. 1 is a perspective view taken from a right rear angle of a medical instrumentation handle showing our new design; FIG. 2 is an enlarged perspective view taken from a right front angle thereof; FIG. 3 is a perspective view taken from a left rear angle thereof; FIG. 4 is an enlarged perspective view taken from a left front angle thereof; FIG. 5 is an enlarged left side elevational thereof; FIG. 6 is an enlarged right side elevational view thereof; FIG. 7 is an enlarged front elevational view thereof; FIG. 8 is an enlarged rear elevational view thereof; FIG. 9 is a top plan view thereof; and, FIG. 10 is a bottom plan view thereof.
The broken lines immediately adjacent the shaded areas represent the bounds of the claimed design while all other broken lines are directed to environment and are for illustrative purposes only; the broken lines form no part of the claimed design.

1 Claim, 3 Drawing Sheets



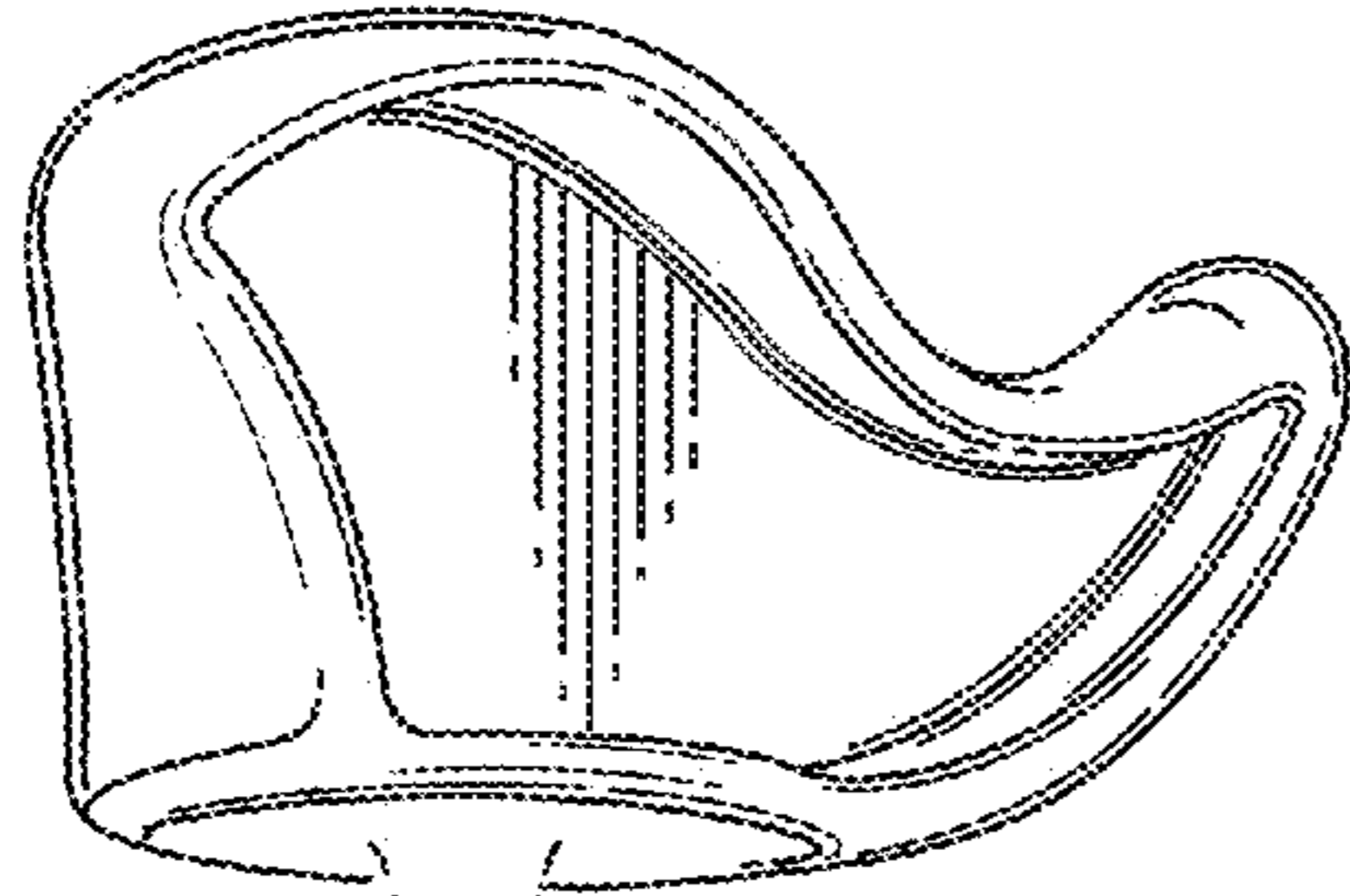
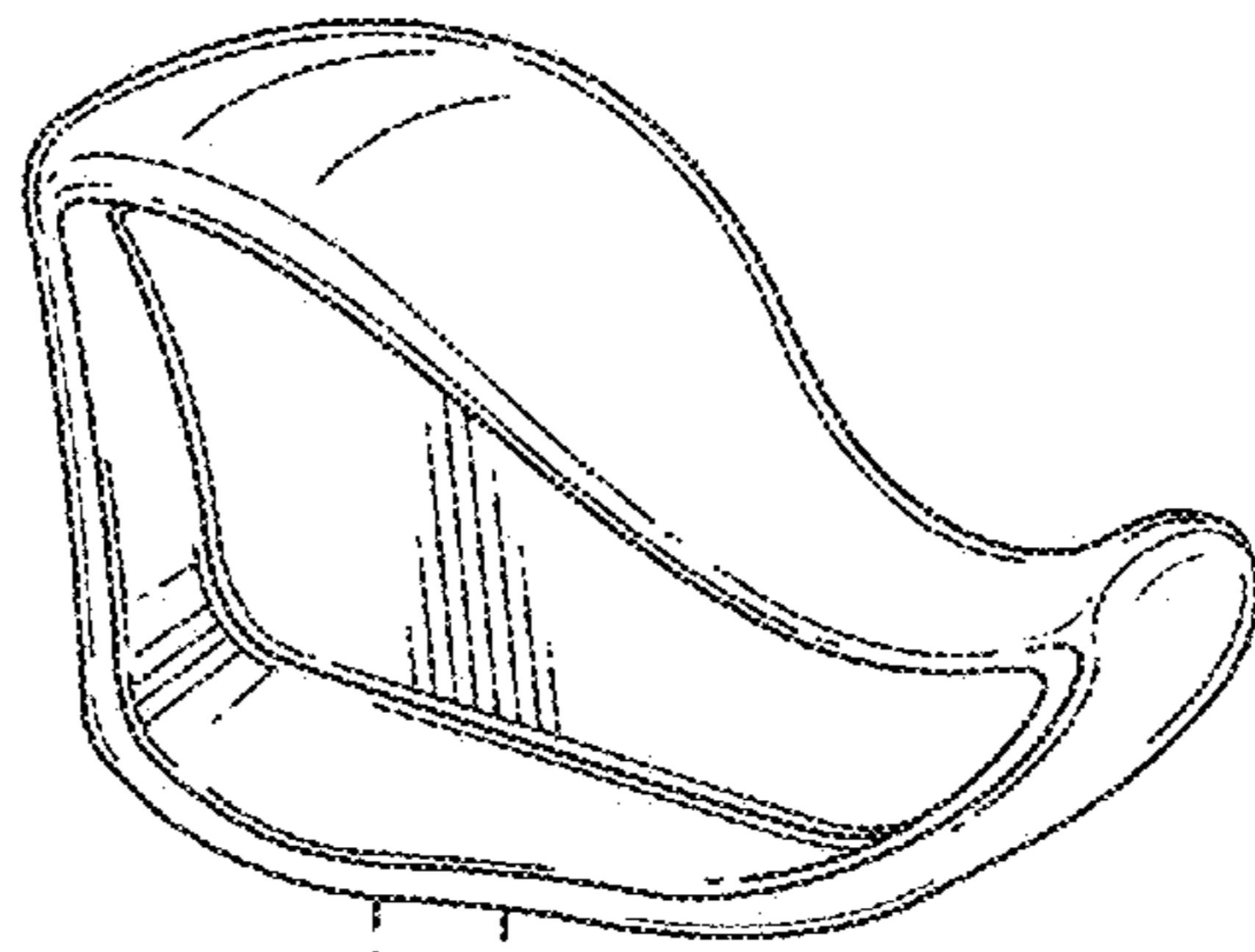


Fig. 1

Fig. 2



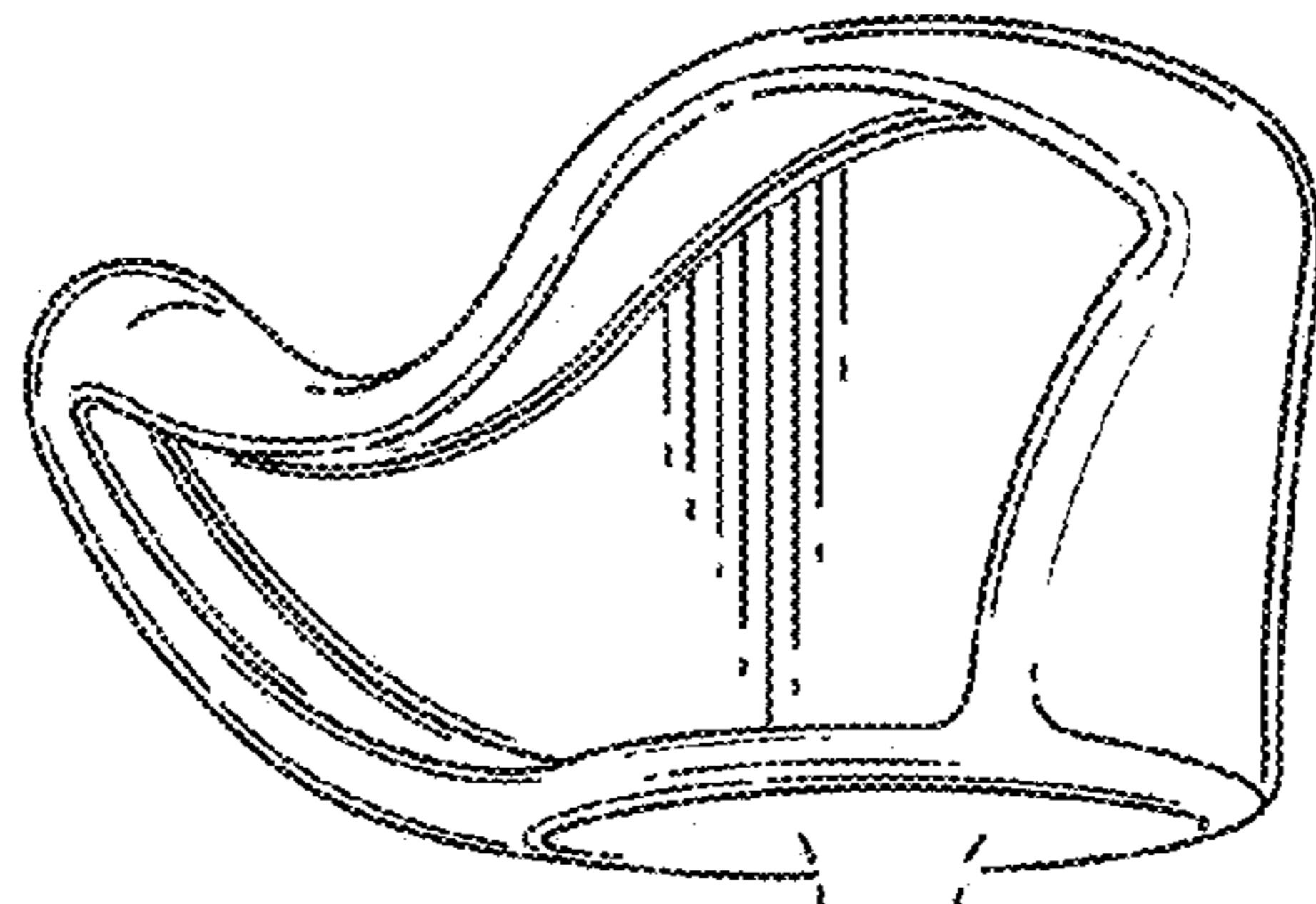


Fig. 3

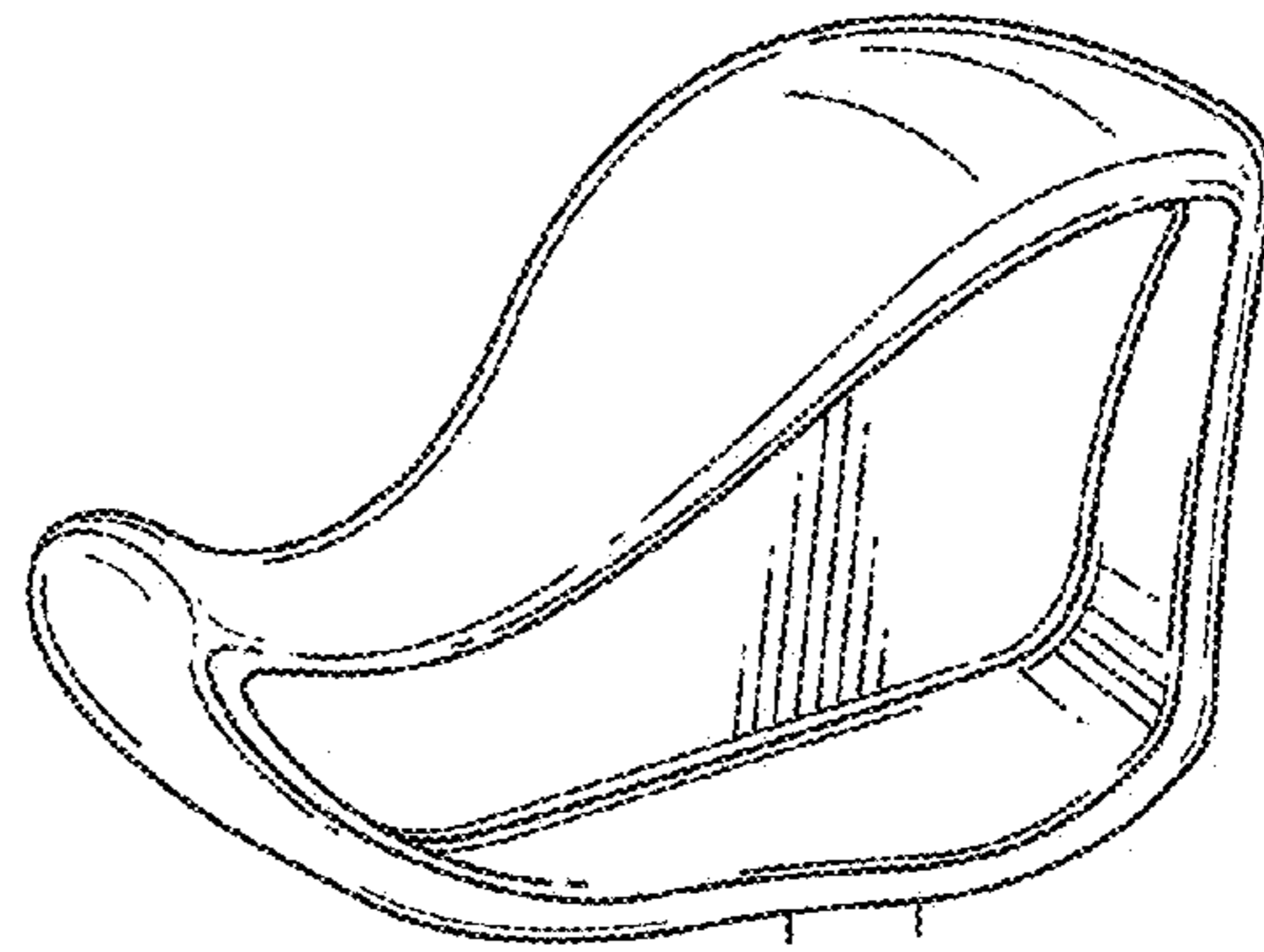


Fig. 4

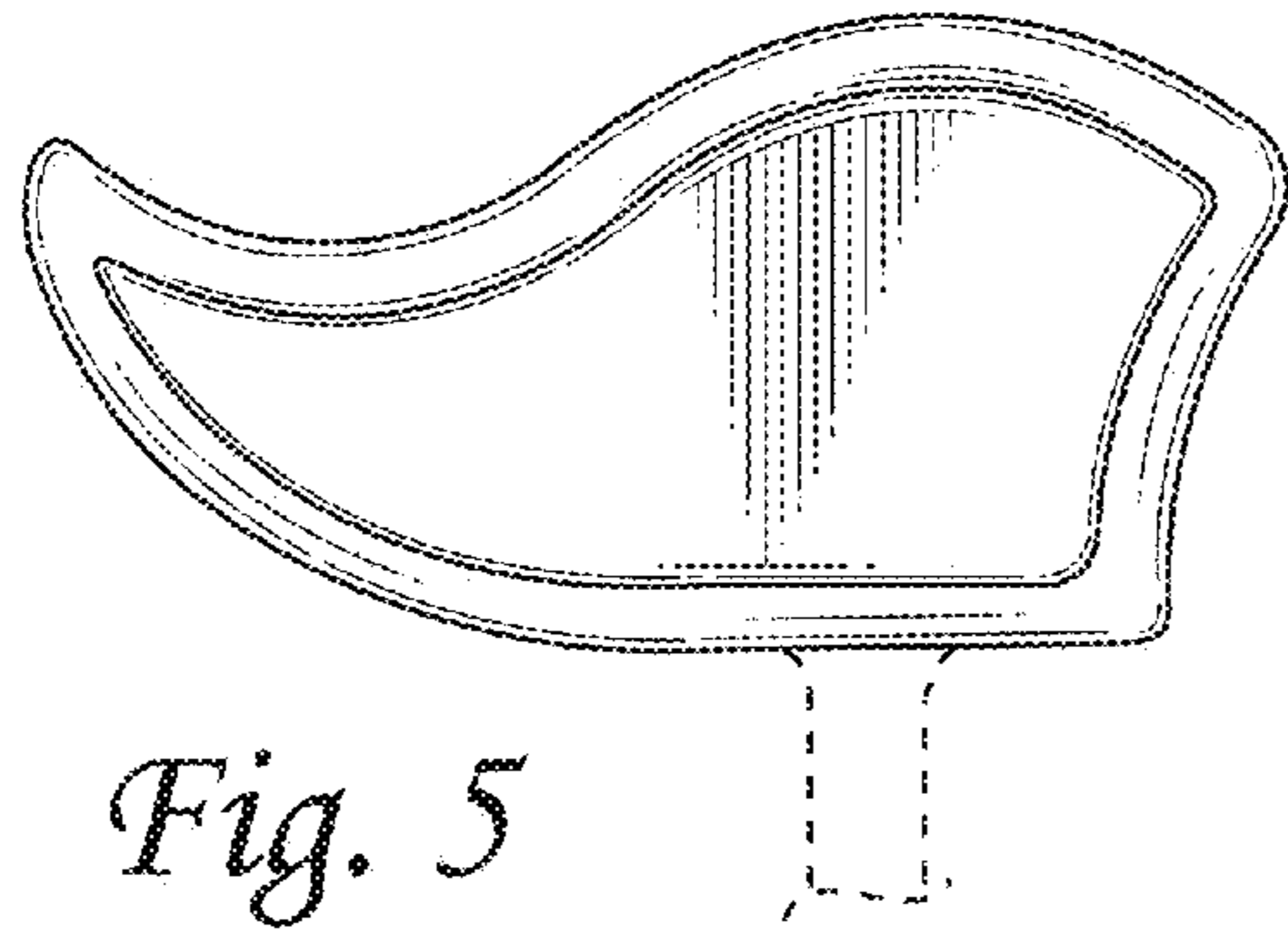


Fig. 5

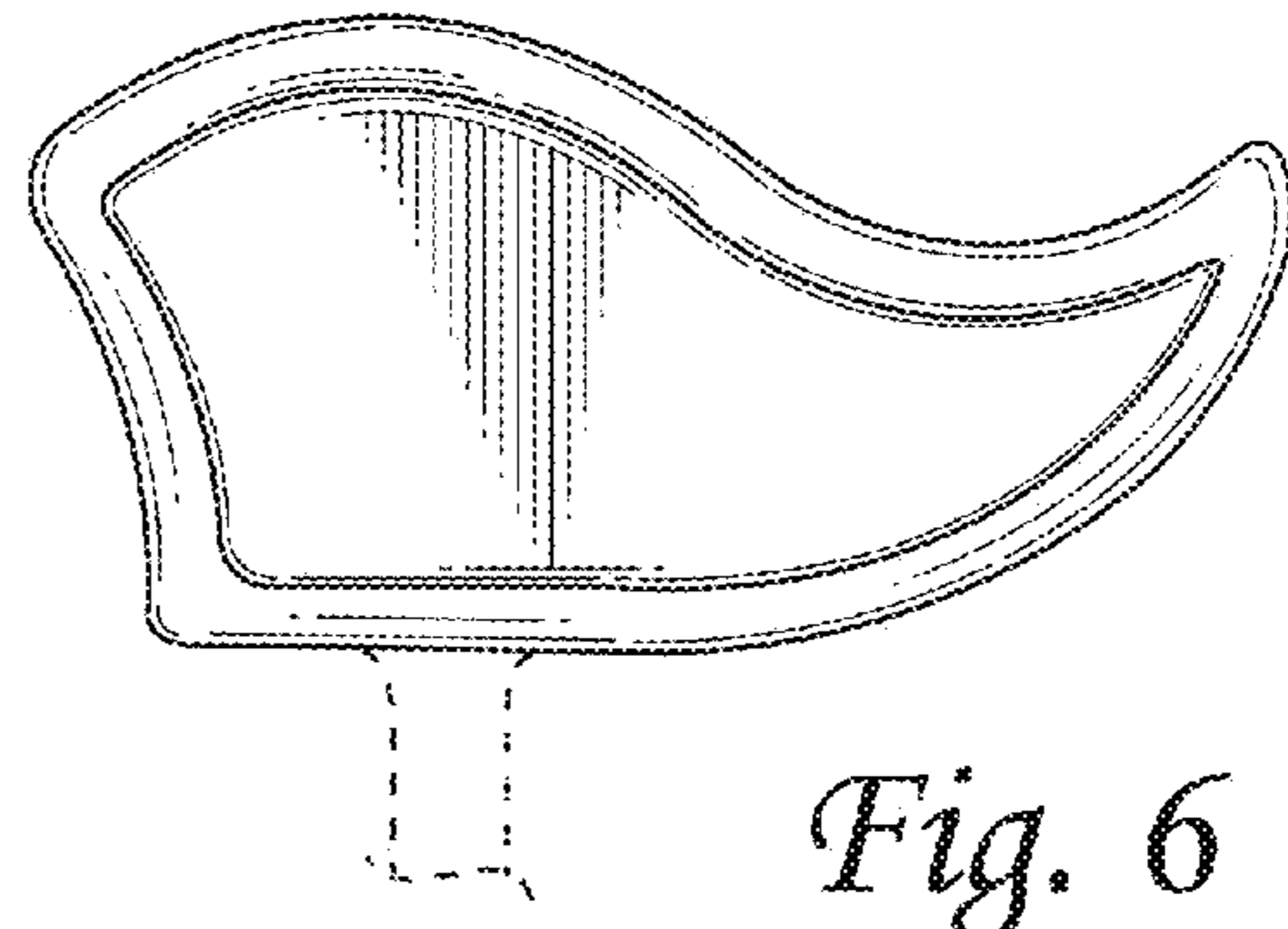


Fig. 6

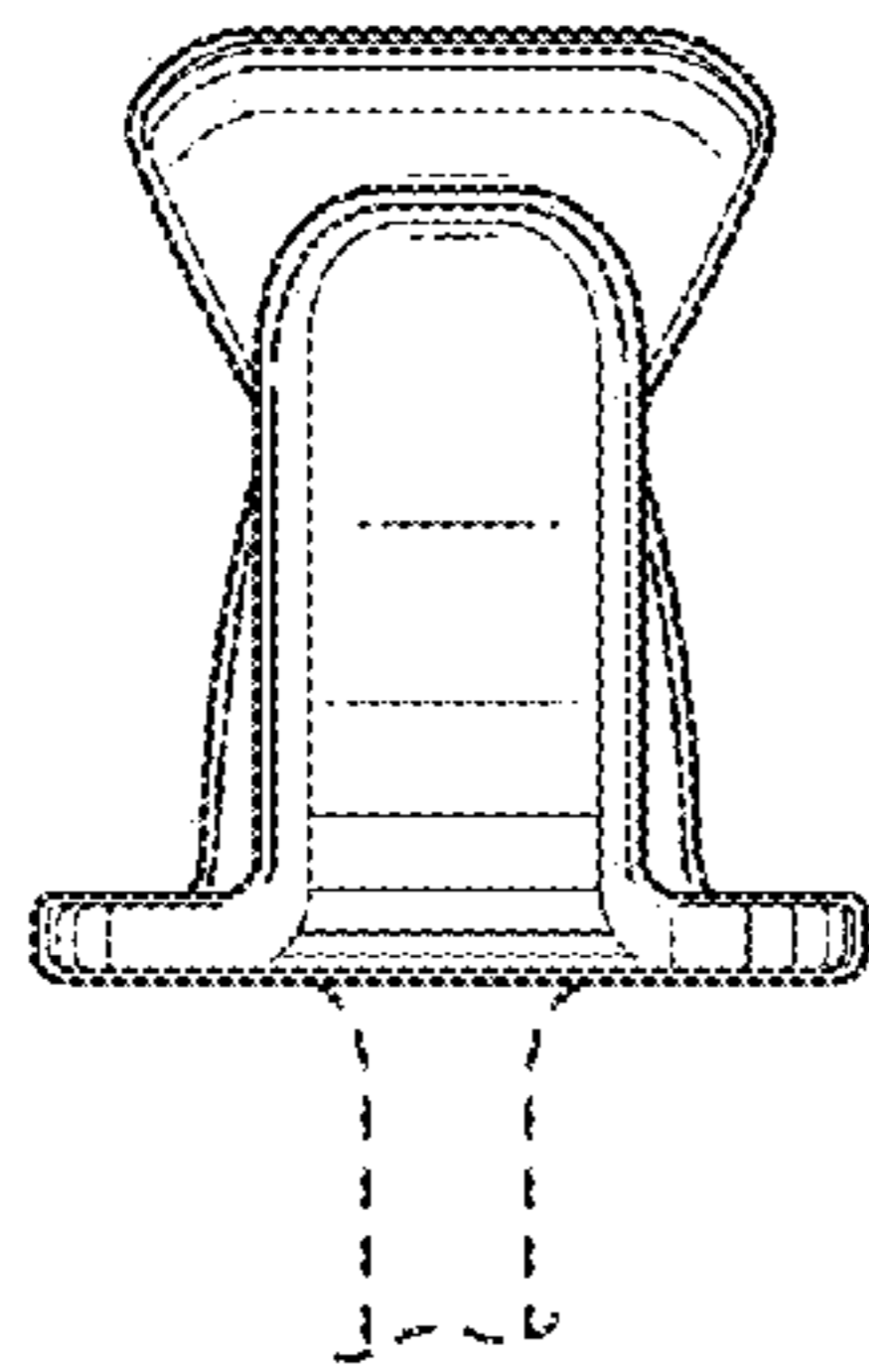


Fig. 7

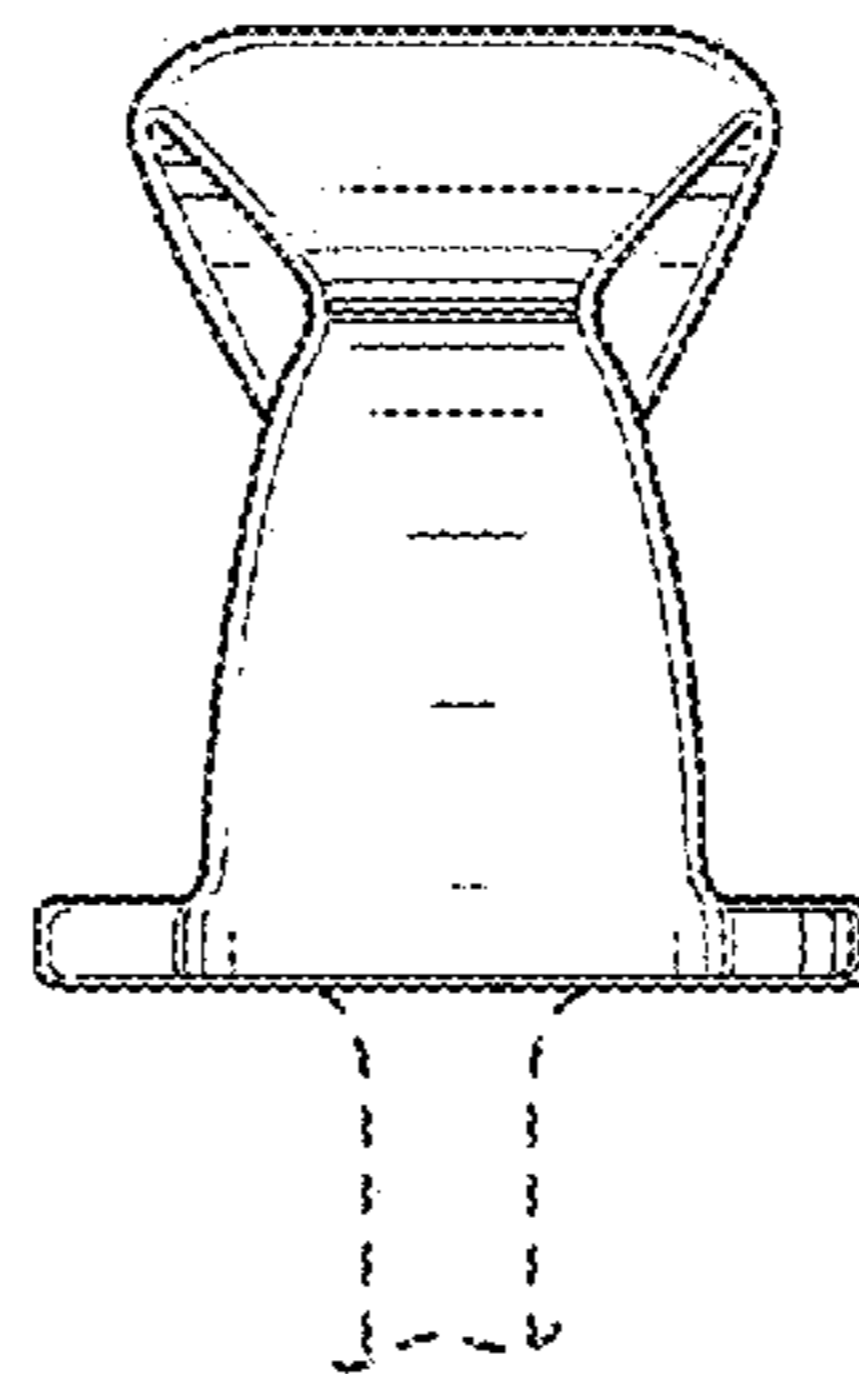


Fig. 8

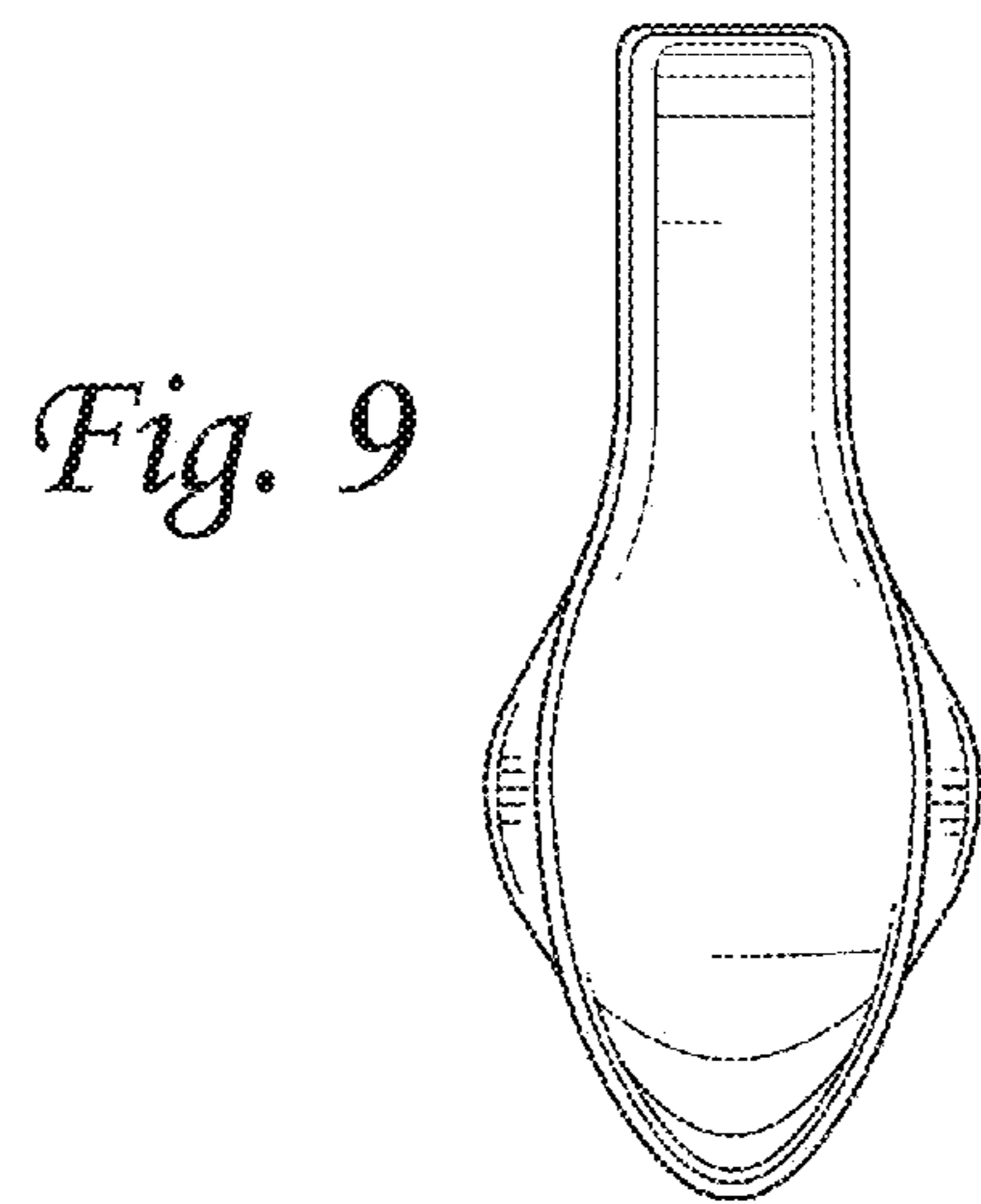


Fig. 9

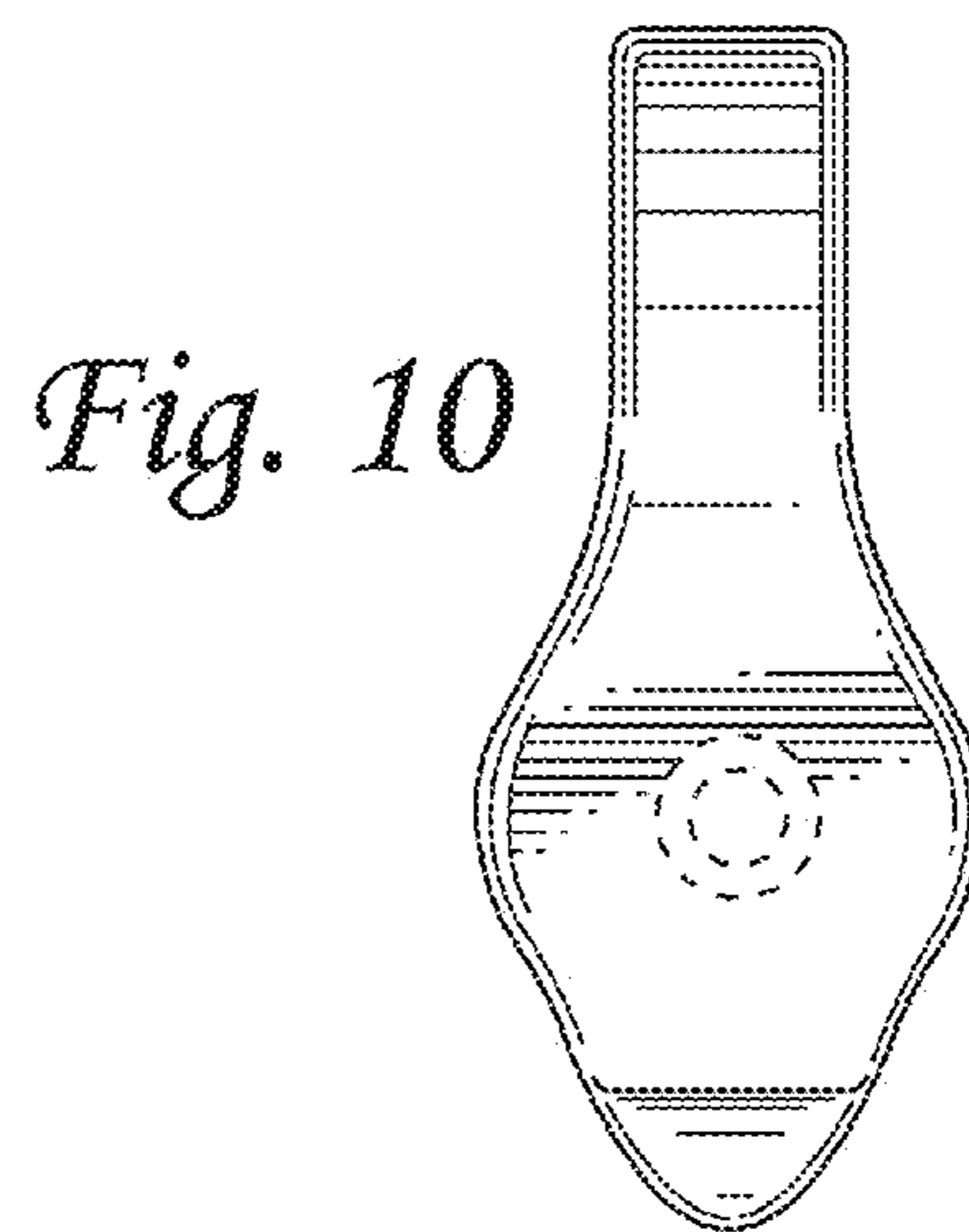


Fig. 10