

US00D695893S

(12) **United States Design Patent**
Rødsten

(10) **Patent No.:** **US D695,893 S**
(45) **Date of Patent:** **** Dec. 17, 2013**

(54) **LEG BAG FOR URINE**
(75) Inventor: **Bob Rødsten**, Kirke Hyllinge (DK)
(73) Assignee: **UROLOGIC ApS**, Skanderborg (DK)
(**) Term: **14 Years**
(21) Appl. No.: **29/368,700**
(22) Filed: **Aug. 27, 2010**

RE33,206 E 5/1990 Conway et al.
4,971,074 A 11/1990 Hrubetz
5,057,094 A * 10/1991 Abbey 604/327
D358,467 S * 5/1995 Davis, Sr. D24/118
5,713,880 A 2/1998 Anderson
5,752,944 A 5/1998 Dann et al.
5,865,821 A * 2/1999 Lowey 604/329
5,935,116 A 8/1999 Kristensen
D424,196 S * 5/2000 Harwell et al. D24/118
6,117,120 A 9/2000 Heininger
7,018,367 B2 * 3/2006 Nava 4/144.3
7,143,768 B2 * 12/2006 Miskie 604/355
7,147,625 B2 * 12/2006 Sarangapani et al. 604/317
7,517,341 B2 * 4/2009 Barrientos 604/317

(30) **Foreign Application Priority Data**
Aug. 11, 2010 (EM) 001742545
(51) **LOC (9) Cl.** **24-02**
(52) **U.S. Cl.**
USPC **D24/122**
(58) **Field of Classification Search**
USPC D24/121–123, 224, 118; D23/274, 302,
D23/295, 309, 200; 4/144.1–144.4, 459,
4/460; 604/329, 317, 318, 334, 323, 327,
604/355; 600/573, 574
See application file for complete search history.

* cited by examiner

Primary Examiner — David Muller
(74) *Attorney, Agent, or Firm* — Ladas & Parry LLP

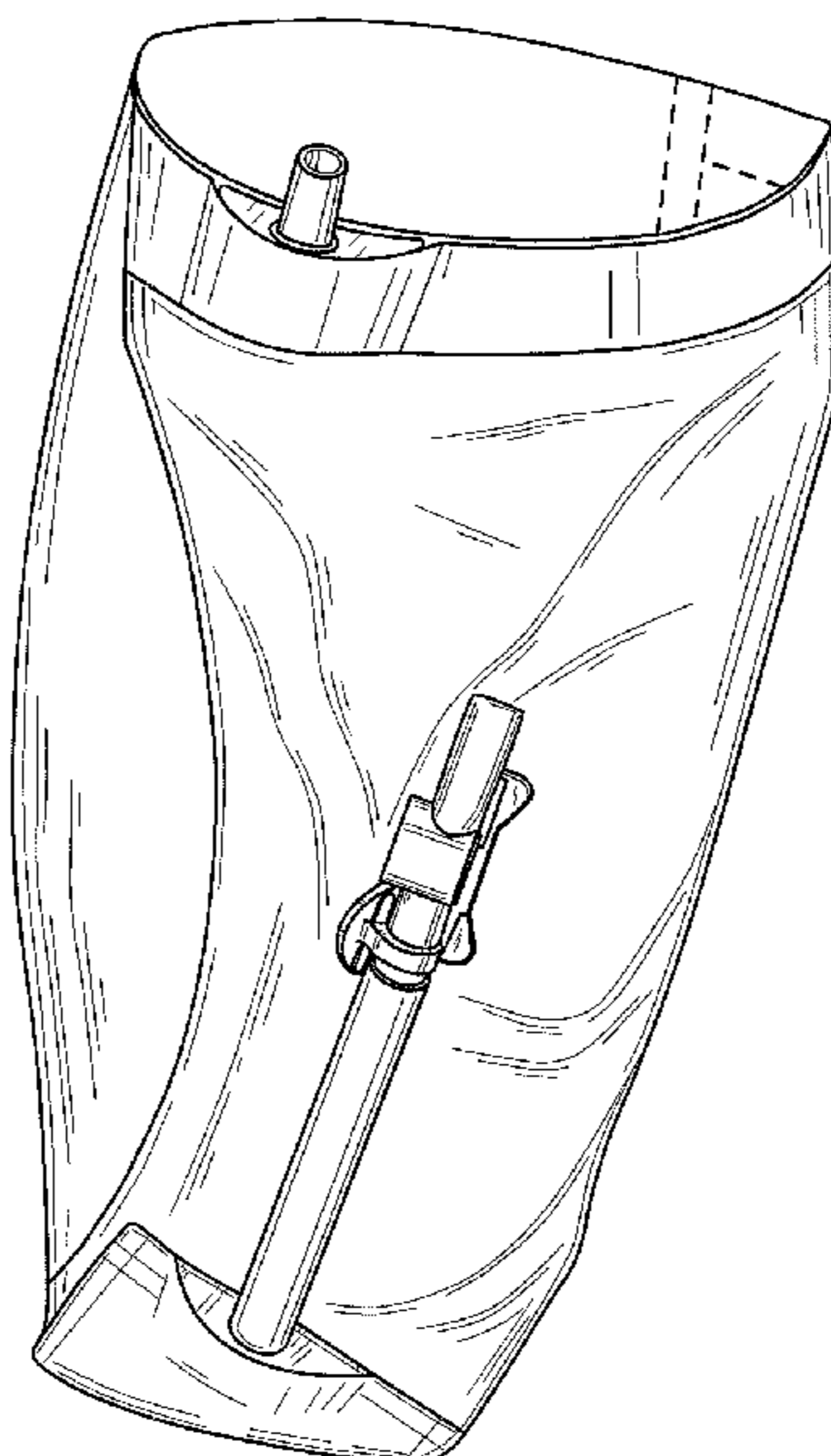
(56) **References Cited**
U.S. PATENT DOCUMENTS
2,816,551 A 12/1957 Raiche
3,353,538 A 11/1967 Carrigan
3,407,507 A 10/1968 Brubaker
3,721,243 A 3/1973 Hesterman et al.
4,106,490 A 8/1978 Spilman et al.
4,421,509 A * 12/1983 Schneider et al. 604/317
4,511,358 A * 4/1985 Johnson et al. D24/118
4,540,409 A 9/1985 Nystrom et al.
D289,797 S * 5/1987 Steer D24/118
4,846,816 A * 7/1989 Manfredi 604/323
D303,841 S * 10/1989 Cawood et al. D24/118

(57) **CLAIM**
The ornamental design for a leg bag for urine, as shown and described.

DESCRIPTION

FIG. 1 is a perspective view from above and to the left of the leg bag for urine which is the subject of my new design; FIG. 2 is a front elevational view thereof; FIG. 3 is a rear elevational view thereof; FIG. 4 is a right side elevational view thereof; FIG. 5 is a left side elevational view thereof; FIG. 6 is a top plan view thereof; and, FIG. 7 is a bottom plan view thereof. The portions shown in dotted lines in FIGS. 1 through 7 are by way of example only and form no part of the claimed design. Specifically, the interior portions of the leg bag form no part of the claimed design.

1 Claim, 6 Drawing Sheets



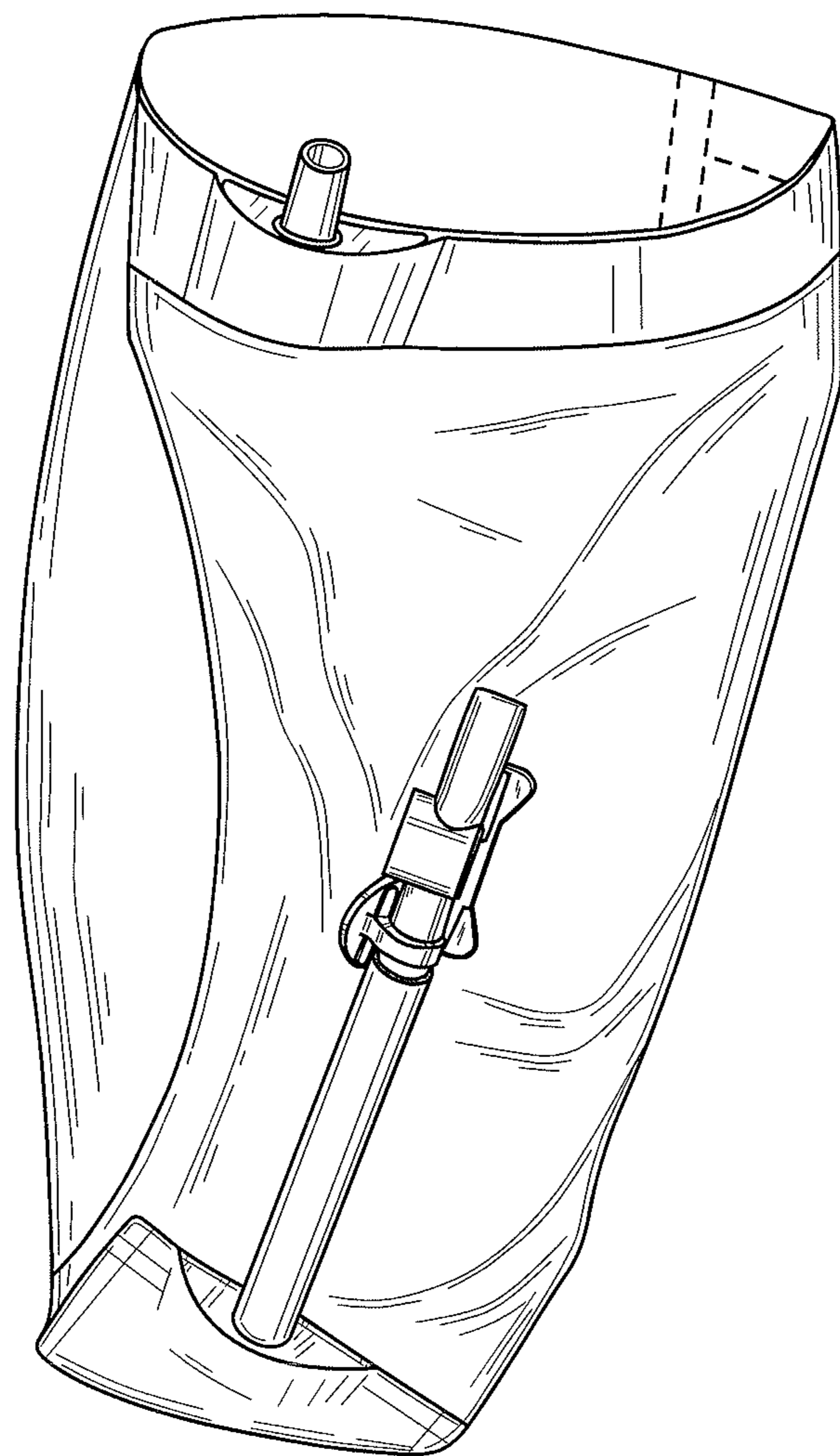


FIG. 1

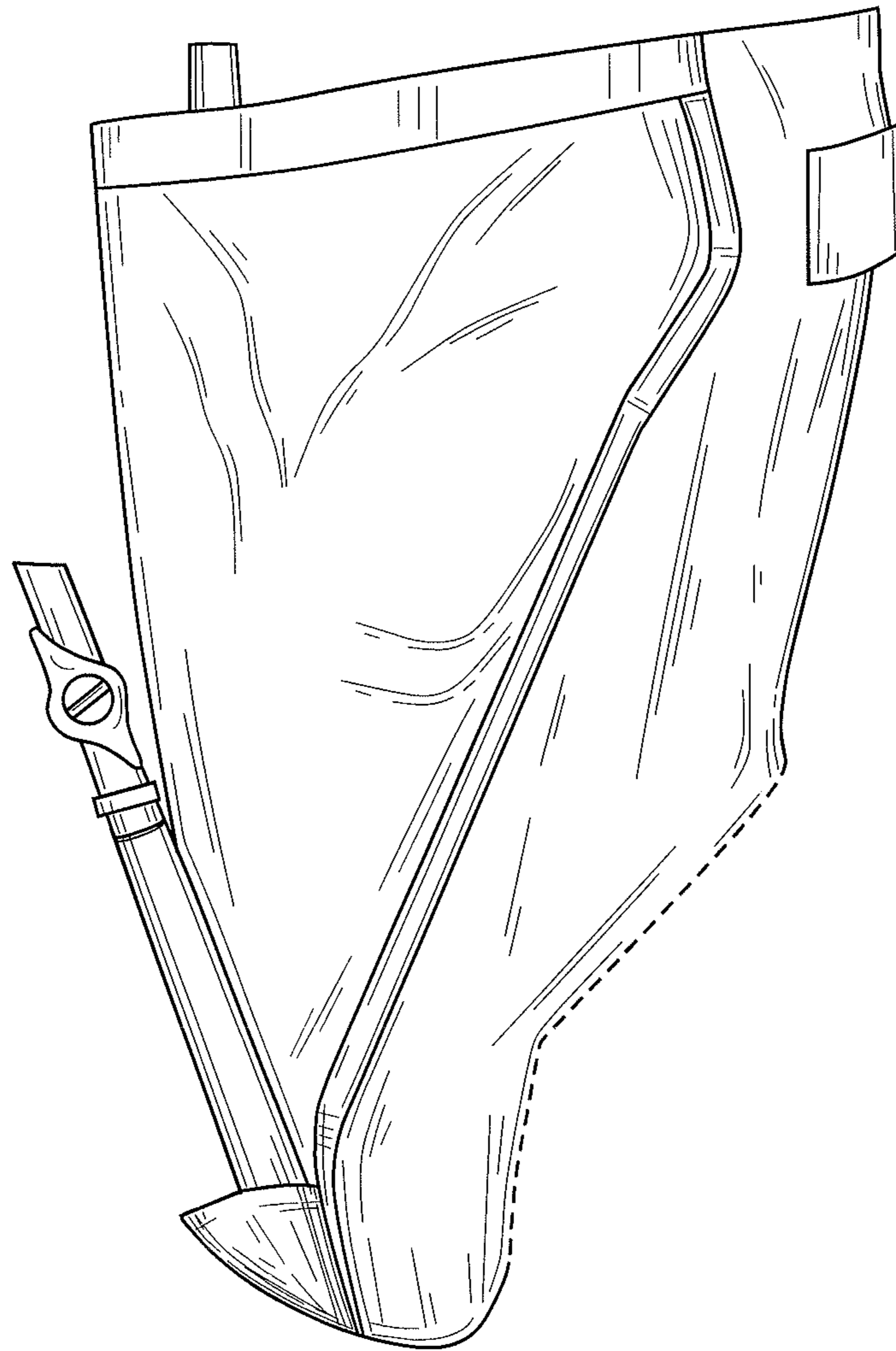


FIG. 2

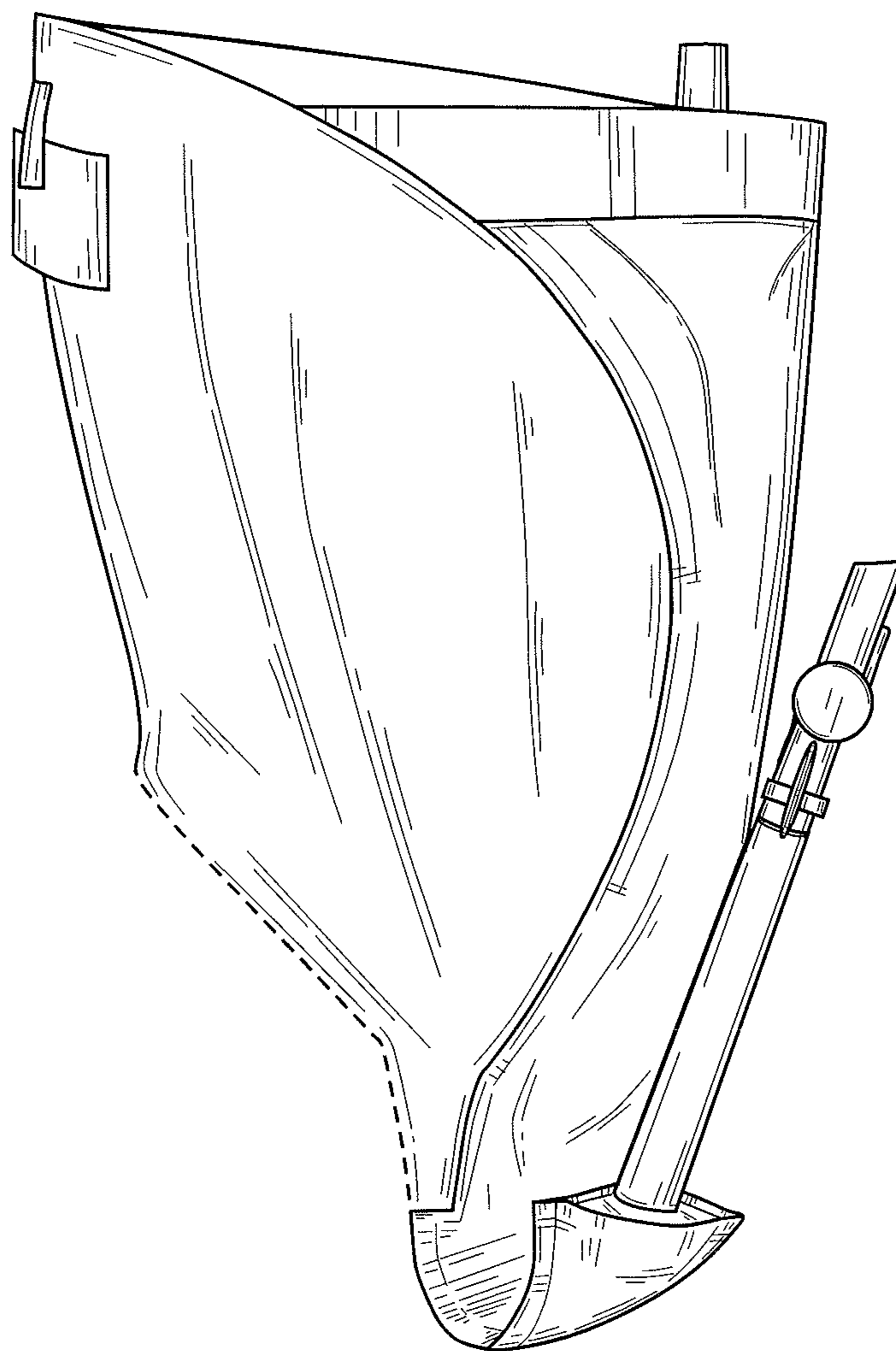


FIG. 3



FIG. 4

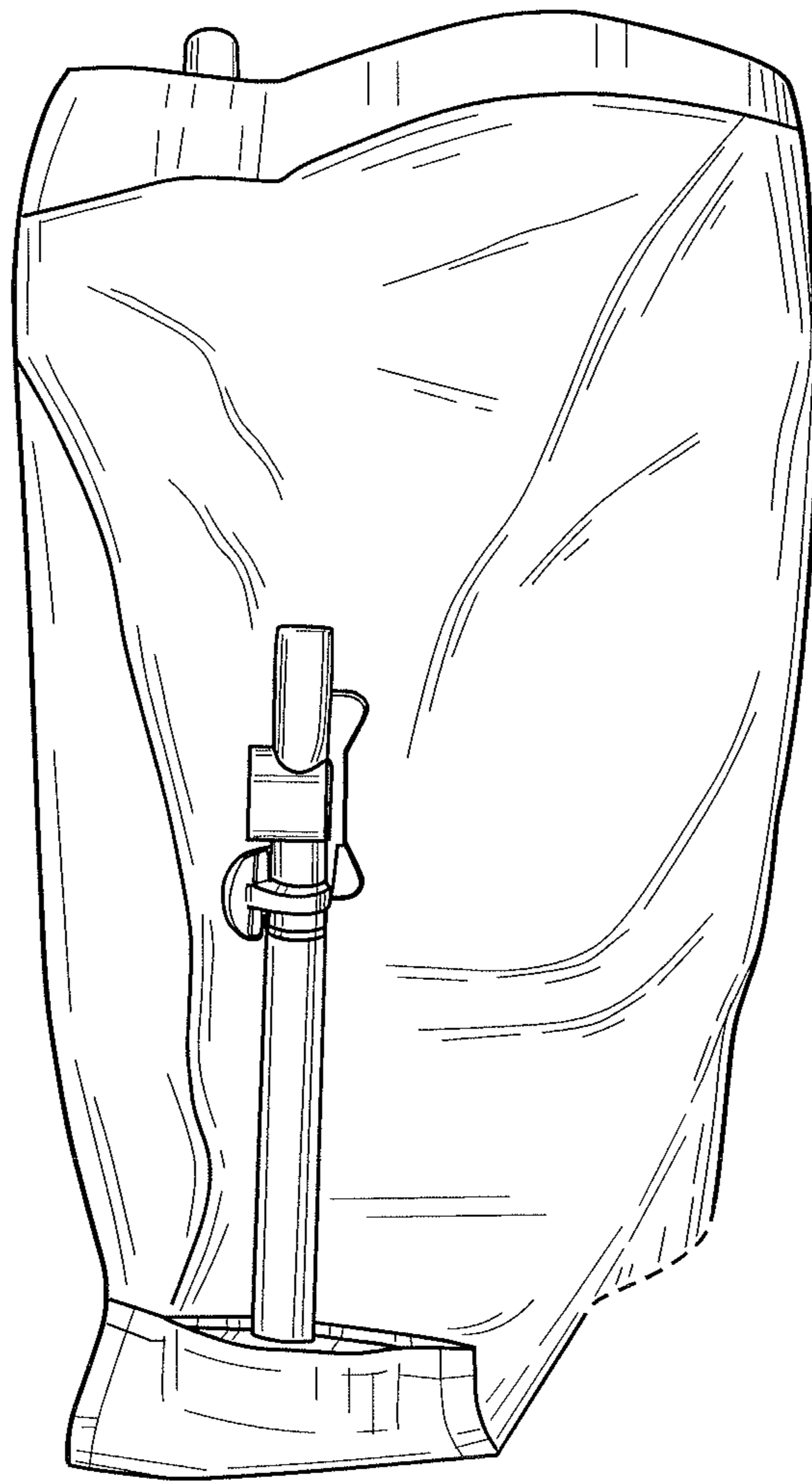


FIG. 5

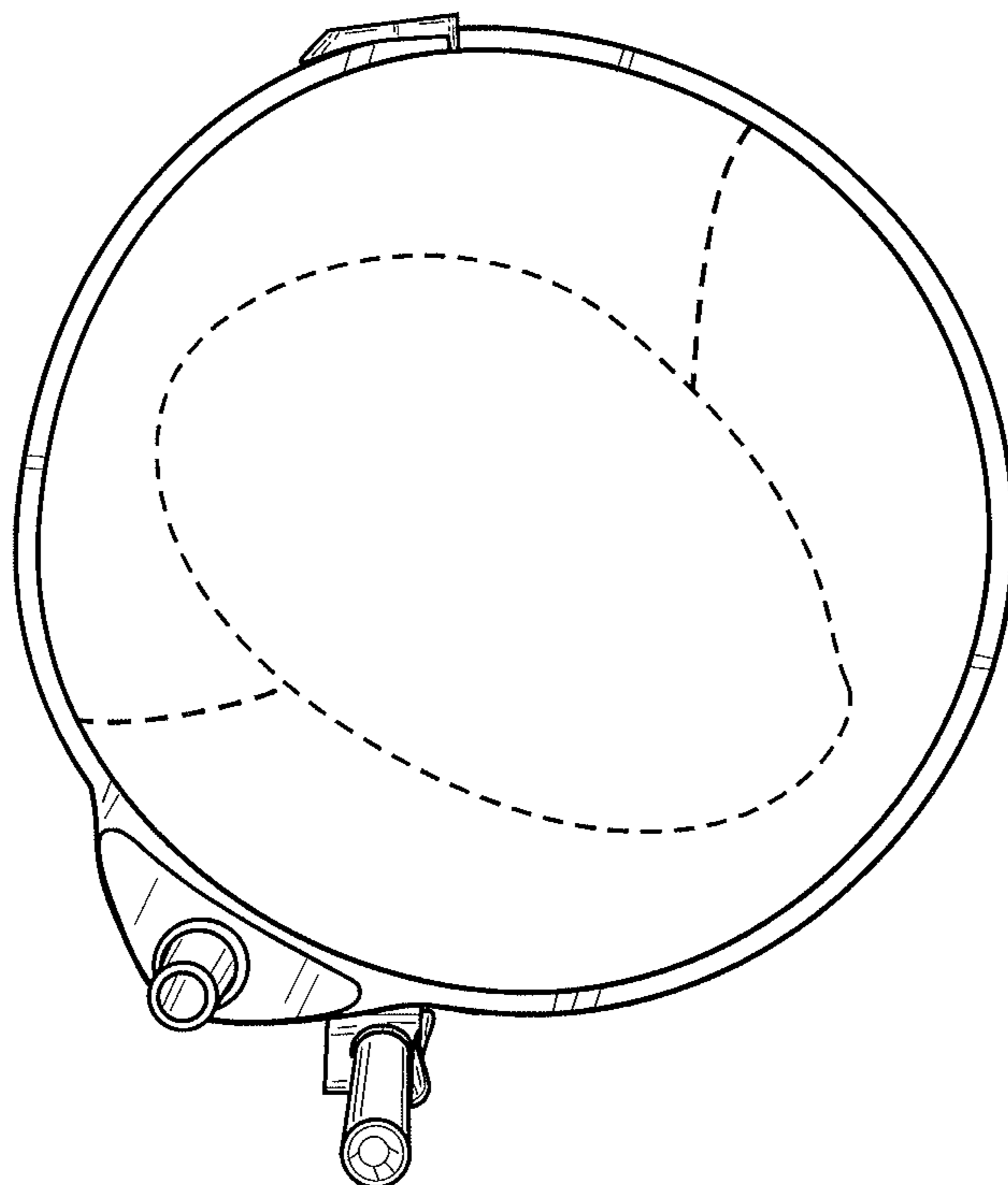


FIG. 6

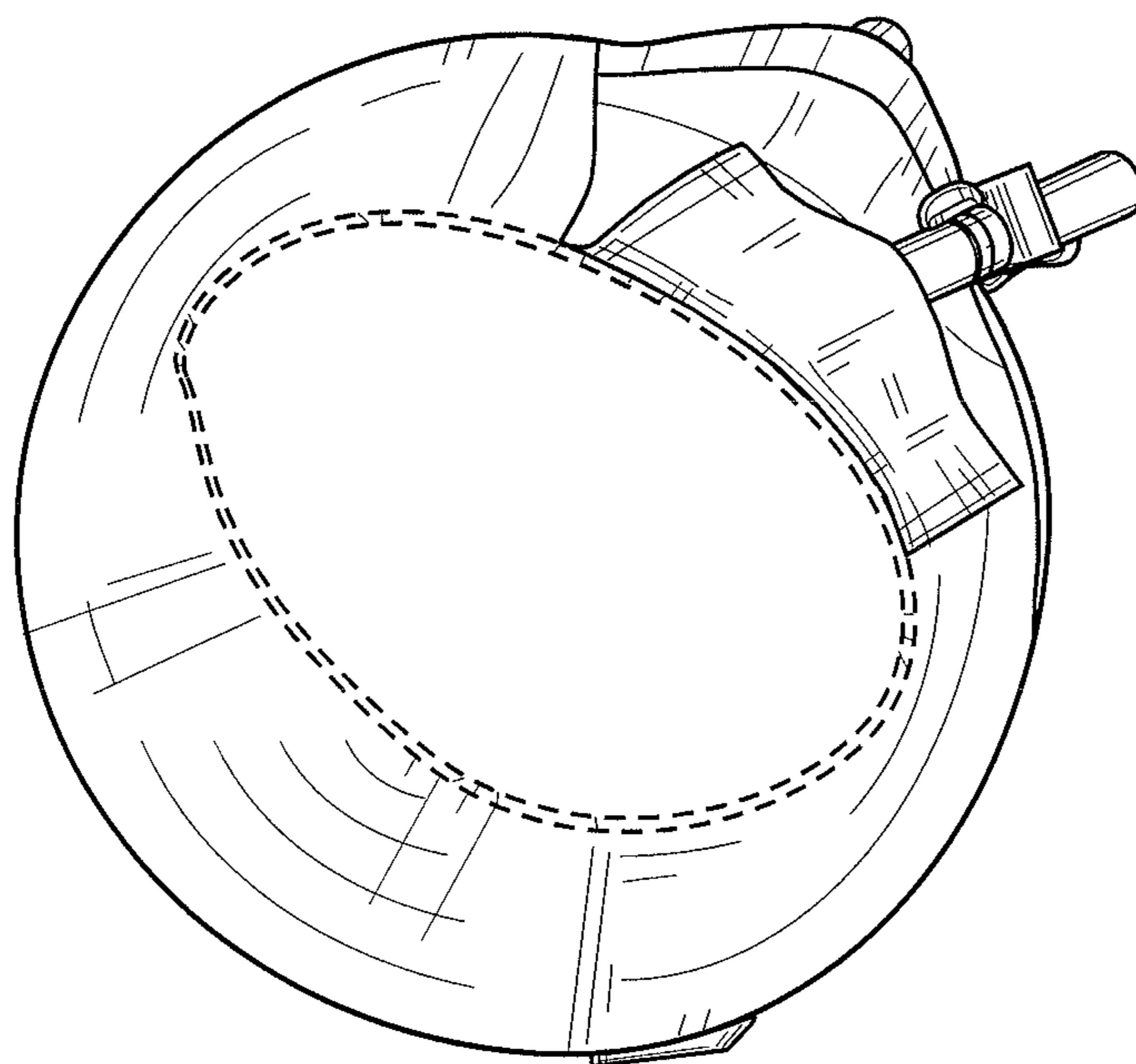


FIG. 7